


ANCESTOR'S VOICE

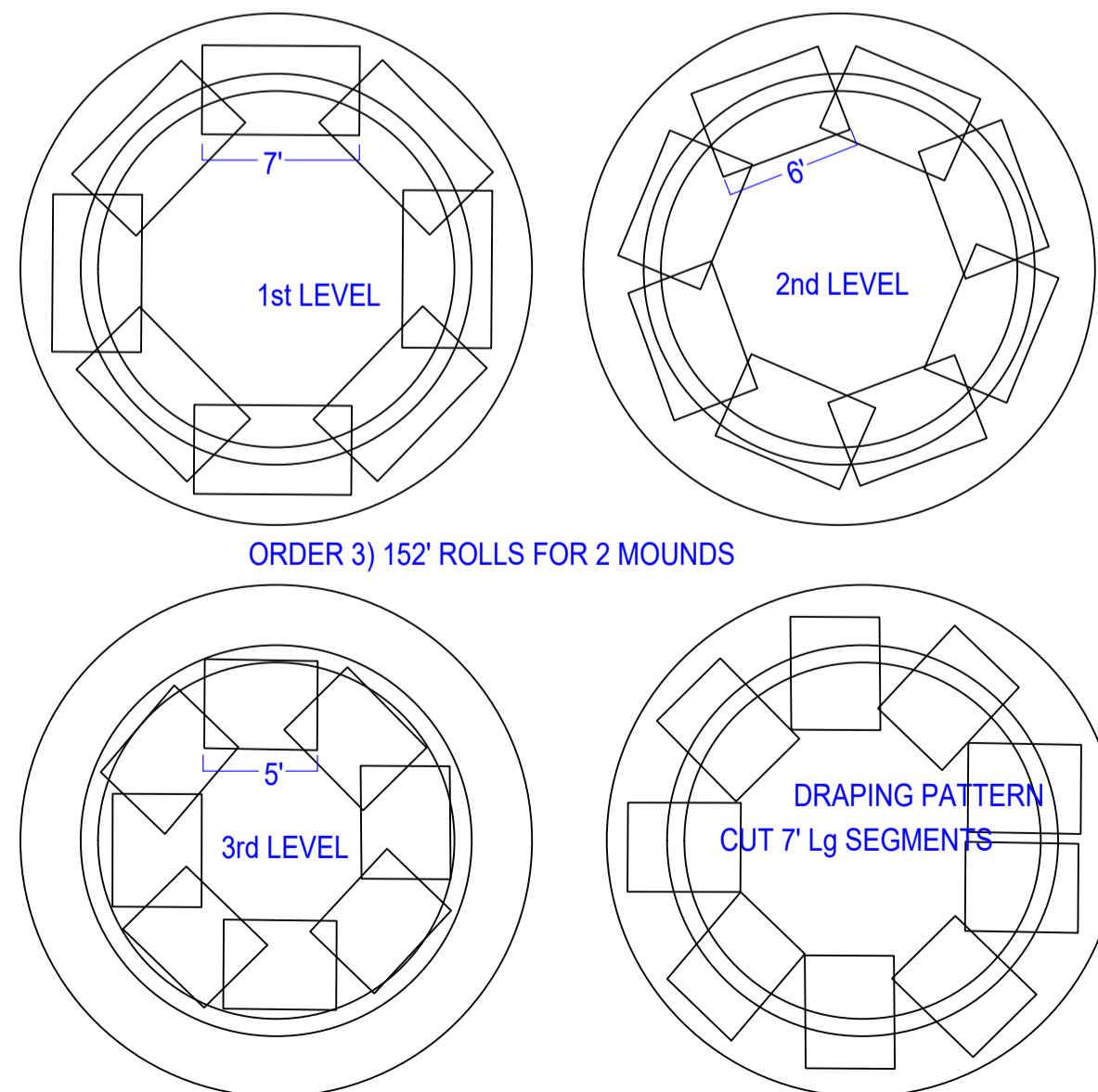
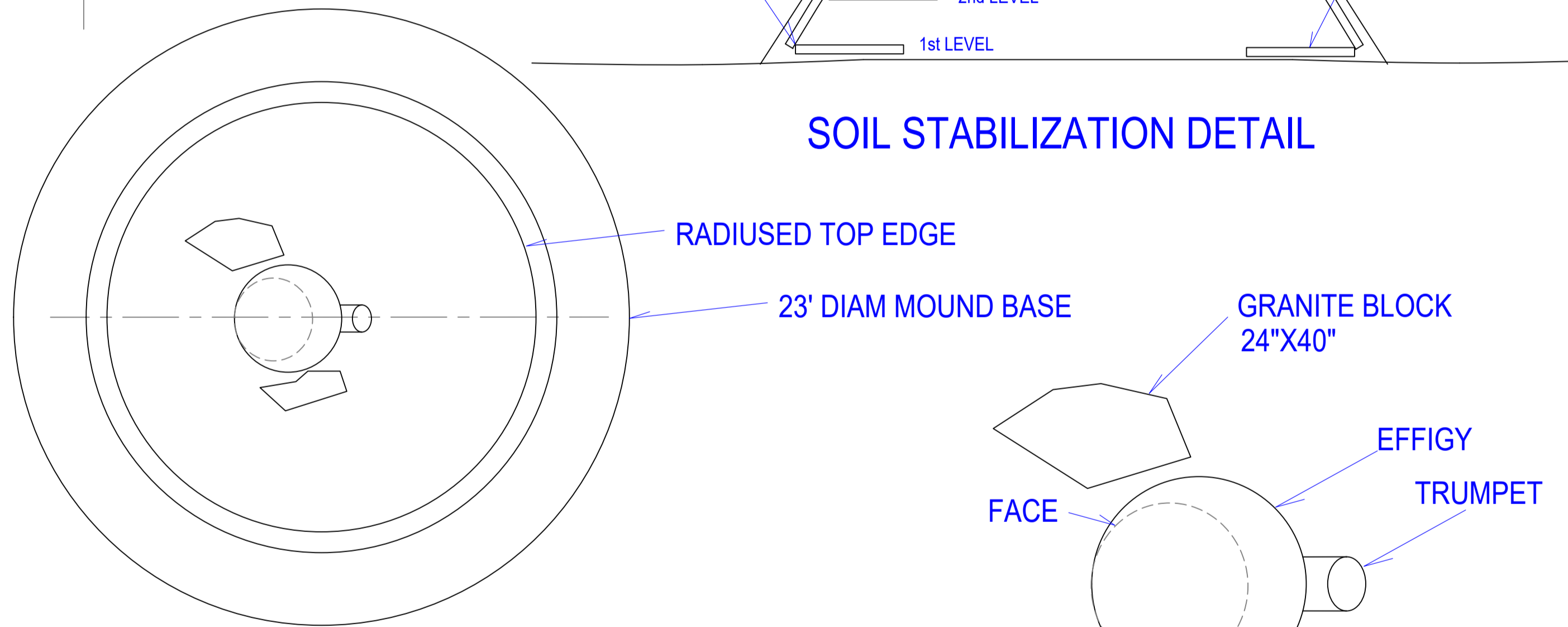
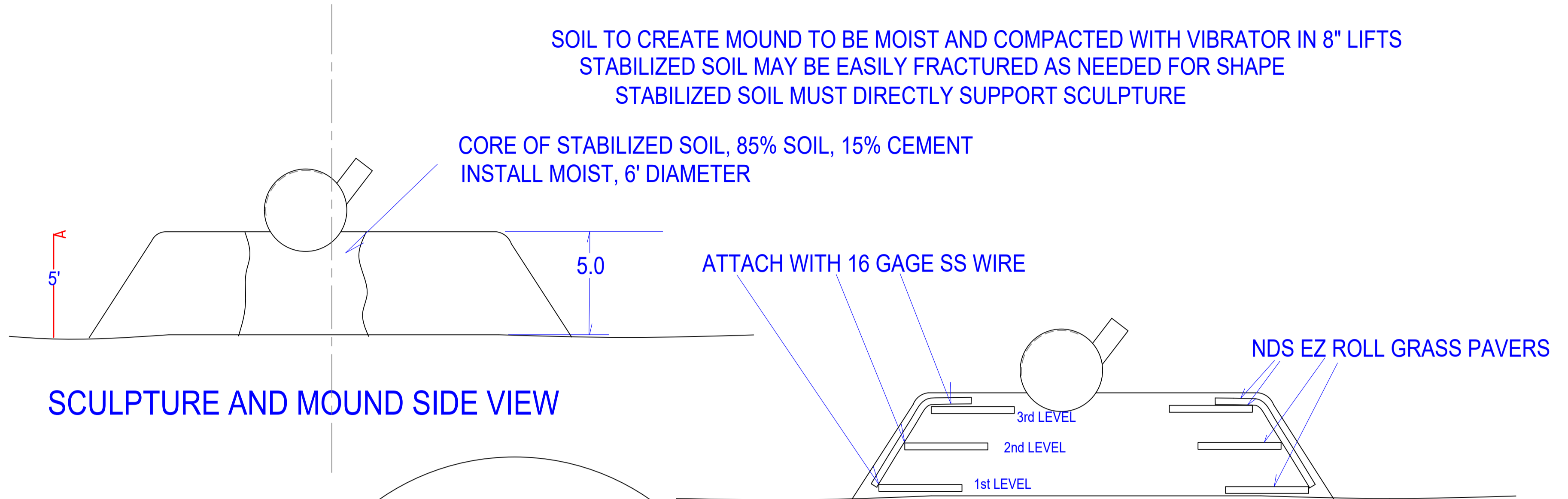


EZ Roll™ Grass Paver

Available in:

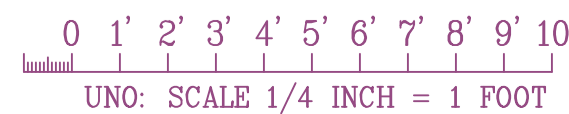
- 3.96 ft. x 24 ft. rolls/ 97 square feet total
- 3.96 ft. x 152 ft. rolls/601.6 square feet total

SOIL TO CREATE MOUND TO BE MOIST AND COMPACTED WITH VIBRATOR IN 8" LIFTS
 STABILIZED SOIL MAY BE EASILY FRACTURED AS NEEDED FOR SHAPE
 STABILIZED SOIL MUST DIRECTLY SUPPORT SCULPTURE



PAVER LAYOUTS

ORDER 3) 152' ROLLS FOR 2 MOUNDS



www.texasengineer.com / www.efsolutions.us / gerard@texasengineer.com / 281-788-7393

PROJECT ADDRESS	WYLIE, TEXAS	DATE	3-18-2024
TITLE	ANCESTOR'S VOICE	DRAWN	GJD
DWG#	S1	SHT	1/2



18X24

3-18-24