

SCHEDULE

N1 - (1) D/F INTERNALLY ILLUMINATED MONUMENT SIGN



Wolfforth

508 East US-62
Wolfforth Tx.



12226 Coast Drive
Whittier, CA 90601
Tel: (562) 946-7545
Fax: (562) 949-5707
St. Lic.: 894662
www.fusionsign.com
Los Angeles, CA



Wolfforth

DRAWING/REVISION NO.:

07-25-0044

PAGE NO.:

1 OF 5

CLIENT:

Wolfforth

ADDRESS

508 East US-62
Wolfforth Tx.

Approval Signature

DATE:

08/11/2025

PROJECT MANAGER

Dan I.

DESIGNER:

Jake P.

REVISION DATE:

REVISION BY:

ALL IDEAS, PLANS, AND ELECTRONIC ART INDICATED ON THIS DRAWING ARE COPYRIGHTED AND OWNED BY FUSION SIGN AND DESIGN AND SHALL NOT BE REPRODUCED, USED BY OR DISCLOSED TO ANY PERSONS, FIRM OR CORPORATION FOR ANY PURPOSE WHATSOEVER WITHOUT PERMISSION OF FUSION SIGN AND DESIGN.

SIGN CODE

ALLOWABLE SQ. FT.

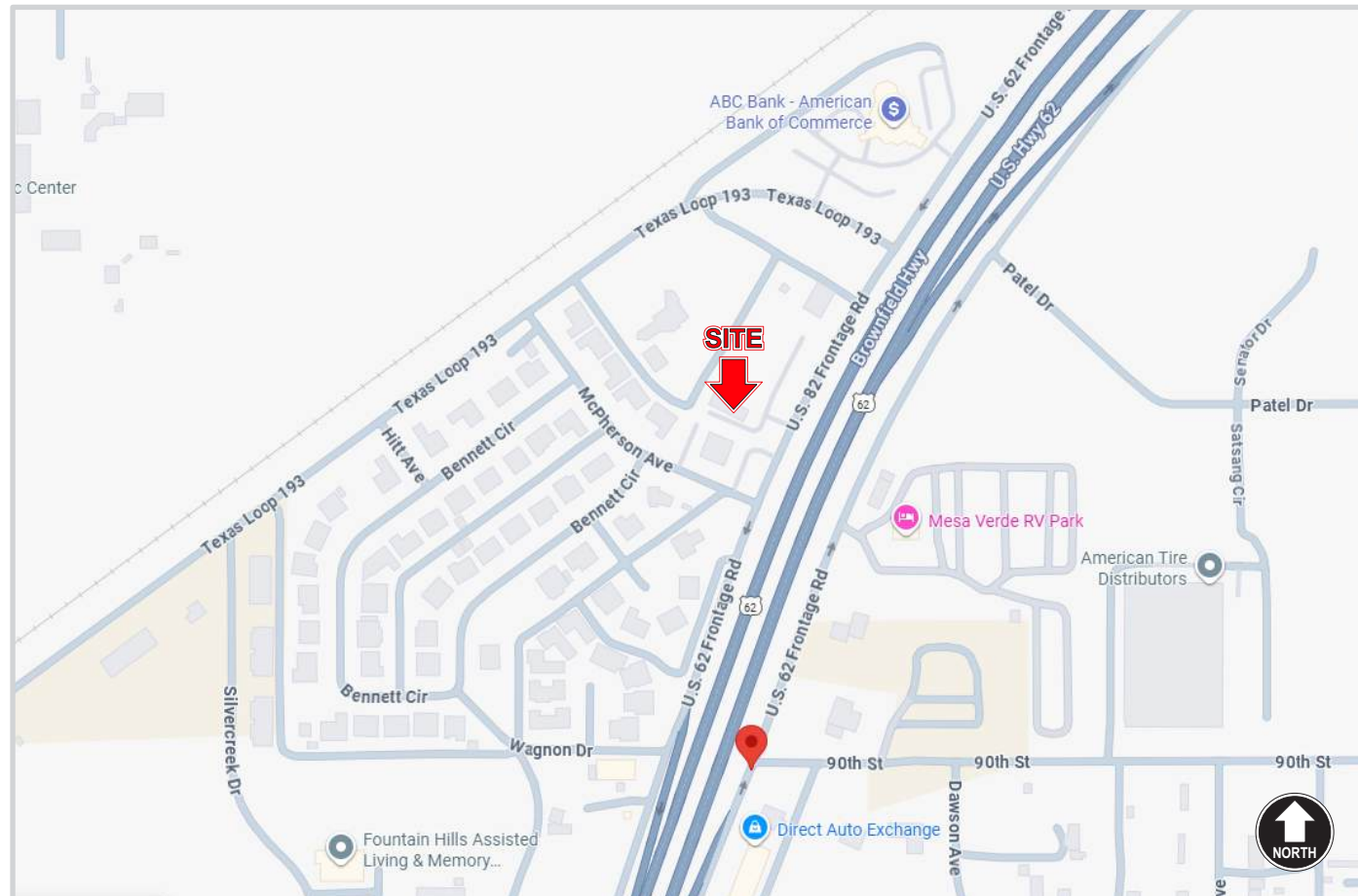
PROPOSED SQ. FT.

LEGEND

- N1 NEW PROPOSED
- R1 EXISTING SIGN TO BE REPLACED
- X1 EXISTING SIGN TO BE REMOVED
- S1 EXISTING SIGN TO REMAIN

APPROVAL

X	Title	Date



VICINITY MAP

NOT TO SCALE



AERIAL PHOTO / SITE PLAN

NOT TO SCALE



DRAWING/REVISION NO.:

07-25-0044

PAGE NO.:

2 OF 5

CLIENT:

Wolfforth

ADDRESS

508 East US-62
Wolfforth Tx.

Approval Signature

DATE:

08/11/2025

PROJECT MANAGER

Dan I.

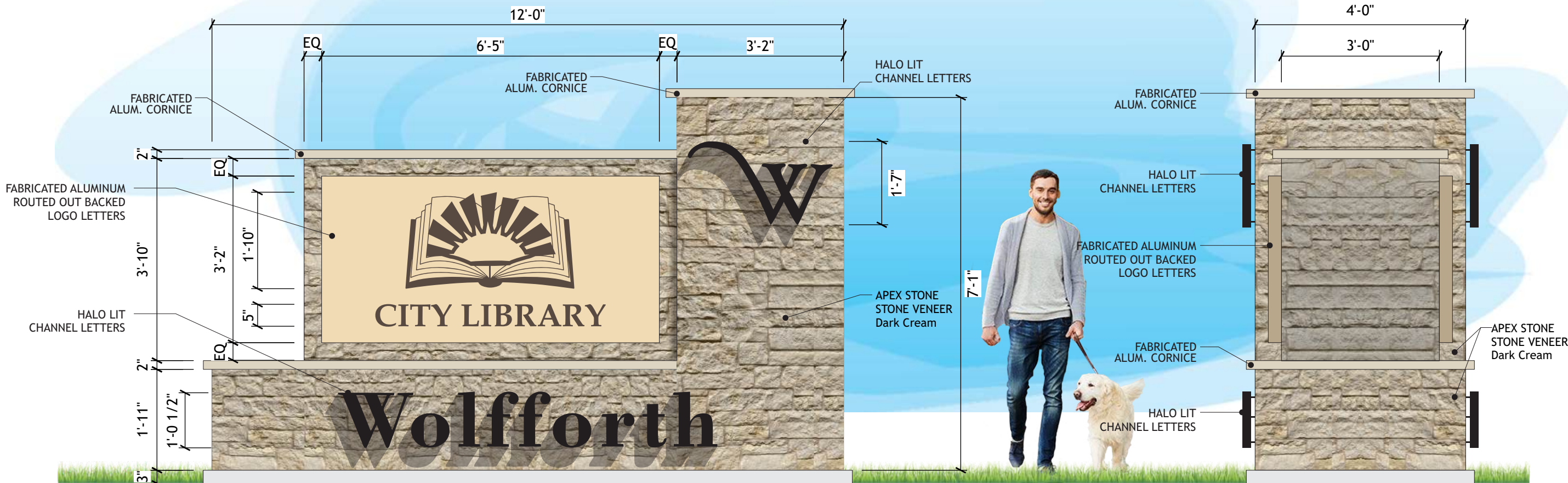
DESIGNER:

Jake P.

REVISION DATE:

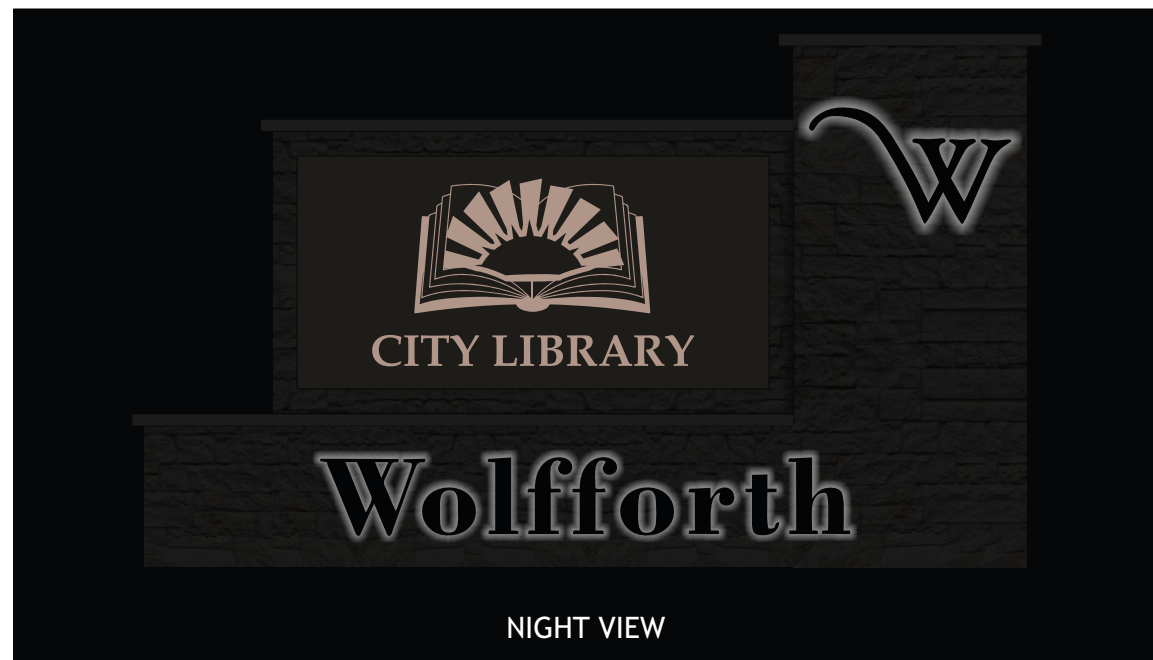
REVISION BY:

ALL IDEAS, PLANS, AND ELECTRONIC ART INDICATED ON THIS DRAWING ARE COPYRIGHTED AND OWNED BY FUSION SIGN AND DESIGN AND SHALL NOT BE REPRODUCED, USED BY OR DISCLOSED TO ANY PERSONS, FIRM OR CORPORATION FOR ANY PURPOSE WHATSOEVER WITHOUT PERMISSION OF FUSION SIGN AND DESIGN.



N1 MONUMENT SIGN

Scale: 1/2" = 1'-0"





DRAWING/REVISION NO.:

07-25-0044

PAGE NO.:

3 OF 5

CLIENT:

Wolfforth

ADDRESS

508 East US-62
Wolfforth Tx.

Approval Signature

DATE:

08/11/2025

PROJECT MANAGER

Dan I.

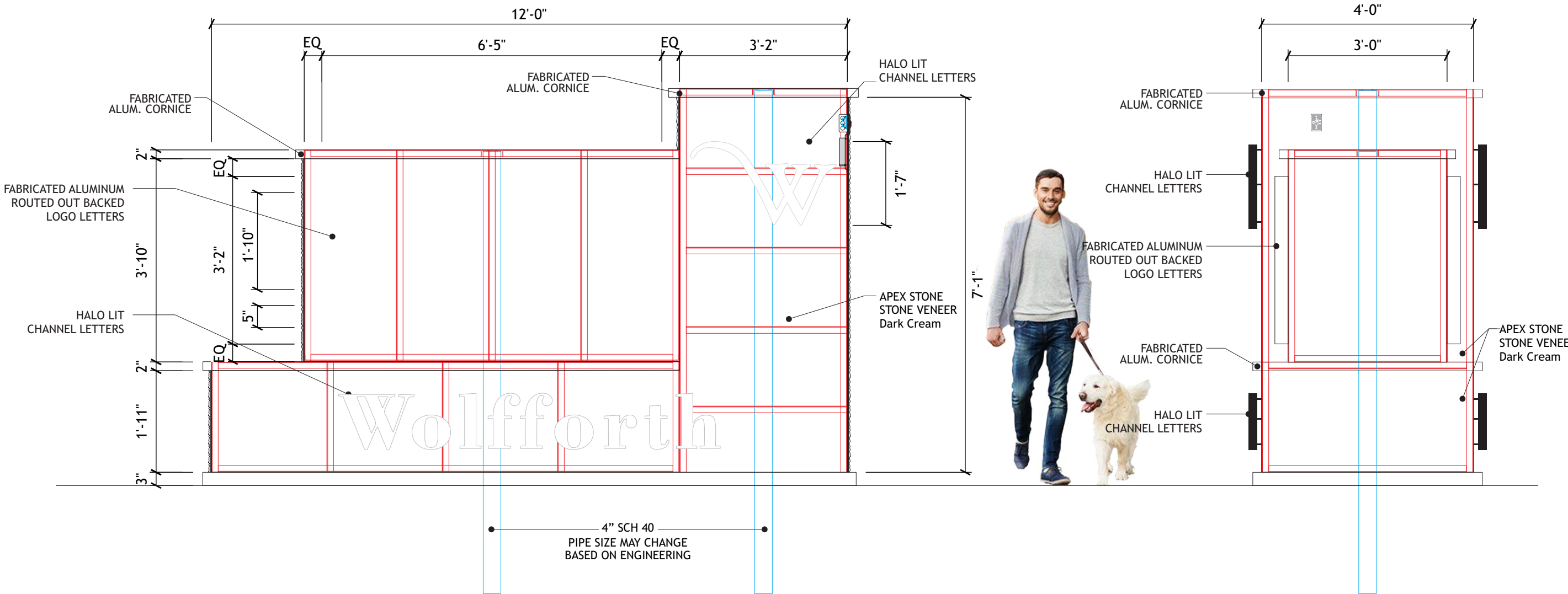
DESIGNER:

Jake P.

REVISION DATE:

REVISION BY:

ALL IDEAS, PLANS, AND ELECTRONIC ART INDICATED ON THIS DRAWING ARE COPYRIGHTED AND OWNED BY FUSION SIGN AND DESIGN AND SHALL NOT BE REPRODUCED, USED BY OR DISCLOSED TO ANY PERSONS, FIRM OR CORPORATION FOR ANY PURPOSE WHATSOEVER WITHOUT PERMISSION OF FUSION SIGN AND DESIGN.



MONUMENT SIGN

Scale: 3/8" = 1'-0"



DRAWING/REVISION NO.:

07-25-0044

PAGE NO.:

4 OF 5

CLIENT:

Wolfirth

ADDRESS

508 East US-62
Wolfirth Tx.

Approval Signature

DATE:

08/11/2025

PROJECT MANAGER

Dan I.

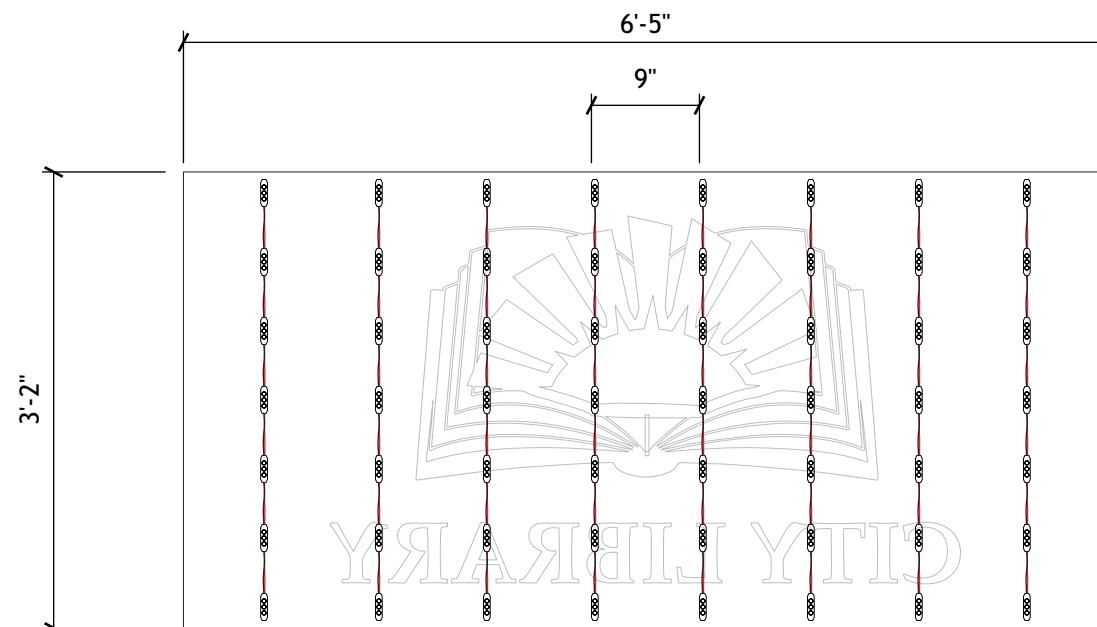
DESIGNER:

Jake P.

REVISION DATE:

REVISION BY:

ALL IDEAS, PLANS, AND ELECTRONIC ART INDICATED ON THIS DRAWING ARE COPYRIGHTED AND OWNED BY FUSION SIGN AND DESIGN AND SHALL NOT BE REPRODUCED, USED BY OR DISCLOSED TO ANY PERSONS, FIRM OR CORPORATION FOR ANY PURPOSE WHATSOEVER WITHOUT PERMISSION OF FUSION SIGN AND DESIGN.



LED DETAIL

QTY: 2

SCALE: 3/4" = 1'-0"

ELECTRICAL SPECIFICATIONS:

- (56) WHITE LED MODULES @ 1W EA= 36.W TOTAL
- (1) 12V 60W POWER SUPPLIES @ 1.2 AMPS EA.
- (1) CUSTOMER PROVIDED 120V/20A/60HZ DEDICATED CIRCUIT REQUIRED

**TOTAL CIRCUIT LOAD:
1.2 AMPS @ 120 VAC**

GENERAL NOTES:

- 1.) INSTALLATION OF THIS SIGN SHALL CONFORM TO THE REQUIREMENTS OF ARTICLE 600 OF NEC, UL48 AND/OR OTHER APPLICABLE LOCAL CODES.
- 2.) BRANCH CIRCUIT:
 - A.) ALL BRANCH CIRCUITS FOR SIGNS MUST BE TOTALLY DEDICATED TO SIGNS (INCLUDING DEDICATED GROUND AND DEDICATED NEUTRAL PER CIRCUIT).
 - B.) SIGN CIRCUITS MUST NOT BE SHARED WITH OTHER LOADS SUCH AS LIGHTING, AIR CONDITIONING AND OTHER EQUIPMENT.
 - C.) PROPERTY SIZED GROUND WIRE THAT CAN BE TRACKED TO THE BREAKER PANEL MUST BE PROVIDED.
- 3.) U.L. AND DATA LABELS REQUIRED
- 4.) SIGN SATISFIES ALL REQUIREMENTS OF TITLE 24.
- 5.) OUTDOOR SIGNAGE TO EMPLOY EITHER PHOTOCCELL OR OUTDOOR ASTRONOMICAL TIMER



ELECTRIC SIGN SECTION

THIS SIGN IS INTENDED TO BE INSTALLED IN ACCORDANCE WITH THE REQUIREMENTS OF ARTICLE 600 OF THE NATIONAL ELECTRICAL CODE AND/OR OTHER APPLICABLE LOCAL CODES.

THIS INCLUDES PROPER GROUNDING AND BONDING OF THE SIGN.

NOTES:

ELECTRICAL COMPONENTS TO BE UL LISTED AND INSTALLED IN ACCORDANCE WITH THE NATIONAL ELECTRIC CODE (NEC)

ALL WIRING SHALL BE 12 GA

(1) 20 AMP-120V CIRCUIT TO BE BROUGHT TO JOB SITE BY LICENCED ELECTRICIAN.

ALL SIGNAGE WILL BE UL2161 COMPLIANT AND CARRY UL LABELS.



DRAWING/REVISION NO.:
07-25-0044

PAGE NO.:
5 OF 5

CLIENT:
Wolfforth

ADDRESS:
508 East US-62
Wolfforth Tx.

Approval Signature

DATE:
08/11/2025

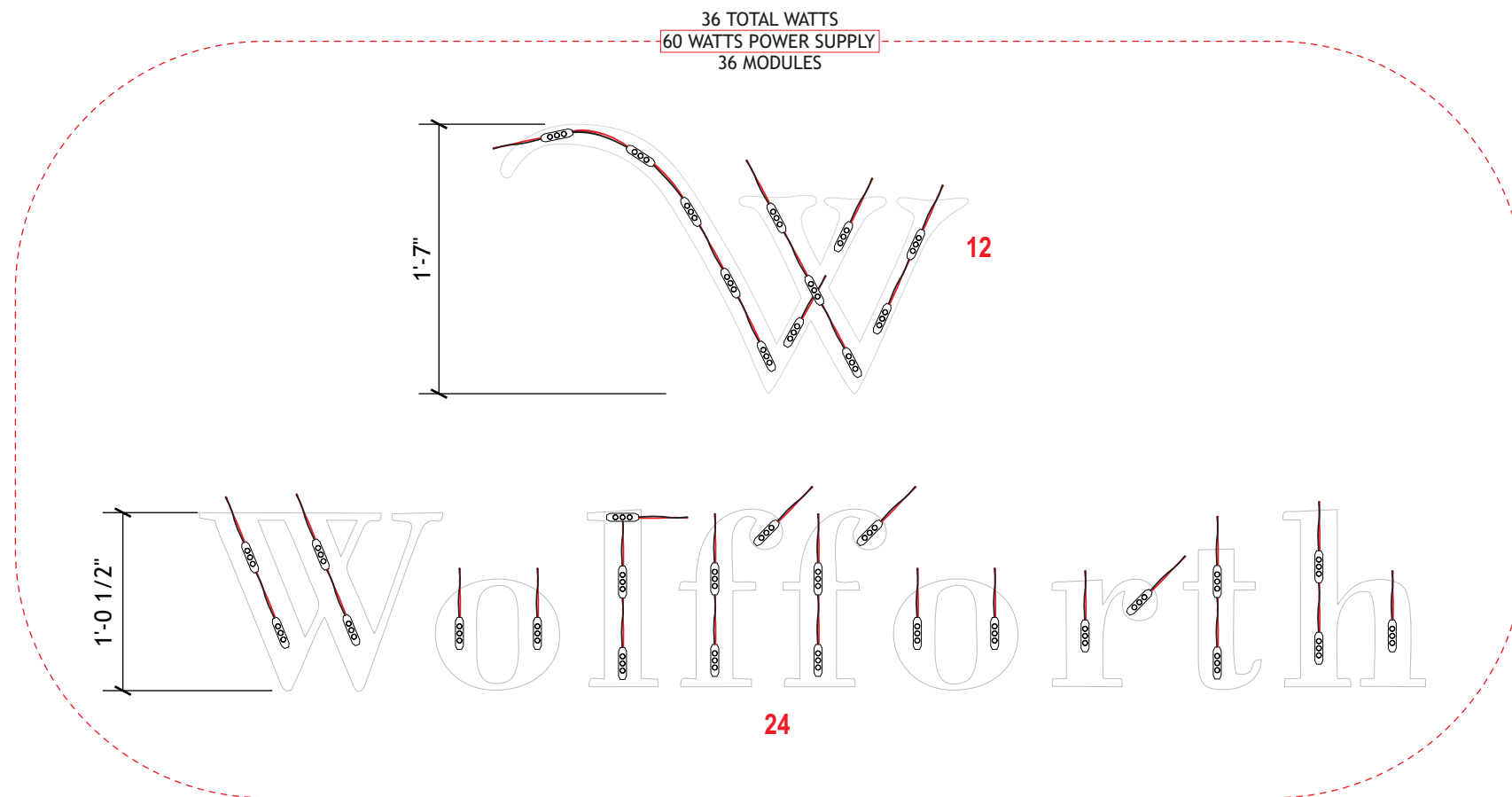
PROJECT MANAGER:
Dan I.

DESIGNER:
Jake P.

REVISION DATE:

REVISION BY:

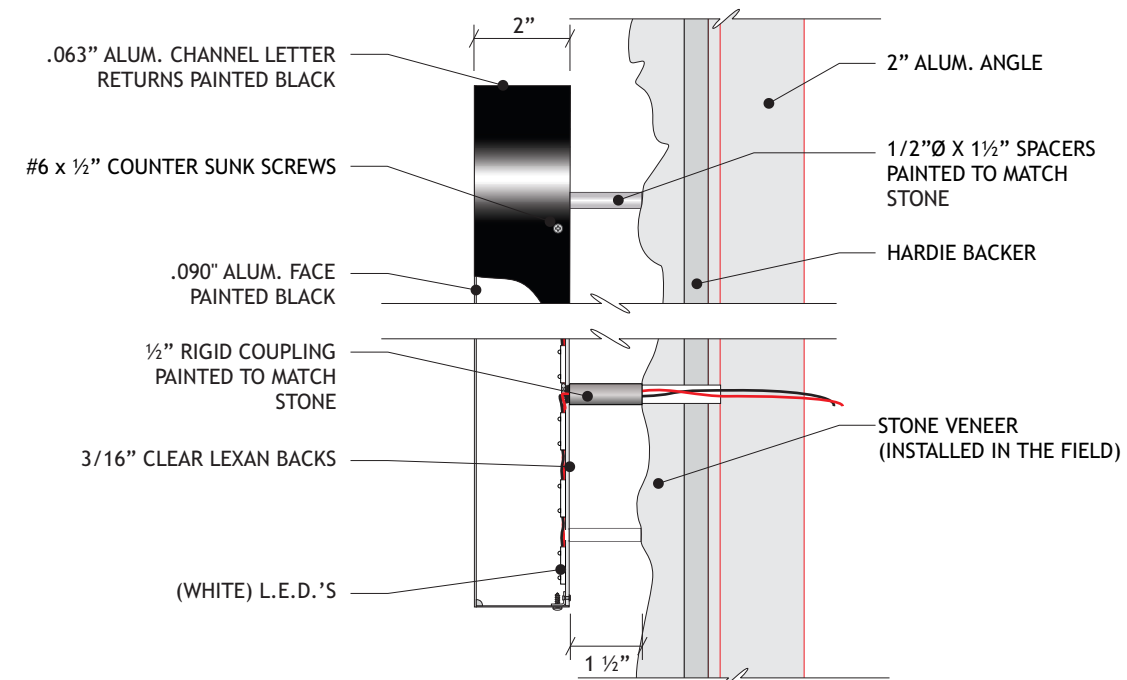
ALL IDEAS, PLANS, AND ELECTRONIC ART INDICATED ON THIS DRAWING ARE COPYRIGHTED AND OWNED BY FUSION SIGN AND DESIGN AND SHALL NOT BE REPRODUCED, USED BY OR DISCLOSED TO ANY PERSONS, FIRM OR CORPORATION FOR ANY PURPOSE WHATSOEVER WITHOUT PERMISSION OF FUSION SIGN AND DESIGN.



LED DETAIL

QTY: 2
SCALE: 1" = 1'-0"

ELECTRICAL SPECIFICATIONS:
(36) WHITE LED MODULES @ 1W EA= 36.W TOTAL
(1) 12V 60W POWER SUPPLIES @ 1.2 AMPS EA.
(1) CUSTOMER PROVIDED 120V/20A/60HZ DEDICATED CIRCUIT REQUIRED
**TOTAL CIRCUIT LOAD:
1.2 AMPS @ 120 VAC**



SECTION DETAIL (REVERSE HALO LIT CHANNEL LETTERS)

Scale: 3/8" = 1'-0"