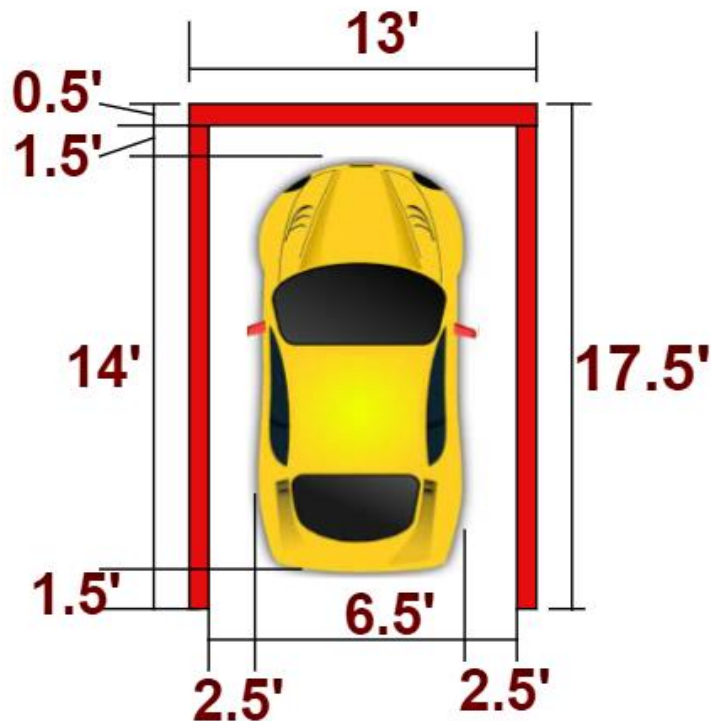


Texas Transportation Code Section 545.302

Stopping, Standing, or Parking Prohibited in Certain Places

(a) An operator may not stop, stand, or park a vehicle:

- (1)** on the roadway side of a vehicle stopped or parked at the edge or curb of a street;
- (2)** on a sidewalk;
- (3)** in an intersection;
- (4)** on a crosswalk;
- (5)** between a safety zone and the adjacent curb or within 30 feet of a place on the curb immediately opposite the ends of a safety zone, unless the governing body of a municipality designates a different length by signs or markings;
- (6)** alongside or opposite a street excavation or obstruction if stopping, standing, or parking the vehicle would obstruct traffic;
- (7)** on a bridge or other elevated structure on a highway or in a highway tunnel;
- (8)** on a railroad track; or
- (9)** where an official sign prohibits stopping.



Car parking space