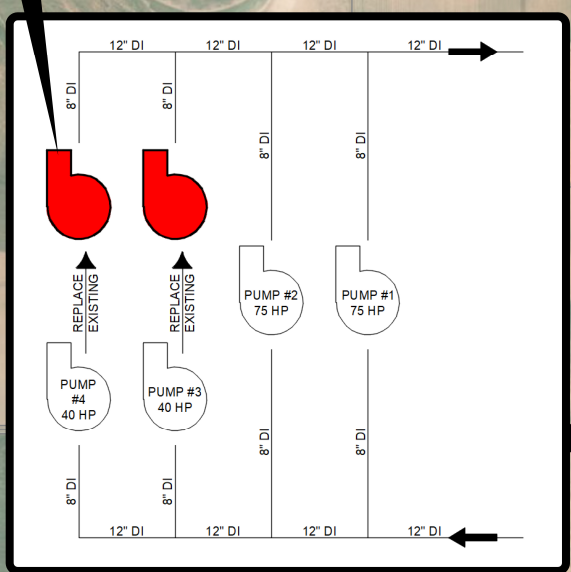


LOOP 88 NORTH WATER SUPPLY  
CAPACITY: 2.0 MGD  
COST: \$3,000,000  
YEAR: 2025-2026

PUMP STATION UPGRADES  
& ELECTRICAL IMPROVEMENTS  
CAPACITY: +450 GPM  
COST: \$229,500  
YEAR: 2023



LUBBOCK NORTH INTERCONNECT  
SUPPLY: 0.50 MGD  
COST: \$3,000,000  
YEAR: 2024-2026

LOOP 88 EAST WATER SUPPLY  
CAPACITY: 1.0 MGD  
COST: \$1,000,000  
YEAR: 2024

EXISTING 0.3 MG EST (TANK 3)

PROPOSED 12-INCH TANK 3 FILL LINE  
LENGTH: 2,853 LF  
COST: \$326,500  
YEAR: 2024

EXISTING 0.15 MG STANDPIPE

PROPOSED 12-INCH LOOP LINE  
LENGTH: 11,239 LF  
COST: \$1,400,000  
YEAR: 2023

EDR TREATMENT PLANT  
CHLORAMINE CONVERSION &  
CITY OF LUBBOCK INTERCONNECT  
CAPACITY: 0.5 MG  
COST: \$807,625  
YEAR: 2023

EXISTING 0.05 MG EST (TANK 1)  
TO BE REMOVED

EXISTING 0.05 MG EST (TANK 2)  
TO BE REMOVED

PROPOSED 0.5 MG EST  
COST: \$5,300,000  
YEAR: 2024-2026

OVERLOOK WATER SUPPLY  
CAPACITY: 1.1 MGD  
COST: \$1,000,000  
YEAR: 2024

PROPOSED 12-INCH  
OVERLOOK WATER LINE  
LENGTH: 3,200 LF  
COST: \$365,000  
YEAR: 2024

HARVEST WATER SUPPLY  
CAPACITY: 0.4 MGD  
COST: \$726,000  
YEAR: 2024

PROPOSED 12-INCH  
HARVEST WATER LINE  
LENGTH: 5,320 LF  
COST: \$608,000  
YEAR: 2024



**Legend**

- EXISTING WATER LINES (CITY OF WOLFFORTH)
- DEVELOPMENT FUNDED WATER LINES
- WOLFFORTH CITY LIMITS
- PROPOSED WATER LINES
- 💧 FUTURE WATER WELL/SOURCE
- ⚡ FUTURE PUMP STATION
- ⚡ EXISTING EST TO BE REMOVED
- EXISTING PLATS
- 🗿 PROPOSED EST
- 🗿 EXISTING EST
- 🗿 EXISTING STANDPIPE