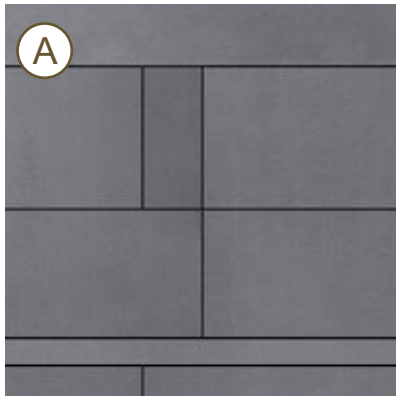
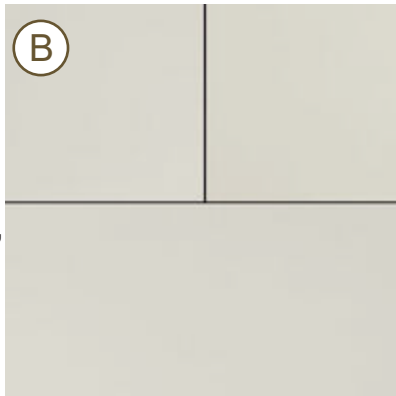


CIS EXTERIOR MATERIAL BOARD



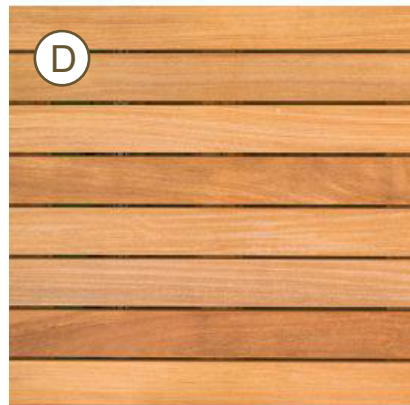
EQUITONE:
"ARGENT GREY"



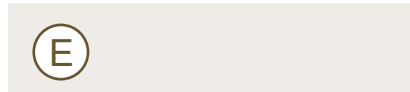
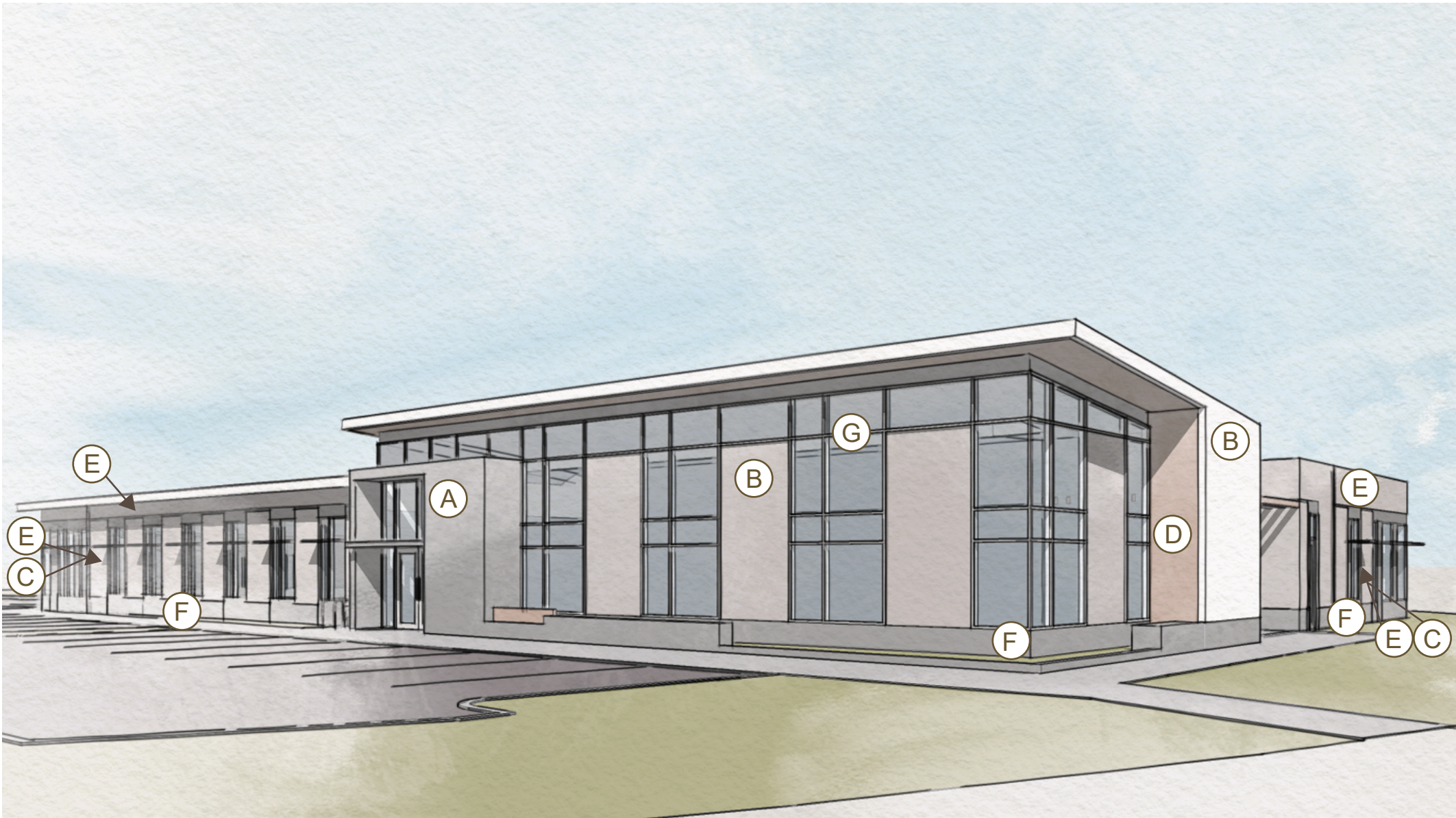
EQUITONE:
"CHALK"



RECKLI CONCRETE
FORMLINER
2/74 URAL



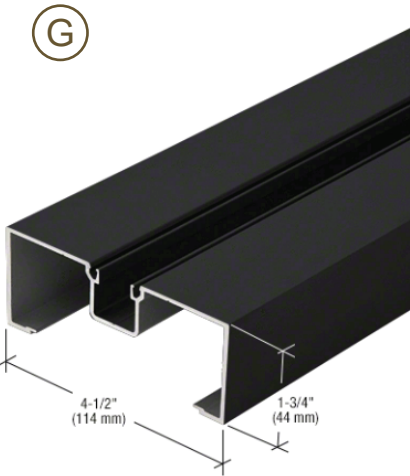
VERTICAL GRAIN
CEDAR SOFFIT AT
CANOPY & OVERHANG



SHERWIN- WILLIAMS:
SNOWBOUND



SHERWIN- WILLIAMS:
GAUNTLET GRAY



BLACK ANODIZED
MULLION