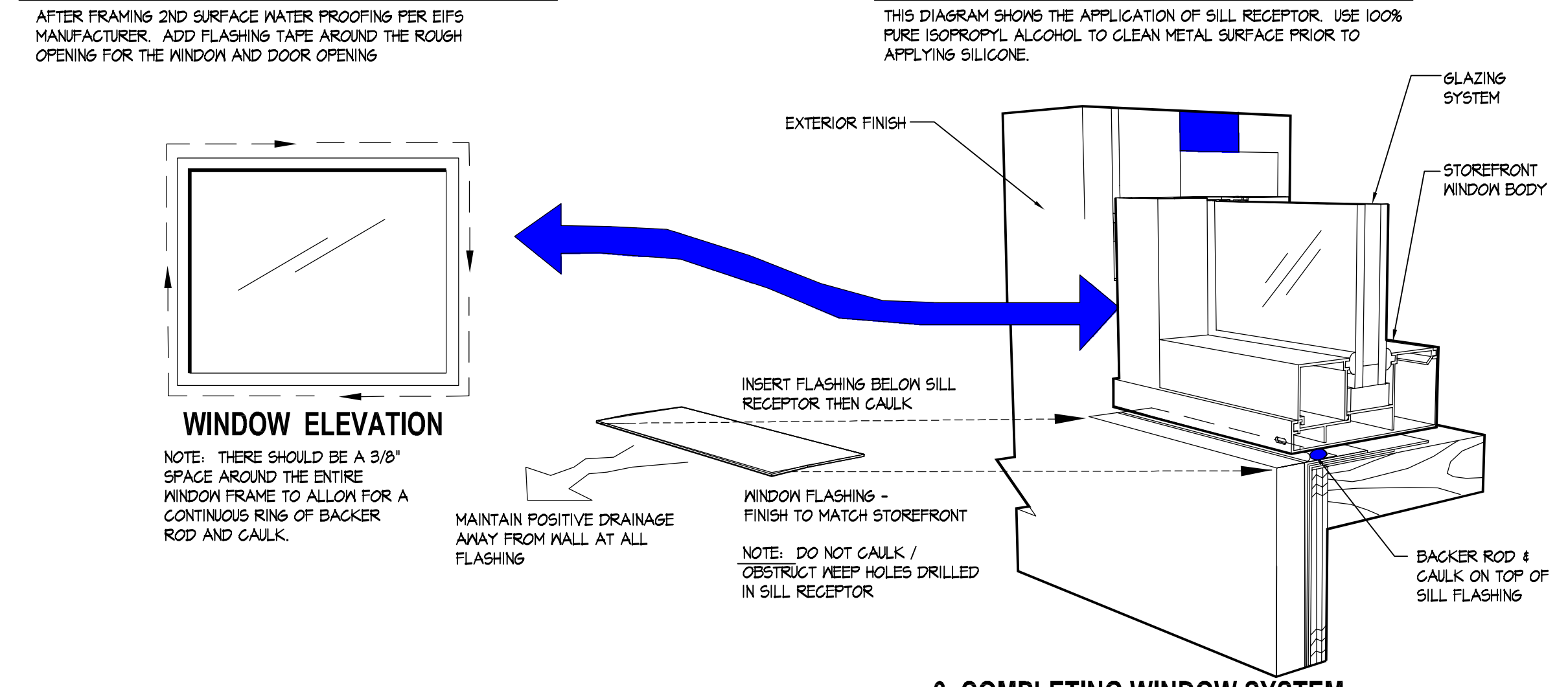
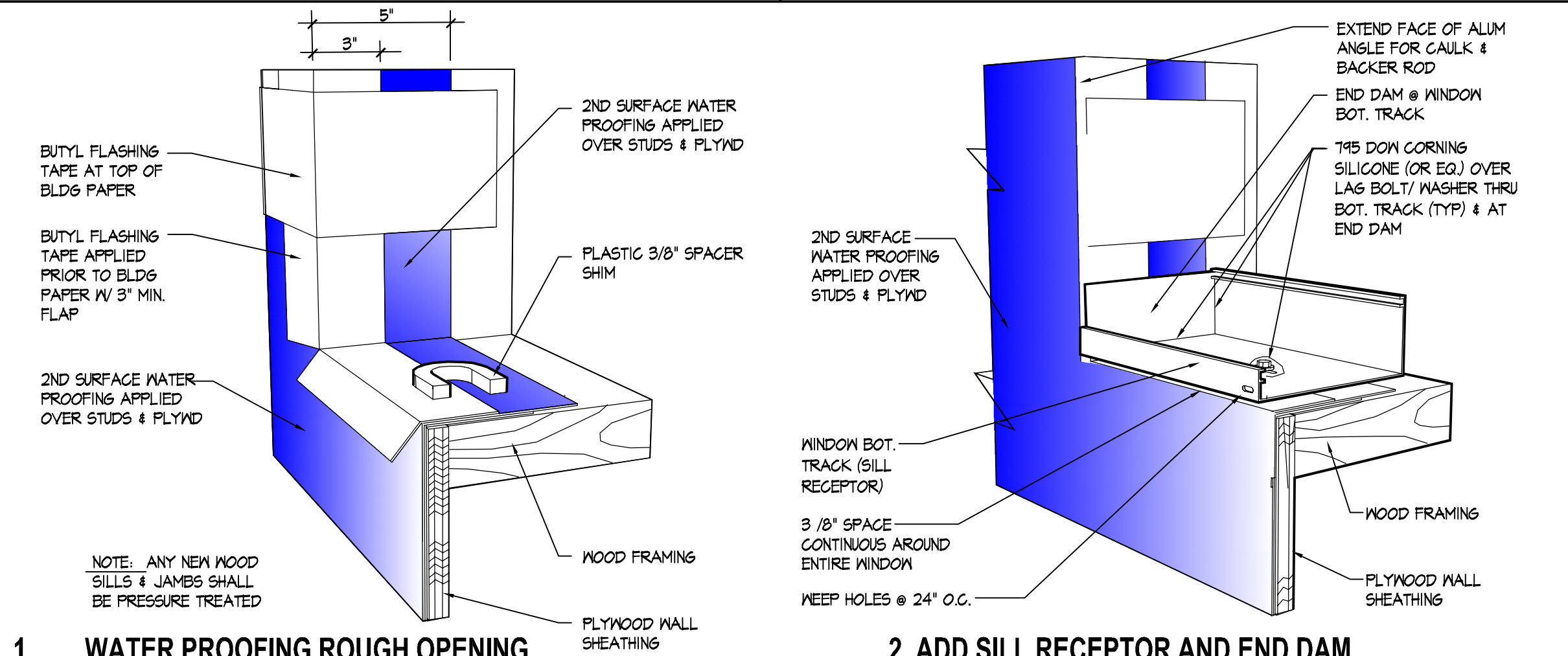
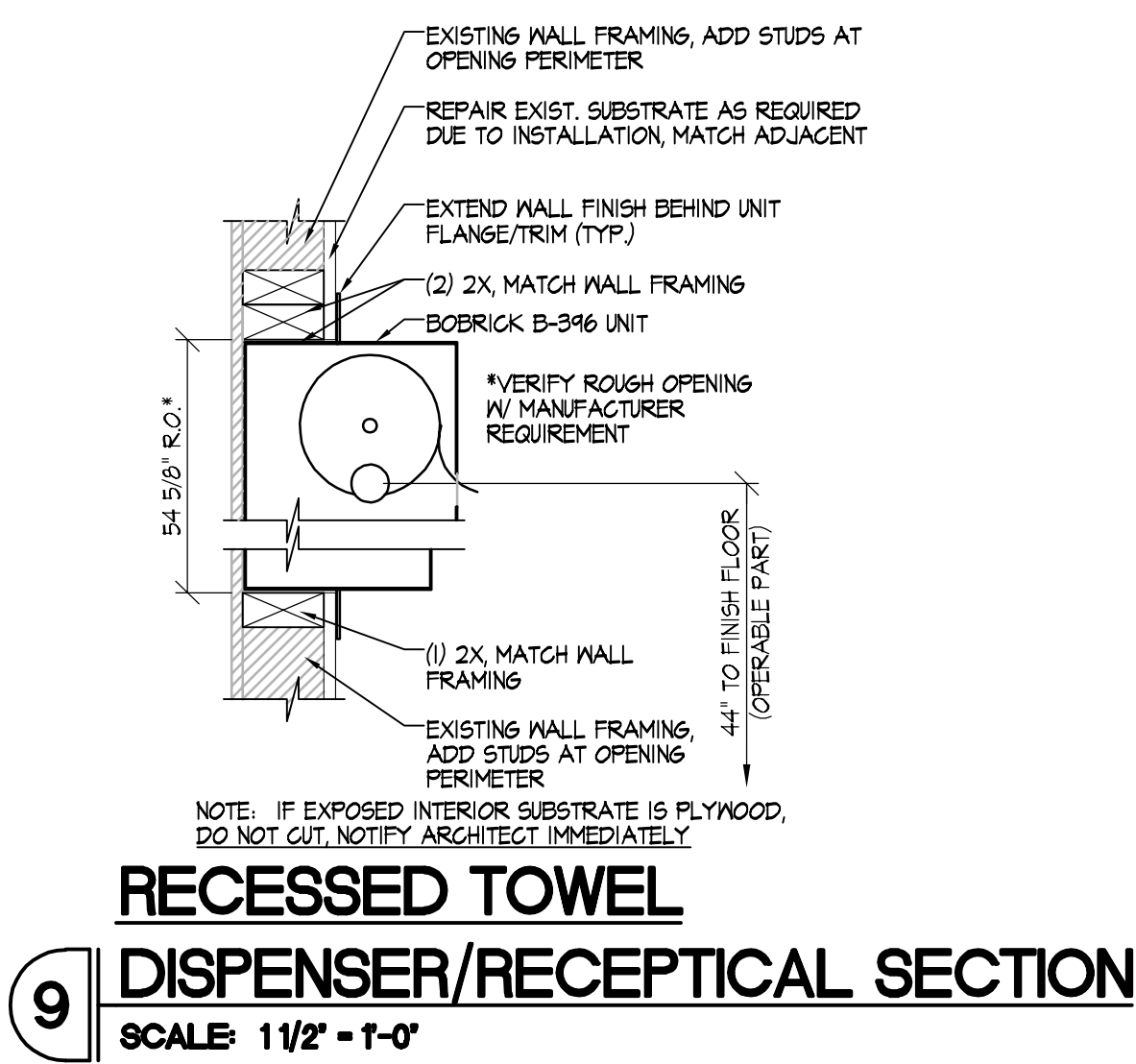
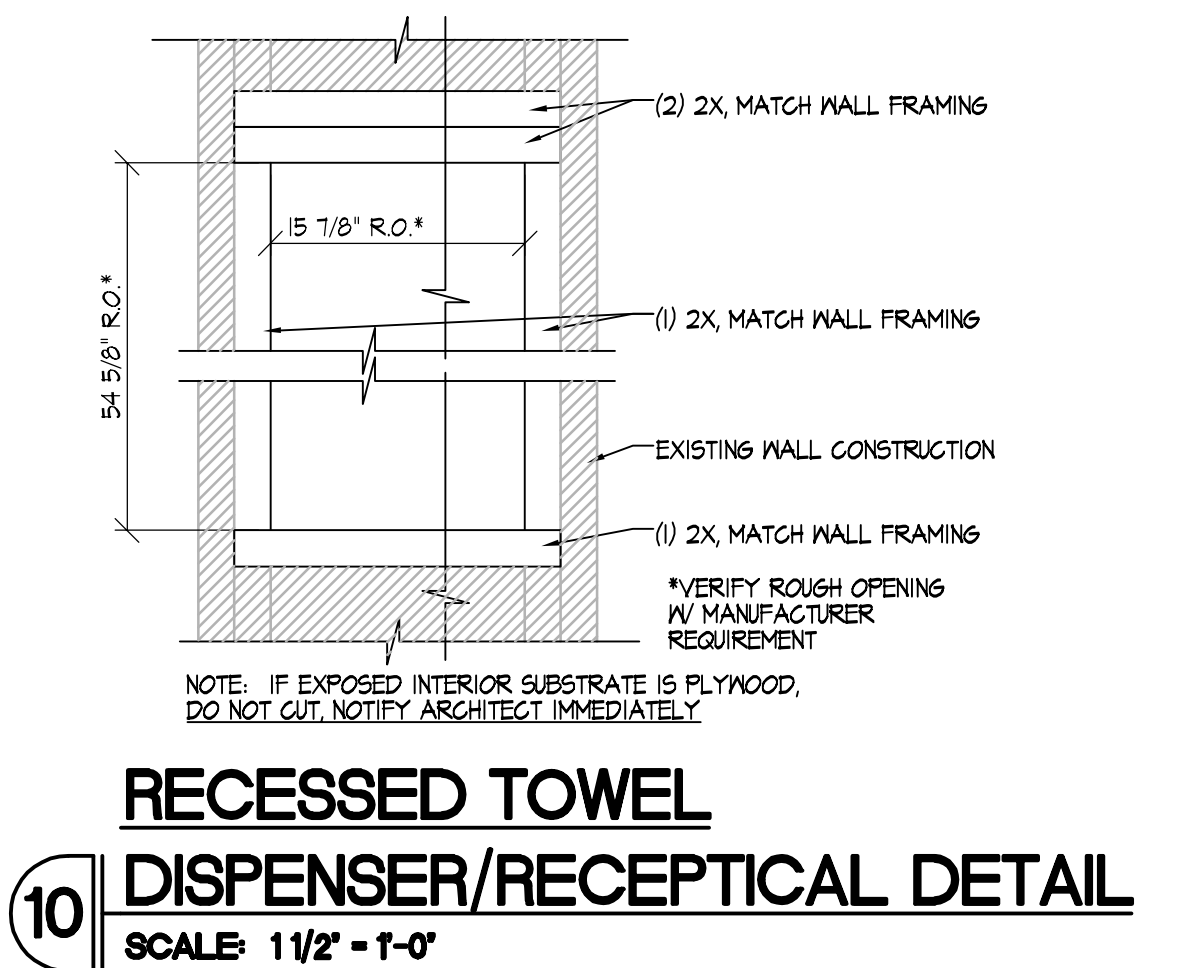


REV	DATE	DESCRIPTION

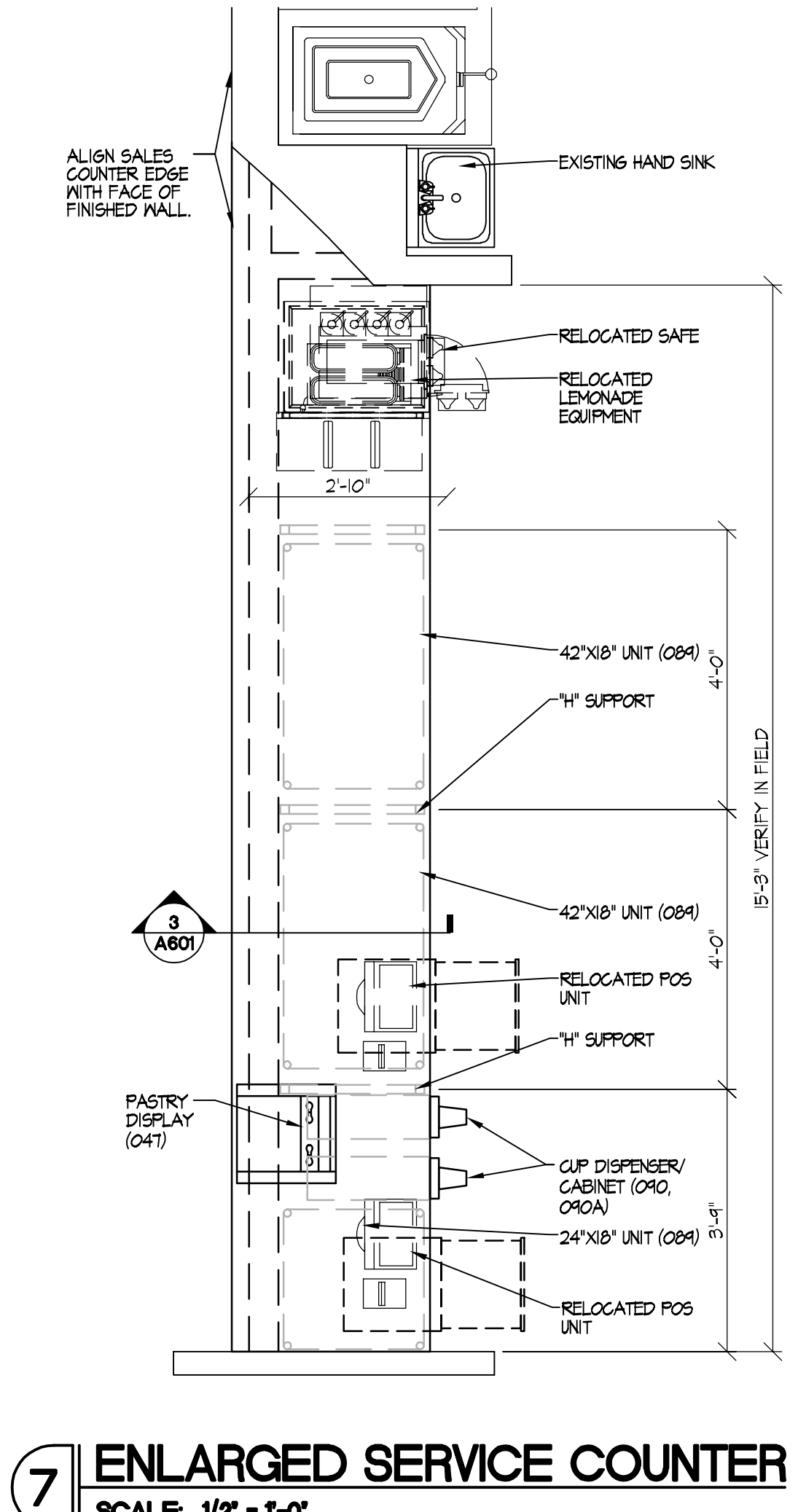




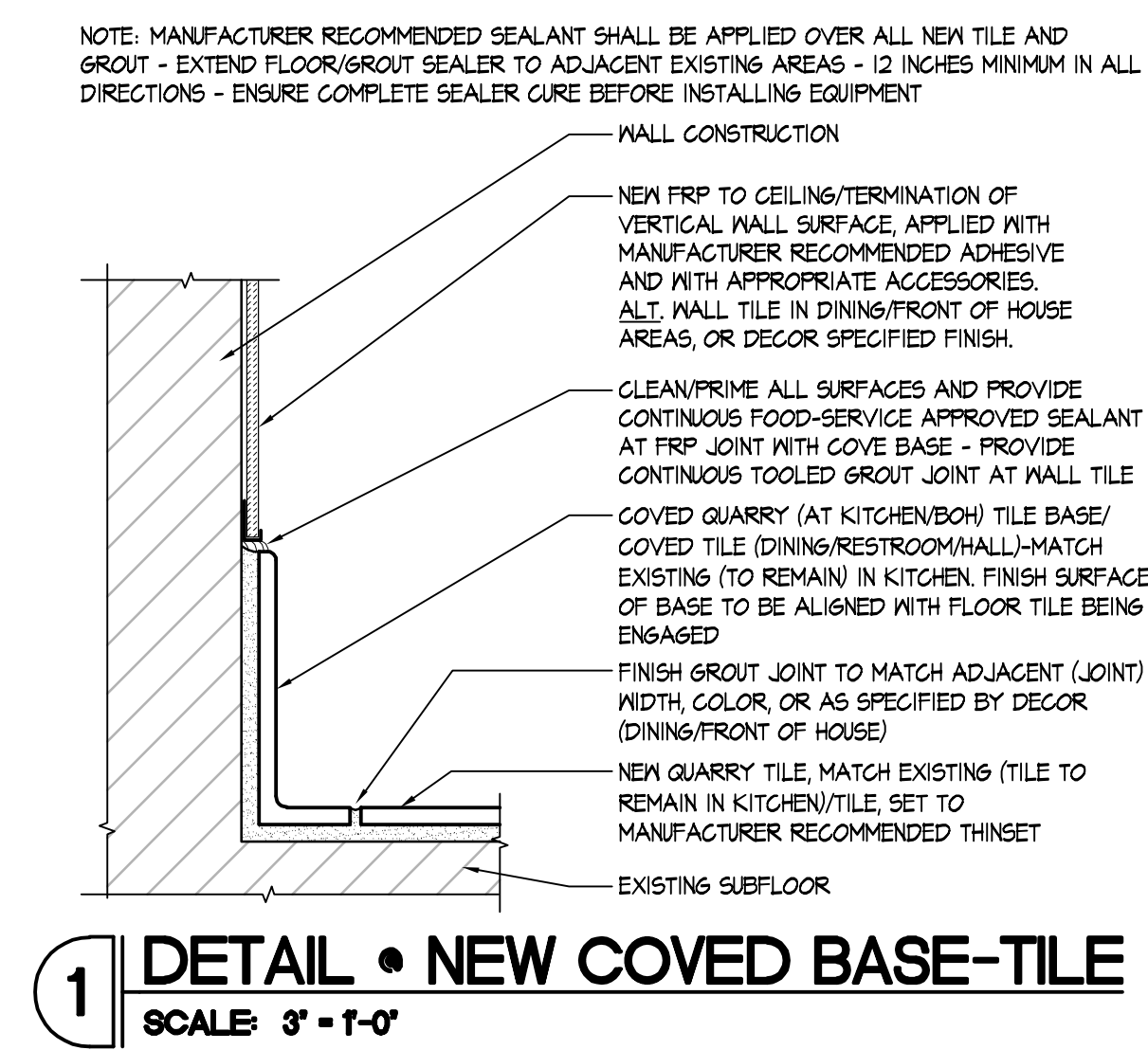
9 RECESSED TOWEL DISPENSER/RECEPTICAL SECTION
SCALE: 1 1/2" = 1'-0"



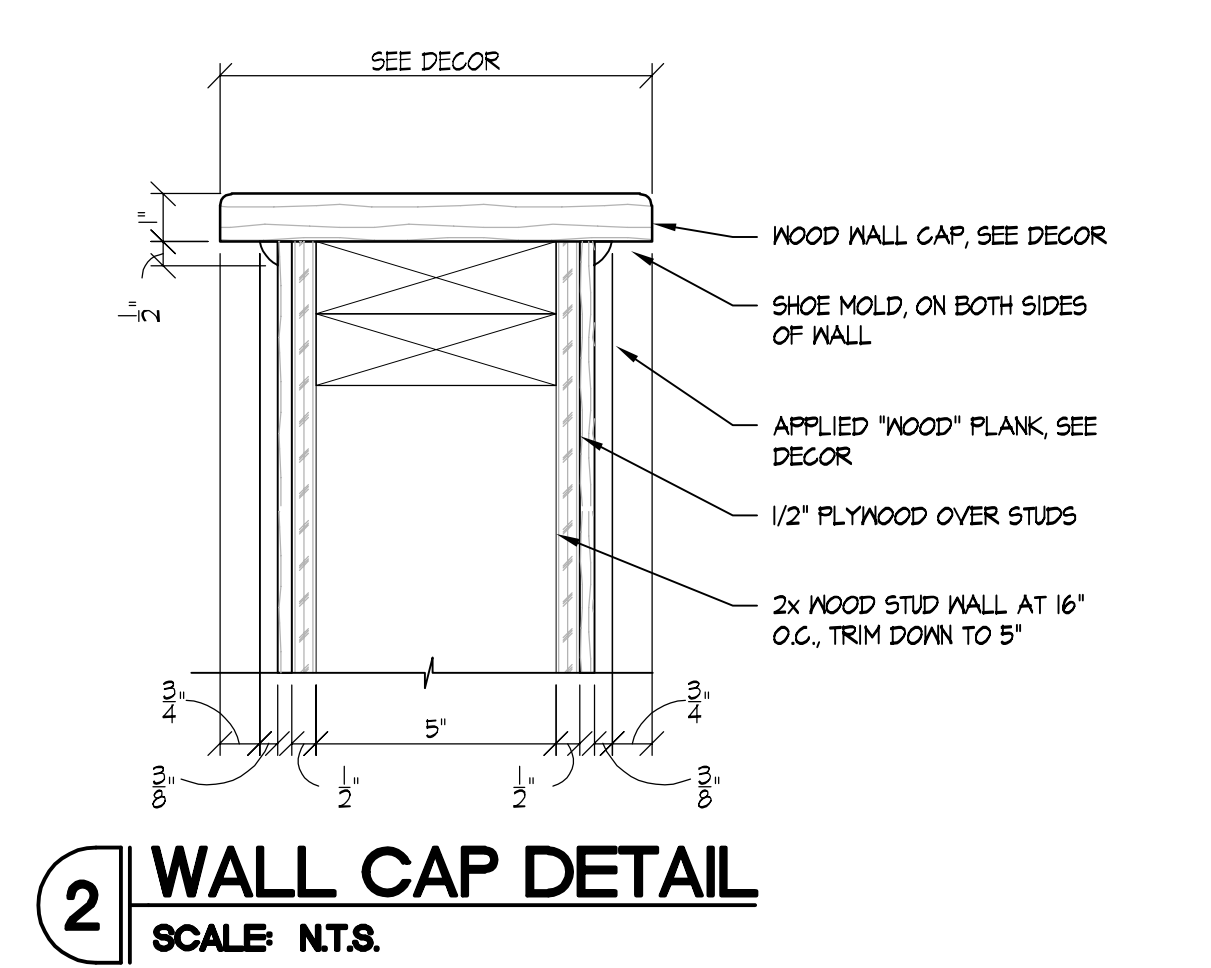
10 RECESSED TOWEL DISPENSER/RECEPTICAL DETAIL
SCALE: 1 1/2" = 1'-0"



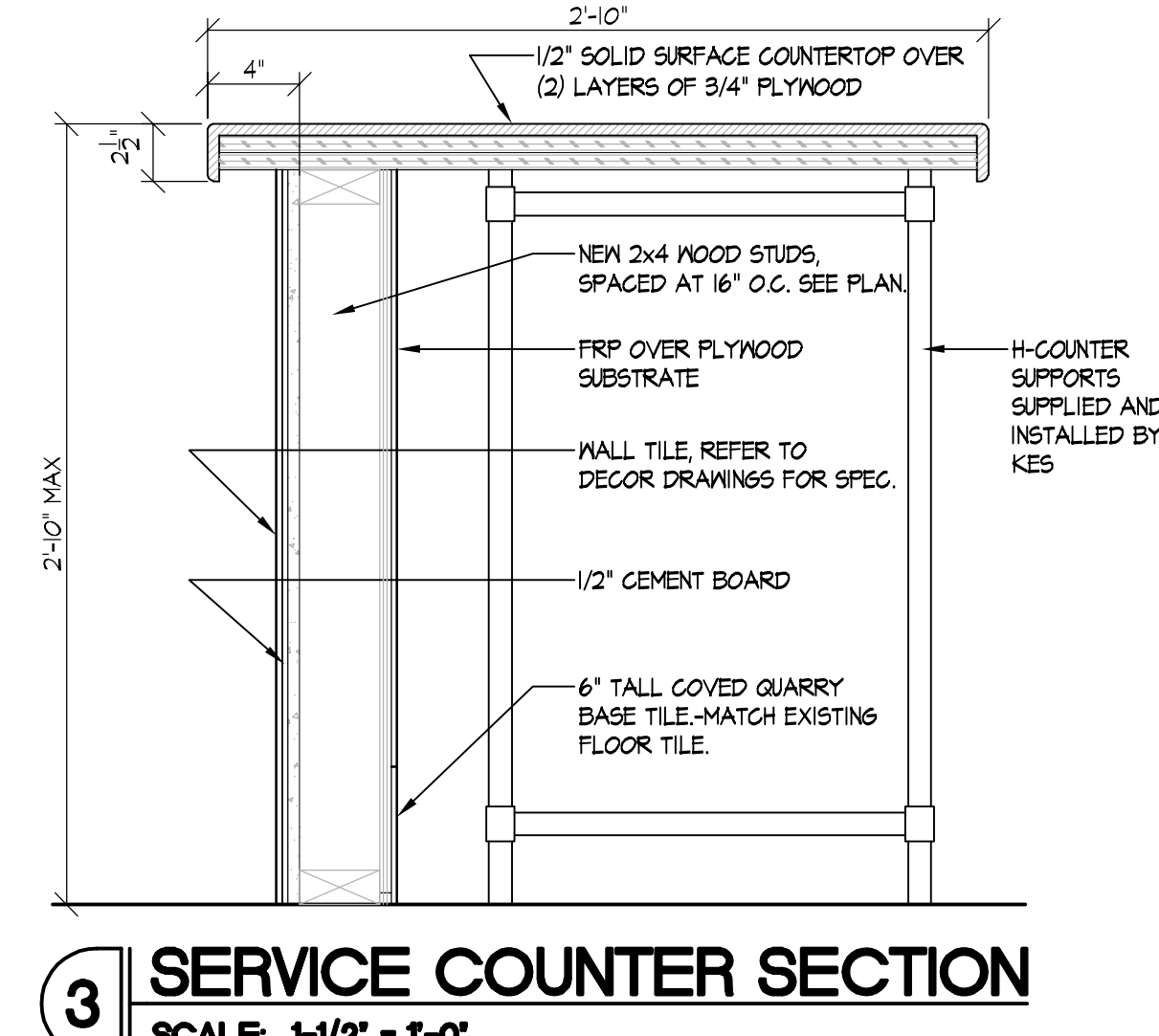
7 ENLARGED SERVICE COUNTER
SCALE: 1/2" = 1'-0"



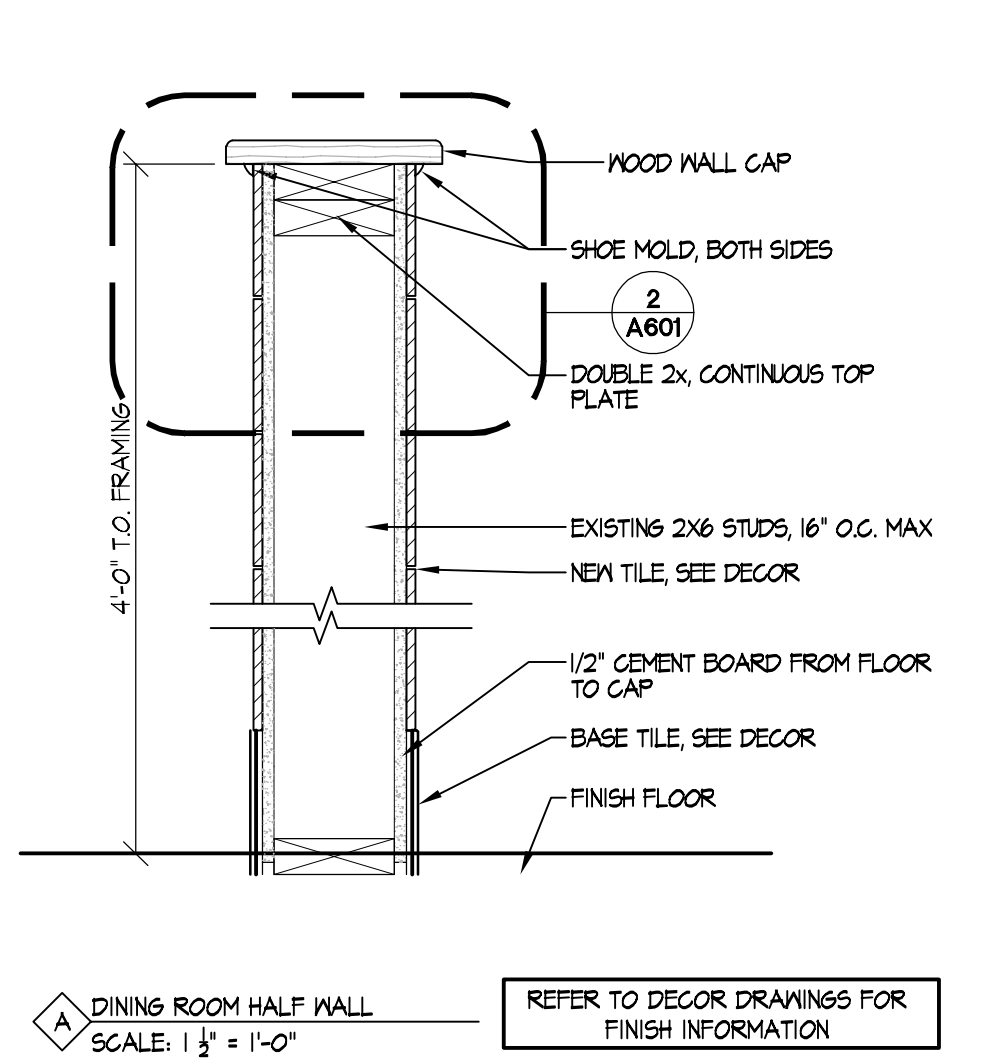
1 DETAIL - NEW COVERED BASE-TILE
SCALE: 3" = 1'-0"



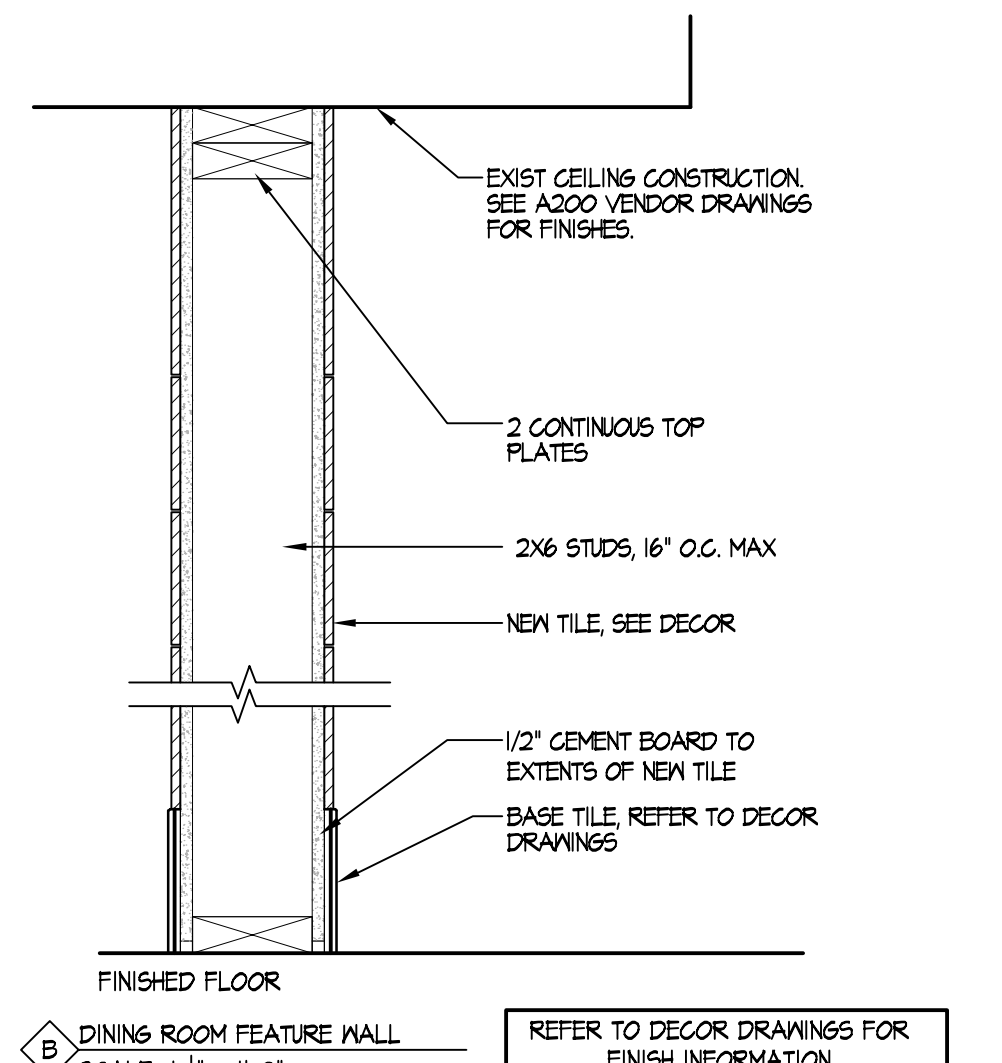
2 WALL CAP DETAIL
SCALE: N.T.S.



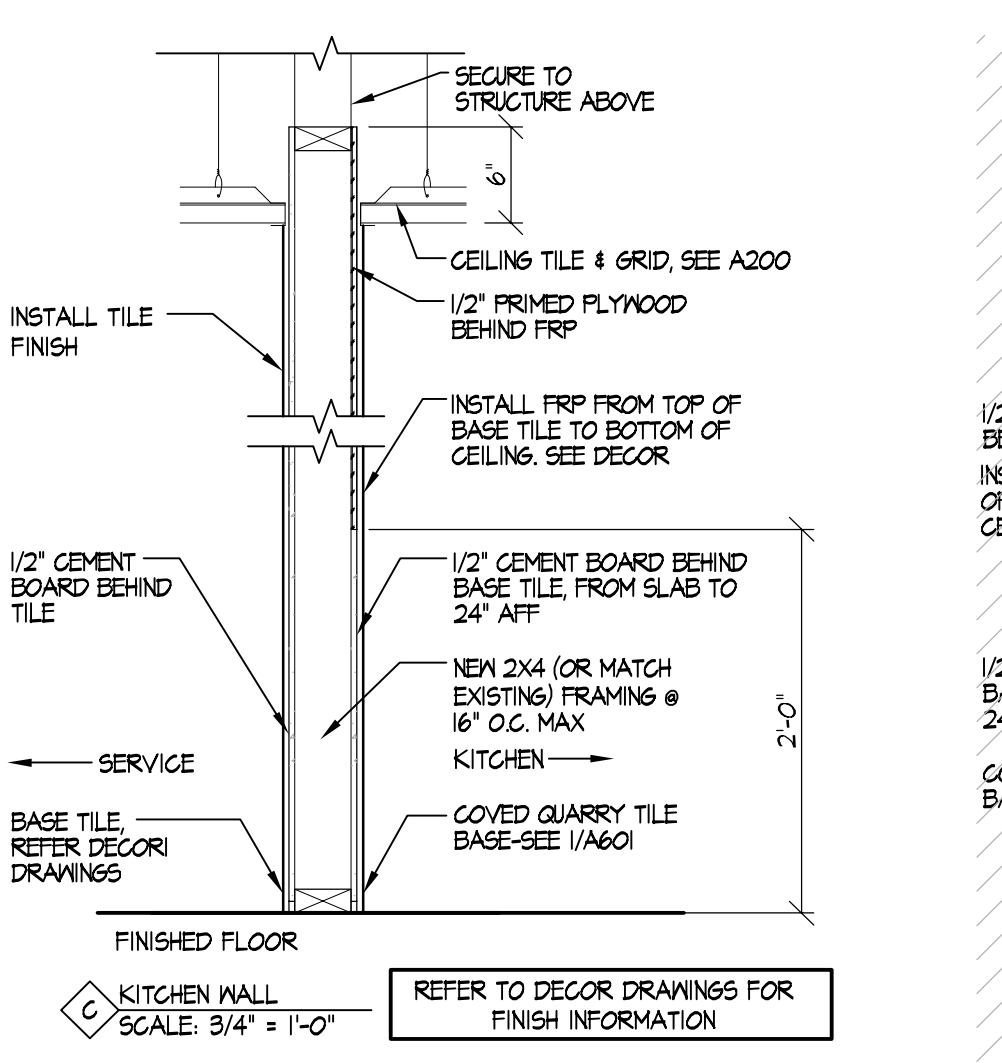
3 SERVICE COUNTER SECTION
SCALE: 1-1/2" = 1'-0"



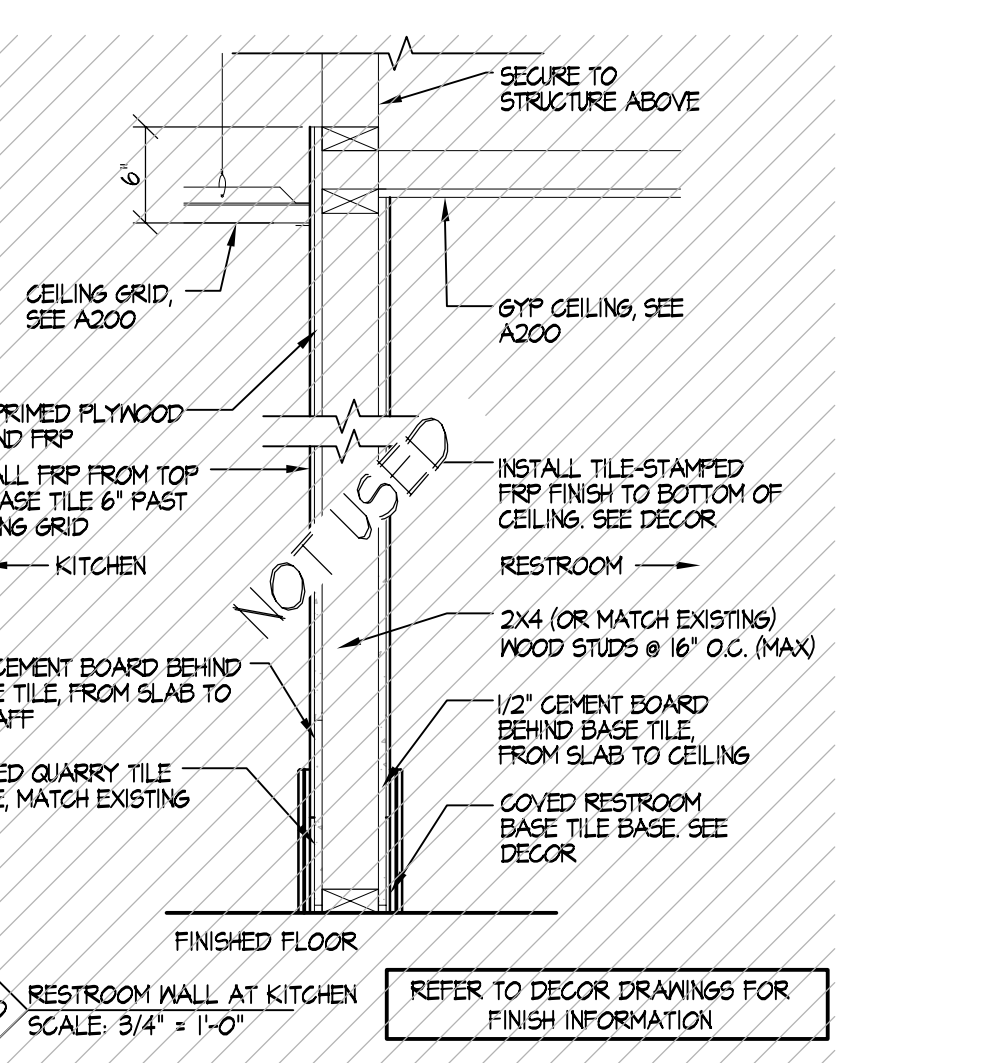
20 DINING ROOM HALF WALL
SCALE: 1 1/4" = 1'-0"
REFER TO DECOR DRAWINGS FOR FINISH INFORMATION



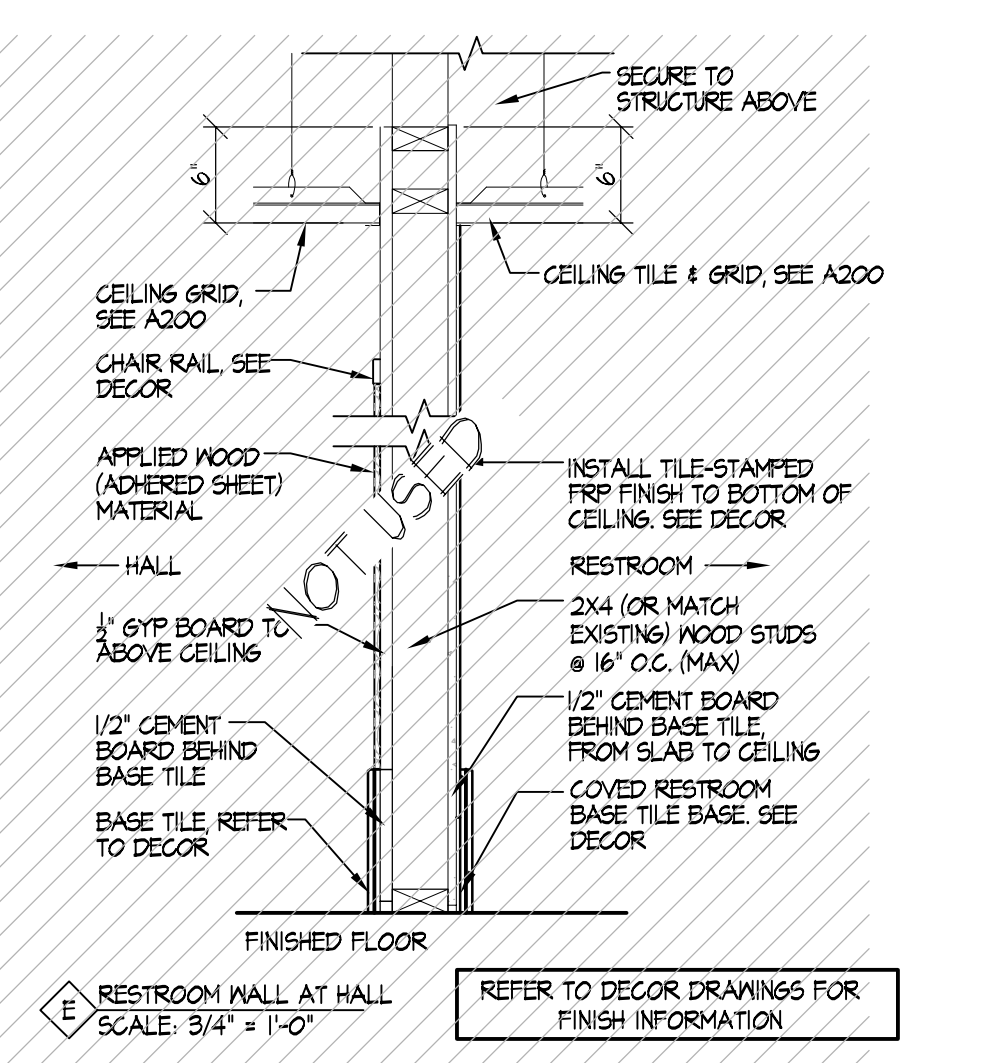
D DINING ROOM FEATURE WALL
SCALE: 1 1/4" = 1'-0"
REFER TO DECOR DRAWINGS FOR FINISH INFORMATION



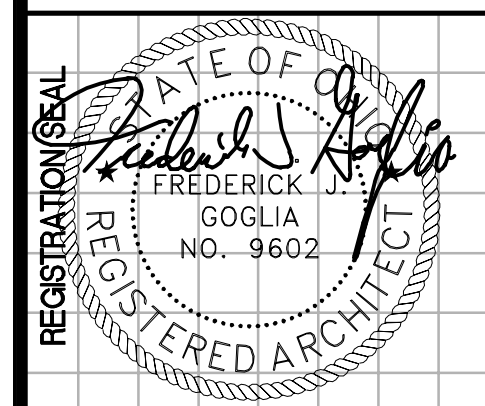
C KITCHEN WALL
SCALE: 3/4" = 1'-0"
REFER TO DECOR DRAWINGS FOR FINISH INFORMATION



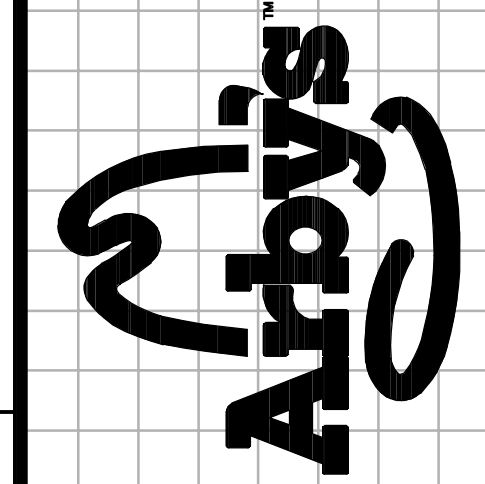
D RESTROOM WALL AT KITCHEN
SCALE: 3/4" = 1'-0"
REFER TO DECOR DRAWINGS FOR FINISH INFORMATION



E RESTROOM WALL AT HALL
SCALE: 3/4" = 1'-0"
REFER TO DECOR DRAWINGS FOR FINISH INFORMATION



FREDERICK J. GOGLIA, LICENSE #9602
EXPIRATION DATE: 12/31/25
7/24/24
FREDERICK J. GOGLIA
ARCHITECT, NCARB, RDI
1950 ORMIG ROAD, SUITE 300
ST. LOUIS, MO 63146
PH: (314) 415-2400 FAX: (314) 415-2800
www.arjv.com



ARBY'S REMODEL
31219 VINE ST.
WILLIAMSVILLE, OH, 44095
STORE # 1832

REV.	DATE	DESCRIPTION

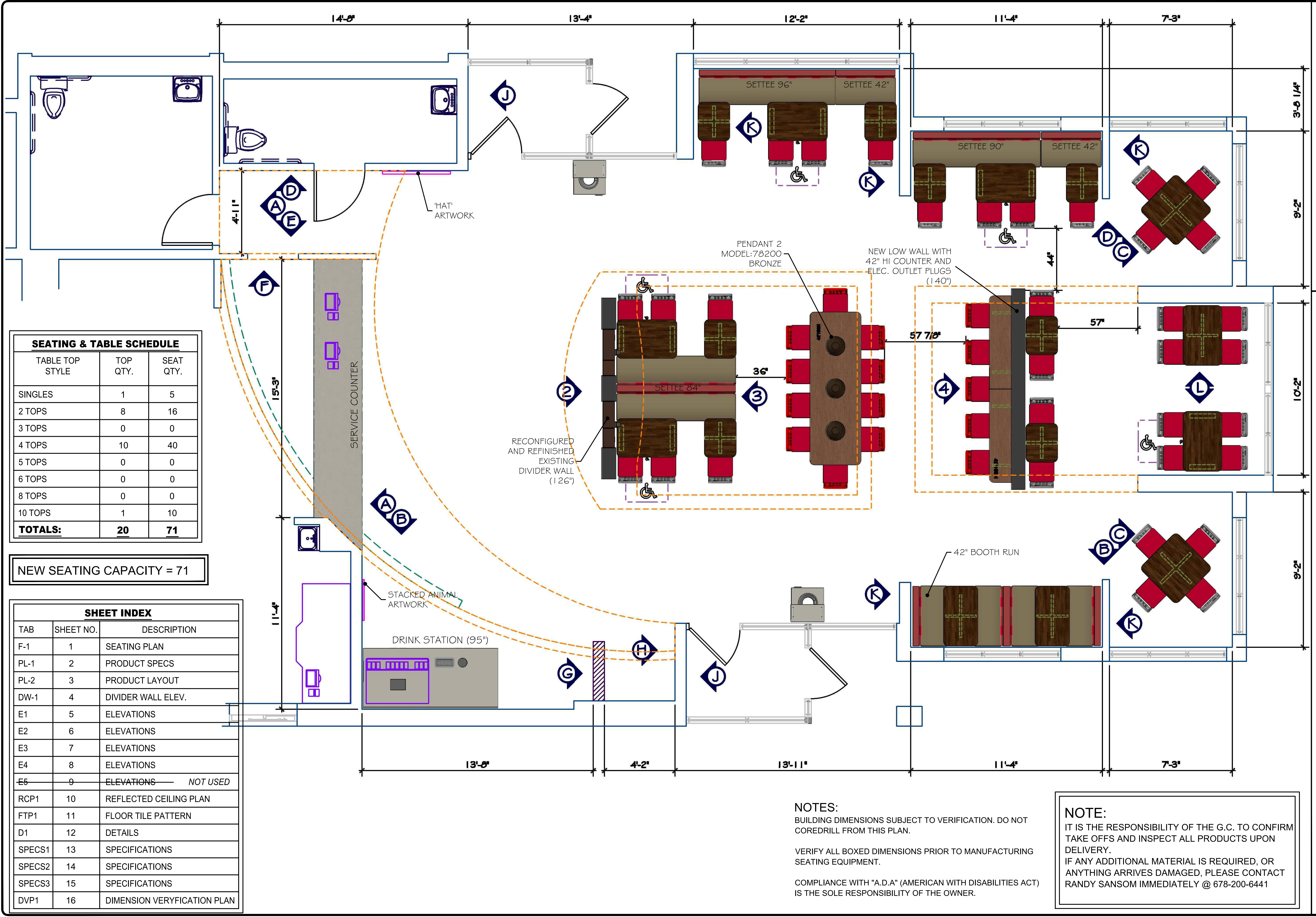
PROJECT NO: 230688
DRAWN BY: ST
CHECKED BY: JMW
ISSUE DATE: 07/19/24



All Dimensions of the site and/or building are supplied by the customer or his agent. Dimensions of items not provided but marked "HOLD" by CMI must be exactly maintained to assure proper tie-in with CMI's provided items. Customer has agreed to assume responsibility of control of all dimensions of the site and/or building and items not provided by CMI, and for any added costs if such dimensions are not held to normal construction tolerances.
Any reproduction or use of this material without written consent of CMI is prohibited.



STORE #: # 1832
PROJECT #: 04853_00
ADDRESS: 31219 Vine Street
CITY/ST: Willowick, OH



SEATING & TABLE SCHEDULE		
TABLE TOP STYLE	TOP QTY.	SEAT QTY.
SINGLES	1	5
2 TOPS	8	16
3 TOPS	0	0
4 TOPS	10	40
5 TOPS	0	0
6 TOPS	0	0
8 TOPS	0	0
10 TOPS	1	10
TOTALS:	20	71

NEW SEATING CAPACITY = 71


SHEET INDEX		
TAB	SHEET NO.	DESCRIPTION
F-1	1	SEATING PLAN
PL-1	2	PRODUCT SPECS
PL-2	3	PRODUCT LAYOUT
DW-1	4	DIVIDER WALL ELEV.
E1	5	ELEVATIONS
E2	6	ELEVATIONS
E3	7	ELEVATIONS
E4	8	ELEVATIONS
E5	9	ELEVATIONS NOT USED
RCP1	10	REFLECTED CEILING PLAN
FTP1	11	FLOOR TILE PATTERN
D1	12	DETAILS
SPECS1	13	SPECIFICATIONS
SPECS2	14	SPECIFICATIONS
SPECS3	15	SPECIFICATIONS
DVP1	16	DIMENSION VERIFICATION PLAN

NOTES:
 BUILDING DIMENSIONS SUBJECT TO VERIFICATION. DO NOT COREDRILL FROM THIS PLAN.
 VERIFY ALL BOXED DIMENSIONS PRIOR TO MANUFACTURING SEATING EQUIPMENT.
 COMPLIANCE WITH "A.D.A" (AMERICAN WITH DISABILITIES ACT) IS THE SOLE RESPONSIBILITY OF THE OWNER.

NOTE:
 IT IS THE RESPONSIBILITY OF THE G.C. TO CONFIRM TAKE OFFS AND INSPECT ALL PRODUCTS UPON DELIVERY.
 IF ANY ADDITIONAL MATERIAL IS REQUIRED, OR ANYTHING ARRIVES DAMAGED, PLEASE CONTACT RANDY SANSOM IMMEDIATELY @ 678-200-6441

STORE No.: # 1832

WILLOWICK, OH (Vine Street)




Commercial Millwork & Installation L.L.C.
 356 Industrial Road - Newport, TN 37821

REVISION	DATE	BY

SHEET TITLE: SEATING PLAN
 SCALE: 3/16" = 1'-0"

ADDRESS: 31219 Vine Street
 Willowick, OH



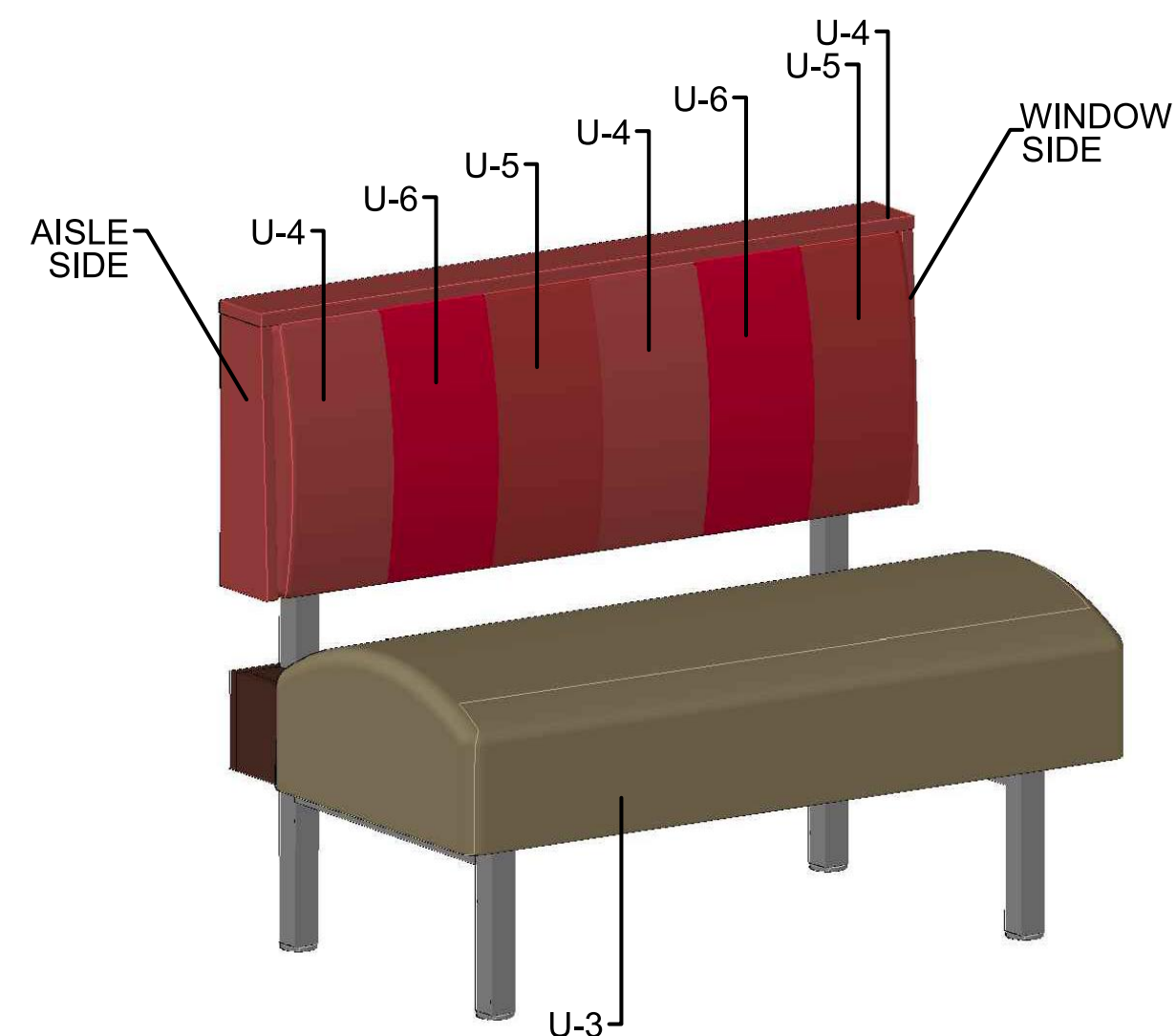
ACCOUNT: Arby's
DESIGN BY: J.V.
DATE: 07/02/24
PROJECT NO.: F1_04853
REVISION: 00
SHEET NO.: 1



TABLE TOP 'A'
(SMOOTH PADDLIN)



BAR STOOL



BOOTHS



TABLE TOP 'B'
(OLD MILL OAK)



CHAIR



WASTE CABINET



DRINK CABINET

For Representation only. See layout for size

FURNITURE FINISHES

TABLE TOPS:
SERIES: LAMINATED
"TABLE A": PIONITE WX110 "SMOOTH PADDLIN"
EDGE: PLYWOOD
"TABLE B": WILSONART 7973K-12 "OLD MILL OAK"
EDGE: BROWN VINYL
NOTE: HANDICAP SYMBOL ON HANDICAP TABLES

FURNISHED BY: CMI
INSTALLED BY: G.C.

TABLE BASE:
SERIES: STANDARD AND BAR HEIGHT FREESTANDING BASES
FINISH: BLACK

FURNISHED BY: CMI
INSTALLED BY: G.C.

CHAIRS (FREESTANDING):
CHAIR SERIES: #809
FRAME FINISH: M-8 QUICKSILVER
SEAT "A" UPHOLSTERY: ESP635 AMERICAN BEAUTY (U6)

FURNISHED BY: OWNER
INSTALLED BY: G.C.

BARSTOOL (FREESTANDING):
CHAIR SERIES: #809-30
FRAME FINISH: S-19 LIPSTICK REDUM
SEAT "A" UPHOLSTERY: ESP635 AMERICAN BEAUTY (U6)

FURNISHED BY: OWNER
INSTALLED BY: G.C.

BOOTH: ARBY'S 36" AFF
SERIES: UPHOLSTERED BACK PAD & SEAT
BACK PAD PATTERN - STANDARD SIZE & WALL BENCHES
TOP CAP /SIDE PANEL: ARC-COM RODEO, AC-69953 'FIRE' #14 (U4)
BACK PAD UPHOLSTERY:
UPHOLSTERY 4: ARC-COM RODEO, AC-69953, 'FIRE' #14 (U4)
UPHOLSTERY 5: ARC-COM RODEO, AC-69954, 'RUBY' #15 (U5)
UPHOLSTERY 6: ARC-COM RODEO, AC-69952, 'LIPSTICK' #13 (U6)
SEAT PAD FINISH: ARC-COM RODEO, AC-69984, 'RHINO' #45 (U3)
WELT: ARC-COM RODEO, AC-69984 'RHINO' #45 (U3)
CRUMB RAIL: FORMICA 5884-58 CHESTNUT WOODLINE
STRIPES TO BE TUFTED

FURNISHED BY: CMI
INSTALLED BY: G.C.

WASTE CABINETS:
SERIES: TOP DROP ON F/S LEGS
TOP AND TRAY SHELF FINISH: CORIAN 'GLACIER WHITE' (C2)
TRAY STOPS AND TRASH CHUTE: STAINLESS STEEL
CABINET/DOOR: STAINLESS STEEL CONSTRUCTION w/LAMIN. OUTER PANELS
LAMINATED PANELS: NEVAMAR 'CHARCOAL ESSENCE' ES6002 (L4)
LEGS: STAINLESS STEEL BULLET FEET

FURNISHED BY: KES*
INSTALLED BY: G.C.

BEVERAGE CABINET:
SERIES: FREESTANDING ON LEGS
TOP / BACK SPLASH FINISH: CORIAN 'GLACIER WHITE' (C2)
CABINET/DOOR: STAINLESS STEEL CONSTRUCTION w/LAMIN. OUTER PANELS
LAMINATED PANELS: NEVAMAR 'CHARCOAL ESSENCE' ES6002 (L4)
LEGS: STAINLESS STEEL BULLET FEET

FURNISHED BY: KES*
INSTALLED BY: G.C.

STORE No.: # 1832

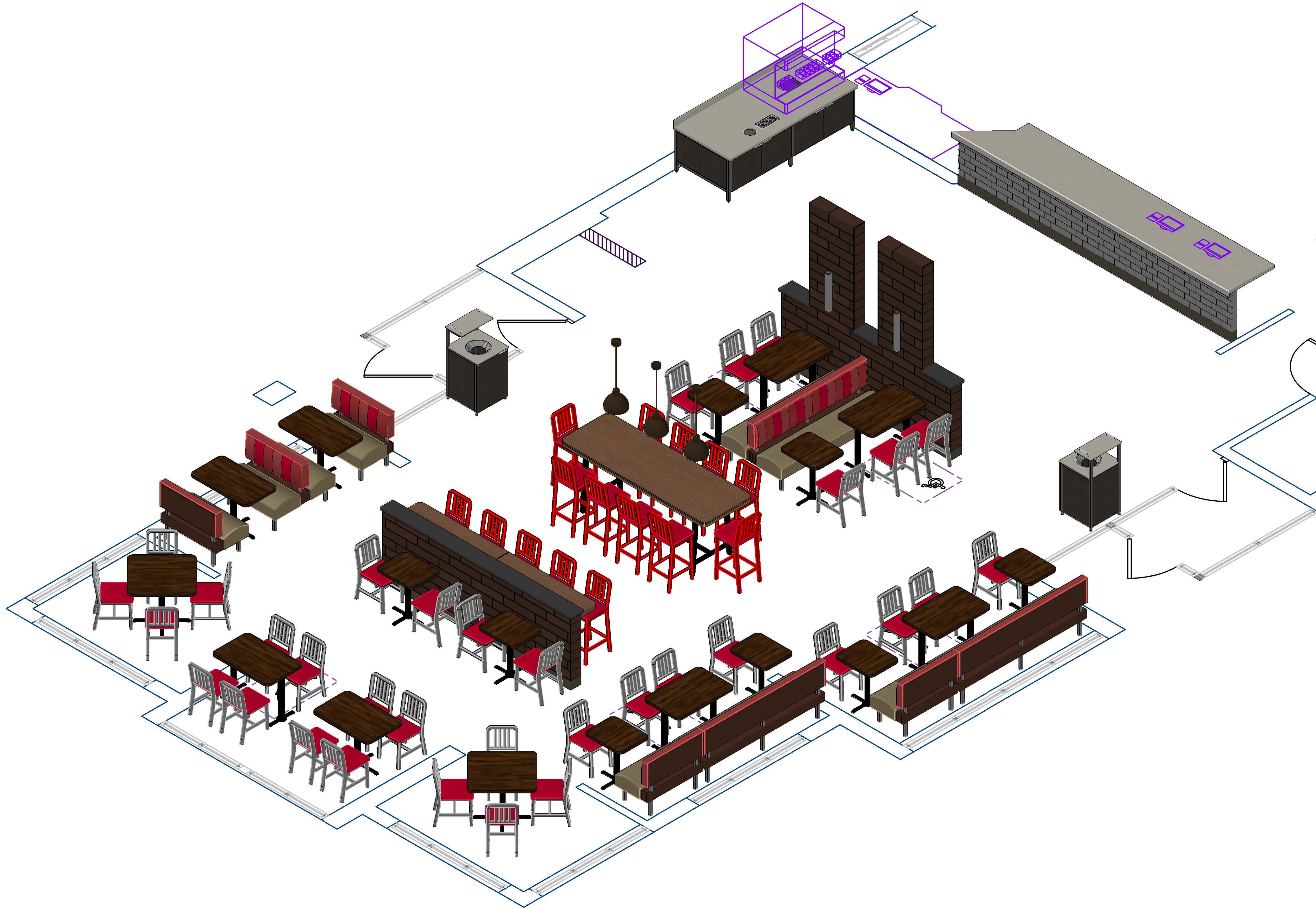
WILLOWICK, OH (Vine Street)



Table with columns for REVISION, DATE, and BY.

PRODUCT LINE: SCALE: N.T.S.
ADDRESS: 31219 Vine Street Willowick, OH

Arby's logo and project information: ACCOUNT: Arby's, DESIGN BY: J.V., DATE: 07/02/24, PROJECT NO.: PL1 04853, REVISION: 00, SHEET NO.: 2



STORE No.: # 1832

WILLOWICK, OH (Vine Street)

CITY, ST



REVISION	DATE	BY

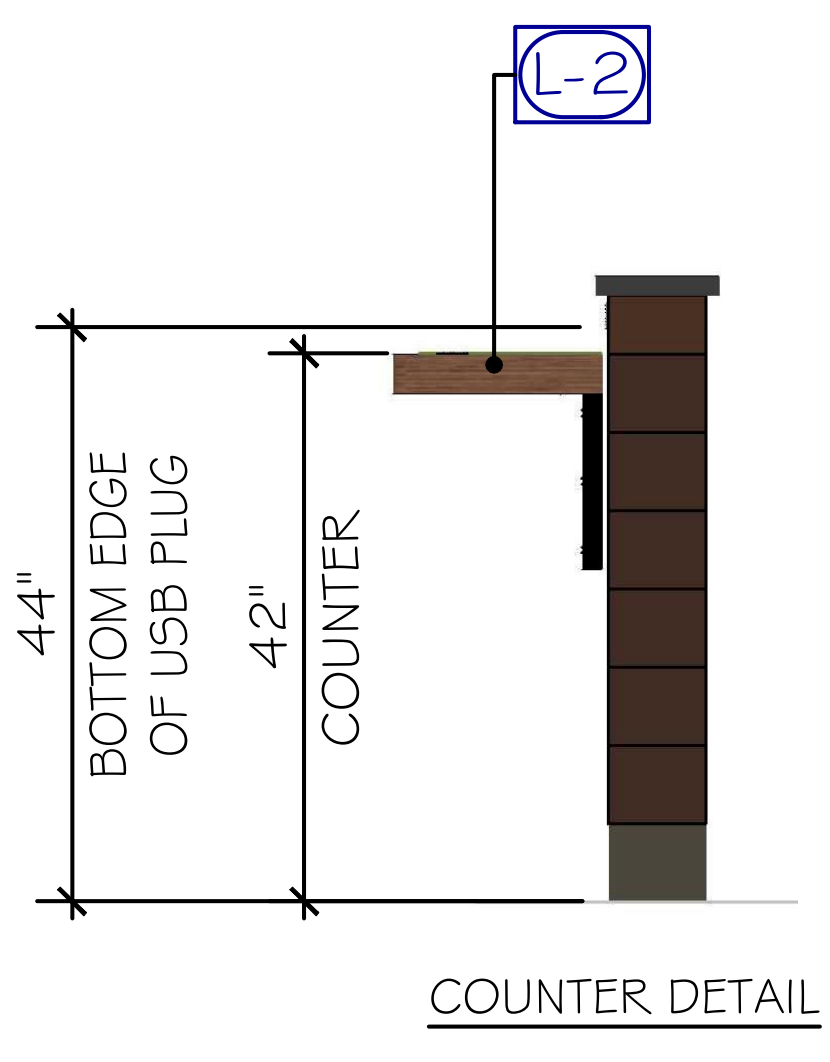
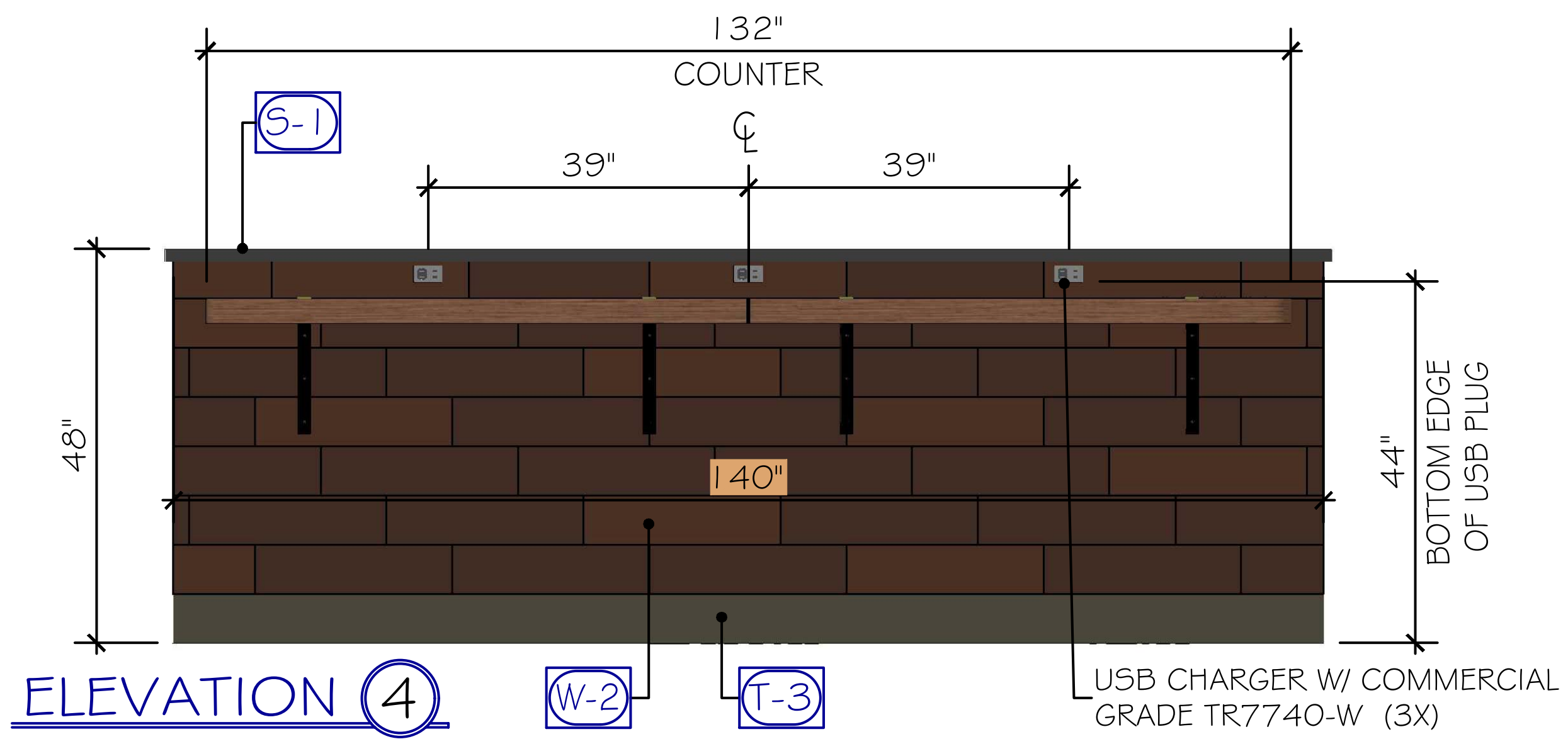
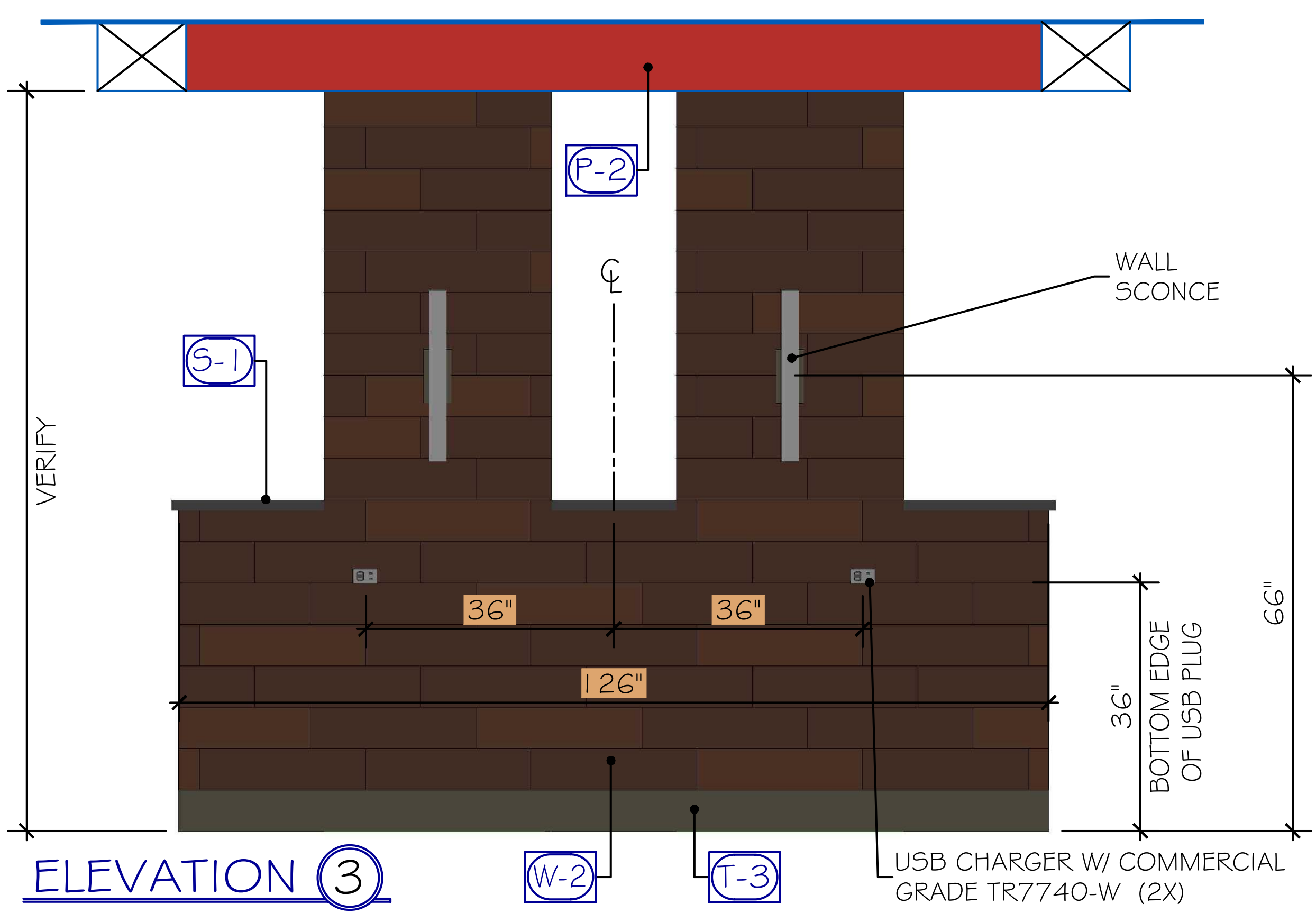
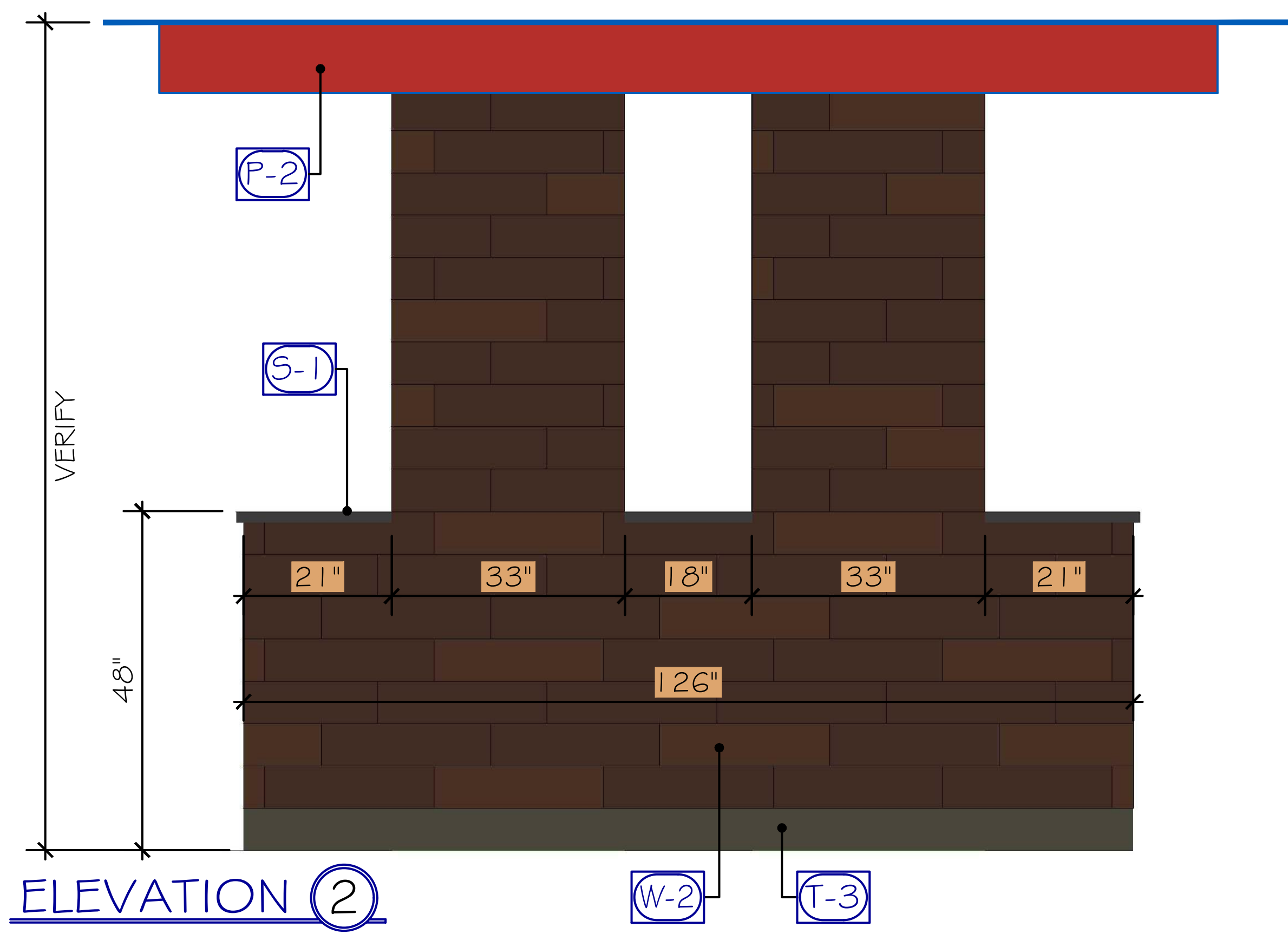
SHEET TITLE: PRODUCT LINE LAYOUT
 SCALE: N.T.S.
 ADDRESS: 31219 Vine Street
 Willowick, OH



ACCOUNT: Arby's
 DESIGN BY: J.V.
 DATE: 07/02/24
 PROJECT NO.: PL2 04853
 REVISION: 00 SHEET NO.: 3

1 | 2 | 3 | 4 | 5 | 6 | 7

E
D
C
B
A



NOTE:
TILED WALLS TO RECEIVE MATTE BLACK ALUMINUM SCHLUTER CORNER GUARD ON ALL OUTSIDE CORNERS.

UNLESS OTHERWISE SPECIFIED (NOTE: Not all finishes used on every project.)

- | | | | | | |
|--|--|---|--|---|--|
| <ul style="list-style-type: none"> (P-1) SHERWIN WILLIAMS
COLOR: SW7038 'TONY TAUPE' (P-2) SHERWIN WILLIAMS
COLOR: SW6864 'CHERRY TOMATO' (P-3) SHERWIN WILLIAMS
COLOR: SW6083 'SABLE GLOSS' (P-4) SHERWIN WILLIAMS
COLOR: SW7005 'PURE WHITE' | <ul style="list-style-type: none"> (P-5) SHERWIN WILLIAMS
COLOR: SW7551 'GREEK VILLA' (P-7) SHERWIN WILLIAMS
COLOR: SW6988 'BOHEMIAN BLACK' (P-8) SHERWIN WILLIAMS
COLOR: SW7674 'PEPPERCORN' (W-2) POCELAIN TILE - WOOD GRAIN
KNOXWOOD NUTMEG | <ul style="list-style-type: none"> (S1) WOOD TOP CAP
PAINT SW7674 'PEPPERCORN' (P-8) (S2) WOOD CHAIR RAIL
PAINT SW7674 'PEPPERCORN' (P-8) (S3) WOOD ACCENT TRIM
PAINT SW7674 'PEPPERCORN' (P-8) (C2) SOLID SURFACE
CORIAN 'GLACIER WHITE' | <ul style="list-style-type: none"> (T-1) CROSSVILLE TILE- 12x12
SCG1 'URBAN' (T-2) CROSSVILLE TILE 6x24
SWG8 'LAKEWOOD' (T-3) CROSSVILLE TILE- COVE BASE 6x12
SCG1 'URBAN' (T-5) CROSSVILLE TILE 4x8
COLOR BY NUMBERS WT02 'TEA FOR TWO'
GLOSS | <ul style="list-style-type: none"> (T-6) CROSSVILLE TILE 4x8
COLOR BY NUMBERS WT14 'CARBON-14' GLOSS (L-1) LAMINATE: PIONITE WW011 SUEDE
'KINGSLEY' (L-2) LAMINATE: PIONITE WX110 SUEDE
'SMOOTH PADDLIN' (L-3) LAMINATE: FORMICA 5884-58
'CHESTNUT WOODLINE'
OPTIONAL LAM: FORMICA F0909-58 'BLACK' | <ul style="list-style-type: none"> (V3) APA GRAPHICS
CUSTOM 'CHALKBOARD VINTAGE ARBYS' (Q-1) TILE EDGE PROTECTOR Q100MGS^{ORG}
SCHLUTER MATTE BLACK ALUM. (Q-8) TILE EDGE PROTECTOR Q100MGS^{TR}
SCHLUTER MATTE BLACK ALUM. |
|--|--|---|--|---|--|

STORE No.: # 1832

WILLOWICK, OH (Vine Street)



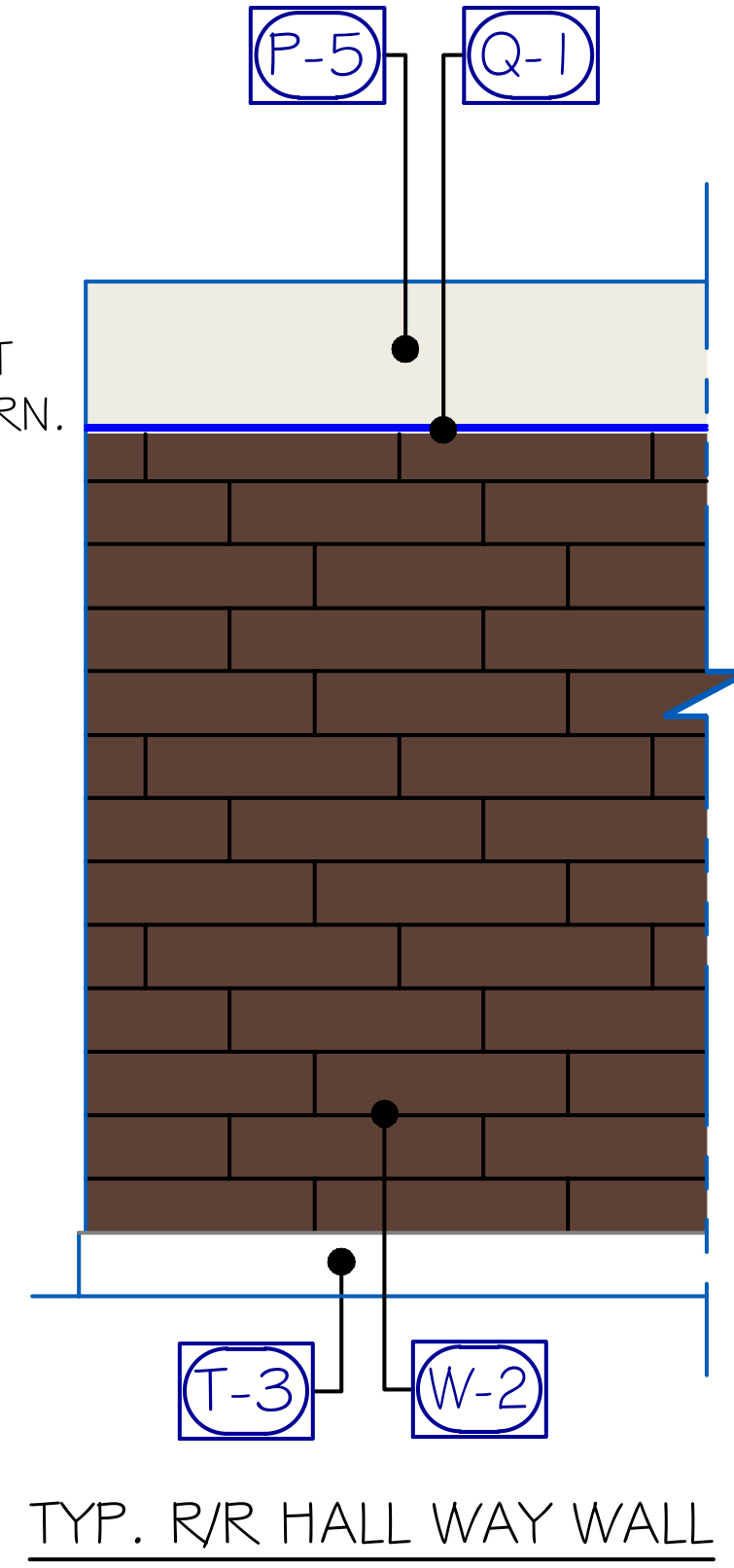
REVISION	DATE	BY

SHEET TITLE: DIVIDER WALLS
SCALE: 1/4" = 1'-0"
ADDRESS: 31219 Vine Street
Willowick, OH

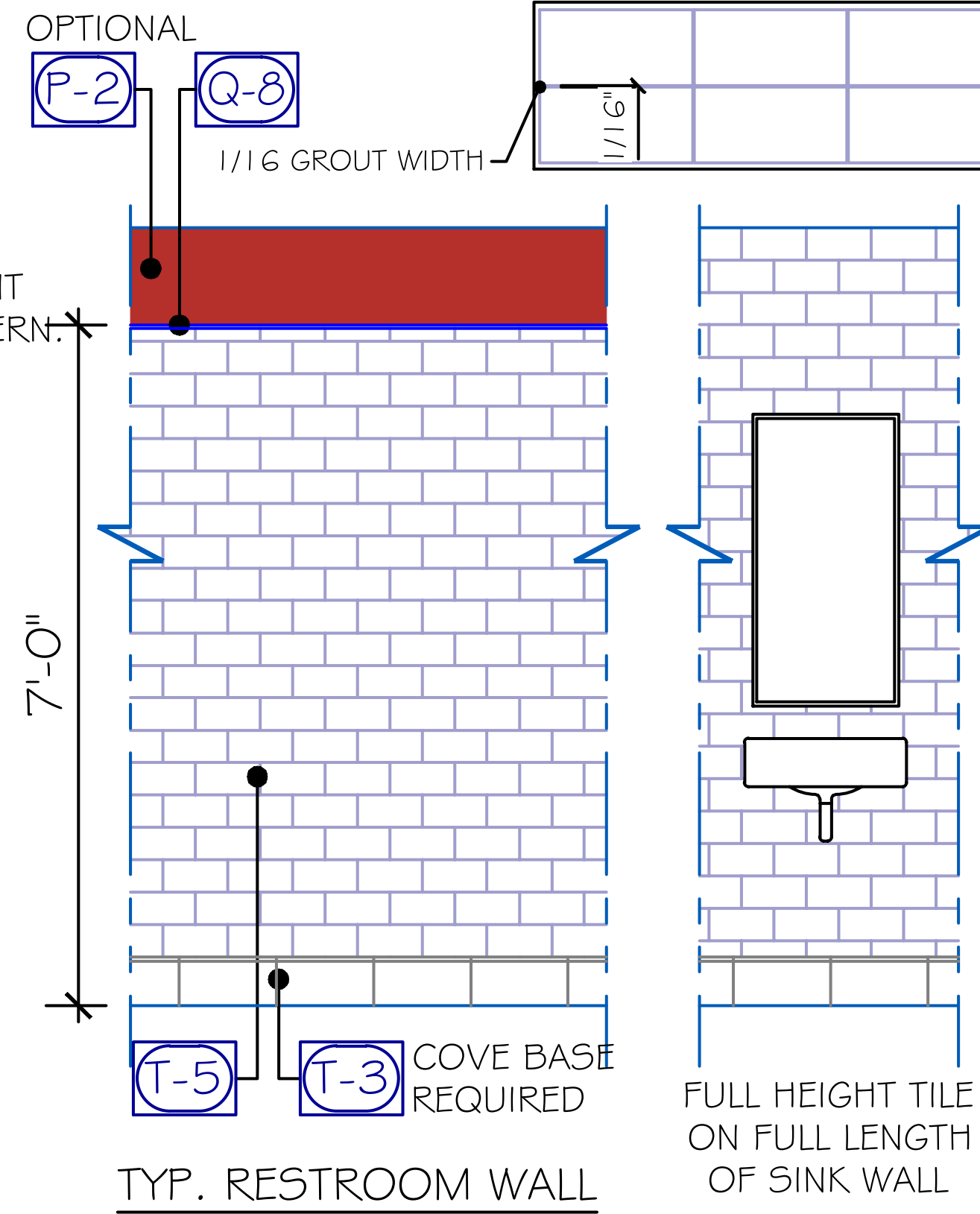


ACCOUNT: Arby's
DESIGN BY: J.V.
DATE: 07/02/24
PROJECT NO.: DW1_04853
REVISION: 00 SHEET NO.: 4

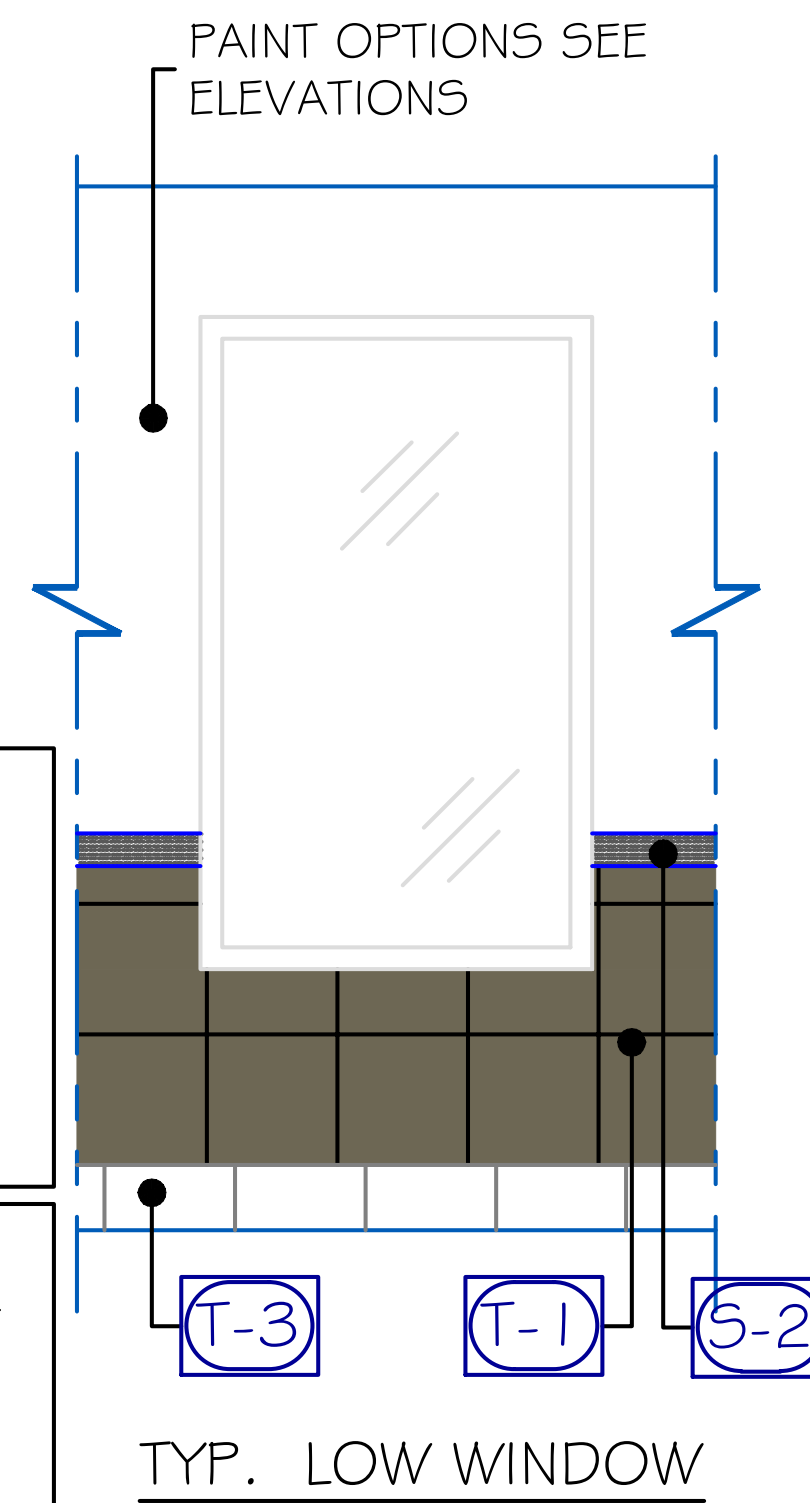
NOTE:
ALL FILL PATTERNS
SHOWN ON THE
DRAWINGS/ELEVATIONS
ARE ONLY TO HELP
SHOW DESIGN INTENT.
THEY DO NOT REPRESENT
THE TRUE INSTALL PATTERN.



NOTE:
ALL FILL PATTERNS
SHOWN ON THE
DRAWINGS/ELEVATIONS
ARE ONLY TO HELP
SHOW DESIGN INTENT.
THEY DO NOT REPRESENT
THE TRUE INSTALL PATTERN.



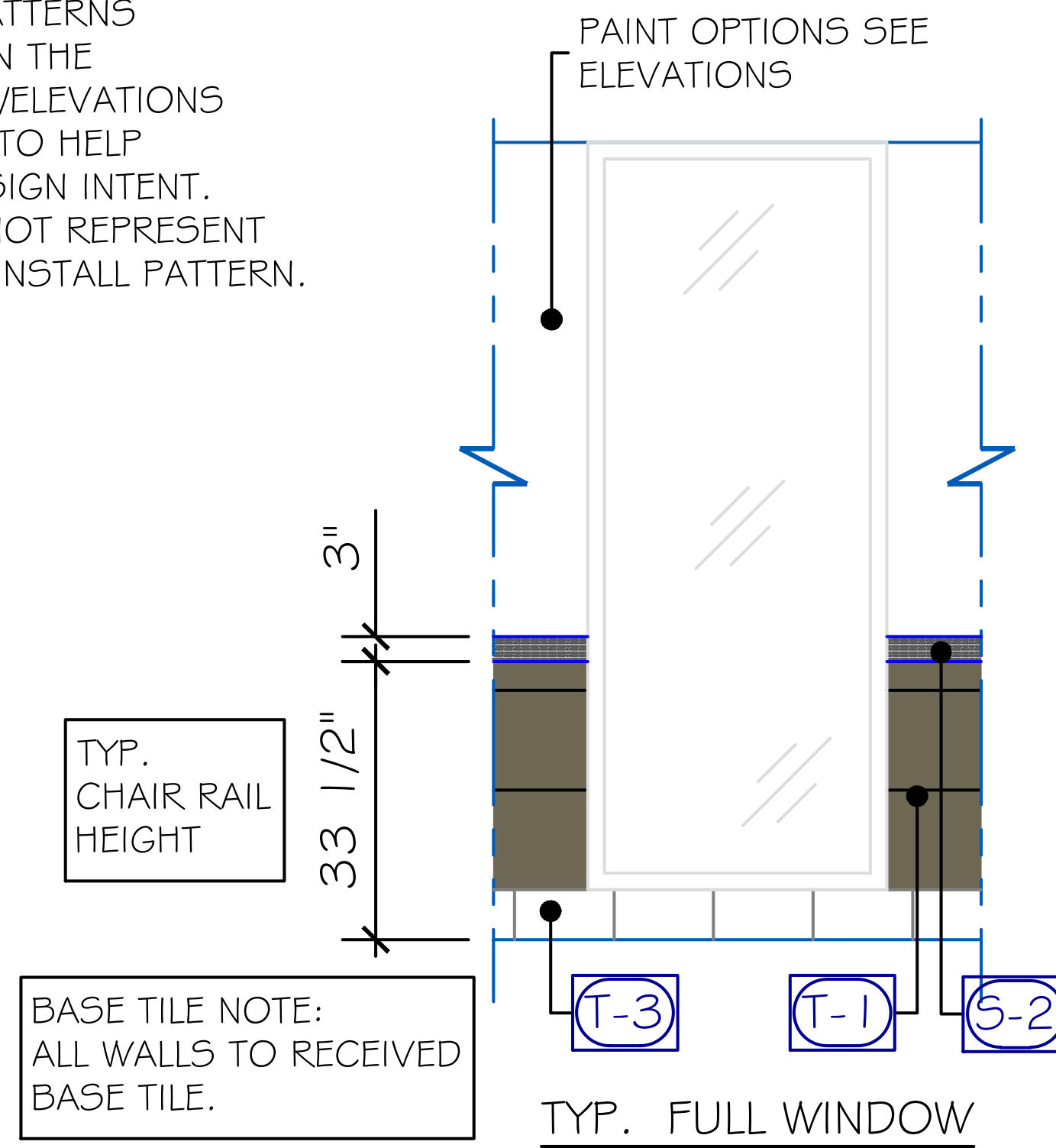
NOTE:
ALL FILL PATTERNS
SHOWN ON THE
DRAWINGS/ELEVATIONS
ARE ONLY TO HELP
SHOW DESIGN INTENT.
THEY DO NOT REPRESENT
THE TRUE INSTALL PATTERN.



WINDOW SILLS NOTE:
RE-USE EXST. CORIAN IF POSSIBLE
IF NOT G.C. TO PROVIDE & PAINT
PEPPERCORN P-8
-VERIFY WITH CONSTRUCTION
MANAGER.
CUSTOMER SERVICE 404-274-3047

WINDOW SILLS NOTE:
WINDOWS UNDER 18" WILL NOT
GET SILLS, G.C. TO WRAP TILE
AROUND CORNERS AND DIE IT
INTO THE WINDOW FRAME .

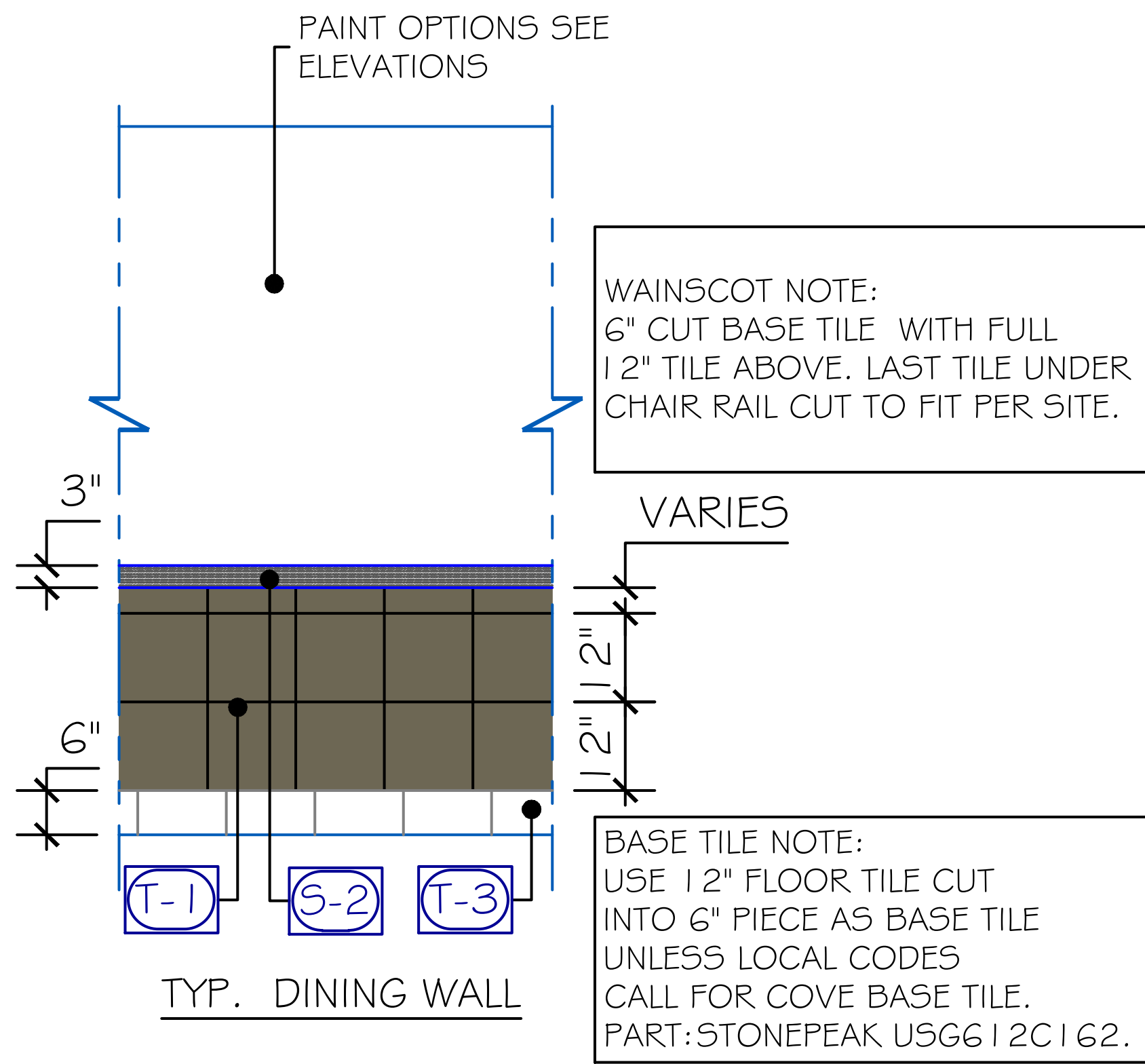
NOTE:
ALL FILL PATTERNS
SHOWN ON THE
DRAWINGS/ELEVATIONS
ARE ONLY TO HELP
SHOW DESIGN INTENT.
THEY DO NOT REPRESENT
THE TRUE INSTALL PATTERN.



BASE TILE NOTE:
ALL WALLS TO RECEIVED
BASE TILE.

TYP.
CHAIR RAIL
HEIGHT

WAINSCOT NOTE:
6" CUT BASE TILE WITH FULL
1 2" TILE ABOVE. LAST TILE UNDER
CHAIR RAIL CUT TO FIT PER SITE.



BASE TILE NOTE:
USE 1 2" FLOOR TILE CUT
INTO 6" PIECE AS BASE TILE
UNLESS LOCAL CODES
CALL FOR COVE BASE TILE.
PART: STONEPEAK USG612C162.

UNLESS OTHERWISE SPECIFIED (NOTE: Not all finishes used on every project.)

- | | | | | | |
|---|--|---|---|--|--|
| SHERWIN WILLIAMS
COLOR: SW7038 'TONY TAUPE' | SHERWIN WILLIAMS
COLOR: SW7551 'GREEK VILLA' | WOOD TOP CAP
PAINT SW7674 'PEPPERCORN' (P-8) | CROSSVILLE TILE- 12x12
SCG1 'URBAN' | CROSSVILLE TILE 4x8
COLOR BY NUMBERS WT14 'CARBON-14' GLOSS | APA GRAPHICS
CUSTOM 'CHALKBOARD VINTAGE ARBYS' |
| SHERWIN WILLIAMS
COLOR: SW6864 'CHERRY TOMATO' | SHERWIN WILLIAMS
COLOR: SW6988 'BOHEMIAN BLACK' | WOOD CHAIR RAIL
PAINT SW7674 'PEPPERCORN' (P-8) | CROSSVILLE TILE 6x24
SWG8 'LAKEWOOD' | LAMINATE: PIONITE WW011 SUEDE
'KINGSLEY' | TILE EDGE PROTECTOR Q100MGS
SCHLUTER MATTE BLACK ALUIM. |
| SHERWIN WILLIAMS
COLOR: SW6083 'SABLE GLOSS' | SHERWIN WILLIAMS
COLOR: SW7674 'PEPPERCORN' | WOOD ACCENT TRIM
PAINT SW7674 'PEPPERCORN' (P-8) | CROSSVILLE TILE- COVE BASE 6x12
SCG1 'URBAN' | LAMINATE: PIONITE WX110 SUEDE
'SMOOTH PADDLIN' | TILE EDGE PROTECTOR Q100MGS
SCHLUTER MATTE BLACK ALUIM. |
| SHERWIN WILLIAMS
COLOR: SW7005 'PURE WHITE' | POCELAIN TILE - WOOD GRAIN
KNOXWOOD NUTMEG | SOLID SURFACE
CORIAN 'GLACIER WHITE' | CROSSVILLE TILE 4x8
COLOR BY NUMBERS WT02 'TEA FOR TWO'
GLOSS | LAMINATE: FORMICA 5884-58
'CHESTNUT WOODLINE'
OPTIONAL LAM: FORMICA F0909-58 'BLACK' | |

STORE No.: # 1832

WILLOWICK, OH (Vine Street)

CITY, ST

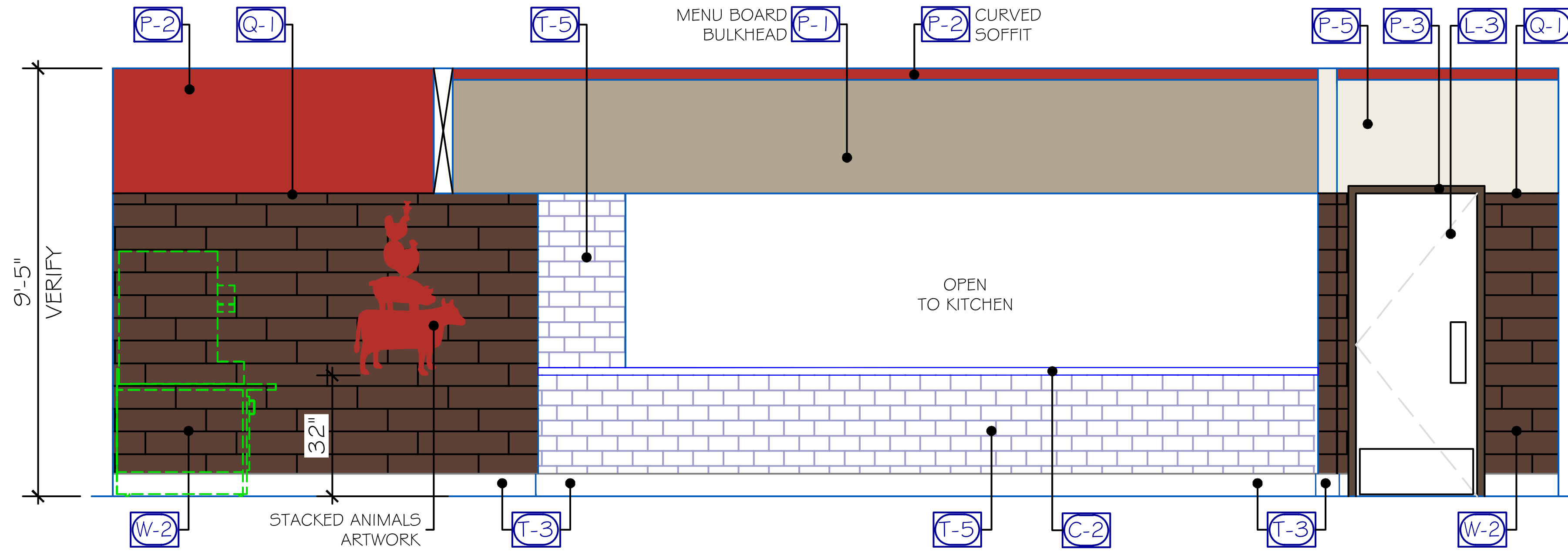


REVISION	DATE	BY

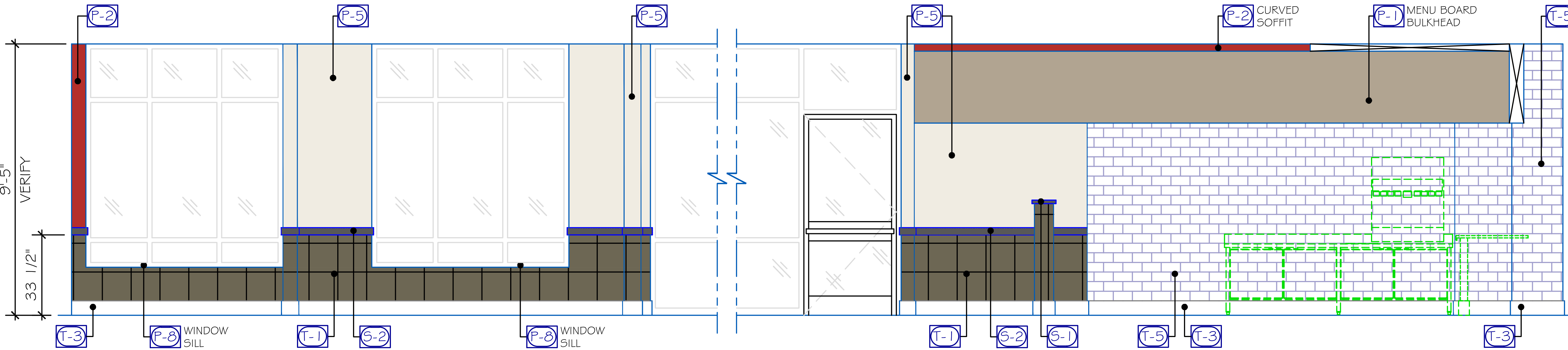
SHEET TITLE:
ELEVATIONS (TYP.)
SCALE: 1/4" = 1'-0"
ADDRESS:
31219 Vine Street
Willowick, OH

ACCOUNT:
Arby's
DESIGN BY:
J.V.
DATE: 07/02/24
PROJECT NO.:
E1_04853
REVISION: 00
SHEET NO.: 5

NOTE: (IF PAINT OPTION CHOSEN) PAINTER SHOULD MUD # PRIME WALL PRIOR TO PAINTING TO A LEVEL 5 FINISH.



ELEVATION A



ELEVATION B

NOTE:
TILED WALLS TO RECEIVE BRUSHED ALUMINUM
SCHLUTER EDGE PROTECTOR ON ALL OUTSIDE CORNERS.

NOTE:
ALL FILL PATTERNS SHOWN ON THE DRAWINGS/ELEVATIONS
ARE ONLY TO HELP SHOW DESIGN INTENT.
THEY DO NOT REPRESENT THE TRUE INSTALL PATTERN.

UNLESS OTHERWISE SPECIFIED (NOTE: Not all finishes used on every project.)

- | | | | | | |
|--|--|---|--|---|---|
| <ul style="list-style-type: none"> SHERWIN WILLIAMS COLOR: SW7038 'TONY TAUPE' SHERWIN WILLIAMS COLOR: SW6864 'CHERRY TOMATO' SHERWIN WILLIAMS COLOR: SW6083 'SABLE GLOSS' SHERWIN WILLIAMS COLOR: SW7005 'PURE WHITE' | <ul style="list-style-type: none"> SHERWIN WILLIAMS COLOR: SW7551 'GREEK VILLA' SHERWIN WILLIAMS COLOR: SW6988 'BOHEMIAN BLACK' SHERWIN WILLIAMS COLOR: SW7674 'PEPPERCORN' POCELAIN TILE - WOOD GRAIN KNOXWOOD NUTMEG | <ul style="list-style-type: none"> WOOD TOP CAP PAINT SW7674 'PEPPERCORN' (P-8) WOOD CHAIR RAIL PAINT SW7674 'PEPPERCORN' (P-8) WOOD ACCENT TRIM PAINT SW7674 'PEPPERCORN' (P-8) SOLID SURFACE CORIAN 'GLACIER WHITE' | <ul style="list-style-type: none"> CROSSVILLE TILE- 12x12 SCG1 'URBAN' CROSSVILLE TILE 6x24 SWG8 'LAKEWOOD' CROSSVILLE TILE- COVE BASE 6x12 SCG1 'URBAN' CROSSVILLE TILE 4x8 COLOR BY NUMBERS WT02 'TEA FOR TWO' GLOSS | <ul style="list-style-type: none"> CROSSVILLE TILE 4x8 COLOR BY NUMBERS WT14 'CARBON-14' GLOSS LAMINATE: PIONITE WW011 SUEDE 'KINGSLEY' LAMINATE: PIONITE WX110 SUEDE 'SMOOTH PADDLIN' LAMINATE: FORMICA 5884-58 'CHESTNUT WOODLINE' OPTIONAL LAM: FORMICA F0909-58 'BLACK' | <ul style="list-style-type: none"> APA GRAPHICS CUSTOM 'CHALKBOARD VINTAGE ARBYS' TILE EDGE PROTECTOR Q100MGS SCHLUTER MATTE BLACK ALUIM. TILE EDGE PROTECTOR Q100MGS SCHLUTER MATTE BLACK ALUIM. |
|--|--|---|--|---|---|

STORE No.: # 1832

WILLOWICK, OH (Vine Street)

CITY, ST

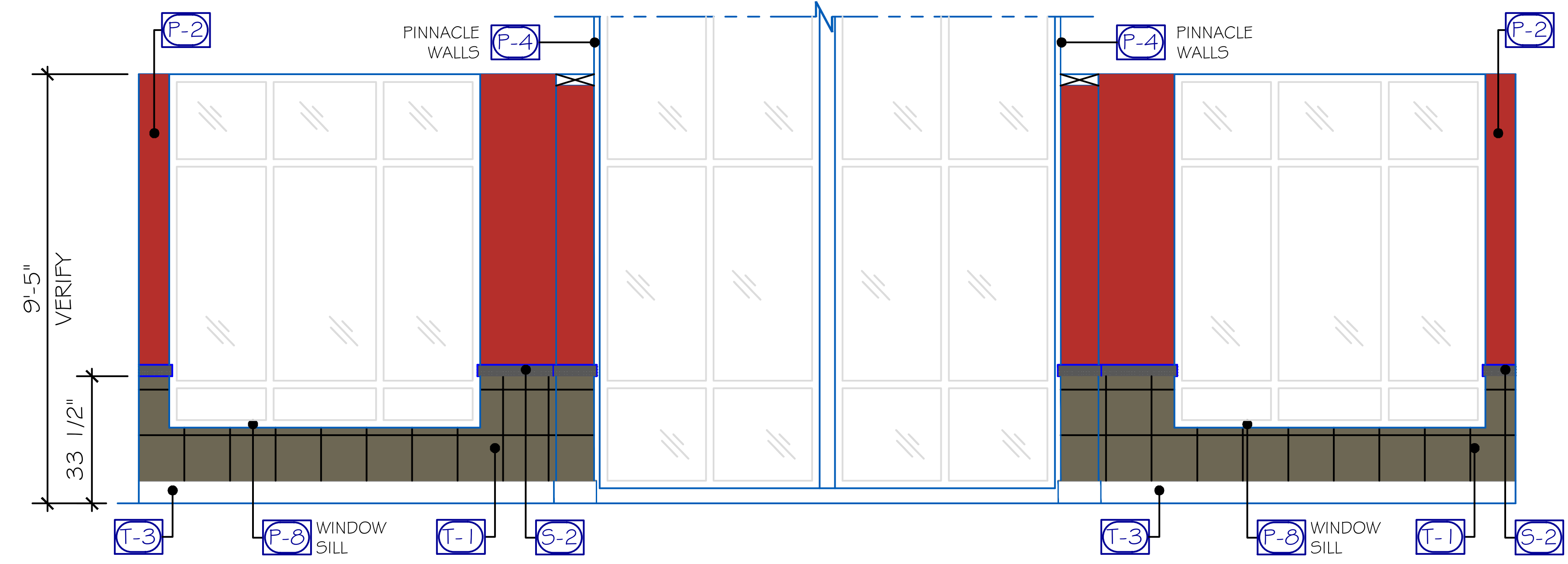


REVISION	DATE	BY

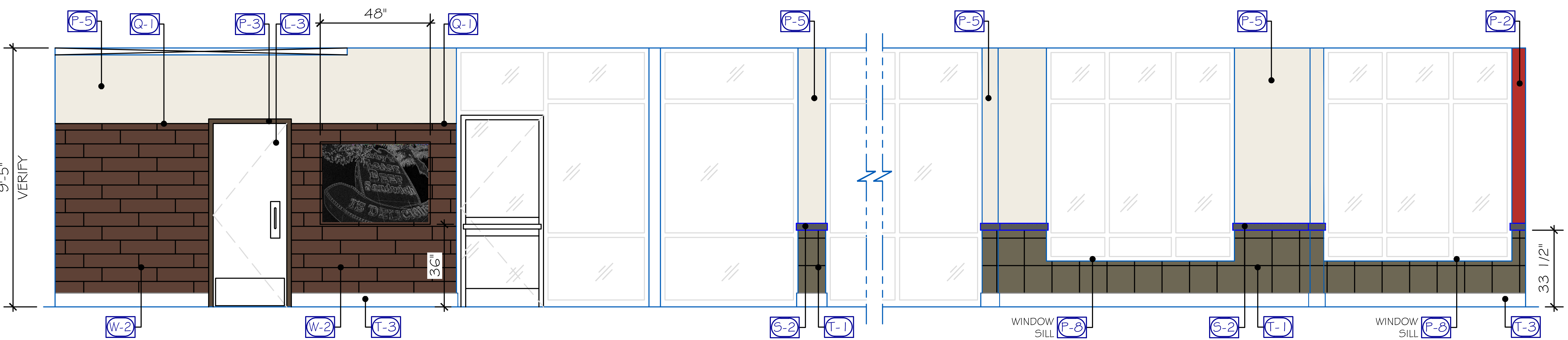
SHEET TITLE: ELEVATIONS
SCALE: 1/4" = 1'-0"
ADDRESS: 31219 Vine Street
Willowick, OH

ACCOUNT: Arby's
DESIGN BY: J.V.
DATE: 07/02/24
PROJECT NO.: E2 04853
REVISION: 00 SHEET NO.: 6

NOTE: (IF PAINT OPTION CHOSEN) PAINTER SHOULD MUD # PRIME WALL PRIOR TO PAINTING TO A LEVEL 5 FINISH.



ELEVATION C




ELEVATION D

UNLESS OTHERWISE SPECIFIED (NOTE: Not all finishes used on every project.)

- | | | | | | |
|--|--|---|--|---|---|
| <ul style="list-style-type: none"> P-1 SHERWIN WILLIAMS COLOR: SW7038 'TONY TAUPE' P-2 SHERWIN WILLIAMS COLOR: SW6864 'CHERRY TOMATO' P-3 SHERWIN WILLIAMS COLOR: SW6083 'SABLE GLOSS' P-4 SHERWIN WILLIAMS COLOR: SW7005 'PURE WHITE' | <ul style="list-style-type: none"> P-5 SHERWIN WILLIAMS COLOR: SW7551 'GREEK VILLA' P-7 SHERWIN WILLIAMS COLOR: SW6988 'BOHEMIAN BLACK' P-8 SHERWIN WILLIAMS COLOR: SW7674 'PEPPERCORN' W-2 POCELAIN TILE - WOOD GRAIN KNOXWOOD NUTMEG | <ul style="list-style-type: none"> S1 WOOD TOP CAP PAINT SW7674 'PEPPERCORN' (P-8) S2 WOOD CHAIR RAIL PAINT SW7674 'PEPPERCORN' (P-8) S3 WOOD ACCENT TRIM PAINT SW7674 'PEPPERCORN' (P-8) C2 SOLID SURFACE CORIAN 'GLACIER WHITE' | <ul style="list-style-type: none"> T-1 CROSSVILLE TILE- 12x12 SCG1 'URBAN' T-2 CROSSVILLE TILE 6x24 SWG8 'LAKEWOOD' T-3 CROSSVILLE TILE- COVE BASE 6x12 SCG1 'URBAN' T-5 CROSSVILLE TILE 4x8 COLOR BY NUMBERS WT02 'TEA FOR TWO' GLOSS | <ul style="list-style-type: none"> T-6 CROSSVILLE TILE 4x8 COLOR BY NUMBERS WT14 'CARBON-14' GLOSS L-1 LAMINATE: PIONITE WW011 SUEDE 'KINGSLEY' L-2 LAMINATE: PIONITE WX110 SUEDE 'SMOOTH PADDLIN' L-3 LAMINATE: FORMICA 5884-58 'CHESTNUT WOODLINE' OPTIONAL LAM: FORMICA F0909-58 'BLACK' | <ul style="list-style-type: none"> V3 APA GRAPHICS CUSTOM 'CHALKBOARD VINTAGE ARBYS' Q-1 TILE EDGE PROTECTOR Q100MGS SCHLUTER MATTE BLACK ALUIM. Q-8 TILE EDGE PROTECTOR Q100MGS SCHLUTER MATTE BLACK ALUIM. |
|--|--|---|--|---|---|

STORE No.: # 1832


WILLOWICK, OH (Vine Street)



356 Industrial Road - Newport, TN 37821

REVISION	DATE	BY

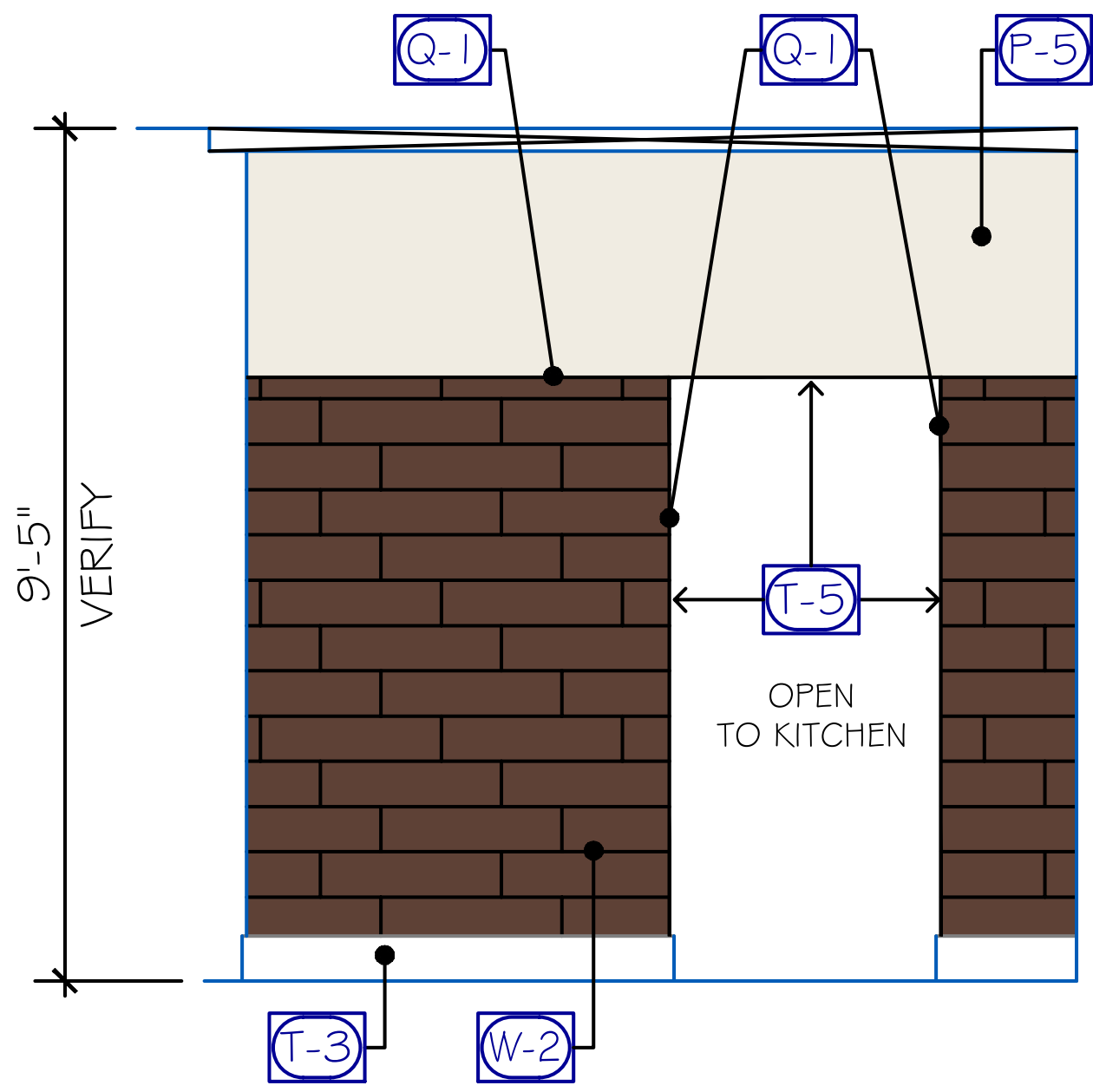
SHEET TITLE: ELEVATIONS
SCALE: 1/4" = 1'-0"
ADDRESS: 31219 Vine Street
Willowick, OH



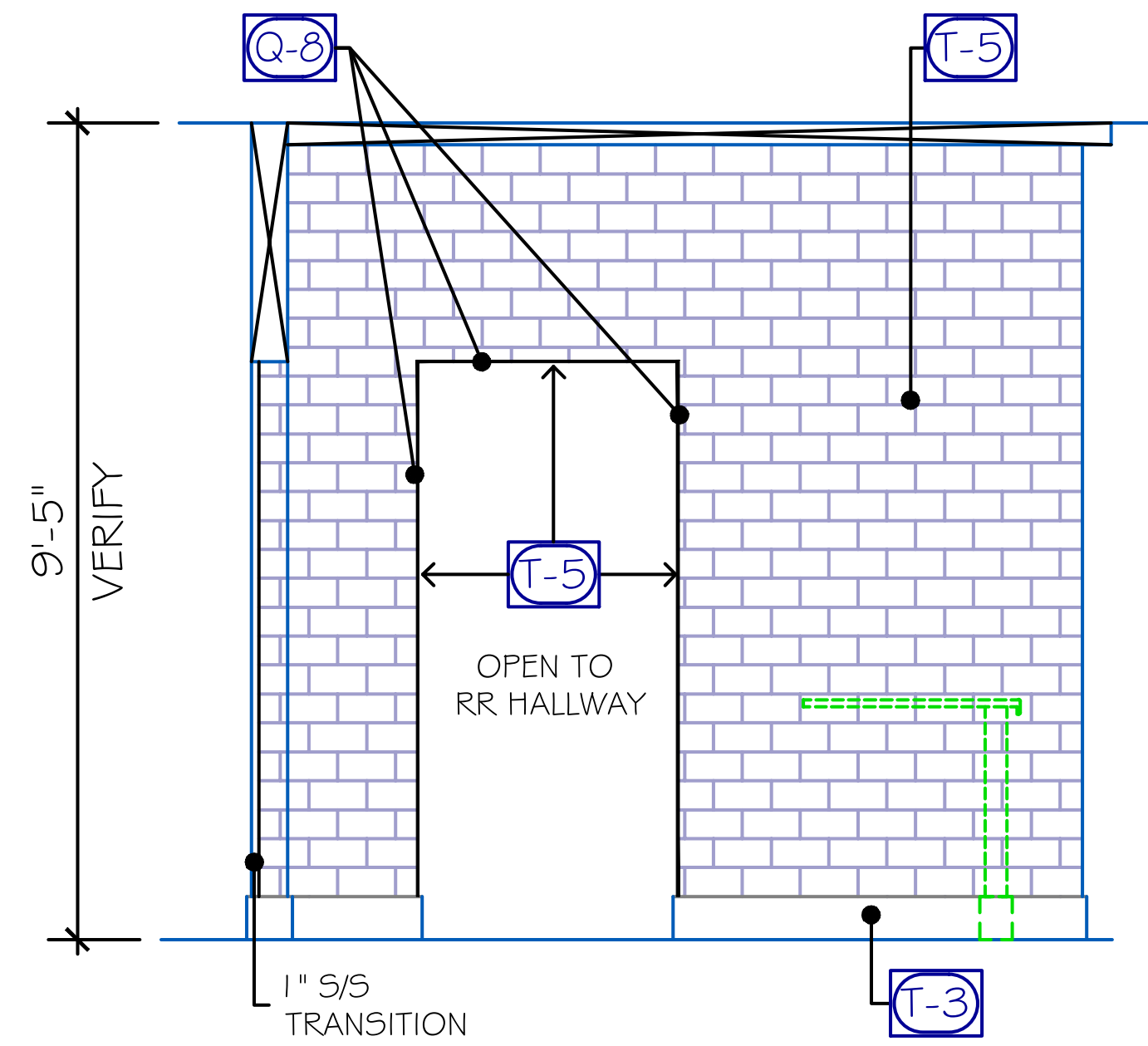
ACCOUNT: Arby's
DESIGN BY: J.V.
DATE: 07/02/24
PROJECT NO.: E3 04853
REVISION: 00
SHEET NO.: 7

1 | 2 | 3 | 4 | 5 | 6 | 7 |

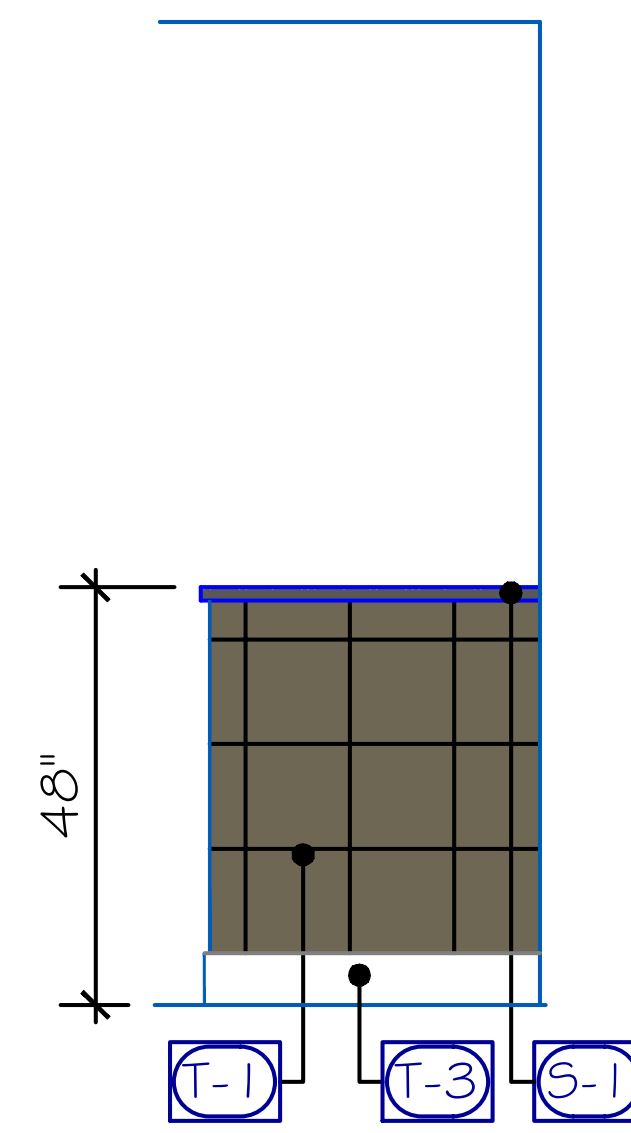
NOTE: (IF PAINT OPTION CHOSEN) PAINTER SHOULD MUD # PRIME WALL PRIOR TO PAINTING TO A LEVEL 5 FINISH.



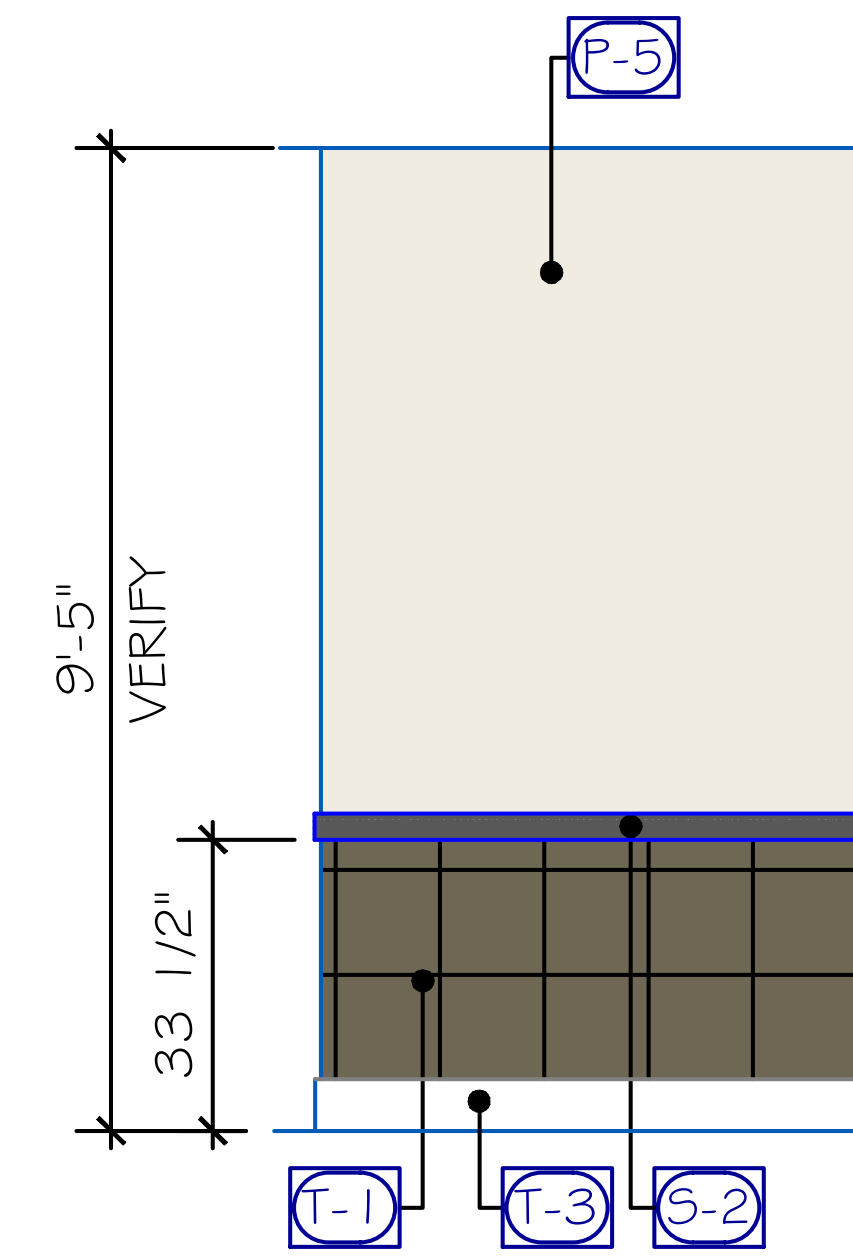
ELEVATION E



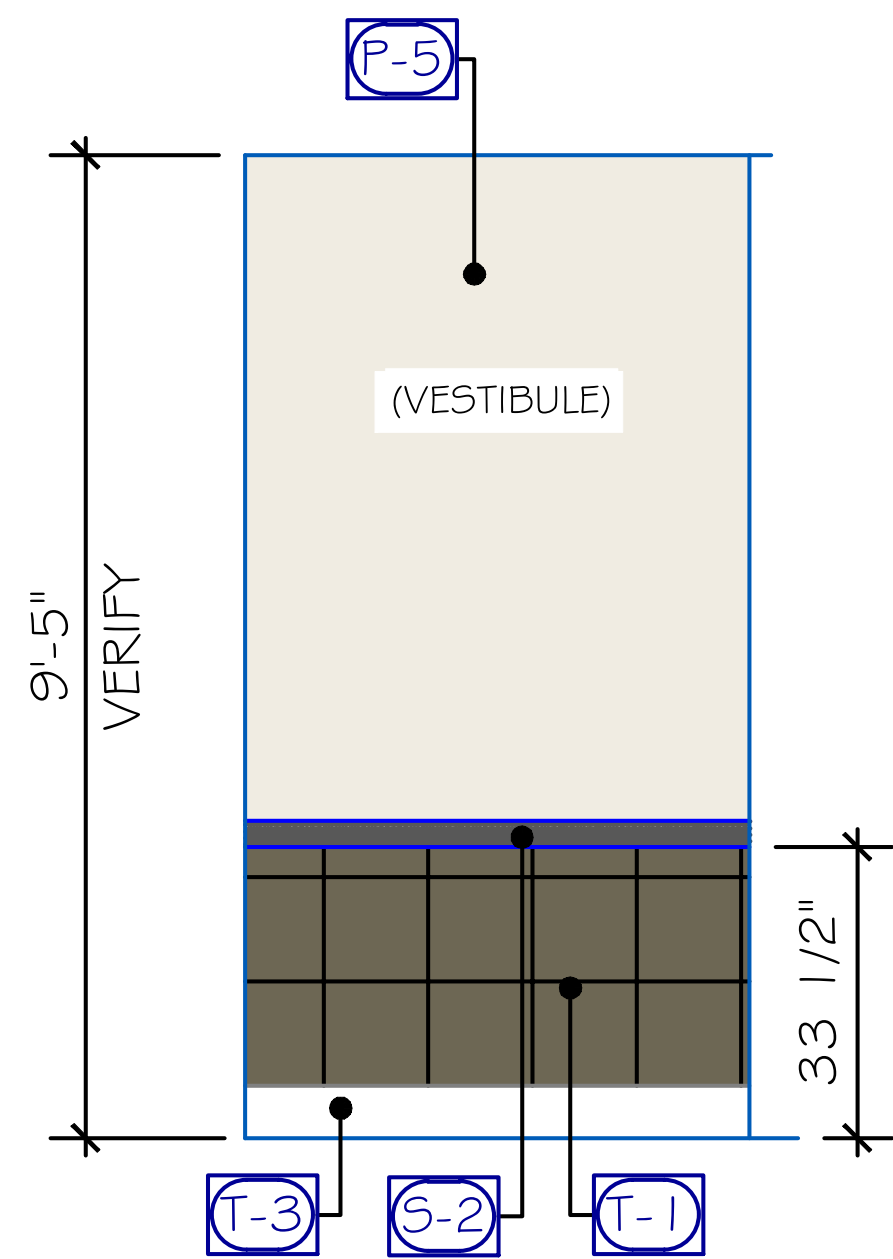
ELEVATION F



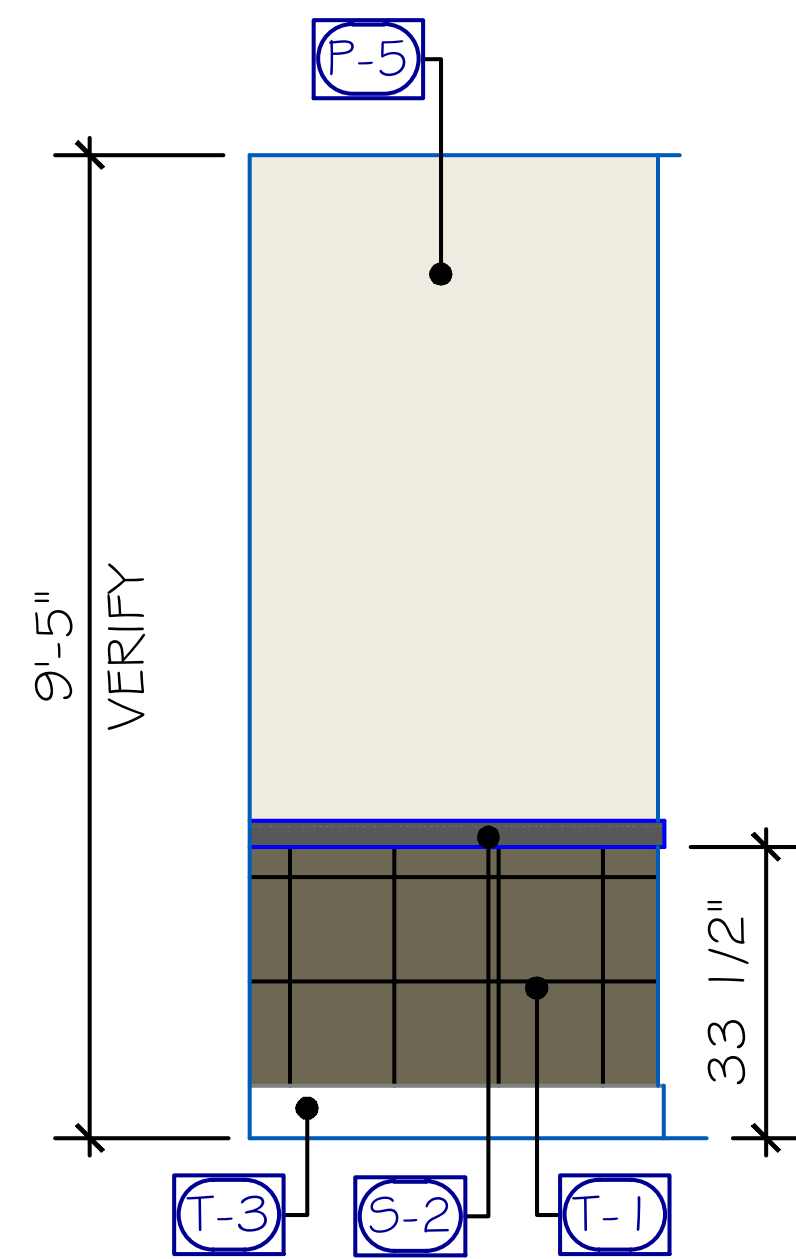
ELEVATION G



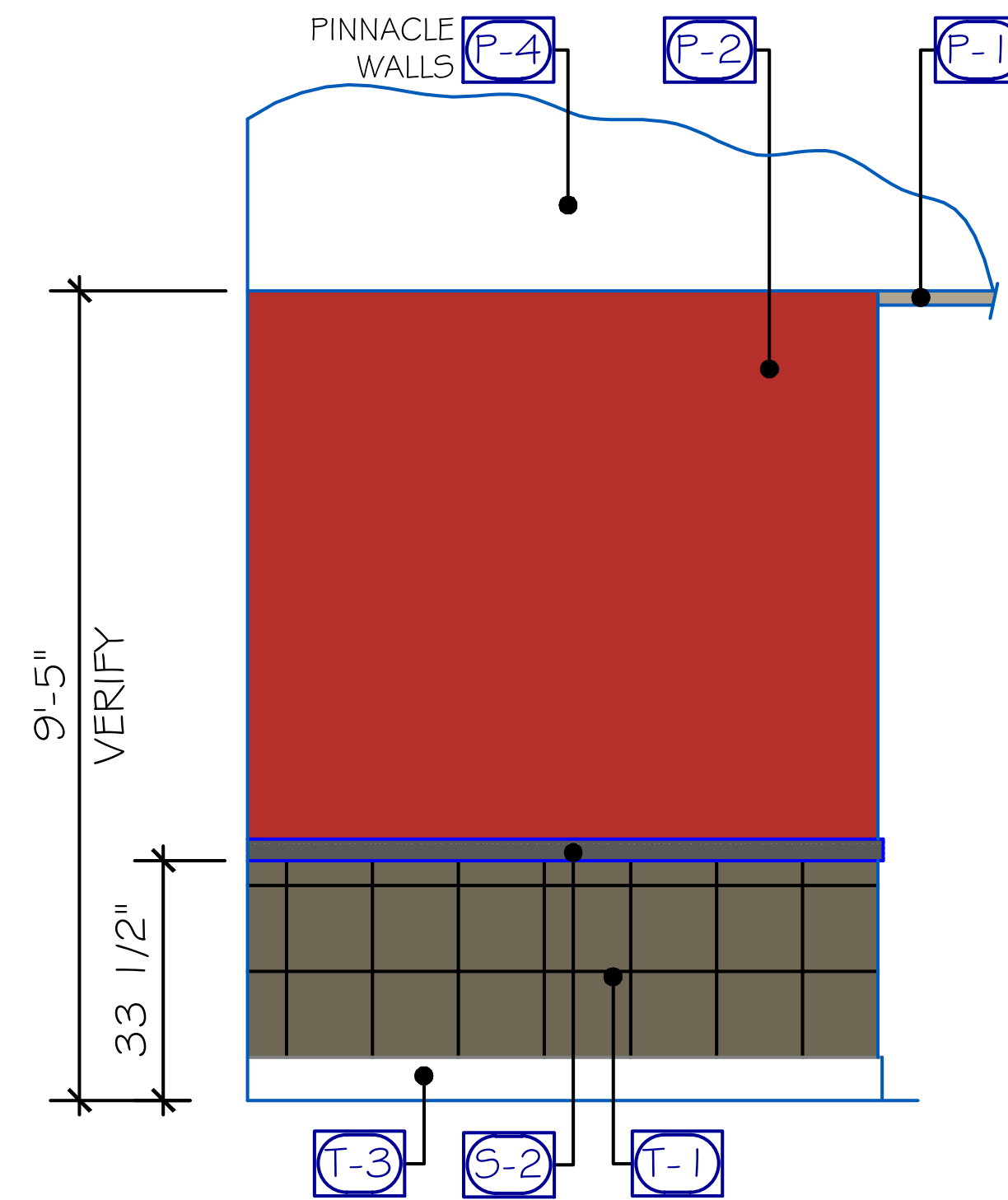
ELEVATION H



ELEVATION J



ELEVATION K
(TYP. FINISHES AROUND WALL)
(OCCURS 5X - LENGTHS VARY)



ELEVATION L
(TYP. FINISHES AROUND WALL)
(OCCURS 2X - 1 MIRROR IMAGE)

NOTE:
TILED WALLS TO RECEIVE BRUSHED ALUMINUM
SCHLUTER EDGE PROTECTOR ON ALL OUTSIDE CORNERS.

NOTE:
ALL FILL PATTERNS SHOWN ON THE DRAWINGS/ELEVATIONS
ARE ONLY TO HELP SHOW DESIGN INTENT.
THEY DO NOT REPRESENT THE TRUE INSTALL PATTERN.

UNLESS OTHERWISE SPECIFIED (NOTE: Not all finishes used on every project.)

- | | | | | | |
|--|--|---|--|---|--|
| <ul style="list-style-type: none"> P-1 SHERWIN WILLIAMS COLOR: SW7038 'TONY TAUPE' P-2 SHERWIN WILLIAMS COLOR: SW6864 'CHERRY TOMATO' P-3 SHERWIN WILLIAMS COLOR: SW6083 'SABLE GLOSS' P-4 SHERWIN WILLIAMS COLOR: SW7005 'PURE WHITE' | <ul style="list-style-type: none"> P-5 SHERWIN WILLIAMS COLOR: SW7551 'GREEK VILLA' P-7 SHERWIN WILLIAMS COLOR: SW6988 'BOHEMIAN BLACK' P-8 SHERWIN WILLIAMS COLOR: SW7674 'PEPPERCORN' W-2 POCELAIN TILE - WOOD GRAIN KNOXWOOD NUTMEG | <ul style="list-style-type: none"> S1 WOOD TOP CAP PAINT SW7674 'PEPPERCORN' (P-8) S2 WOOD CHAIR RAIL PAINT SW7674 'PEPPERCORN' (P-8) S3 WOOD ACCENT TRIM PAINT SW7674 'PEPPERCORN' (P-8) C2 SOLID SURFACE CORIAN 'GLACIER WHITE' | <ul style="list-style-type: none"> T-1 CROSSVILLE TILE- 12x12 SCG1 'URBAN' T-2 CROSSVILLE TILE 6x24 SWG8 'LAKEWOOD' T-3 CROSSVILLE TILE- COVE BASE 6x12 SCG1 'URBAN' T-5 CROSSVILLE TILE 4x8 COLOR BY NUMBERS WT02 'TEA FOR TWO' GLOSS | <ul style="list-style-type: none"> T-6 CROSSVILLE TILE 4x8 COLOR BY NUMBERS WT14 'CARBON-14' GLOSS L-1 LAMINATE: PIONITE WW011 SUEDE 'KINGSLEY' L-2 LAMINATE: PIONITE WX110 SUEDE 'SMOOTH PADDLIN' L-3 LAMINATE: FORMICA 5884-58 'CHESTNUT WOODLINE' OPTIONAL LAM: FORMICA F0909-58 'BLACK' | <ul style="list-style-type: none"> V3 APA GRAPHICS CUSTOM 'CHALKBOARD VINTAGE ARBYS' Q-1 TILE EDGE PROTECTOR Q100MGS SCHLUTER MATTE BLACK ALUIM. Q-8 TILE EDGE PROTECTOR Q100MGS SCHLUTER MATTE BLACK ALUIM. |
|--|--|---|--|---|--|

STORE No.: # 1832

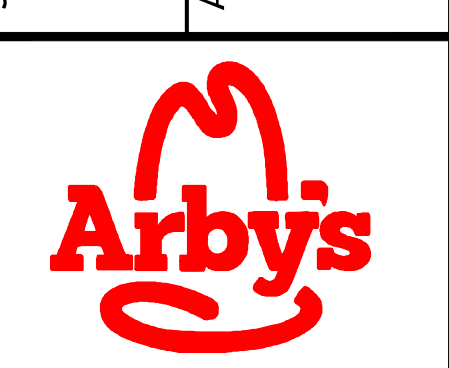
WILLOWICK, OH (Vine Street)

CITY, ST



REVISION	DATE	BY

SHEET TITLE: ELEVATIONS
SCALE: 1/4" = 1'-0"
ADDRESS: 31219 Vine Street
Willowick, OH



ACCOUNT: Arby's
DESIGN BY: J.V.
DATE: 07/02/24
PROJECT NO.: E4_04853
REVISION: 00 SHEET NO.: 8

CEILING SCHEDULE

SYMBOLS	QTY.
	-
	3
	2
	-
	P1
	P2
	-

CEILING AND LIGHTING

HVAC, FLUORESCENT FIXTURES, THERMOSTATS AND EXIT SIGNS:

FURNISHED BY G.C. **INSTALLED BY** G.C.

UNLESS OTHERWISE SPECIFIED (SEE RCP) EXISTING TO REMAIN, PER THE STANDARD ARCHITECTURAL SPECIFICATIONS.

ACOUSTICAL CEILING TILE AND T-BAR GRID:

FURNISHED BY G.C. **INSTALLED BY** G.C.

MANUFACTURE: ARMSTRONG
 MODEL: FINE FISSURED 1728 WHITE
 SIZE: 24" x 24" x 5/8" SQUARE EDGE
 T-GRID: PRELUDE XL
 FOR EXISTING CEILING & GRID - PAINT: SW7005 PURE WHITE

CONTACT:
 LOUIS JOHN
 877-276-7876

PENDANT LIGHT 2:

FURNISHED BY OWNER **INSTALLED BY** E.C.

MANUFACTURE: KITCHLER LIGHTING
 MODEL: 78200 BRONZE
 BULBS: (1) 100W (M) BULB NOT INCLUDED
 CENTERED ABOVE TABLETOPS - 78" HGT AFF

WALL SCNCE:

FURNISHED BY OWNER **INSTALLED BY** E.C.

MANUFACTURE: SOUTHERN LIGHTING SOURCE
 MODEL: BESA DARCI SLS272607-GU24-BR W/LAMP
 BULBS: (5) 120V, 40W, G9 HALOGEN BASE LAMPS INCLUDED. CENTERED ON WALLS - 66" HGT AFF

LAMINATED SOFFIT:

FURNISHED BY CMI **INSTALLED BY** G.C.

DESCRIPTION: LAMINATED CEILING SOFFIT
 SIZE: 58" x 120" x 4"
 FINISH: FORMICA SPECTRUM RED
 G.C. TO RELOCATE ANY EXISTING AIR VENTS OR LIGHTING, OVER THE NEW LAMINATED SOFFIT

WALL PAINT 1:

FURNISHED BY G.C. **INSTALLED BY** G.C.

DESCRIPTION: (P1)
 COLOR: SHERWIN WILLIAMS SW7038 'TONY TAUPE'

WALL PAINT 2:

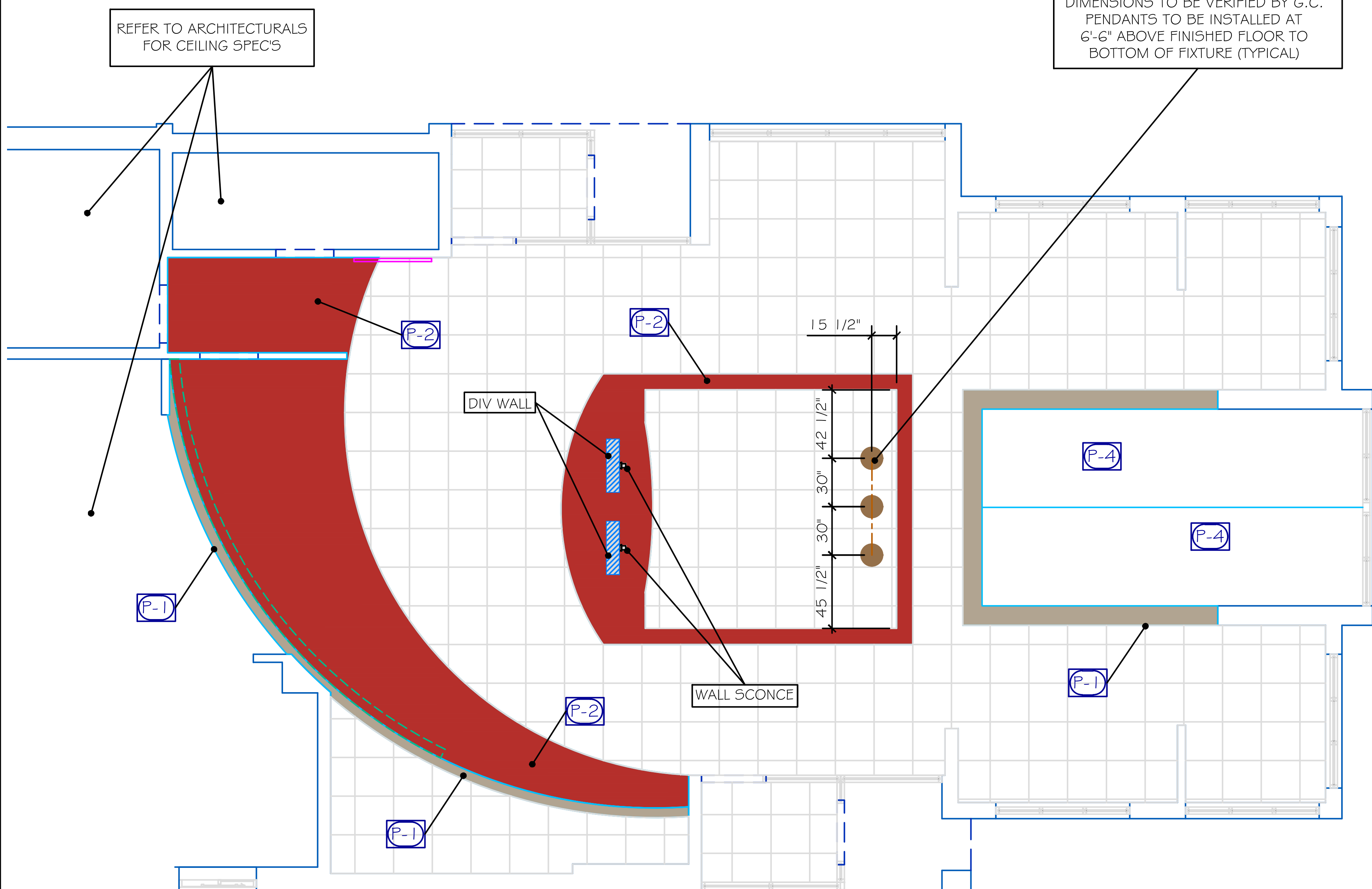
FURNISHED BY G.C. **INSTALLED BY** G.C.

DESCRIPTION: (P2)
 COLOR: SHERWIN WILLIAMS SW6864 'CHERRY TOMATO'

RECESSED CAN LIGHTS:

FURNISHED BY OWNER **INSTALLED BY** G.C.

MANUFACTURE: CREE
 MODEL: CR6T-825-27K-12-E25/RC6-GU24 E26 ADAPTER
 LAMP TYPE: LED ENGINE



IMPORTANT CEILING NOTES:

1) ALL EXISTING 2X2 AND 2X4 LIGHT FIXTURES TO BE REPLACED WITH RECESSED CAN LIGHTS BY GC. AS APPROVED BY DIRECTOR OF CONSTRUCTION. SEE COMPLETE SPEC IN CEILING SCHEDULE

2) ANY HVAC SUPPLIES OR RETURNS THAT INTERFERE WITH NEW CEILING BOXES NEED TO BE SHIFTED BY GC PRIOR TO CEILING BOX INSTALLATION AND PAINTED #P1.

RECESSED CAN LIGHTS NOTES:

G.C. TO REFER TO ARCHITECTURAL PLANS FOR ALL RECESSED/ARCHITECTURAL LIGHTING

STORE No.: # 1832

WILLOWICK, OH (Vine Street)

CITY, ST



REVISION	DATE	BY

SHEET TITLE: REFLECTED CEILING PLAN
SCALE: 1/8" = 1'-0"
ADDRESS: 31219 Vine Street
 Willowick, OH

Arby's

ACCOUNT: Arby's
DESIGN BY: J.V.
DATE: 07/02/24
PROJECT NO.: RCP1_04853
REVISION: 00 **SHEET NO.:** 10