

Prepared for:
RUSS TENEROVE
WILLOWICK CITY OF
30435 LAKESHORE BLVD
WILLOWICK, OH 44095
Phone: 440-585-0963

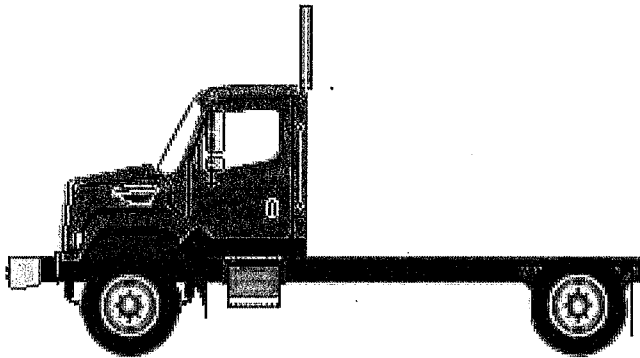
Prepared by:
Greg Simonic
CLEVELAND FREIGHTLINER, INC.
10901 Brookpark Rd
Parma, OH 44130
Phone: 216-267-4800

A proposal for
WILLOWICK CITY OF

Prepared by
CLEVELAND FREIGHTLINER, INC.
Greg Simonic

Oct 21, 2025

Freightliner 108SD Plus



Components shown may not reflect all spec'd options and are not to scale



Prepared for:
 RUSS TENEROVE
 WILLOWICK CITY OF
 30435 LAKESHORE BLVD
 WILLOWICK, OH 44095
 Phone: 440-585-0963

Prepared by:
 Greg Simonic
 CLEVELAND FREIGHTLINER, INC.
 10901 Brookpark Rd
 Parma, OH 44130
 Phone: 216-267-4800

S P E C I F I C A T I O N P R O P O S A L

Data Code	Description	Weight Front	Weight Rear	
Price Level				
PRL-30D	SD PRL-30D (EFF:MY27 ORDERS)			
Data Version				
DRL-010	SPECPRO21 DATA RELEASE VER 010			
Vehicle Configuration				
	001-176	108SD PLUS CONVENTIONAL CHASSIS	6,829	3,748
	004-227	2027 MODEL YEAR SPECIFIED		
	002-004	SET BACK AXLE - TRUCK		
N	019-008	TOWING PROVISION AT END OF FRAME WITH SAE J560, WITHOUT END OF FRAME AIR CONNECTIONS	15	15
	003-001	LH PRIMARY STEERING LOCATION		
General Service				
	AA1-003	TRUCK/TRAILER CONFIGURATION		
	AA6-002	DOMICILED, USA 50 STATES (EPA CLEAN IDLE LABEL OR NO CLEAN IDLE REQUIRED)		
	99D-027	EPA CLEAN IDLE LABEL - (INCLUDES 6X4 INCH LABEL ON LOWER FORWARD OF DRIVER DOOR)		
	A85-010	UTILITY/REPAIR/MAINTENANCE SERVICE		
	A84-1GM	GOVERNMENT BUSINESS SEGMENT		
	AA4-010	DIRT/SAND/ROCK COMMODITY		
	AA5-002	TERRAIN/DUTY: 100% (ALL) OF THE TIME, IN TRANSIT, IS SPENT ON PAVED ROADS		
	AB1-008	MAXIMUM 8% EXPECTED GRADE		
	AB5-001	SMOOTH CONCRETE OR ASPHALT PAVEMENT - MOST SEVERE IN-TRANSIT (BETWEEN SITES) ROAD SURFACE		
	995-1A0	FREIGHTLINER SD VOCATIONAL WARRANTY		
	A66-99D	EXPECTED FRONT AXLE(S) LOAD : 14780.0 lbs		
	A68-99D	EXPECTED REAR DRIVE AXLE(S) LOAD : 23000.0 lbs		
	A63-99D	EXPECTED GROSS VEHICLE WEIGHT CAPACITY : 37780.0 lbs		
	A70-99D	EXPECTED GROSS COMBINATION WEIGHT : 80000.0 lbs		



Prepared for:
 RUSS TENEROVE
 WILLOWICK CITY OF
 30435 LAKESHORE BLVD
 WILLOWICK, OH 44095
 Phone: 440-585-0963

Prepared by:
 Greg Simonic
 CLEVELAND FREIGHTLINER, INC.
 10901 Brookpark Rd
 Parma, OH 44130
 Phone: 216-267-4800

Data Code	Description	Weight Front	Weight Rear
Truck Service			
AA3-018	FRONT PLOW/END DUMP BODY		
AF3-1W0	HENDERSON		
Engine			
101-3BP	CUM L9 330 HP @ 2200 RPM; 2200 GOV RPM, 1000 LB-FT @ 1200 RPM		
Electronic Parameters			
79A-070	70 MPH ROAD SPEED LIMIT		
79B-000	CRUISE CONTROL SPEED LIMIT SAME AS ROAD SPEED LIMIT		
79M-001	PTO ENGINE SPEED CONTROL DEACTIVATED BY SERVICE BRAKE LIGHTLY APPLIED (STATIONARY APPLICATIONS)		
79Q-007	PTO RPM WITH CRUISE RESUME SWITCH - 1100 RPM		
79U-007	PTO GOVERNOR RAMP RATE - 250 RPM PER SECOND		
79V-001	FUEL DOSING OF AFTERTREATMENT ENABLED IN PTO MODE-CLEANS HYDROCARBONS AT HIGH TEMPERATURES ONLY		
79W-024	CRUISE CONTROL BUTTON PTO CONTROL		
80G-006	PTO MINIMUM RPM - 825		
80J-001	REGEN INHIBIT SPEED THRESHOLD - 0 MPH		
80S-004	PTO 1, DASH SWITCH, ENGAGE WHILE DRIVING		
80V-002	ENGINE MOUNT PTO, DASH SWITCH ENGAGES PTO MODE, DRIVING OPERATION		
Engine Equipment			
99C-024	EPA 2010/GHG 2024 CONFIGURATION		
13E-001	STANDARD OIL PAN		
105-001	ENGINE MOUNTED OIL CHECK AND FILL		
014-108	SIDE OF HOOD AIR INTAKE WITH FIREWALL MOUNTED DONALDSON AIR CLEANER WITH SAFETY ELEMENT AND INSIDE/OUTSIDE AIR WITH SNOW DOOR	10	
124-1E1	DR 12V 200 AMP 28-SI QUADRAMOUNT PAD ALTERNATOR WITH REMOTE BATTERY VOLT SENSE		
292-235	(2) DTNA GENUINE, FLOODED STARTING, MIN 2000CCA, 370RC, THREADED STUD BATTERIES		
290-017	BATTERY BOX FRAME MOUNTED		
281-001	STANDARD BATTERY JUMPERS		
282-001	SINGLE BATTERY BOX FRAME MOUNTED LH SIDE UNDER CAB		
291-017	WIRE GROUND RETURN FOR BATTERY CABLES WITH ADDITIONAL FRAME GROUND RETURN		



Prepared for:
 RUSS TENEROVE
 WILLOWICK CITY OF
 30435 LAKESHORE BLVD
 WILLOWICK, OH 44095
 Phone: 440-585-0963

Prepared by:
 Greg Simonic
 CLEVELAND FREIGHTLINER, INC.
 10901 Brookpark Rd
 Parma, OH 44130
 Phone: 216-267-4800

Data Code	Description	Weight Front	Weight Rear
289-001	NON-POLISHED BATTERY BOX COVER		
293-058	NON-ESSENTIAL POSITIVE LOAD DISCONNECT, IN CAB CONTROL SWITCH MOUNTED OUTBOARD OF DRIVER SEAT	2	
295-003	POSITIVE AND NEGATIVE POSTS FOR JUMPSTART CHASSIS MOUNTED LH BACK OF CAB	4	
306-015	PROGRESSIVE LOW VOLTAGE DISCONNECT AT 12.3 VOLTS FOR DESIGNATED CIRCUITS	2	
107-032	CUMMINS TURBOCHARGED 18.7 CFM AIR COMPRESSOR WITH INTERNAL SAFETY VALVE		
152-041	ELECTRONIC ENGINE INTEGRAL SHUTDOWN PROTECTION SYSTEM		
128-076	CUMMINS ENGINE INTEGRAL BRAKE WITH VARIABLE GEOMETRY TURBO ON/OFF	20	
016-1C2	RH OUTBOARD UNDER STEP MOUNTED HORIZONTAL AFTERTREATMENT SYSTEM ASSEMBLY WITH RH B-PILLAR MOUNTED VERTICAL TAILPIPE	30	25
28F-014	ENGINE AFTERTREATMENT DEVICE, AUTOMATIC OVER THE ROAD REGENERATION AND VIRTUAL REGENERATION REQUEST SWITCH IN CLUSTER		
239-026	10 FOOT 06 INCH (126 INCH+0/-5.9 INCH) EXHAUST SYSTEM HEIGHT		
233-017	STANDARD CURVE BRIGHT UPPER STACK(S)		
237-1CR	RH CURVED VERTICAL TAILPIPE B-PILLAR MOUNTED ROUTED FROM STEP		
23U-001	6 GALLON DIESEL EXHAUST FLUID TANK	-35	-10
30N-003	100 PERCENT DIESEL EXHAUST FLUID FILL		
23Y-001	STANDARD DIESEL EXHAUST FLUID PUMP MOUNTING		
43X-002	LH MEDIUM DUTY STANDARD DIESEL EXHAUST FLUID TANK LOCATION		
43Y-001	STANDARD DIESEL EXHAUST FLUID TANK CAP		
242-001	STAINLESS STEEL AFTERTREATMENT DEVICE/MUFFLER/TAILPIPE SHIELD		
273-058	AIR POWERED ON/OFF ENGINE FAN CLUTCH		
276-001	AUTOMATIC FAN CONTROL WITHOUT DASH SWITCH, NON ENGINE MOUNTED		
110-003	CUMMINS SPIN ON FUEL FILTER		
118-008	COMBINATION FULL FLOW/BYPASS OIL FILTER		
266-104	1115 SQUARE INCH ALUMINUM RADIATOR		
103-039	ANTIFREEZE TO -34F, OAT (NITRITE AND SILICATE FREE) EXTENDED LIFE COOLANT		
171-007	GATES BLUE STRIPE COOLANT HOSES OR EQUIVALENT		



Prepared for:
 RUSS TENEROVE
 WILLOWICK CITY OF
 30435 LAKESHORE BLVD
 WILLOWICK, OH 44095
 Phone: 440-585-0963

Prepared by:
 Greg Simonic
 CLEVELAND FREIGHTLINER, INC.
 10901 Brookpark Rd
 Parma, OH 44130
 Phone: 216-267-4800

Data Code	Description	Weight Front	Weight Rear
172-001	CONSTANT TENSION HOSE CLAMPS FOR COOLANT HOSES		
270-016	RADIATOR DRAIN VALVE		
360-013	1350 ADAPTER FLANGE FOR FRONT PTO PROVISION	20	
132-004	ELECTRIC GRID AIR INTAKE WARMER		
155-058	DELCO 12V 38MT HD STARTER WITH INTEGRATED MAGNETIC SWITCH		

Transmission

342-582 ALLISON 3000 RDS AUTOMATIC TRANSMISSION WITH PTO PROVISION

Transmission Equipment

343-339 ALLISON VOCATIONAL PACKAGE 223 - AVAILABLE ON 3000/4000 PRODUCT FAMILIES WITH VOCATIONAL MODELS RDS, HS, MH AND TRV

84B-012 ALLISON VOCATIONAL RATING FOR ON/OFF HIGHWAY APPLICATIONS AVAILABLE WITH ALL PRODUCT FAMILIES

84C-023 PRIMARY MODE GEARS, LOWEST GEAR 1, START GEAR 1, HIGHEST GEAR 6, AVAILABLE FOR 3000/4000 PRODUCT FAMILIES ONLY

84D-021 SECONDARY MODE GEARS, LOWEST GEAR 1, START GEAR 1, HIGHEST GEAR 4, AVAILABLE FOR 3000/4000 PRODUCT FAMILIES ONLY

84E-013 S1 PERFORMANCE PRIMARY SHIFT SCHEDULE, AVAILABLE FOR 3000/4000 PRODUCT FAMILIES ONLY

84F-016 S5 PERFORMANCE LIMITING SECONDARY SHIFT SCHEDULE, AVAILABLE FOR 3000/4000 PRODUCT FAMILIES ONLY

84G-014 2200 RPM PRIMARY MODE SHIFT SPEED

84H-014 2200 RPM SECONDARY MODE SHIFT SPEED

84K-002 2ND GEAR ENGINE BRAKE ALTERNATE PRESELECT WITH MODERATE DOWNSHIFT STRATEGY

84N-200 FUEL SENSE 2.0 DISABLED - PERFORMANCE - TABLE BASED

84U-000 DRIVER SWITCH INPUT - DEFAULT - NO SWITCHES

84V-001 DIRECTION CHANGE ENABLED WITH MULTIPLEXED SERVICE BRAKES - ALLISON 5TH GEN TRANSMISSIONS

85E-011 MAXIMUM ENGINE SPEED FOR PTO ENGAGEMENT 1000 RPM

85F-038 MAXIMUM ENGINE SPEED FOR PTO OPERATION 2200 RPM



Prepared for:
 RUSS TENEROVE
 WILLOWICK CITY OF
 30435 LAKESHORE BLVD
 WILLOWICK, OH 44095
 Phone: 440-585-0963

Prepared by:
 Greg Simonic
 CLEVELAND FREIGHTLINER, INC.
 10901 Brookpark Rd
 Parma, OH 44130
 Phone: 216-267-4800

Data Code	Description	Weight Front	Weight Rear
85G-031	MAXIMUM OUTPUT SPEED FOR PTO ENGAGEMENT 800 RPM		
85H-119	MAXIMUM OUTPUT SPEED FOR PTO OPERATION 3000 RPM - ALLISON 5TH GEN TRANSMISSIONS		
353-074	QUICKFIT BODY LIGHTING CONNECTOR UNDER CAB, WITH BLUNTCUTS		
34C-011	ELECTRONIC TRANSMISSION WIRING TO CUSTOMER INTERFACE CONNECTOR		
362-2JT	CUSTOMER INSTALLED CHELSEA 281 SERIES PTO	50	
363-001	PTO MOUNTING, LH SIDE OF MAIN TRANSMISSION ALLISON		
341-018	MAGNETIC PLUGS, ENGINE DRAIN, TRANSMISSION DRAIN, AXLE(S) FILL AND DRAIN		
345-078	HEAVY DUTY ELECTRONIC TRANSMISSION SHIFT CONTROL, COLUMN MOUNTED		
97G-004	TRANSMISSION PROGNOSTICS - ENABLED 2013		
370-015	WATER TO OIL TRANSMISSION COOLER, IN RADIATOR END TANK	15	
346-013	TRANSMISSION OIL CHECK AND FILL WITH CROSSOVER TO CLEAR LH PTO AND DIRECT MOUNT PUMP		
35T-001	ATF-SYNTHETIC AUTOMATIC TRANSMISSION FLUID		

Front Axle and Equipment

400-1BA	DETROIT DA-F-18.0-5 18,000# FL1 71.0 KPI/3.74 DROP SINGLE FRONT AXLE	210	
402-075	BENDIX ADB22X AIR DISC FRONT BRAKES	30	
403-002	NON-ASBESTOS FRONT BRAKE LINING		
419-004	FRONT DISC BRAKE ROTORS		
427-001	FRONT BRAKE DUST SHIELDS	5	
409-006	FRONT OIL SEALS		
408-001	VENTED FRONT HUB CAPS WITH WINDOW, CENTER AND SIDE PLUGS - OIL		
416-022	STANDARD SPINDLE NUTS FOR ALL AXLES		
405-030	FRONT AIR DISC BRAKE INTERNAL ADJUSTERS		
406-001	STANDARD KING PIN BUSHINGS		
536-012	TRW TAS-85 POWER STEERING	40	
539-003	POWER STEERING PUMP		
534-003	4 QUART POWER STEERING RESERVOIR	5	
533-001	OIL/AIR POWER STEERING COOLER	5	
40T-001	MINERAL SAE 80/90 FRONT AXLE LUBE		

Front Suspension



Prepared for:
 RUSS TENEROVE
 WILLOWICK CITY OF
 30435 LAKESHORE BLVD
 WILLOWICK, OH 44095
 Phone: 440-585-0963

Prepared by:
 Greg Simonic
 CLEVELAND FREIGHTLINER, INC.
 10901 Brookpark Rd
 Parma, OH 44130
 Phone: 216-267-4800

Data Code	Description	Weight Front	Weight Rear
620-005	18,000# FLAT LEAF FRONT SUSPENSION	290	
619-004	GRAPHITE BRONZE BUSHINGS WITH SEALS - FRONT SUSPENSION		
410-001	FRONT SHOCK ABSORBERS		

Rear Axle and Equipment

420-051	MERITOR RS-23-160 23,000# R-SERIES SINGLE REAR AXLE		180
421-563	5.63 REAR AXLE RATIO		
424-001	IRON REAR AXLE CARRIER WITH STANDARD AXLE HOUSING		
386-073	MXL 17T MERITOR EXTENDED LUBE MAIN DRIVELINE WITH HALF ROUND YOKES	20	20
452-001	DRIVER CONTROLLED TRACTION DIFFERENTIAL - SINGLE REAR AXLE		20
878-018	(1) DRIVER CONTROLLED DIFFERENTIAL LOCK REAR VALVE FOR SINGLE DRIVE AXLE		
87B-015	INDICATOR LIGHT FOR EACH DIFFERENTIAL LOCKOUT SWITCH, ENGAGE <5 MPH, DISENGAGE >25 MPH		
423-075	BENDIX ADB22X AIR DISC REAR BRAKES		-30
433-002	NON-ASBESTOS REAR BRAKE LINING		
434-012	BRAKE CAMS AND CHAMBERS ON REAR SIDE OF DRIVE AXLE(S)		
451-005	REAR DISC BRAKE ROTORS		
425-002	REAR BRAKE DUST SHIELDS		5
440-006	REAR OIL SEALS		
426-1AH	AIR DISC LONGSTROKE 1-DRIVE AXLE SPRING PARKING CHAMBERS		
428-030	REAR AIR DISC BRAKE INTERNAL ADJUSTERS		
41T-002	CURRENT AVAILABLE SYNTHETIC 75W-90 REAR AXLE LUBE		
42T-001	STANDARD REAR AXLE BREATHER(S)		

Rear Suspension

N	622-1DF	30,000# FLAT LEAF SPRING REAR SUSPENSION WITH HELPER AND RADIUS ROD	160
	621-004	SPRING SUSPENSION - 1.50" AXLE SPACER	10
	431-001	STANDARD AXLE SEATS IN AXLE CLAMP GROUP	
	623-005	FORE/AFT CONTROL RODS	

Pusher / Tag Equipment

429-998	NO PUSHER/TAG BRAKE DUST SHIELDS
---------	----------------------------------

Brake System

490-1AU	WABCO 4S/4M ABS WITH TRACTION CONTROL WITH ATC SHUT OFF SWITCH
---------	----------------------------------------------------------------



Prepared for:
 RUSS TENEROVE
 WILLOWICK CITY OF
 30435 LAKESHORE BLVD
 WILLOWICK, OH 44095
 Phone: 440-585-0963

Prepared by:
 Greg Simonic
 CLEVELAND FREIGHTLINER, INC.
 10901 Brookpark Rd
 Parma, OH 44130
 Phone: 216-267-4800

Data Code	Description	Weight Front	Weight Rear
871-001	REINFORCED NYLON, FABRIC BRAID AND WIRE BRAID CHASSIS AIR LINES		
904-001	FIBER BRAID PARKING BRAKE HOSE		
412-001	STANDARD BRAKE SYSTEM VALVES		
46D-002	STANDARD AIR SYSTEM PRESSURE PROTECTION SYSTEM		
413-002	STD U.S. FRONT BRAKE VALVE		
432-003	RELAY VALVE WITH 5-8 PSI CRACK PRESSURE, NO REAR PROPORTIONING VALVE		
480-088	WABCO SYSTEM SAVER HP WITH INTEGRAL AIR GOVERNOR AND HEATER		
479-015	AIR DRYER FRAME MOUNTED		
460-007	ALUMINUM AIR BRAKE RESERVOIRS	-10	-15
477-008	BW DV-2 AUTO DRAIN VALVE WITH HEATER - WET TANK, PETCOCKS ALL OTHERS		
Trailer Connections			
476-998	NO AIR HOSE HANGER		
296-010	PRIMARY CONNECTOR/RECEPTACLE WIRED FOR SEPARATE STOP/TURN, ABS CENTER PIN POWERED THROUGH IGNITION		
303-026	SAE J560 7-WAY PRIMARY TRAILER CABLE RECEPTACLE TEMPORARY TIED & COILED IN CHASSIS END OF FRAME WITH 2' ADDITIONAL; NO BRACKETS		
Wheelbase & Frame			
545-385	3850MM (152 INCH) WHEELBASE		
546-102	7/16X3-9/16X11-1/8 INCH STEEL FRAME (11.11MMX282.6MM/0.437X11.13 INCH) 120KSI	110	170
548-803	TEM TO EVALUATE AND INSTALL FRAME RAIL REINFORCEMENT AS NEEDED FOR FRONT FRAME MOUNTED EQUIPMENT		
552-037	1775MM (70 INCH) REAR FRAME OVERHANG		
55W-006	FRAME OVERHANG RANGE: 61 INCH TO 70 INCH		
549-002	24 INCH INTEGRAL FRONT FRAME EXTENSION	140	-20
AC8-99D	CALC'D BACK OF CAB TO REAR SUSP C/L (CA) : 86.02 in		
AE8-99D	CALCULATED EFFECTIVE BACK OF CAB TO REAR SUSPENSION C/L (CA) : 83.02 in		
AE4-99D	CALC'D FRAME LENGTH - OVERALL : 286.63 in		
FSS-0LH	CALCULATED FRAME SPACE LH SIDE : 49.27 in		
FSS-0RH	CALCULATED FRAME SPACE RH SIDE : 53.4 in		
AM6-99D	CALC'D SPACE AVAILABLE FOR DECKPLATE : 0.0 in		
553-001	SQUARE END OF FRAME		



Prepared for:
 RUSS TENEROVE
 WILLOWICK CITY OF
 30435 LAKESHORE BLVD
 WILLOWICK, OH 44095
 Phone: 440-585-0963

Prepared by:
 Greg Simonic
 CLEVELAND FREIGHTLINER, INC.
 10901 Brookpark Rd
 Parma, OH 44130
 Phone: 216-267-4800

Data Code	Description	Weight Front	Weight Rear
550-001	FRONT CLOSING CROSSMEMBER		
559-003	LIGHTWEIGHT HEAVY DUTY ALUMINUM ENGINE CROSSMEMBER	-12	
562-001	STANDARD MIDSHIP #1 CROSSMEMBER(S)		
572-001	STANDARD REARMOST CROSSMEMBER		
565-001	STANDARD SUSPENSION CROSSMEMBER		
Chassis Equipment			
556-1CP	14 INCH PAINTED STEEL CUTOFF BUMPER	-35	
574-001	BUMPER MOUNTING FOR SINGLE LICENSE PLATE		
585-043	BETTS B-35 PAINTED MUDFLAP BRACKETS		15
590-001	BLACK MUDFLAPS		15
551-007	GRADE 8 THREADED HEX HEADED FRAME FASTENERS		
44Z-005	EXTERIOR HARNESSSES WRAPPED IN ABRASION TAPE, SECONDARY COVERING, & CONNECTOR PROTECTION		
Fifth Wheel			
578-998	NO FIFTH WHEEL		
Fuel Tanks			
204-151	60 GALLON/227 LITER ALUMINUM FUEL TANK - LH		
218-006	25 INCH DIAMETER FUEL TANK(S)		
215-007	PLAIN ALUMINUM/PAINTED STEEL FUEL/HYDRAULIC TANK(S) WITH POLISHED STAINLESS STEEL BANDS		
212-007	FUEL TANK(S) FORWARD		
664-001	PLAIN STEP FINISH		
205-002	CHROME FUEL TANK CAP(S)		
122-1H4	DETROIT FUEL/WATER SEPARATOR WITH WATER IN FUEL SENSOR AND 12 VOLT PREHEATER	-5	
216-020	EQUIFLO INBOARD FUEL SYSTEM		
202-016	HIGH TEMPERATURE REINFORCED NYLON FUEL LINE		
Tires			
093-994	MICHELIN XZE 12R22.5 16 PLY RADIAL FRONT TIRES	50	
094-1RY	BRIDGESTONE M726ELA 295/75R22.5 14 PLY RADIAL REAR TIRES		48
Hubs			
418-060	CONMET PRESET PLUS PREMIUM IRON FRONT HUBS		



Prepared for:
 RUSS TENEROVE
 WILLOWICK CITY OF
 30435 LAKESHORE BLVD
 WILLOWICK, OH 44095
 Phone: 440-585-0963

Prepared by:
 Greg Simonic
 CLEVELAND FREIGHTLINER, INC.
 10901 Brookpark Rd
 Parma, OH 44130
 Phone: 216-267-4800

Data Code	Description	Weight Front	Weight Rear
450-060	CONMET PRESET PLUS PREMIUM IRON REAR HUBS		
Wheels			
502-1HH	ACCURIDE 50300 22.5X9.00 10-HUB PILOT 6.5 INSET 5-HAND STEEL DISC FRONT WHEELS	68	
505-428	ACCURIDE 28828 22.5X8.25 10-HUB PILOT 2-HAND HD STEEL DISC REAR WHEELS		52
496-011	FRONT WHEEL MOUNTING NUTS		
497-011	REAR WHEEL MOUNTING NUTS		
Cab Exterior			
829-1A5	108 INCH BBC FLAT ROOF ALUMINUM CONVENTIONAL CAB		
650-008	AIR CAB MOUNTING		
705-012	CAB ROOF REINFORCEMENTS FOR ROOF MOUNTED COMPONENTS	2	
648-002	NONREMOVABLE BUGSCREEN MOUNTED BEHIND GRILLE		
667-037	SHORT FENDER WITH MUDFLAP		
754-017	BOLT-ON MOLDED FLEXIBLE FENDER EXTENSIONS	10	
678-067	SAFETY YELLOW LH AND RH INTERIOR GRAB HANDLES AND LH AND RH EXTERIOR GRAB HANDLES WITH SINGLE RUBBER INSERT		
645-002	BRIGHT FINISH RADIATOR SHELL/HOOD BEZEL		
646-042	STATIONARY BLACK GRILLE WITH BRIGHT ACCENTS		
65X-003	CHROME HOOD MOUNTED AIR INTAKE GRILLE		
644-004	FIBERGLASS HOOD		
652-001	FREIGHTLINER NAME PLATES		
690-998	NO NOISE SHIELD-ENG COMPARTMENT		
727-1AF	SINGLE 14 INCH ROUND HADLEY AIR HORN UNDER LH DECK		
726-001	SINGLE ELECTRIC HORN		
575-001	REAR LICENSE PLATE MOUNT END OF FRAME		
312-067	HALOGEN COMPOSITE HEADLAMPS WITH BRIGHT BEZELS		
302-047	LED AERODYNAMIC MARKER LIGHTS		
314-823	WIRING AND SWITCH FOR CUSTOMER FURNISHED SNOW PLOW LAMPS WITH SINGLE CONNECTION AT LH FORWARD		
311-998	NO DAYTIME RUNNING LIGHTS		
294-1AY	INTEGRAL LED STOP/TAIL/BACKUP LIGHTS		
300-015	STANDARD FRONT TURN SIGNAL LAMPS		
744-1BC	DUAL WEST COAST BRIGHT FINISH HEATED MIRRORS WITH LH AND RH REMOTE		



Prepared for:
 RUSS TENEROVE
 WILLOWICK CITY OF
 30435 LAKESHORE BLVD
 WILLOWICK, OH 44095
 Phone: 440-585-0963

Prepared by:
 Greg Simonic
 CLEVELAND FREIGHTLINER, INC.
 10901 Brookpark Rd
 Parma, OH 44130
 Phone: 216-267-4800

Data Code	Description	Weight Front	Weight Rear
797-001	DOOR MOUNTED MIRRORS		
796-001	102 INCH EQUIPMENT WIDTH		
743-204	LH AND RH 8 INCH BRIGHT FINISH CONVEX MIRRORS MOUNTED UNDER PRIMARY MIRRORS		
729-001	STANDARD SIDE/REAR REFLECTORS		
677-055	RH AFTERTREATMENT SYSTEM CAB ACCESS WITH POLISHED DIAMOND PLATE COVER		
768-043	63X14 INCH TINTED REAR WINDOW		
661-004	TINTED DOOR GLASS LH AND RH WITH TINTED OPERATING WING WINDOWS		
654-011	RH AND LH ELECTRIC POWERED WINDOWS		
663-029	1-PIECE BONDED HEATED WIPER PARK SOLAR GREEN GLASS WINDSHIELD		
659-007	8 LITER (2 GAL) WINDSHIELD WASHER RESERVOIR, CAB MOUNTED, WITHOUT FLUID LEVEL INDICATOR		

Cab Interior

055-019	RUGGED TRIM PACKAGE		
707-107	GRAY & CARBON VINYL INTERIOR "RUGGED"		
70K-020	CARBON WITH PREMIUM GUNMETAL ACCENT (RUGGED)		
706-013	MOLDED DOOR PANEL		
708-013	MOLDED PLASTIC DOOR PANEL		
772-006	BLACK MATS WITH SINGLE INSULATION		
785-035	ASH CUP AND (1)LIGHTER,(1)DASH MOUNTED DUAL USB-C OUTLET		
691-001	FORWARD ROOF MOUNTED CONSOLE		
696-012	CENTER STORAGE CONSOLE MOUNTED ON BACKWALL	20	
693-019	LH AND RH DOOR STORAGE POCKETS INTEGRATED INTO MOLDED DOOR PANELS		
738-021	DIGITAL ALARM CLOCK IN DRIVER DISPLAY		
742-007	(2) CUP HOLDERS LH AND RH DASH		
680-029	M2/SD DASH		
700-002	HEATER, DEFROSTER AND AIR CONDITIONER		
701-008	STANDARD HVAC DUCTING WITH SNOW SHIELD FOR FRESH AIR INTAKE		
703-005	MAIN HVAC CONTROLS WITH RECIRCULATION SWITCH		
170-015	STANDARD HEATER PLUMBING		
130-041	VALEO HEAVY DUTY A/C REFRIGERANT COMPRESSOR		
702-002	BINARY CONTROL, R-134A		
739-034	PREMIUM INSULATION		



Prepared for:
 RUSS TENEROVE
 WILLOWICK CITY OF
 30435 LAKESHORE BLVD
 WILLOWICK, OH 44095
 Phone: 440-585-0963

Prepared by:
 Greg Simonjic
 CLEVELAND FREIGHTLINER, INC.
 10901 Brookpark Rd
 Parma, OH 44130
 Phone: 216-267-4800

Data Code	Description	Weight Front	Weight Rear
285-013	SOLID-STATE CIRCUIT PROTECTION AND FUSES		
280-007	12V NEGATIVE GROUND ELECTRICAL SYSTEM		
324-1B2	PREMIUM LED CAB LIGHTING		
787-998	NO SECURITY DEVICE		
657-001	DOOR LOCKS AND IGNITION SWITCH KEYED THE SAME		
78G-004	KEY QUANTITY OF 4		
655-028	LH AND RH ELECTRIC DOOR LOCKS WITH AUTO UNLOCK FEATURE WHEN DOOR IS SET FROM OPEN TO CLOSED POSITION		
740-998	NO MATTRESS	-20	-15
756-339	PREMIUM ISRINGHAUSEN HIGH BACK AIR SUSPENSION DRIVERS SEAT WITH 2 AIR LUMBAR, INTEGRATED CUSHION EXTENSION, TILT AND ADJUSTABLE SHOCK	70	
760-335	BASIC ISRI HIGH BACK NON SUSPENSION PASSENGER SEAT		
759-005	DUAL DRIVER AND PASSENGER SEAT ARMRESTS	8	
711-004	LH AND RH INTEGRAL DOOR PANEL ARMRESTS		
758-014	BLACK CORDURA PLUS CLOTH DRIVER SEAT COVER		
761-014	BLACK CORDURA PLUS CLOTH PASSENGER SEAT COVER		
763-101	BLACK SEAT BELTS		
532-002	ADJUSTABLE TILT AND TELESCOPING STEERING COLUMN		
540-070	4-SPOKE 18 INCH (450MM) LEATHER WRAPPED STEERING WHEEL WITH CHROME SWITCH BEZELS		
765-002	DRIVER AND PASSENGER INTERIOR SUN VISORS		

Instruments & Controls

106-002	ELECTRONIC ACCELERATOR CONTROL
732-998	NO INSTRUMENT PANEL-DRIVER
734-022	FULLY CONFIGURABLE CENTER INSTRUMENT PANELS
87L-001	ENGINE REMOTE INTERFACE WITH PARK BRAKE INTERLOCK
870-002	BRIGHT ARGENT FINISH GAUGE BEZELS
486-001	LOW AIR PRESSURE INDICATOR LIGHT AND AUDIBLE ALARM
840-001	DUAL NEEDLE PRIMARY AND SECONDARY AIR PRESSURE GAUGE
198-025	INTAKE MOUNTED AIR RESTRICTION INDICATOR WITHOUT GRADUATIONS



Prepared for:
 RUSS TENEROVE
 WILLOWICK CITY OF
 30435 LAKESHORE BLVD
 WILLOWICK, OH 44095
 Phone: 440-585-0963

Prepared by:
 Greg Simonic
 CLEVELAND FREIGHTLINER, INC.
 10901 Brookpark Rd
 Parma, OH 44130
 Phone: 216-267-4800

Data Code	Description	Weight Front	Weight Rear
149-015	ELECTRONIC CRUISE CONTROL WITH CONTROLS ON STEERING WHEEL SPOKES		
156-007	KEY OPERATED IGNITION SWITCH AND INTEGRAL START POSITION; 4 POSITION OFF/RUN/START/ACCESSORY		
811-044	PREMIUM INSTRUMENT CLUSTER WITH 5.0 INCH TFT COLOR DISPLAY		
81B-003	DIGITAL PANEL LAMP DIMMER SWITCH IN DRIVER DISPLAY		
160-038	HEAVY DUTY ONBOARD DIAGNOSTICS INTERFACE CONNECTOR LOCATED BELOW LH DASH		
844-001	2 INCH ELECTRIC FUEL GAUGE		
148-072	ENGINE REMOTE INTERFACE WITH ONE OR MORE SET SPEEDS		
48H-002	QUICKFIT POWERTRAIN INTERFACE CONNECTOR LOCATED BETWEEN SEATS WITH BLUNTCUTS		
* 4CG-006	6 EXTRA PROGRAMMABLE SWITCHES/INDICATORS \$C1B0191ZZ,C1C0071ZZ,C1D0127ZZ,C1E0082ZZ,C1F0083ZZ,C2A0228ZZ		
48C-002	QUICKFIT PROGRAMMABLE INTERFACE CONNECTOR(S) BETWEEN SEATS WITH BLUNTCUTS		
163-014	ENGINE REMOTE INTERFACE CONNECTOR AT POWERTRAIN INTERFACE CONNECTOR		
856-001	ELECTRICAL ENGINE COOLANT TEMPERATURE GAUGE		
852-002	ELECTRIC ENGINE OIL PRESSURE GAUGE		
864-001	2 INCH TRANSMISSION OIL TEMPERATURE GAUGE		
867-004	ELECTRONIC OUTSIDE TEMPERATURE SENSOR DISPLAY IN DRIVER MESSAGE CENTER		
830-017	ENGINE AND TRIP HOUR METERS INTEGRAL WITHIN DRIVER DISPLAY		
372-123	PTO CONTROLS FOR ENHANCED VEHICLE ELECTRIC/ELECTRONIC ARCHITECTURE		
736-998	NO OBSTACLE DETECTION SYSTEM		
72J-998	NO DR ASSIST SYSTEM		
49B-998	NO VEHICLE STABILITY ADVISOR OR CONTROL		
73B-998	NO LANE DEPARTURE WARNING SYSTEM		
679-998	NO OVERHEAD INSTRUMENT PANEL		
35M-010	1 QUICKFIT PROGRAMABLE MODULE (QPM/XMC)	10	



Prepared for:
 RUSS TENEROVE
 WILLOWICK CITY OF
 30435 LAKESHORE BLVD
 WILLOWICK, OH 44095
 Phone: 440-585-0963

Prepared by:
 Greg Simonic
 CLEVELAND FREIGHTLINER, INC.
 10901 Brookpark Rd
 Parma, OH 44130
 Phone: 216-267-4800

Data Code	Description	Weight Front	Weight Rear
746-143	7" B-PANEL INTERACTIVE TOUCHSCREEN DISPLAY RADIO W/ USB-C, APPLE CARPLAY, ANDROID AUTO, BLUETOOTH/AM/FM/SXM/WB, WITH MICROPHONE		
747-001	DASH MOUNTED RADIO		
750-002	(2) RADIO SPEAKERS IN CAB		
753-998	NO AM/FM RADIO ANTENNA		
748-006	POWER AND GROUND WIRING PROVISION OVERHEAD		
749-001	ROOF/OVERHEAD CONSOLE CB RADIO PROVISION		
75W-002	SHARKFIN MULTI-BAND ANTENNA, RIGHT HAND BIAS ROOF MOUNTING LOCATION: AM/FM/WEATHERBAND, WIFI/BLUETOOTH, SDAR/SIRIUSXM, GNSS/GPS		
78C-003	INTEROPERABLE SDAR ANTENNA		
810-027	ELECTRONIC MPH SPEEDOMETER WITH SECONDARY KPH SCALE, WITHOUT ODOMETER		
817-001	STANDARD VEHICLE SPEED SENSOR		
812-001	ELECTRONIC 3000 RPM TACHOMETER		
813-1C8	DETROIT CONNECT PLATFORM HARDWARE		
8D1-313	3 YEARS DAIMLER CONNECTIVITY BASE PACKAGE ON (FEATURES VARY BY MODEL) POWERED BY DETROIT CONNECT ON CUMMINS ENGINES		
6TS-005	TMC RP1226 ACCESSORY CONNECTOR LOCATED BEHIND PASSENGER SIDE REMOVEABLE DASH PANEL		
162-002	IGNITION SWITCH CONTROLLED ENGINE STOP		
4E1-004	8 SWITCH SLOTS, DRIVER OVERHEAD CONSOLE		
81Y-005	PRE-TRIP INSPECTION FEATURE FOR EXTERIOR LAMPS ONLY		
264-030	(1) OVERHEAD MOUNTED LANYARD CONTROL FOR DRIVER AIR HORN		
883-998	NO TRAILER HAND CONTROL BRAKE VALVE		
842-006	DIGITAL TURBO AIR PRESSURE IN DRIVER DISPLAY		
836-015	DIGITAL VOLTAGE DISPLAY INTEGRAL WITH DRIVER DISPLAY		
660-025	SINGLE ELECTRIC WINDSHIELD WIPER MOTOR WITH DELAY WHEN PARK BRAKE SET, TRANSITION TO SLOWEST SPEED		
304-030	ROTARY HEADLAMP SWITCH, MARKER LIGHTS/HEADLIGHTS SWITCH WITH PULL OUT FOR OPTIONAL FOG/ROAD LAMPS		
882-009	ONE VALVE PARKING BRAKE SYSTEM WITH WARNING INDICATOR		



Prepared for:
 RUSS TENEROVE
 WILLOWICK CITY OF
 30435 LAKESHORE BLVD
 WILLOWICK, OH 44095
 Phone: 440-585-0963

Prepared by:
 Greg Simonc
 CLEVELAND FREIGHTLINER, INC.
 10901 Brookpark Rd
 Parma, OH 44130
 Phone: 216-267-4800

Data Code	Description	Weight Front	Weight Rear
299-020	SELF CANCELING TURN SIGNAL SWITCH WITH DIMMER, HEADLAMP FLASH, WASH/WIPE/INTERMITTENT		
298-046	INTEGRAL ELECTRONIC TURN SIGNAL FLASHER WITH 40 AMP (20 AMP PER SIDE) TRAILER LAMP CAPACITY		
87T-998	NO WRG/SW-OPTL #2, CHAS, AIR		

Design

065-000 PAINT: ONE SOLID COLOR

Color

980-2PW CAB COLOR A: L0662EY SCHOOL BUS YELLOW ELITE EY
 986-020 BLACK, HIGH SOLIDS POLYURETHANE CHASSIS PAINT
 962-972 POWDER WHITE (N0006EA) FRONT WHEELS/RIMS (PKWHT21, TKWHT21, W, TW)
 966-972 POWDER WHITE (N0006EA) REAR WHEELS/RIMS (PKWHT21, TKWHT21, W, TW)
 964-020 STANDARD BLACK BUMPER PAINT
 963-003 STANDARD E COAT/UNDERCOATING

Extended Front Axle Coverage

WA4-035 AXLE: DETROIT FRONT ONLY: HD MODERATE 5 YEARS/100,000 MILES/161,000 KM EXTENDED AXLE COVERAGE

Certification / Compliance

996-001 U.S. FMVSS CERTIFICATION, EXCEPT SALES CABS AND GLIDER KITS

TOTAL VEHICLE SUMMARY

Weight Summary

	Weight Front	Weight Rear	Total Weight
Factory Weight ⁺	7973 lbs	4393 lbs	12366 lbs
Total Weight ⁺	7973 lbs	4393 lbs	12366 lbs

Extended Warranty

WAI-47H CUM 2017 L9: HD1 MD DTY 5 YEARS / 100,000 MILES / 161,000 KM EXTENDED WARRANTY. FEX APPLIES



Prepared for:
RUSS TENEROVE
WILLOWICK CITY OF
30435 LAKESHORE BLVD
WILLOWICK, OH 44095
Phone: 440-585-0963

Prepared by:
Greg Simonc
CLEVELAND FREIGHTLINER, INC.
10901 Brookpark Rd
Parma, OH 44130
Phone: 216-267-4800

WBB-2VP EXT ULTIMATE TRUCK CHASSIS: US MD STANDARD-MODERATE 5
YEARS/100,000 MILES/161,000 KM
WAL-231 AXLE: NON-DETROIT SINGLE REAR ONLY: MD MODERATE 5
YEARS/100,000 MILES/161,000 KM EXTENDED COVERAGE

(+) Weights shown are estimates only.
If weight is critical, contact Customer Application Engineering.

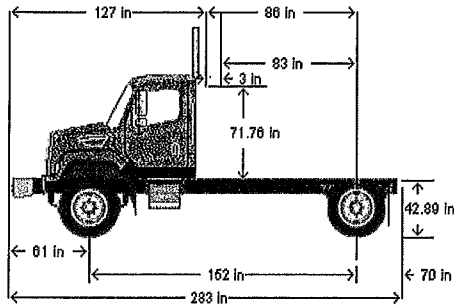
(***) All cost increases for major components (Engines, Transmissions, Axles, Front and Rear Tires) and government mandated requirements, tariffs, and raw material surcharges will be passed through and added to factory invoices.



Prepared for:
 RUSS TENEROVE
 WILLOWICK CITY OF
 30435 LAKESHORE BLVD
 WILLOWICK, OH 44095
 Phone: 440-585-0963

Prepared by:
 Greg Simonic
 CLEVELAND FREIGHTLINER, INC.
 10901 Brookpark Rd
 Parma, OH 44130
 Phone: 216-267-4800

D I M E N S I O N S



VEHICLE SPECIFICATIONS SUMMARY - DIMENSIONS

Wheelbase (545)	3850MM (152 INCH) WHEELBASE
Rear Frame Overhang (552).....	1775MM (70 INCH) REAR FRAME OVERHANG
Fifth Wheel (578).....	NO FIFTH WHEEL
Mounting Location (577)	NO FIFTH WHEEL LOCATION
Maximum Forward Position (in).....	0
Maximum Rearward Position (in)	0
Amount of Slide Travel (in).....	0
Slide Increment (in).....	0
Desired Slide Position (in).....	0.0
Cab Size (829).....	108 INCH BBC FLAT ROOF ALUMINUM CONVENTIONAL CAB
Sleeper (682).....	NO SLEEPER BOX/SLEEPER/CAB
Exhaust System (016)	RH OUTBOARD UNDER STEP MOUNTED HORIZONTAL AFTERTREATMENT SYSTEM ASSEMBLY WITH RH B-PILLAR MOUNTED VERTICAL TAILPIPE
Cab to Body Clearance (in).....	3.0

TABLE SUMMARY - DIMENSIONS



Prepared for:
 RUSS TENEROVE
 WILLOWICK CITY OF
 30435 LAKESHORE BLVD
 WILLOWICK, OH 44095
 Phone: 440-585-0963

Prepared by:
 Greg Simonic
 CLEVELAND FREIGHTLINER, INC.
 10901 Brookpark Rd
 Parma, OH 44130
 Phone: 216-267-4800

Dimensions	Inches
Bumper to Back of Cab (BBC)	127.0
Bumper to Centerline of Front Axle (BA)	61.4
Front Axle to Back of Cab (AC)	65.6
Min. Cab to Body Clearance (CB)	3.0
Back of Cab to Centerline of Rear Axle(s) (CA)	86.0
Effective Back of Cab to Centerline of Rear Axle(s) (Effective CA)	83.0
Back of Cab Protrusions (Exhaust/Intake) (CP)	2.0
Back of Cab Protrusions (Side Extenders/Trim Tab) (CP)	0.0
Back of Cab Protrusions (CNG Tank)	0.0
Back of Cab Clearance (CL)	3.0
Back of Cab to End of Frame	155.9
Cab Height (CH)	71.8
Wheelbase (WB)	151.8
Frame Overhang (OH)	69.9
Overall Frame Length	286.6
Overall Length (OAL)	282.9
Rear Axle Spacing	0.0
Unladen Frame Height at Centerline of Rear Axle	42.9

Performance calculations are estimates only. If performance calculations are critical, please contact Customer Application Engineering.



Prepared for:
 RUSS TENEROVE
 WILLOWICK CITY OF
 30435 LAKESHORE BLVD
 WILLOWICK, OH 44095
 Phone: 440-585-0963

Prepared by:
 Greg Simonic
 CLEVELAND FREIGHTLINER, INC.
 10901 Brookpark Rd
 Parma, OH 44130
 Phone: 216-267-4800

Q U O T A T I O N

108SD PLUS CONVENTIONAL CHASSIS

SET BACK AXLE - TRUCK CUM L9 330 HP @ 2200 RPM; 2200 GOV RPM, 1000 LB-FT @ 1200 RPM ALLISON 3000 RDS AUTOMATIC TRANSMISSION WITH PTO PROVISION MERITOR RS-23-160 23,000# R-SERIES SINGLE REAR AXLE 30,000# FLAT LEAF SPRING REAR SUSPENSION WITH HELPER AND RADIUS ROD DETROIT DA-F-18.0-5 18,000# FL1 71.0 KPI/3.74 DROP SINGLE FRONT AXLE 18,000# FLAT LEAF FRONT SUSPENSION	108 INCH BBC FLAT ROOF ALUMINUM CONVENTIONAL CAB 3850MM (152 INCH) WHEELBASE NO FIFTH WHEEL 7/16X3-9/16X11-1/8 INCH STEEL FRAME (11.1MMX282.6MM/0.437X11.13 INCH) 120KSI 1775MM (70 INCH) REAR FRAME OVERHANG TEM TO EVALUATE AND INSTALL FRAME RAIL REINFORCEMENT AS NEEDED FOR FRONT FRAME MOUNTED EQUIPMENT
--------------------------------------------------------------------------------------------------------------------------------------------------------------------------------------------------------------------------------------------------------------------------------------------------------------------------------------------------------------------------------------------------	-------------------------------------------------------------------------------------------------------------------------------------------------------------------------------------------------------------------------------------------------------------------------------------------------------------------------------

		PER UNIT		TOTAL
VEHICLE PRICE	TOTAL # OF UNITS (1)	\$	110,717	\$ 110,717
EXTENDED WARRANTY		\$	3,700	\$ 3,700
DEALER INSTALLED OPTIONS		\$	0	\$ 0
CUSTOMER PRICE BEFORE TAX		\$	114,417	\$ 114,417

TAXES AND FEES

TAXES AND FEES	\$	0	\$	0
OTHER CHARGES	\$	0	\$	0

TRADE-IN

TRADE-IN ALLOWANCE	\$	(0)	\$	(0)
---------------------------	-----------	------------	-----------	------------

BALANCE DUE		(LOCAL CURRENCY) \$	114,417	\$	114,417
--------------------	--	----------------------------	----------------	-----------	----------------

The proposed vehicle/vehicles may be available with safety and collision mitigation options outlined in the specifications if included. If this is a chassis order, please consult with your bodybuilder to ensure the specification includes all dimensions, ratings, and necessary components for body installation. All specifications and pricing are subject to final production, engineering review, availability, Mfg. surcharges and tariffs. The purchasing entity is responsible for determining eligibility and requesting permission for cooperative purchase programs. Invoicing will occur upon delivery to the customer or dropship point and will be payable upon receipt. Payment is due on receipt of the invoice. Titles will be transferred and delivered promptly upon receipt of payment. Reconfirm pricing after 30 days. A purchase order or signed proposal agrees to the pricing, specifications, and terms, and the cooperative contract rules if applicable unless other arrangements are agreed upon but does not guarantee production. Vehicle/Chassis is proposed under Ohio Department of Transportation State contract number DOT023A26-9 cooperative pricing. Pricing is valid for Ohio municipal purchases and eligibility coincides with contract terms and dates. Contracts information can be found at the link below.

https://ohiobuys.ohio.gov/page.aspx/en/ctr/contract_manage_public/32231

\$115,905



TARIFF & PRICE INCREASE

APPROVAL:

Please indicate your acceptance of this quotation by signing below:

Customer: X _____ Date: ___ / ___ / ___.

