

Evidence Mezzanine 201

Elevation		
Color	Tag	Description
	WS1	24" D x 72" W x 72" H - Wire Decking



Project name:  
**Whitewater Police Department**

Salesperson:  
**MAWHINNEY, RYAN**

Rev. level:  
**1A**

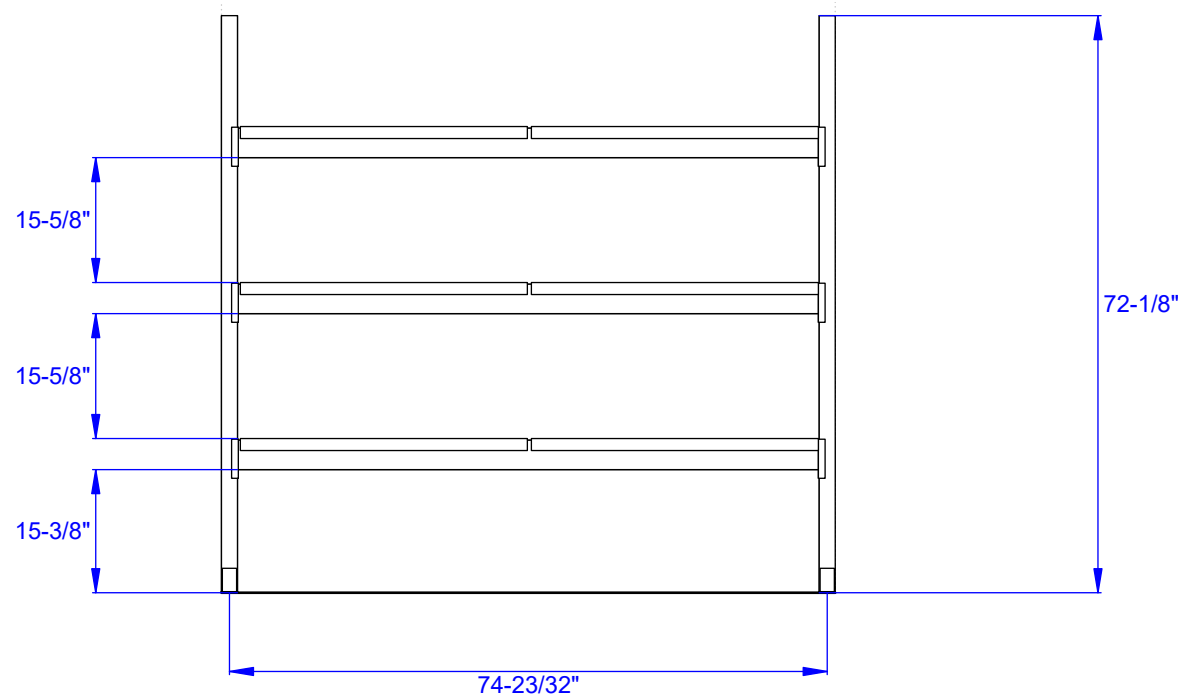
Project #:  
**47552**

Drawn by:  
**SR**

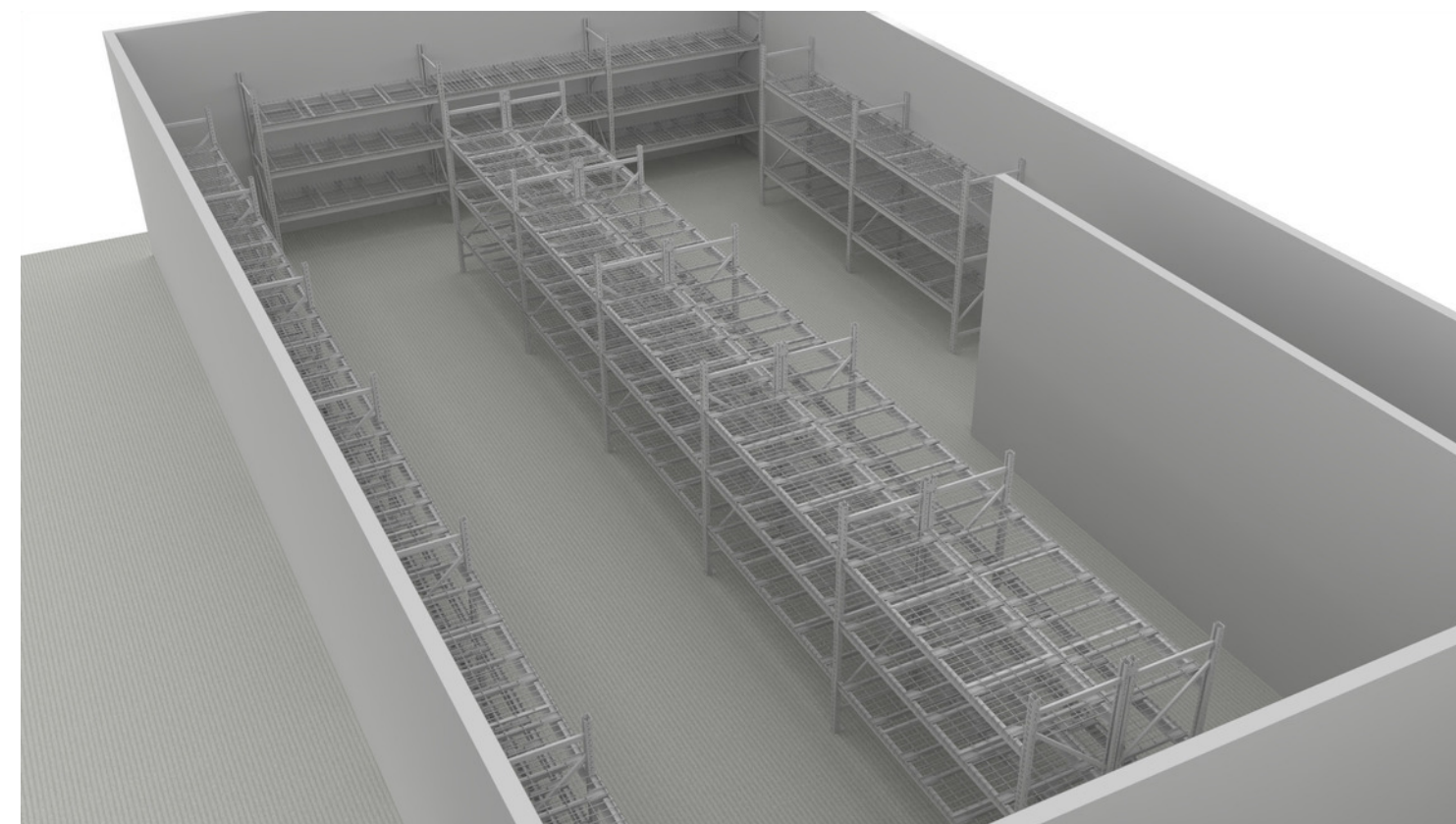
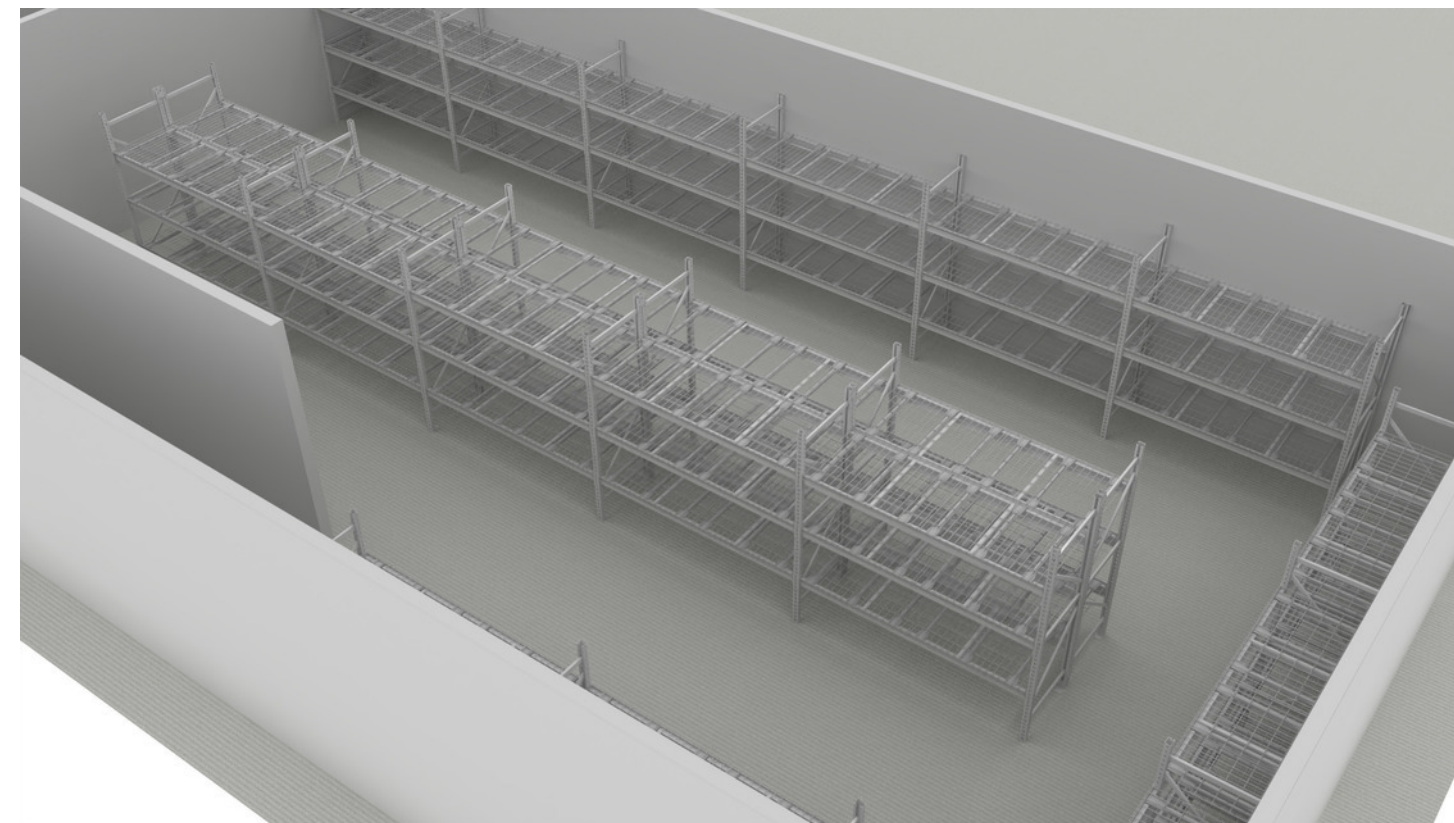
Date printed:  
**3/18/2026**

**APPROVAL**  
This drawing is approved by:

DATE: \_\_\_\_\_



Color	Tag	Description
	WS1	24" D x 72" W x 72" H - Wire Decking



Project name:  
**Whitewater Police Department**

Salesperson:  
**MAWHINNEY, RYAN**

Project #:  
**47552**

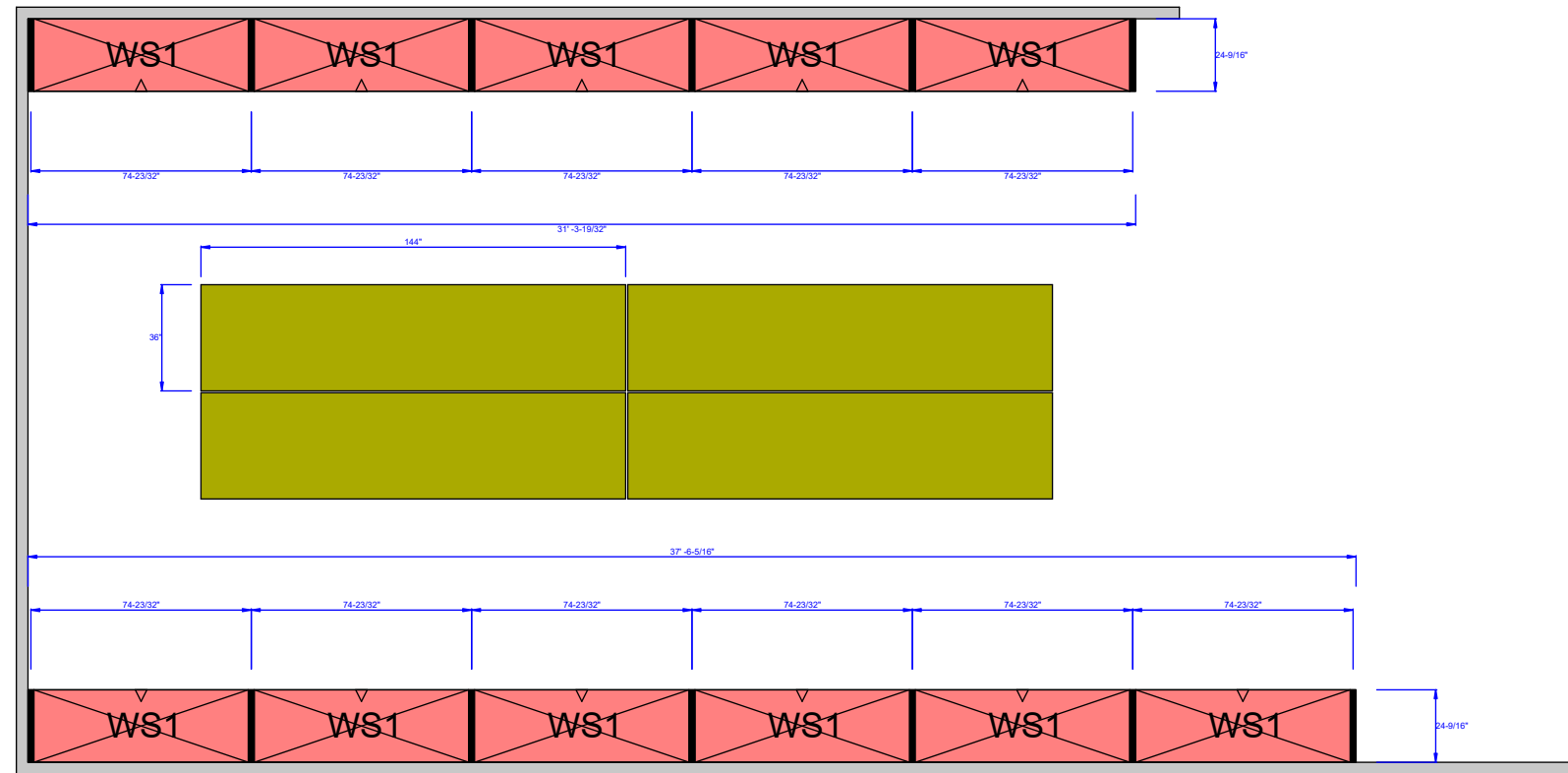
Drawn by:  
**SR**

Date printed:  
**3/18/2026**

Rev. level:  
**1A**

**APPROVAL**  
This drawing is approved by:

DATE: \_\_\_\_\_



Evidence 101

Elevation

Color	Tag	Description
	WS1	24" D x 72" W x 72" H - Wire Decking
	Tables	(4) 36" D x 144" L - Back to Back Stainless Steel



Project name:  
**Whitewater Police Department**

Salesperson:  
**MAWHINNEY,RYAN**

Rev. level:  
**1A**

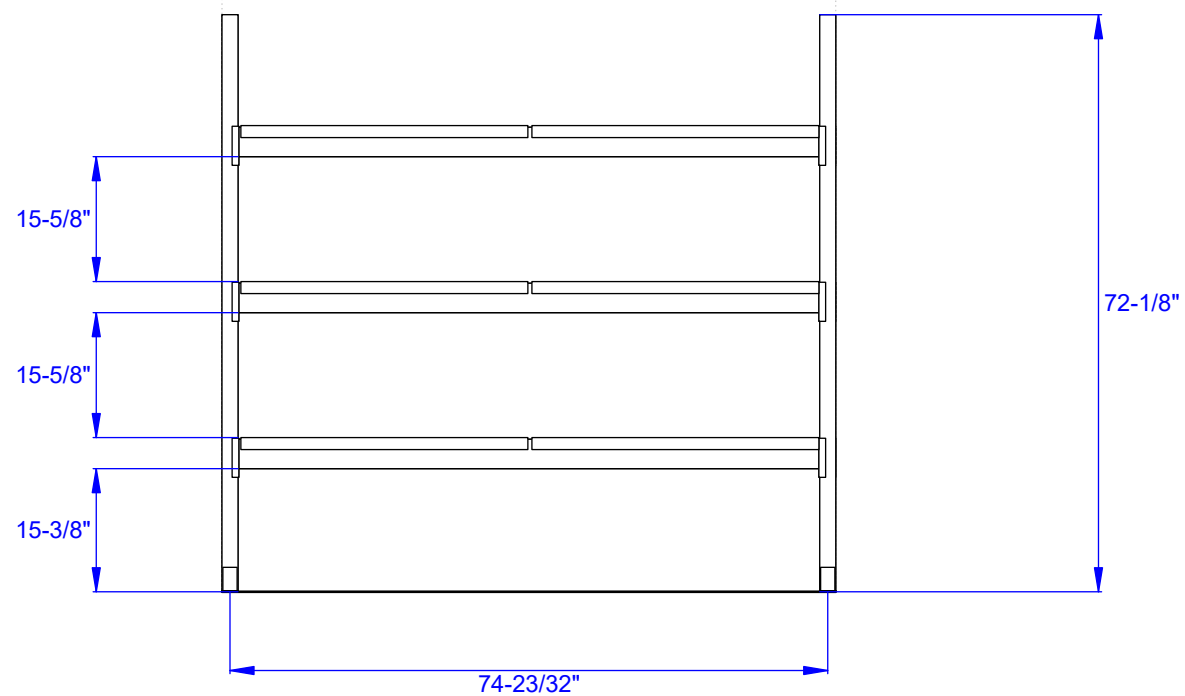
Project #:  
**47552**

Drawn by:  
**SR**

Date printed:  
**3/18/2026**

APPROVAL  
This drawing is approved by:

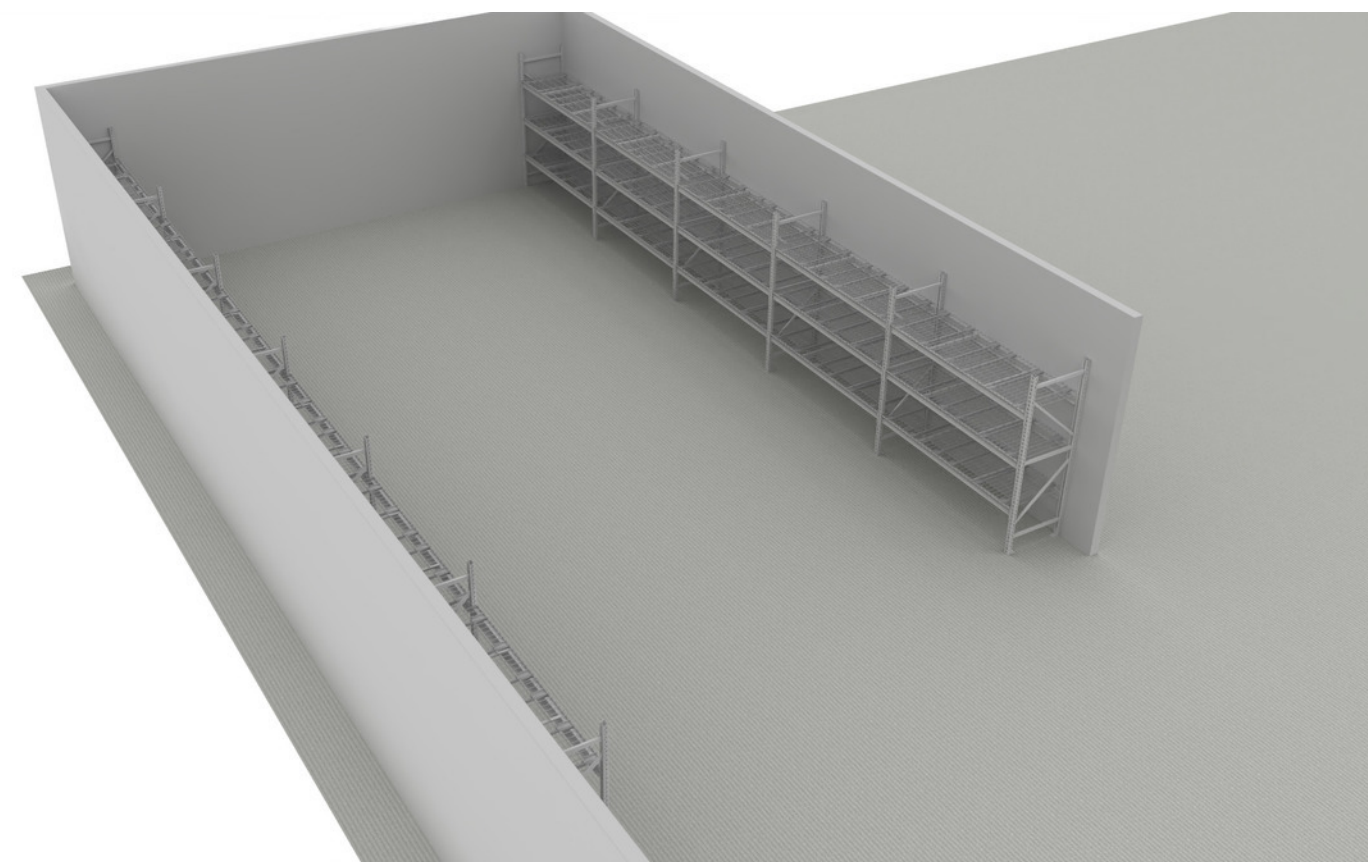
DATE: \_\_\_\_\_



Color	Tag	Description
	WS1	24" D x 72" W x 72" H - Wire Decking



Color	Tag	Description
	Tables	(4) 36" D x 144" L - Back to Back Stainless Steel



Project name:  
**Whitewater Police Department**

Salesperson:  
**MAWHINNEY, RYAN**

Rev. level:  
**1A**

Project #:  
**47552**

Drawn by:  
**SR**

Date printed:  
**3/18/2026**

**APPROVAL**  
This drawing is approved by:

DATE: \_\_\_\_\_