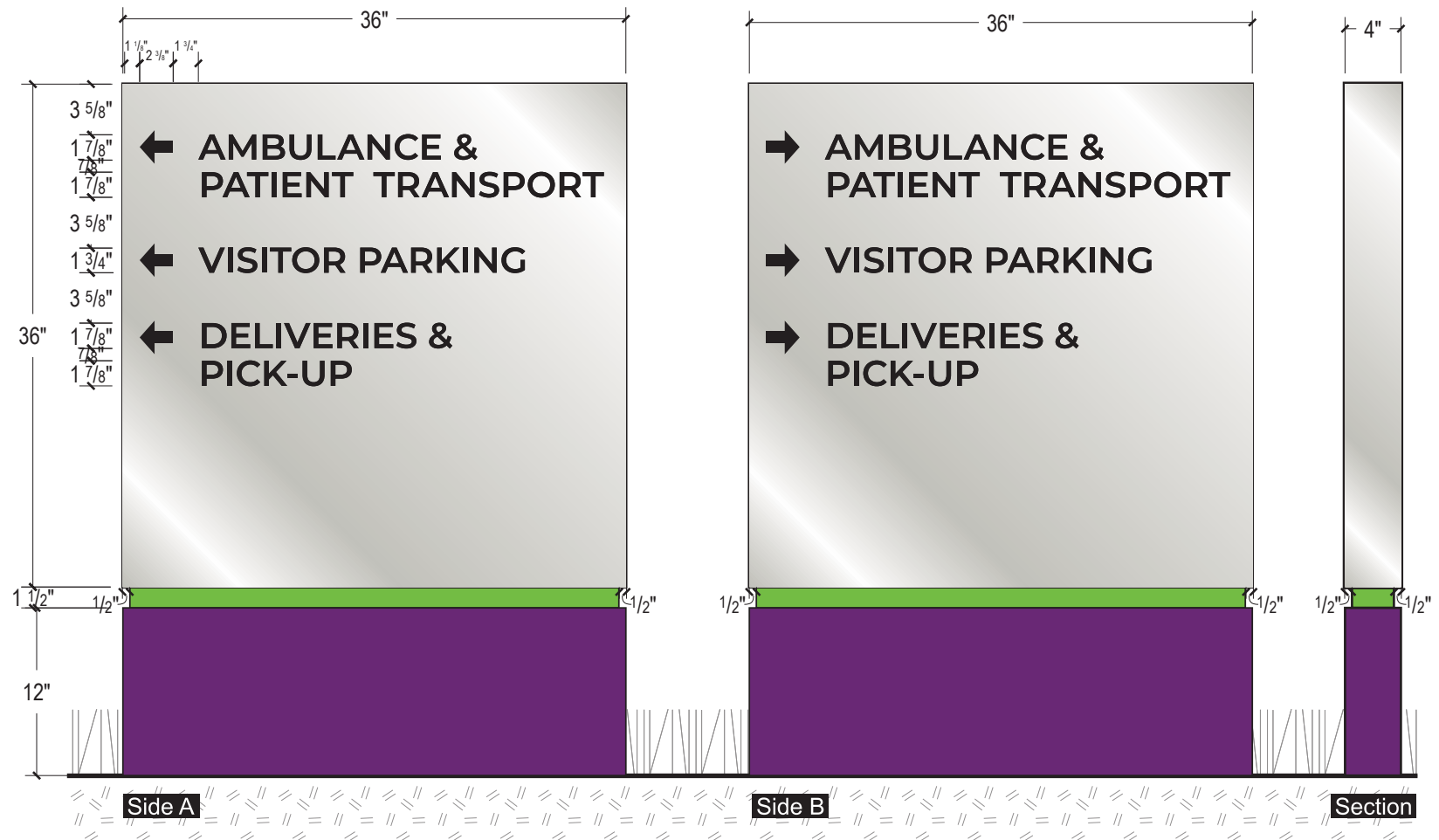
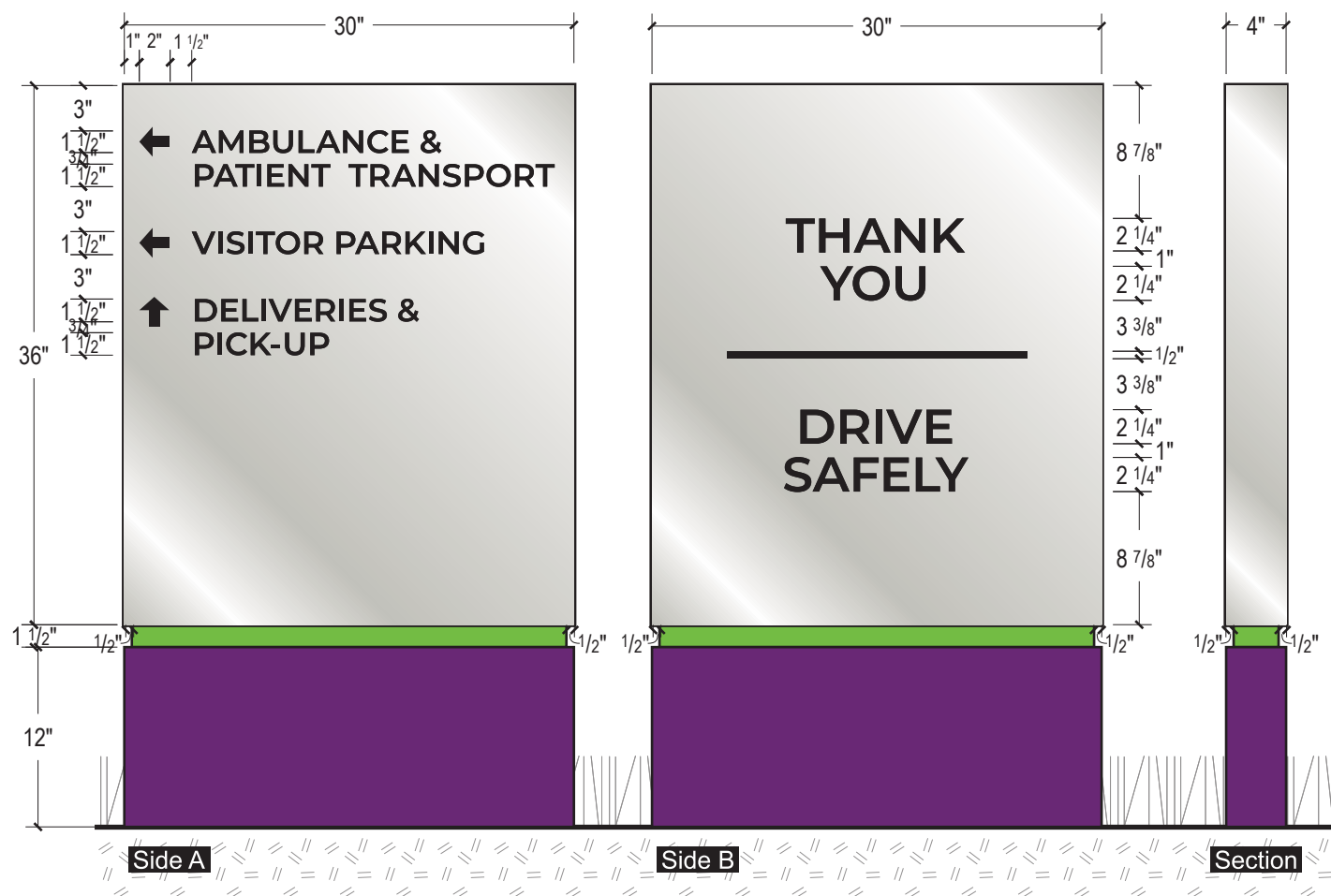
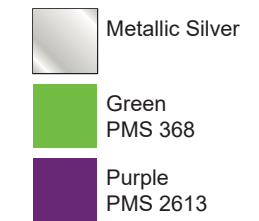


Notes

- ① Aluminum cabinet, painted in approved colors, with vinyl copy. Construction details and mount type TBD.

Font: Montserrat Semibold



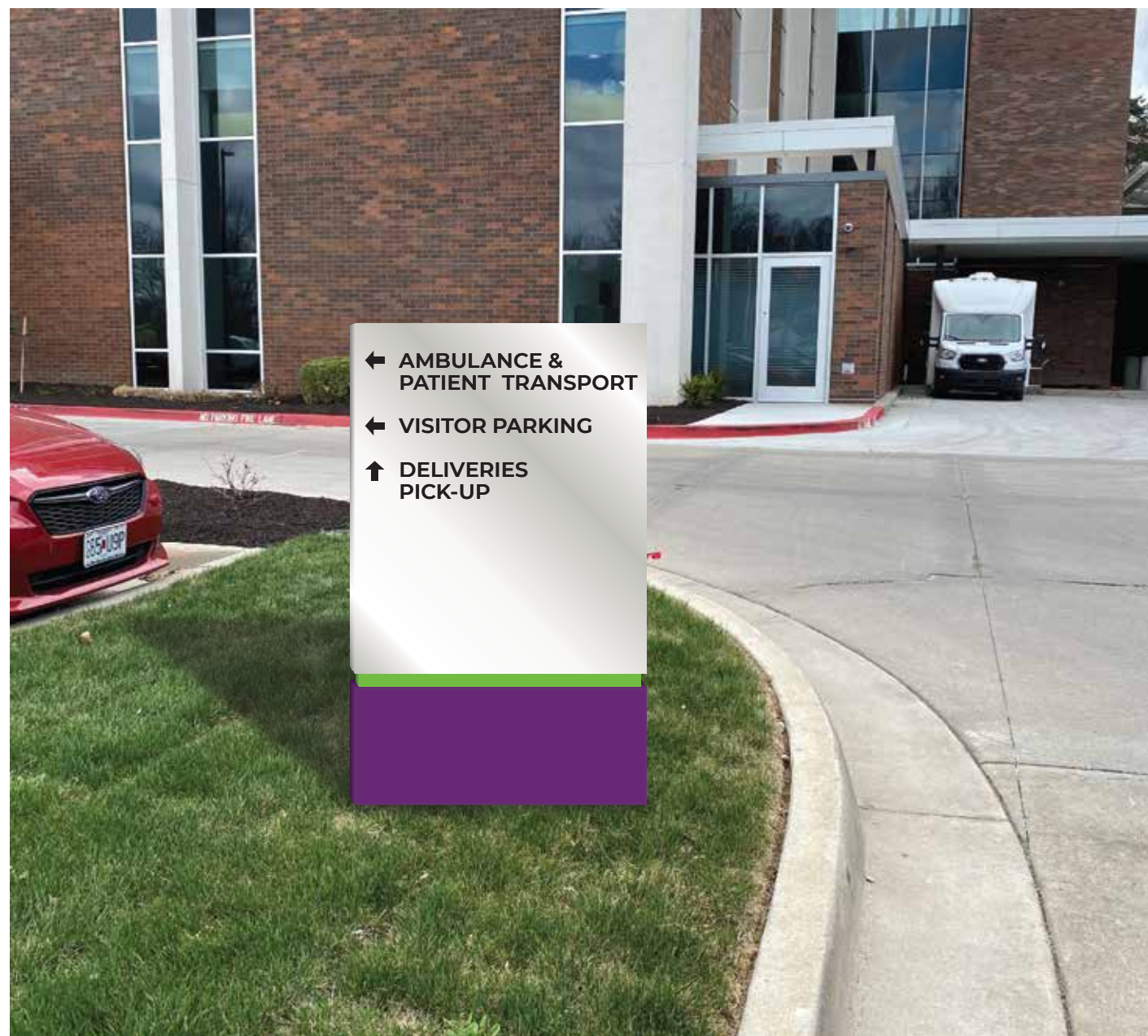
A Type A.1 - Details scale: 1" = 1'-0"

B Type A.2 - Details scale: 1" = 1'-0"

REVISIONS:

APPROVED
 APPROVED AS NOTED
 REVISE AND RESUBMIT

DATE _____ SIGNATURE _____



A Photo Mock-up

scale: NTS



STAR SIGNS, LLC
 801 EAST NINTH STREET
 LAWRENCE, KANSAS 66044
 P 785.842.4892 F 785.842.2947
 WWW.STARSIGNSLLC.COM

Midwest Transplant Network

Type A.1 - Qty (1)
 Type A.2 - Qty (1)

REVISIONS:

THIS DRAWING IS THE SOLE PROPERTY OF STAR SIGNS, L.L.C., AND IS INTENDED FOR CUSTOMER APPROVAL ONLY.

APPROVED

APPROVED AS NOTED

REVISE AND RESUBMIT

DATE

SIGNATURE

SP: SR PM: SR Dwg: CS

10789
 Art #

7001
 SO #

PRINTED: 04 / 21 / 2023

FIRST PRINT: 04/20/2023

2
 SHEET

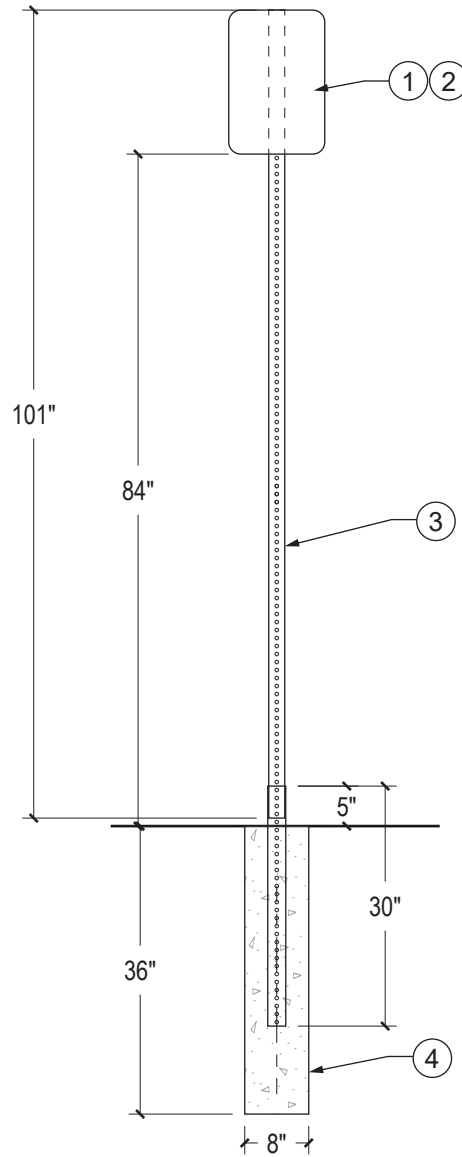
Notes

- ① 0.080" aluminum sheet, mill finish. Two 3/8" holes. SafetySign, EGP White reflective. X2492
- ② Reflective white vinyl with digitally printed red graphics as shown.
- ③ 2" sq x 12 ga. galv. steel post, with 2 1/4" sq. anchor sleeve. Both have 7/16" holes on 1" centers, four sides. Post overlaps anchor by 4 holes, above footing. Secure with (2) 5/16" pltd. stl. corner bolts.
- ④ Concrete footing, 12" OD x 36" deep, 4000 PSI, Sakrete or sim. 80# bag, two per hole.



A Type F - Exit Sign

scale: 1/2" = 1'-0"



A Post detail

scale: 1/2" = 1'-0"



STAR SIGNS, LLC
801 EAST NINTH STREET
LAWRENCE, KANSAS 66044
P 785.842.4892 F 785.842.2947
WWW.STARSIGNSLLC.COM

Midwest Transplant Network

Type F - Exit - Qty (2)

REVISIONS:

NO.	DATE	DESCRIPTION

THIS DRAWING IS THE SOLE PROPERTY OF STAR SIGNS, L.L.C., AND IS INTENDED FOR CUSTOMER APPROVAL ONLY.

APPROVED

APPROVED AS NOTED

REVISE AND RESUBMIT

DATE

SIGNATURE

SP: SR PM: SR Dwg: CS

10789 7001

Art # SO #

PRINTED: 04 / 21 / 2023

FIRST PRINT: 04/20/2023

7

SHEET