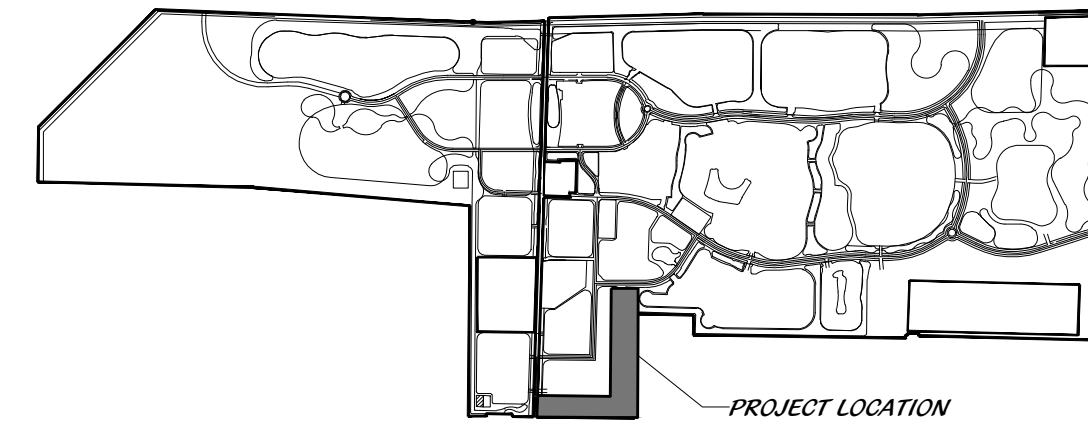


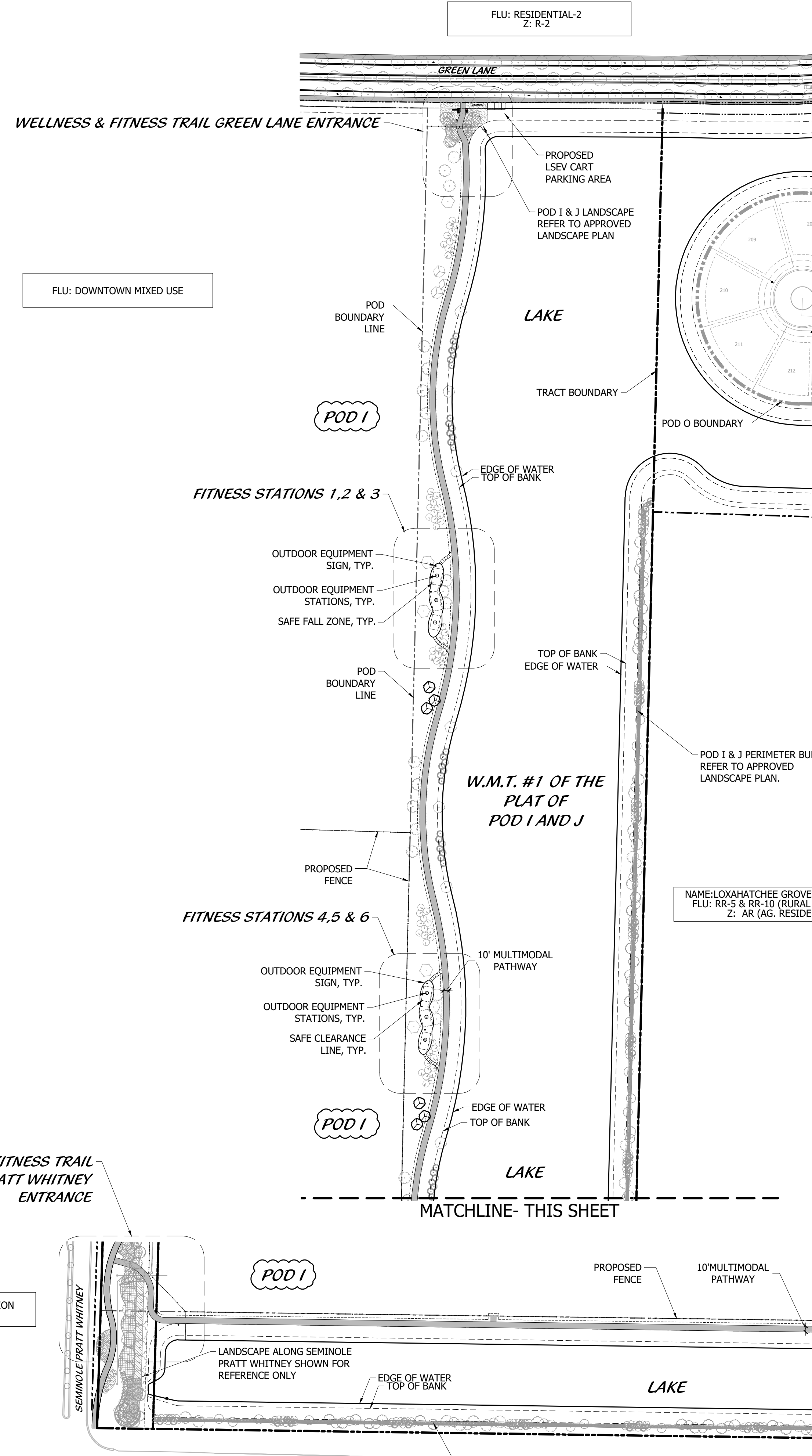
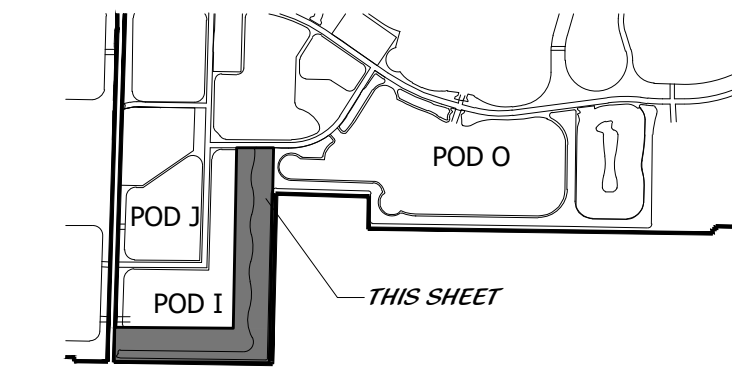
WESTLAKE WELLNESS & FITNESS TRAIL

SCALE: 1"=120'

LOCATION MAP



KEY MAP

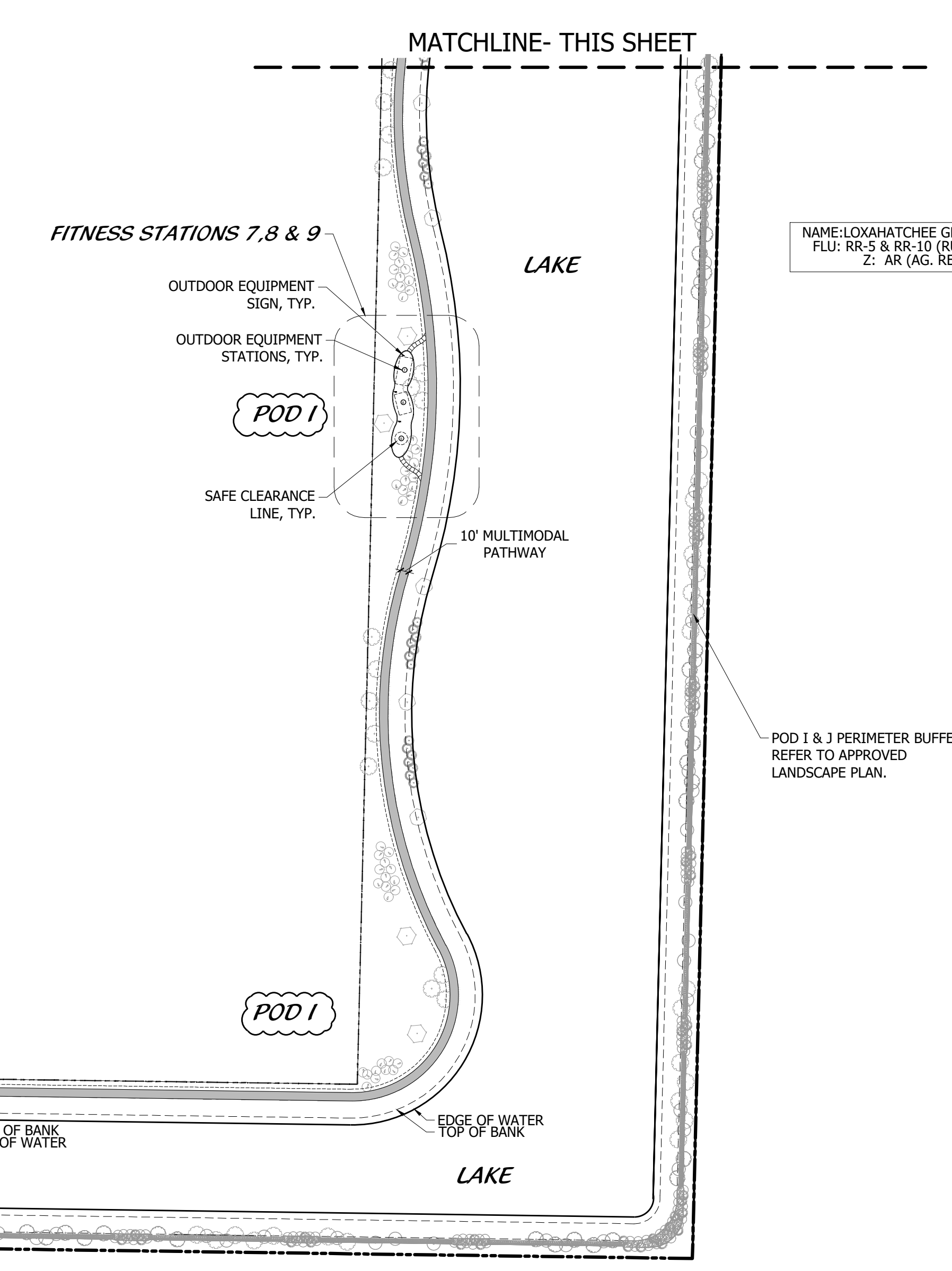


SITE DATA

NAME OF APPLICATION	WESTLAKE - WELLNESS & FITNESS TRAIL	
APPLICATION NUMBER	SPR-2020-12	
PROJECT NUMBER	CH 13-0518.94	
FUTURE LAND USE DESIGNATION	DOWN TOWN MIXED USE	
EXISTING ZONING DISTRICT	MIXED USE	
EXISTING USE	VACANT/ AGRICULTURE/ UTILITY	

OPEN SPACE DATA

	SF	AC
TOTAL SITE DATA	1,708,615	39,224
IMPERVIOUS AREA	297,281	6,825
PERVIOUS AREA	53,487	1,228
LAKE	1,357,847	31,172



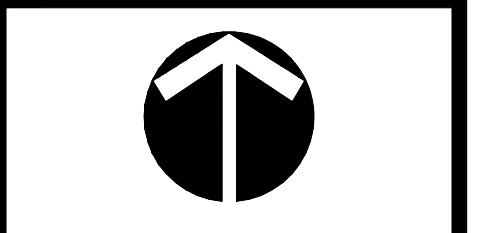
LEGAL DESCRIPTION: TRACT W.M.T.#1 AS IDENTIFIED ON THE PLAT OF AS RECORDED IN THE PUBLIC RECORDS OF PALM BEACH COUNTY ON PLAT BOOK NO. 130 ON PAGE 153-154.

MINTO WESTLAKE WESTLAKE WELLNESS & FITNESS TRAIL SITE PLAN

City of Westlake, Florida

Cotleur & Hearing
 Landscape Architects
 Land Planners
 Environmental Consultants
 1934 Commerce Lane
 Suite 1
 Jupiter, Florida 33458
 561.747.6336 · Fax 747.1377
 www.cotleurhearing.com
 Lic# LC-C000239

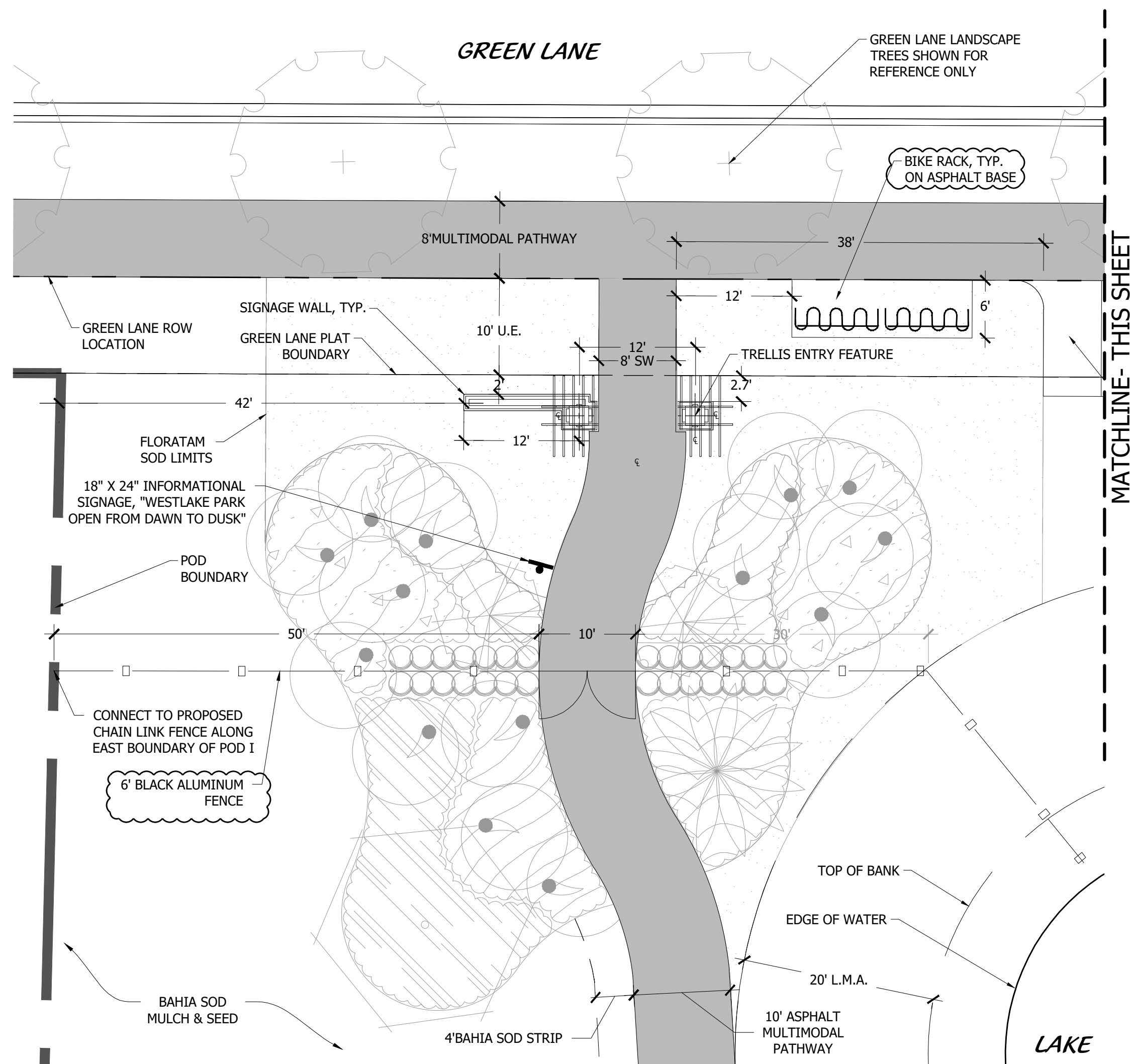
DESIGNED	DEH
DRAWN	JCO
APPROVED	DEH
JOB NUMBER	13-0518.88
DATE	08-25-20
REVISIONS	05-24-21
	06-08-21



June 08, 2021 7:06:11 p.m.
 Drawing: 13-0518.94_FITNESS TRAIL.SP.DWG

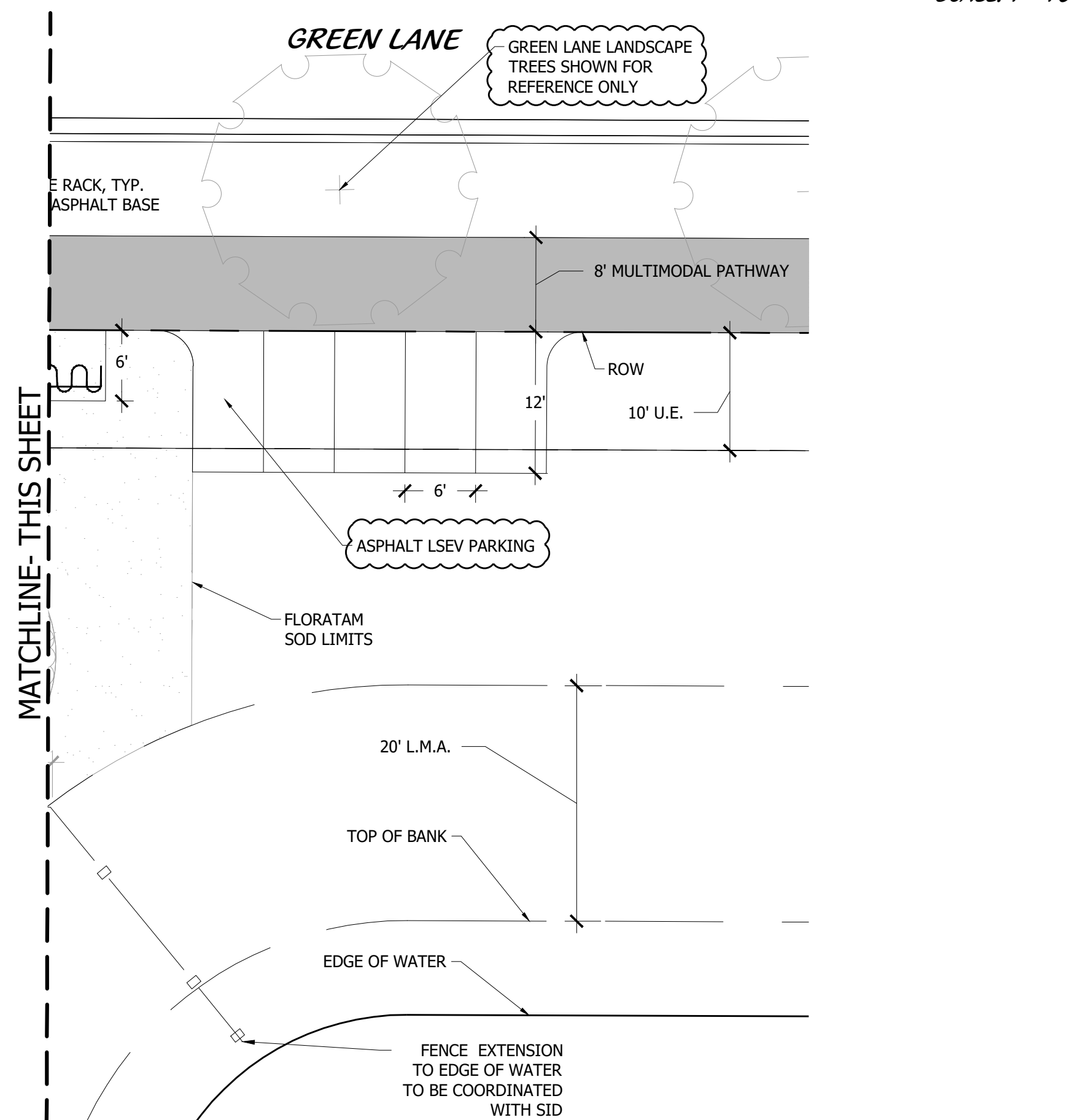
GREENLANE FITNESS TRAIL ENTRANCE DETAIL

SCALE: 1"=10'

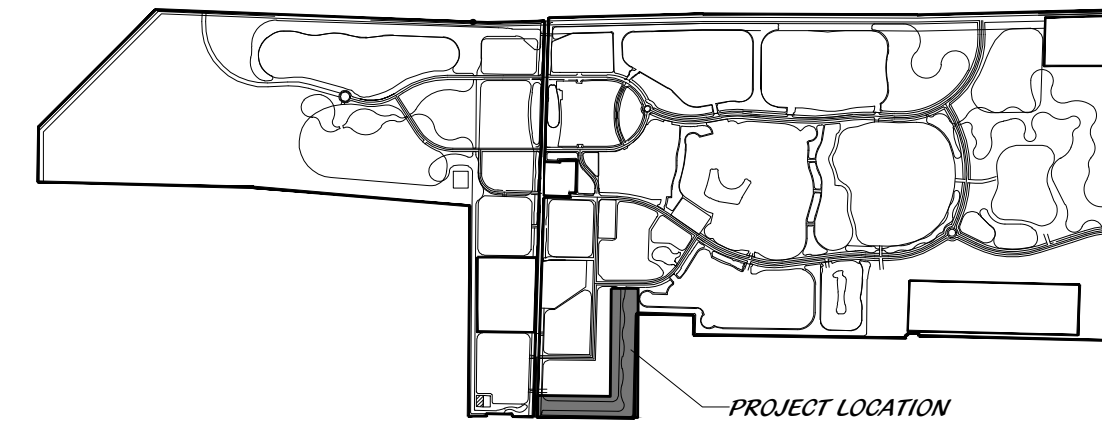


LOW SPEED ELECTRIC VEHICLE PARKING DETAIL

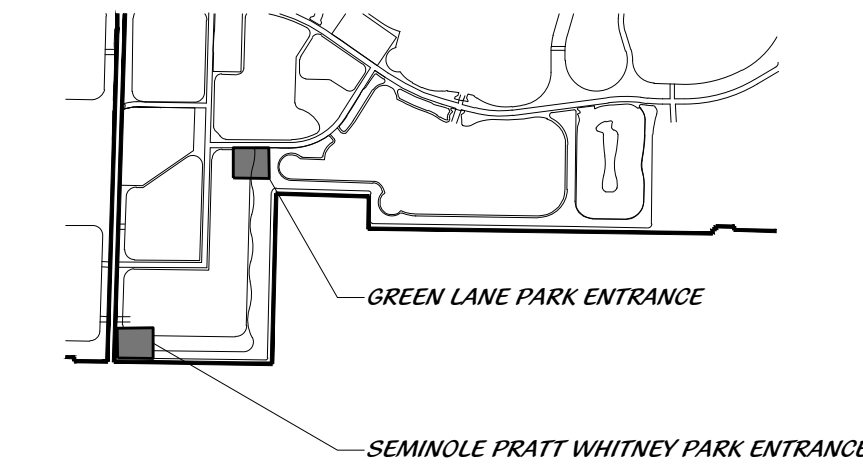
SCALE: 1"=10'



LOCATION MAP

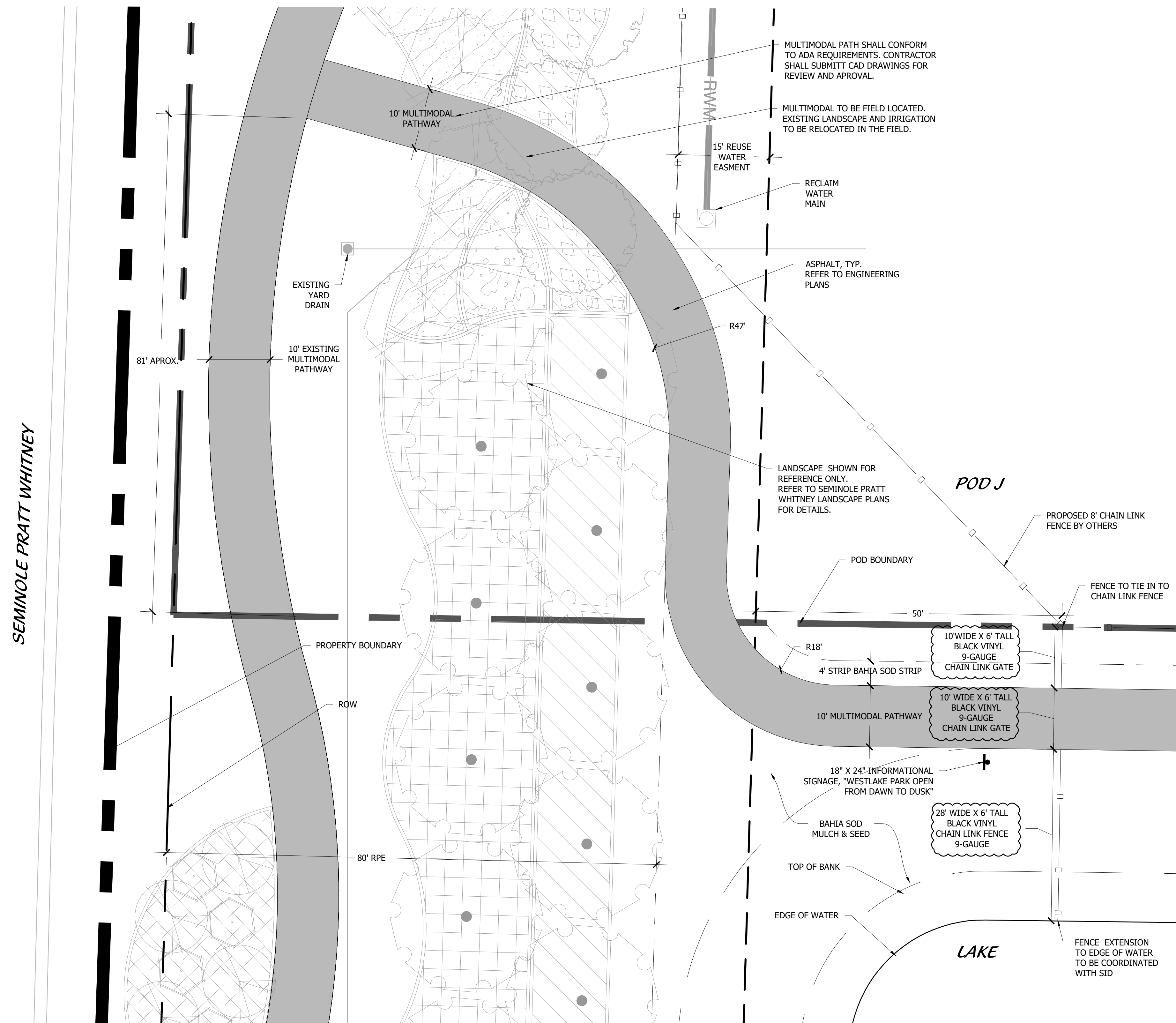


KEY MAP

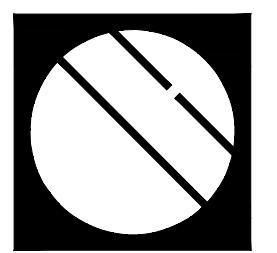


SEMINOLE PRATT WHITNEY FITNESS TRAIL ENTRANCE DETAIL

SCALE: 1"=10'



West Lake Fitness Trail Entrances



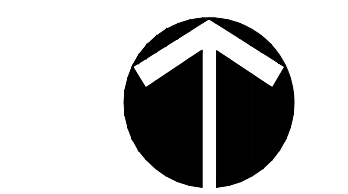
Cotleur & Hearing

Landscape Architects
Land Planners
Environmental Consultants
1934 Commerce Lane
Suite 1
Jupiter, Florida 33458
561.747.6336 · Fax 747.1377
www.cotleurhearing.com
Lic# LC-C000239

**MINTO WESTLAKE
WESTLAKE WELLNESS & FITNESS TRAIL**

SITE DETAILS
City of Westlake, Florida

DESIGNED	DEH
DRAWN	JCO
APPROVED	DEH
JOB NUMBER	13-0518.88
DATE	08-25-20
REVISIONS	05-24-21
	06-08-21

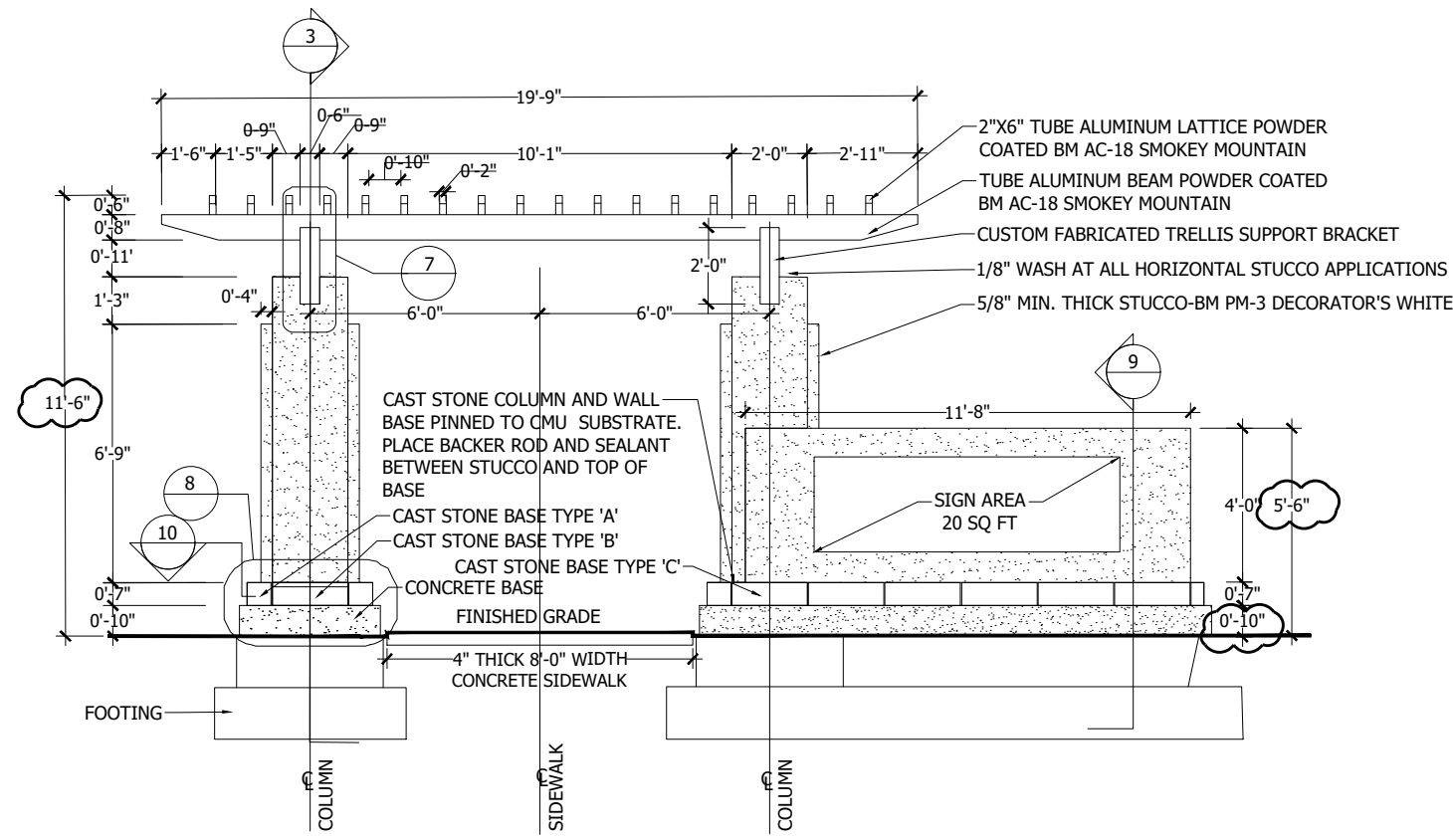


June 08, 2021 7:06:11 p.m.
Drawing: 13-0518.94_FITNESS TRAIL.SP.DWG

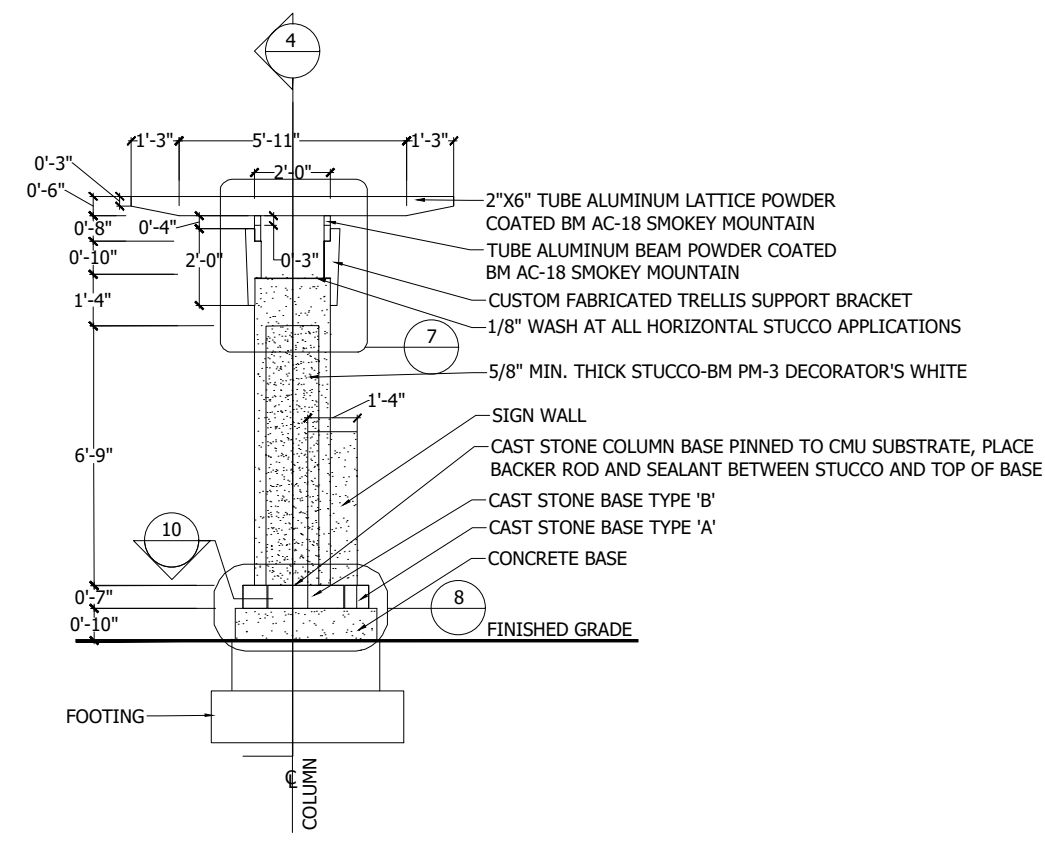
SHEET 2 OF 4

© COTLEUR & HEARING, INC.
These drawings are the property of the architect and are not to be used for extensions or on other projects except by agreement in writing with the architect. Immediately report any discrepancies to the architect.

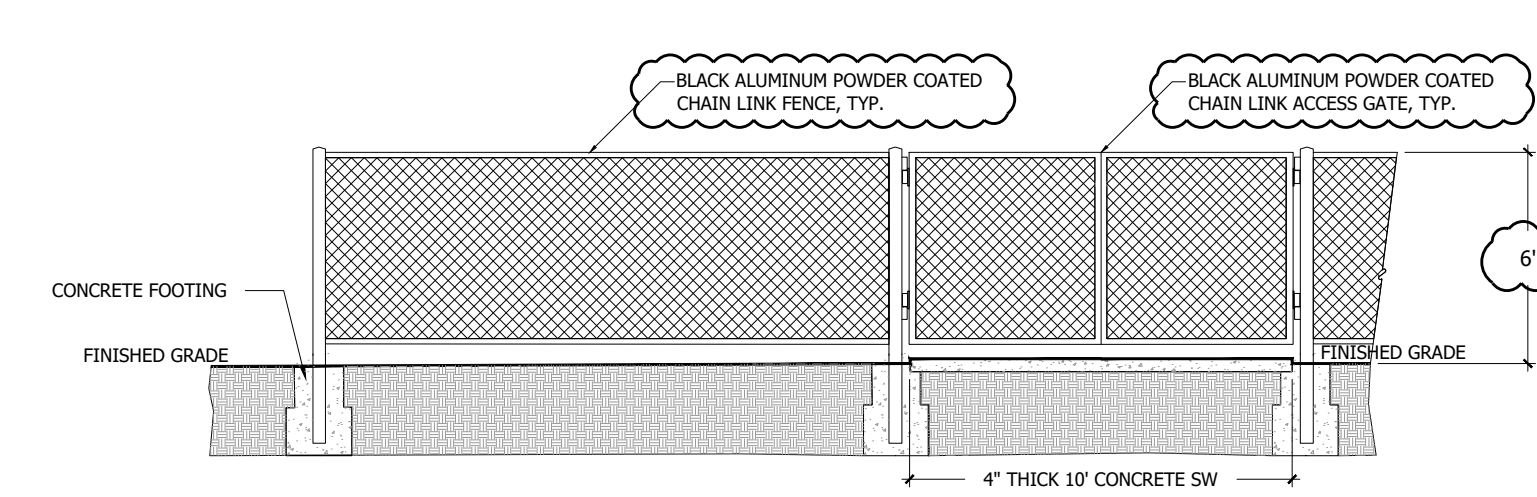
1 SIGN TRELLIS-FRONT ELEVATION SCALE: 1"=50'



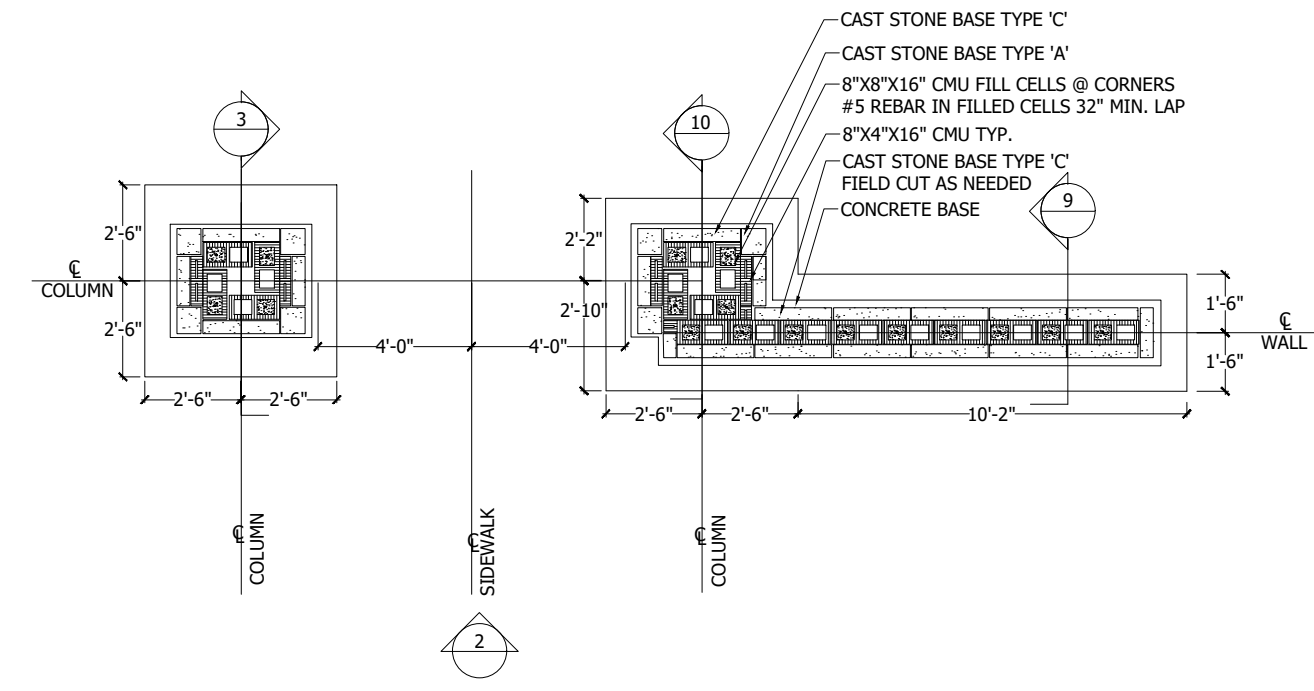
5 SIGN TRELLIS-SIDE ELEVATION SCALE: 1"=50'



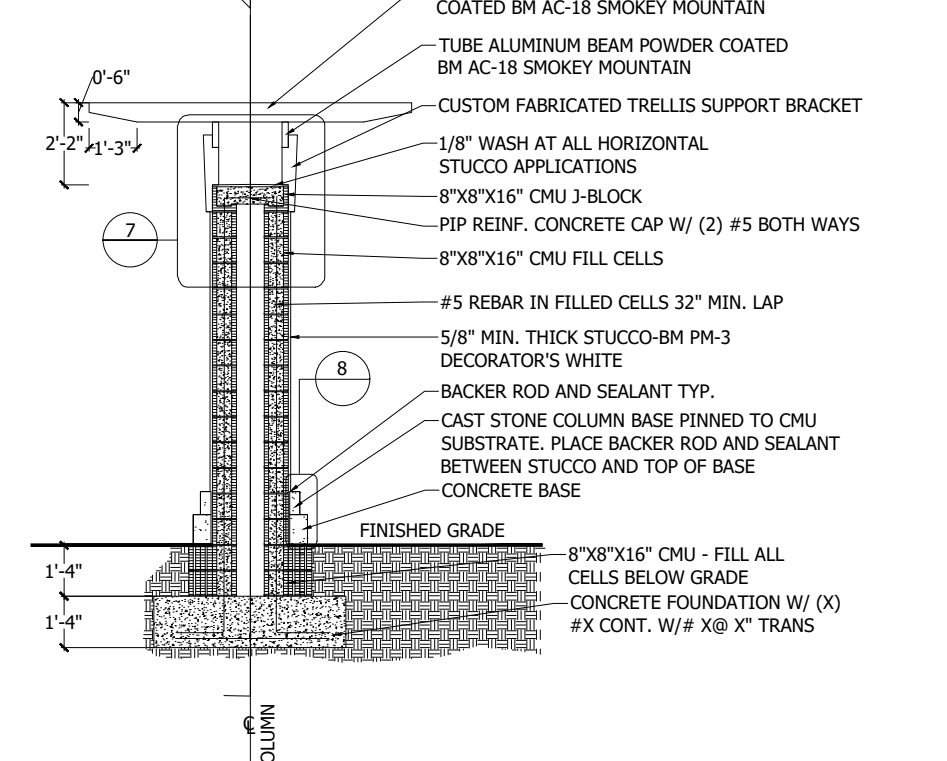
9 GOLF CART/MAINTENANCE ACCESS GATE DETAIL SCALE: 1"=50'
FINISH IS TO BE BLACK ALUMINUM POWDER COAT



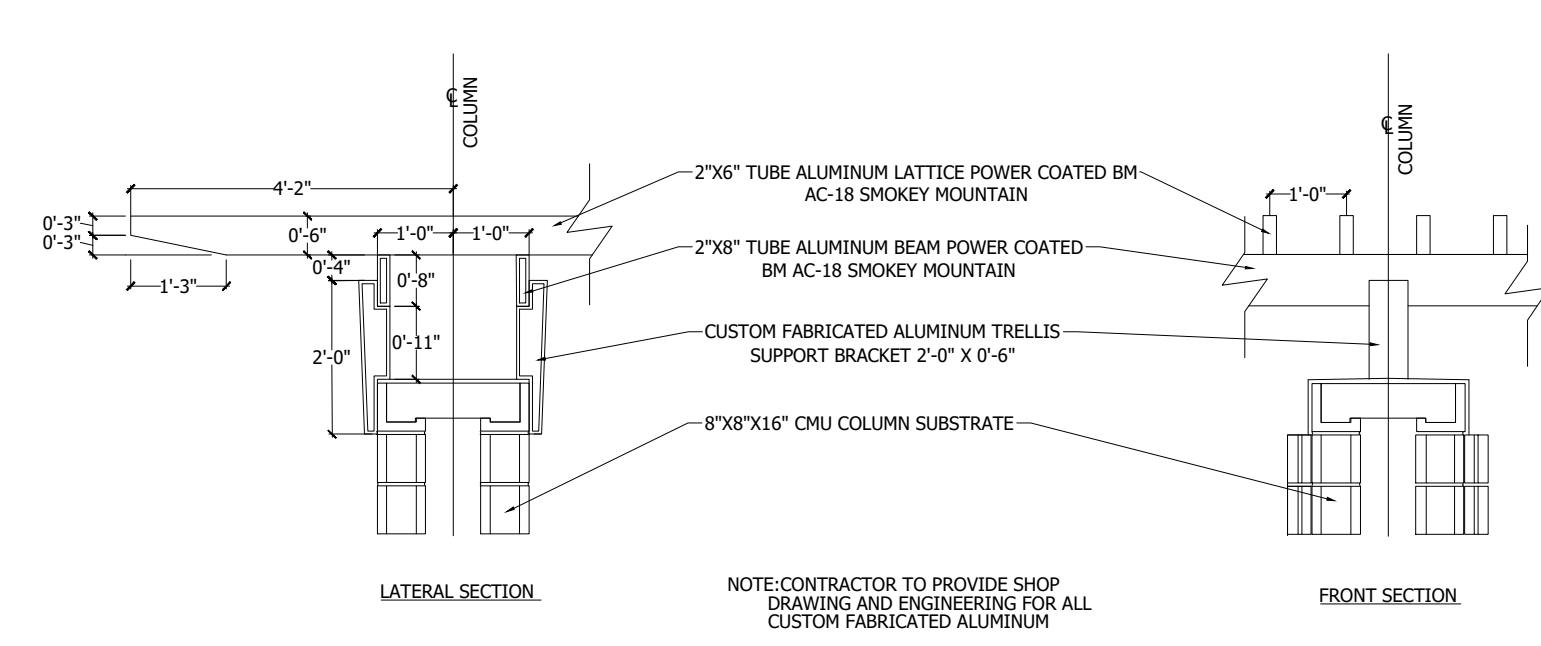
2 SIGN TRELLIS-FOUNDATION PLAN SCALE: 1"=50'



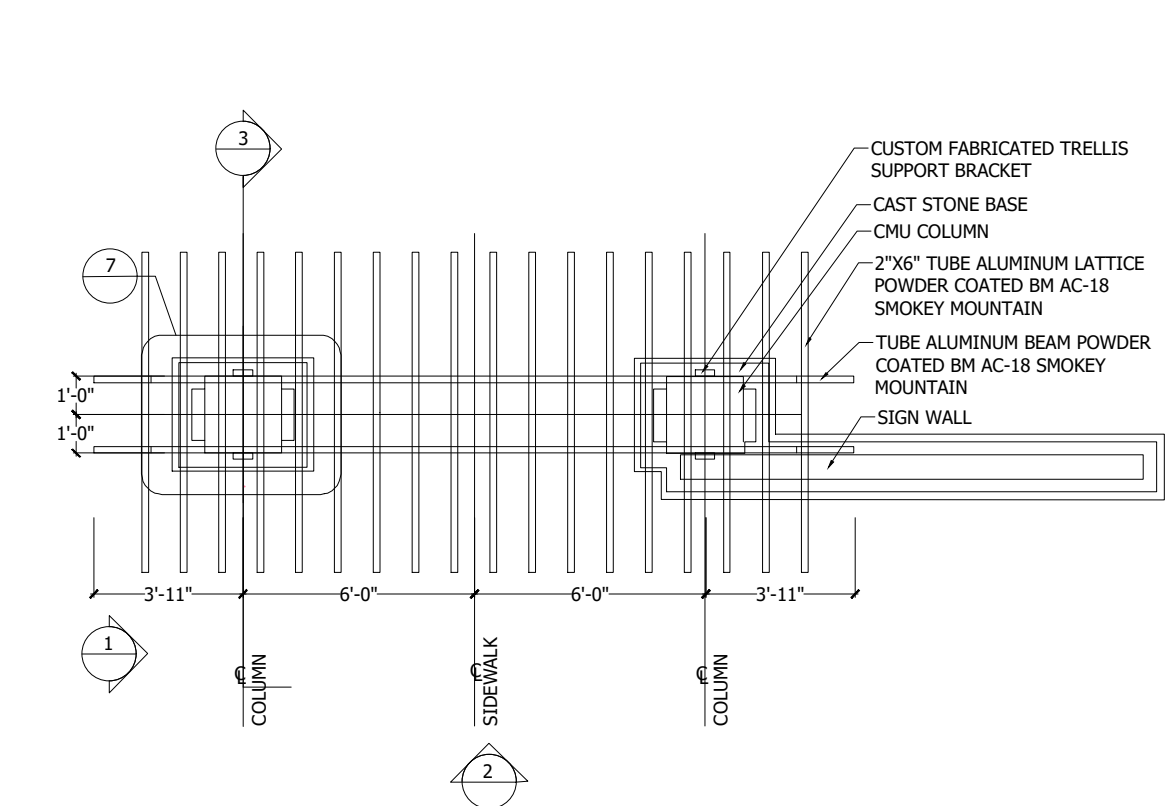
6 SIGN TRELLIS-LONGITUDINAL SECTION SCALE: 1"=50'



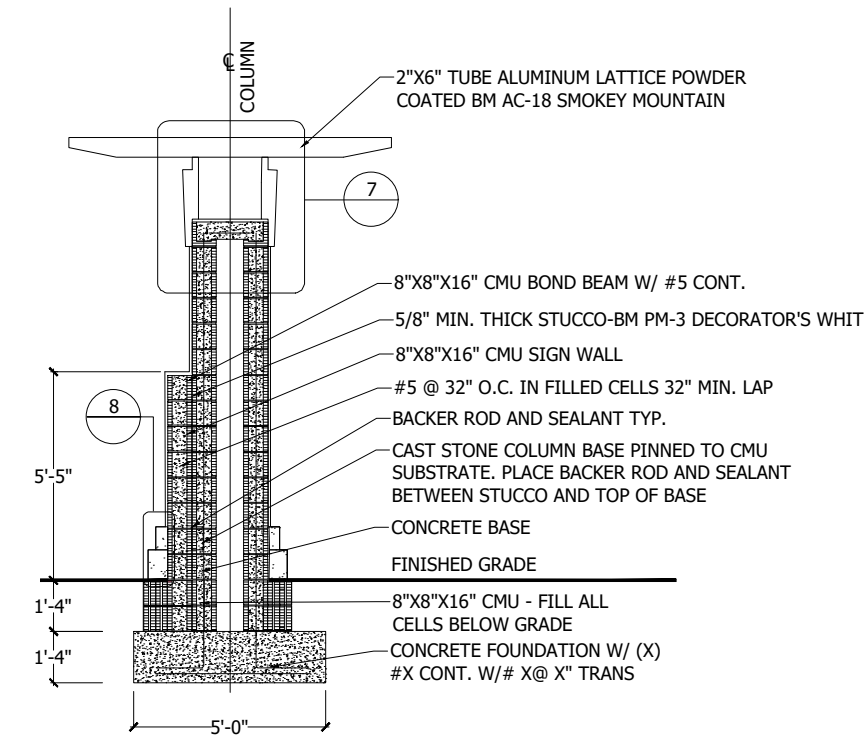
10 SIGN TRELLIS-ALUMINUM BRACKET DETAIL SCALE: 1"=50'



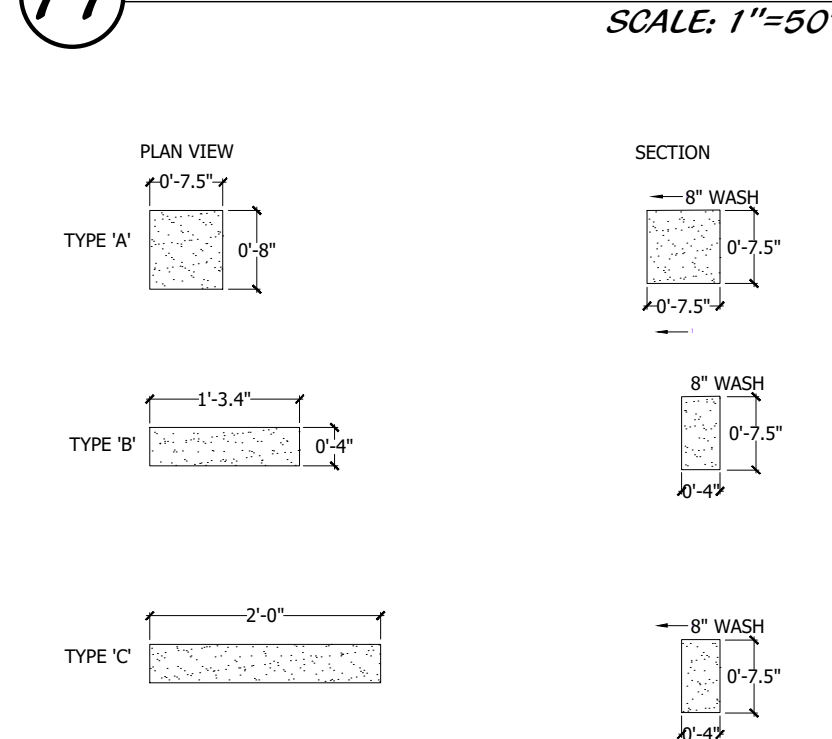
3 SIGN TRELLIS-FRAMING PLAN SCALE: 1"=50'



7 SIGN TRELLIS-SECTION AT COLUMN INTERFACE SCALE: 1"=50'



11 SIGN TRELLIS-CAST STONE BASE DETAILS SCALE: 1"=50'



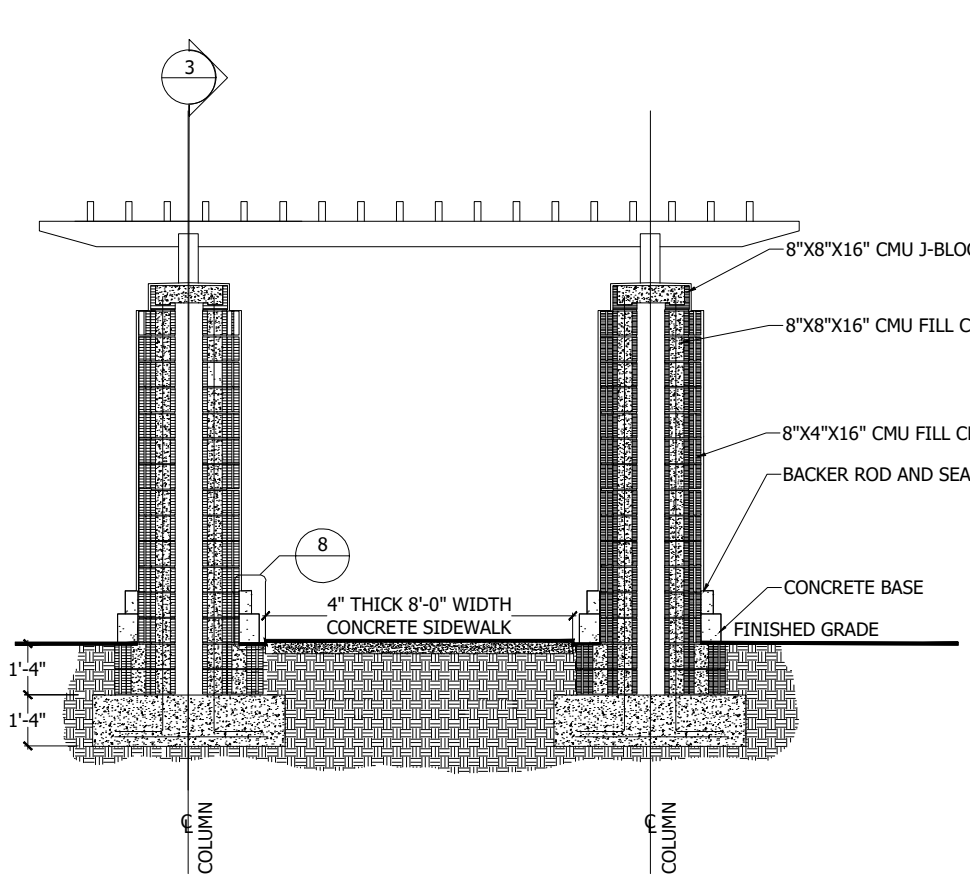
12 INFORMATIONAL SIGNAGE "TRAIL OPEN DAWN TO DUSK" SCALE: NTS

SIGNS SHALL BE DIMENSIONED AS SHOWN. SIGNS MUST BE ALUMINUM AND HAVE A MINIMUM OF .063 GAGE. DEVIATIONS TO THIS SIGN LAYOUT SHALL BE SUBMITTED TO THE LANDSCAPE ARCHITECT FOR APPROVAL.

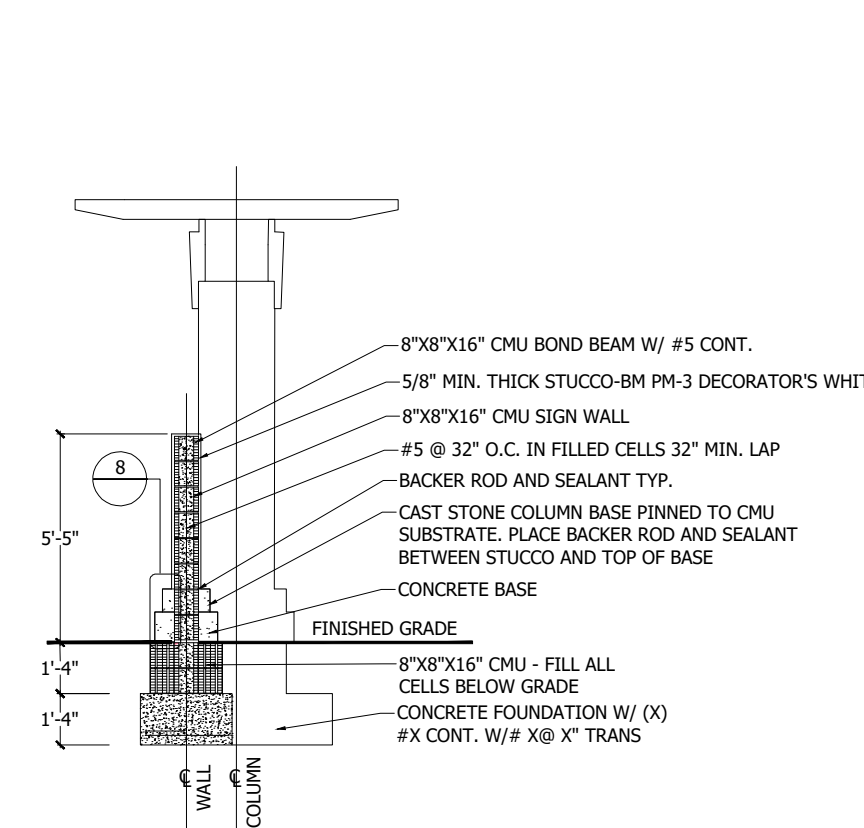
18"
24"
TRAIL OPEN FROM DAWN TO DUSK
1/2" WHITE REFLECTIVE BORDER
1-1/2" WHITE REFLECTIVE LETTERS
GREEN BACK GROUND

ALL SIGNS MUST BE VISIBLY POSTED AT EACH ENTRANCE AND BE A MINIMUM OF 24" ABOVE FINISHED GRADE OF ROAD CROWN AND WITHIN 5 FEET OF EDGE OF CURB.

4 SIGN TRELLIS-LATERAL SECTION SCALE: 1"=50'



8 SIGN TRELLIS - SECTION AT SIGN WALL SCALE: 1"=50'



NOTE: COLORS & MATERIAL FINISHES SHALL MATCH THE WESTLAKE ADVENTURE PARK.

Cotleur & Hearing
Landscape Architects
Land Planners
Environmental Consultants
1934 Commerce Lane
Suite 1
Jupiter, Florida 33458
561.747.6336 · Fax 747.1377
www.cotleurhearing.com
Lic# LC-C000239

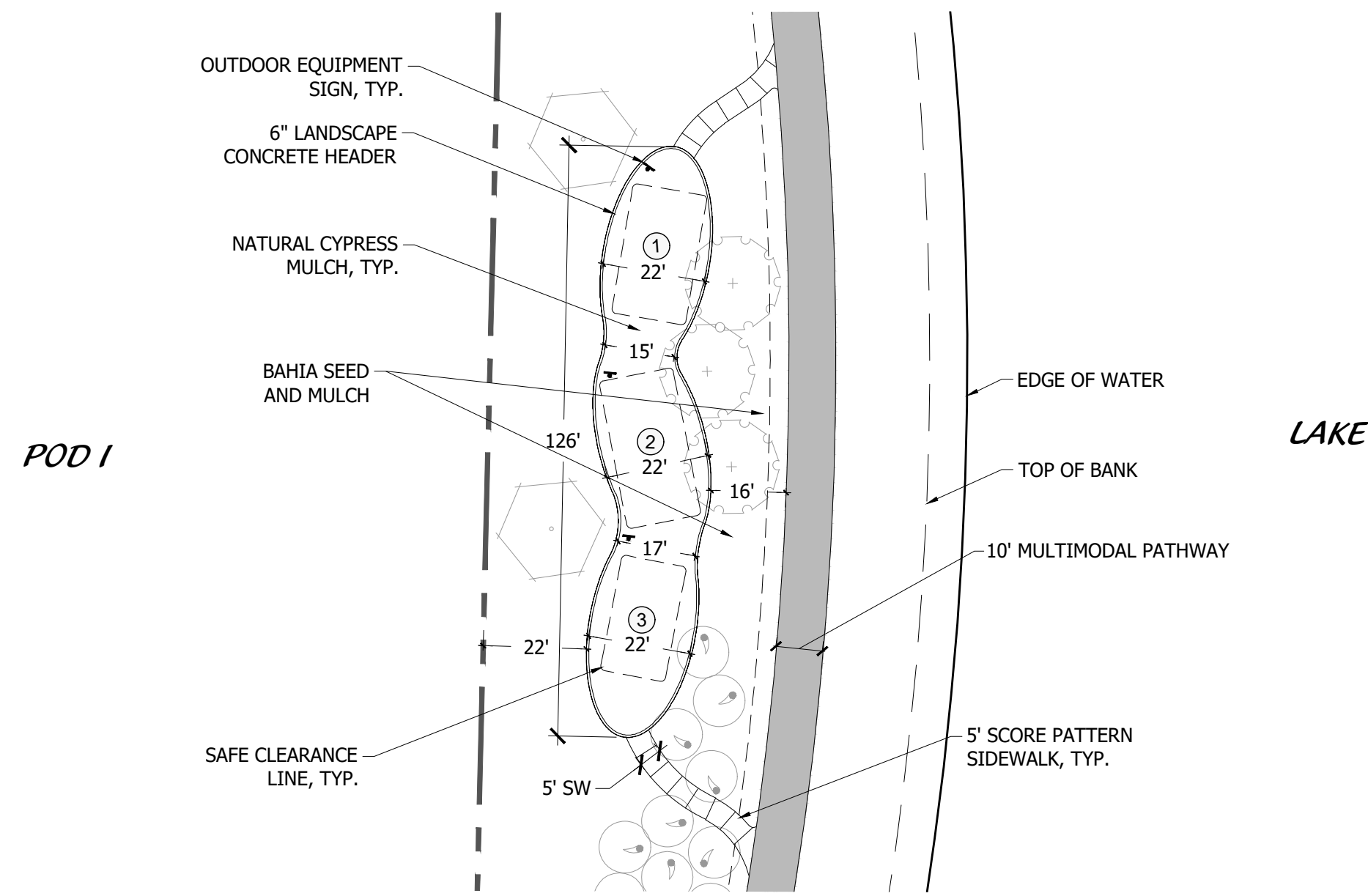
MINTO WESTLAKE WESTLAKE WELLNESS & FITNESS TRAIL
SITE DETAILS
City of Westlake, Florida

DESIGNED	DEH
DRAWN	JCO
APPROVED	DEH
JOB NUMBER	13-0518.88
DATE	08-25-20
REVISIONS	05-24-21
	06-08-21

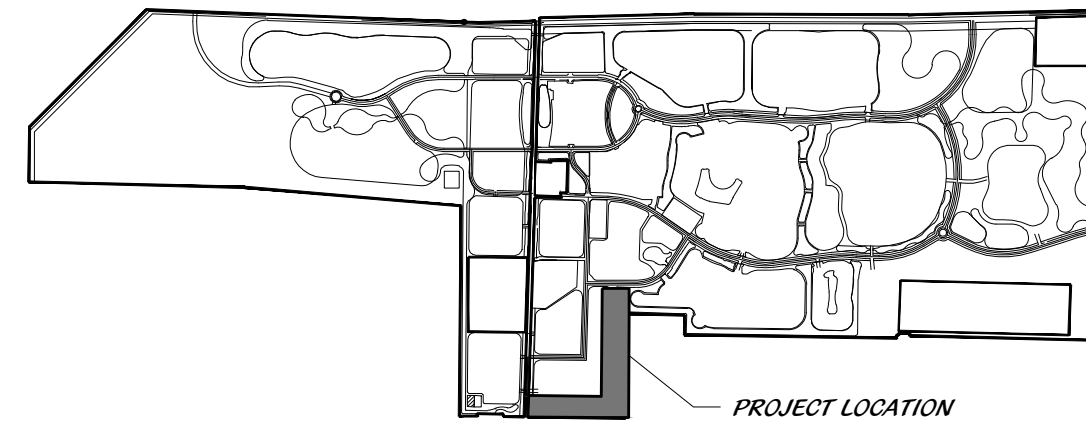
June 08, 2021 7:06:11 p.m.
Drawn: 13-0518.94_FITNESS TRAIL.SP.DWG

OUTDOOR FITNESS STATIONS 1,2 & 3

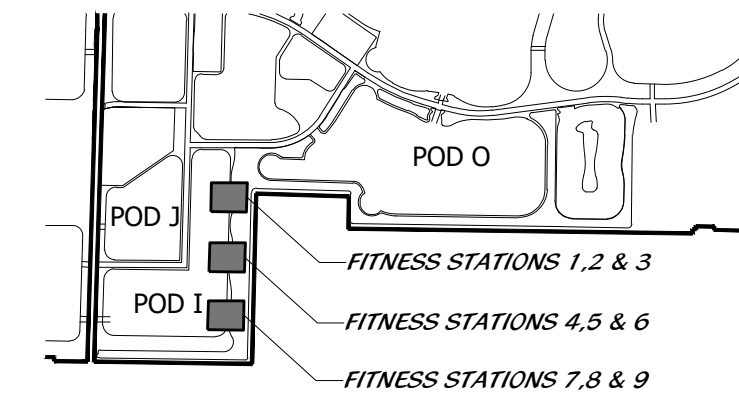
SCALE: 1"=30'



LOCATION MAP

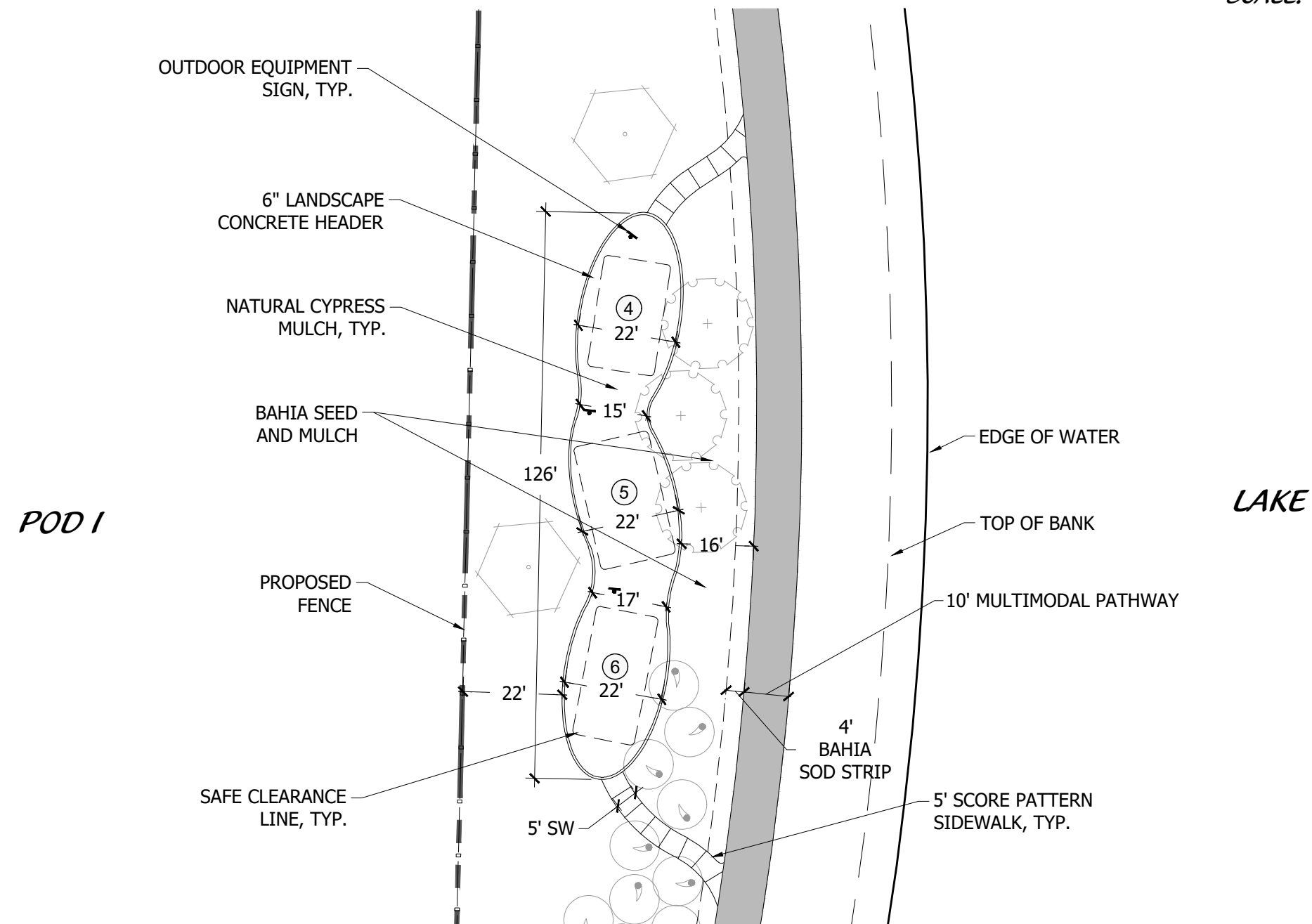


KEY MAP



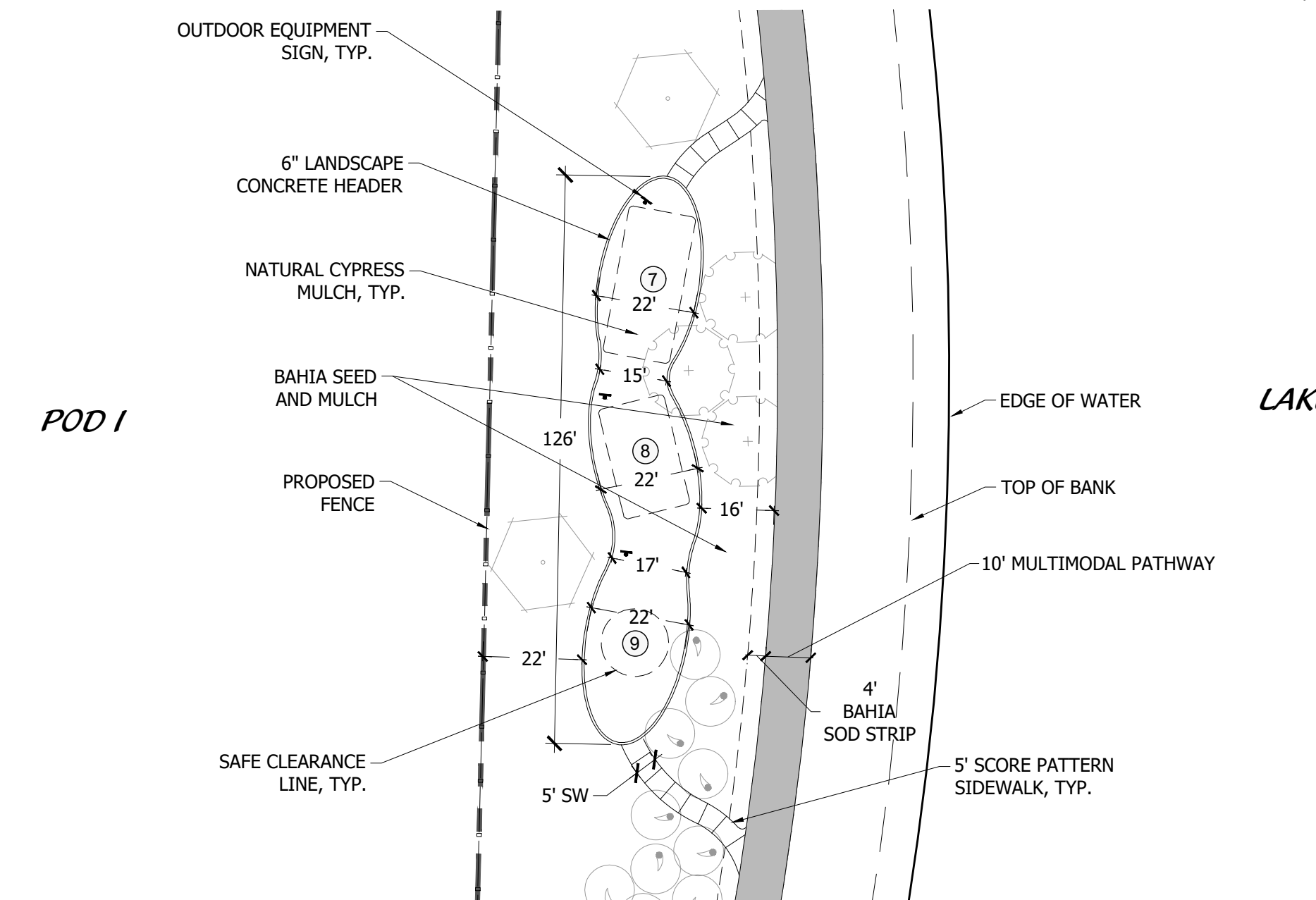
OUTDOOR FITNESS STATIONS 4,5 & 6

SCALE: 1"=30'



OUTDOOR FITNESS STATIONS 7,8 & 9

SCALE: 1"=30'



OUTDOOR FITNESS STATION DETAILS

① **FitCore® Extreme Angled Overhead Ladder (5-12)**

② **FitCore® Extreme Vertical Cargo Net (13+)**

③ **FitCore® Extreme Peg Bridge (5-12)**

④ **FitCore® Extreme Ledge Hanger (13+)**

⑤ **FitCore® Extreme High Step (13+)**

⑥ **FitCore® Extreme Wheel Bridge (13+)**

⑦ **FitCore® Extreme Unstable Bridge (13+)**

⑧ **FitCore® Extreme Spiderwalk (13+)**

⑨ **FitCore® Extreme Rope Climb (13+)**

USER GROUP:
DESIGNED FOR AGES 13 YEARS AND OLDER

SURFACE:
NATURAL CYPRESS MULCH OR APPROVED EQUAL

EQUIP. COLOR:
METALLIC SILVER COLOR FROM MANUFACTURER'S SELECTION OR APPROVED EQUAL

CONTACT INFORMATION:
FITCORE EXTREME
REP: LANDSCAPE STRUCTURES
<https://www.playlsi.com/en/playgrounds/fitness-equipment>

CONTRACTOR TO SUBMIT LAYOUT SHOP DRAWINGS FOR APPROVAL

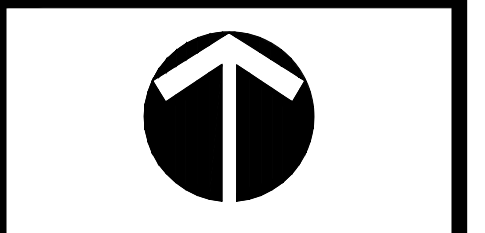
Fitness Station Details

WESTLAKE WELLNESS & FITNESS TRAIL

MINTO WESTLAKE
SITE DETAILS
City of Westlake, Florida

Cotleur & Hearing
Landscape Architects
Land Planners
Environmental Consultants
1934 Commerce Lane
Suite 1
Jupiter, Florida 33458
561.747.6336 · Fax 747.1377
www.cotleurhearing.com
Lic# LC-C000239

DESIGNED	DEH
DRAWN	JCO
APPROVED	DEH
JOB NUMBER	13-0518.88
DATE	08-25-20
REVISIONS	05-24-21
	06-08-21



June 08, 2021 7:06:11 p.m.
Drawing: 13-0518.94_FITNESS TRAIL_SP.DWG