



# Life Storage

Westlake



# SELF-SERVICE STORAGE WESTLAKE, FLORIDA

ST4 = ● (31 total)



SEMIMOLE RIDGE HIGH SCHOOL

SIGN LOCATION MAP





# Life Storage

**ST1** PRIMARY ID SIGN - Building 1  
Face Illuminated Channel Letters



**SPECIFICATIONS:**

5" DEEP, FACE ILLUMINATED CHANNEL LETTERS AND LOGO, FLUSH MOUNTED TO WALL AND ILLUMINATED WITH SLOAN LED'S.

- 3/16" THICK LEXAN FACES WITH 1" TRIMCAP FOR ICON ARMS AND MIDDLE BOX.
- 3/4" THICK WHITE TRANSLUCENT ACRYLIC FOR LETTERS. ROUTED AND RECESSED 1/2".
- PROPOSED SQUARE FOOTAGE: 58.4 S.F.

- QTY.(1) SET.

**COLOR SCHEDULE:**

- CHANNEL LETTERS RETURNS: PRE-FINISHED GLOSS WHITE
- ICON ARMS RETURN: WRISCO SUNOCO BLUE - TRIMCAP: JEWELITE BLUE
- ICON BOX RETURN: WRISCO CAUTION YELLOW - TRIMCAP: GEMINI 2540 MANGO YELLOW
- CHANNEL LETTERS VINYL COLOR: 3M 3630-157 PERFORATED SULTAN BLUE TRANSLUCENT VINYL
- ICON ARMS COLOR: 3M 3630-157 SULTAN BLUE
- ICON BOX LOGO: 3M 3630-025 TRANSLUCENT SUNFLOWER YELLOW
- LED'S COLOR: WHITE



DRAWING INFO	CLIENT NAME	PROJECT	CUSTOMER APPROVAL	REVISIONS																				
Sales/Project MGR: Glen Designer: BB Design Time: 2hr Date: 04.26.21	Pinnacle Storage of Westlake	Life Storage Westlake	Please verify colors, spelling, and layout prior to signing:  _____ Date _____	<table border="1"> <thead> <tr> <th>Version</th> <th>Time</th> <th>Date</th> <th>Intls.</th> </tr> </thead> <tbody> <tr> <td>1</td> <td>30min</td> <td>4.29.21</td> <td>BB</td> </tr> <tr> <td>2</td> <td>1hr</td> <td>5.10.21</td> <td>BB</td> </tr> <tr> <td>3</td> <td>30min</td> <td>5.13.21</td> <td>BB</td> </tr> <tr> <td>4</td> <td>45min</td> <td>6.16.21</td> <td>BB</td> </tr> </tbody> </table>	Version	Time	Date	Intls.	1	30min	4.29.21	BB	2	1hr	5.10.21	BB	3	30min	5.13.21	BB	4	45min	6.16.21	BB
Version	Time	Date	Intls.																					
1	30min	4.29.21	BB																					
2	1hr	5.10.21	BB																					
3	30min	5.13.21	BB																					
4	45min	6.16.21	BB																					

\* Due to varying sizes of raw material, sizes may vary.  
SHEET NO: **3**

# Life Storage

## ST2 SECONDARY ID SIGN - Building 1

Face Illuminated Channel Letters



ST2 FRONT VIEW | BUILDING 1  
SCALE: 3/4" = 1'

ST2 END VIEW  
SCALE: 3/4" = 1'

### SPECIFICATIONS:

5" DEEP, FACE ILLUMINATED CHANNEL LETTERS, FLUSH MOUNTED TO WALL AND ILLUMINATED WITH SLOAN LED'S. USE WHITE TRIMCAP.

- 3/16" THICK WHITE ACRYLIC FACES.
- PROPOSED SQUARE FOOTAGE: 24.6 S.F.

- QTY.(2) SET.

### COLOR SCHEDULE:

- CHANNEL LETTERS RETURNS: PRE-FINISHED GLOSS WHITE
- LED'S COLOR: WHITE
- CHANNEL LETTERS VINYL COLOR: 3M 3630-157 PERFORATED SULTAN BLUE TRANSLUCENT VINYL
- TRIMCAP: JEWELITE BLUE

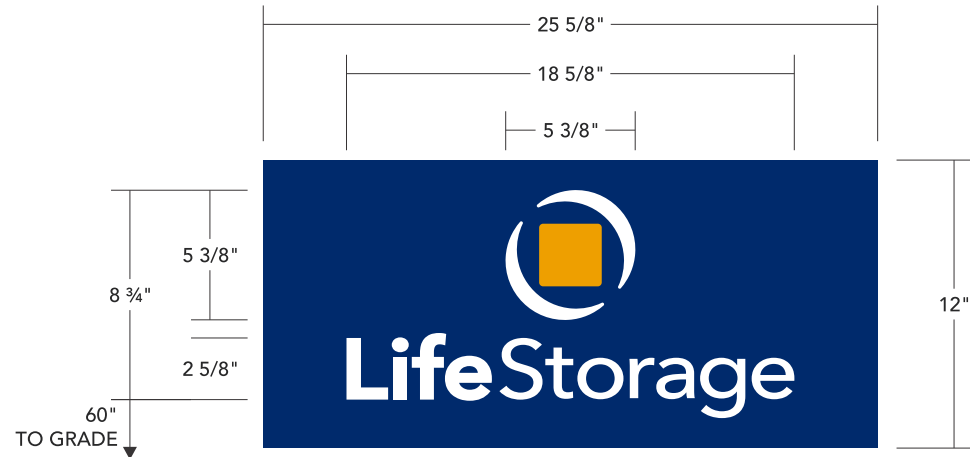


DRAWING INFO	CLIENT NAME	PROJECT	CUSTOMER APPROVAL	REVISIONS																				
Sales/Project MGR: Glen Designer: BB Design Time: 2hr Date: 04.26.21	Pinnacle Storage of Westlake	Life Storage Westlake	Please verify colors, spelling, and layout prior to signing: _____ Date _____	<table border="1"> <thead> <tr> <th>Version</th> <th>Time</th> <th>Date</th> <th>Intls.</th> </tr> </thead> <tbody> <tr> <td>1</td> <td>30min</td> <td>4.29.21</td> <td>BB</td> </tr> <tr> <td>2</td> <td>1hr</td> <td>5.10.21</td> <td>BB</td> </tr> <tr> <td>3</td> <td>30min</td> <td>5.13.21</td> <td>BB</td> </tr> <tr> <td>4</td> <td>45min</td> <td>6.16.21</td> <td>BB</td> </tr> </tbody> </table>	Version	Time	Date	Intls.	1	30min	4.29.21	BB	2	1hr	5.10.21	BB	3	30min	5.13.21	BB	4	45min	6.16.21	BB
Version	Time	Date	Intls.																					
1	30min	4.29.21	BB																					
2	1hr	5.10.21	BB																					
3	30min	5.13.21	BB																					
4	45min	6.16.21	BB																					

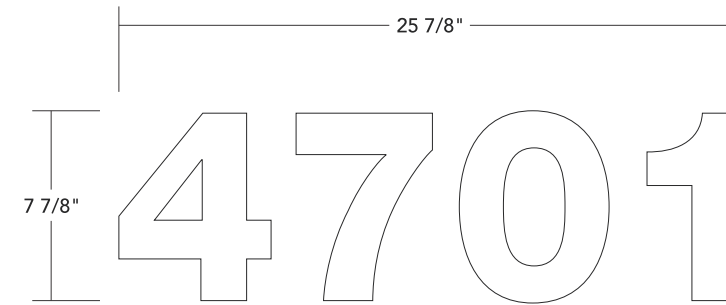
\* Due to varying sizes of raw material, sizes may vary.  
SHEET NO: **4**

# Life Storage

## ST3 WINDOW & DOOR VINYL White Vinyl Address Numbers



**ST3.2 FRONT VIEW | Door Logo | Detail View**  
SCALE: 1-1/2" = 1'



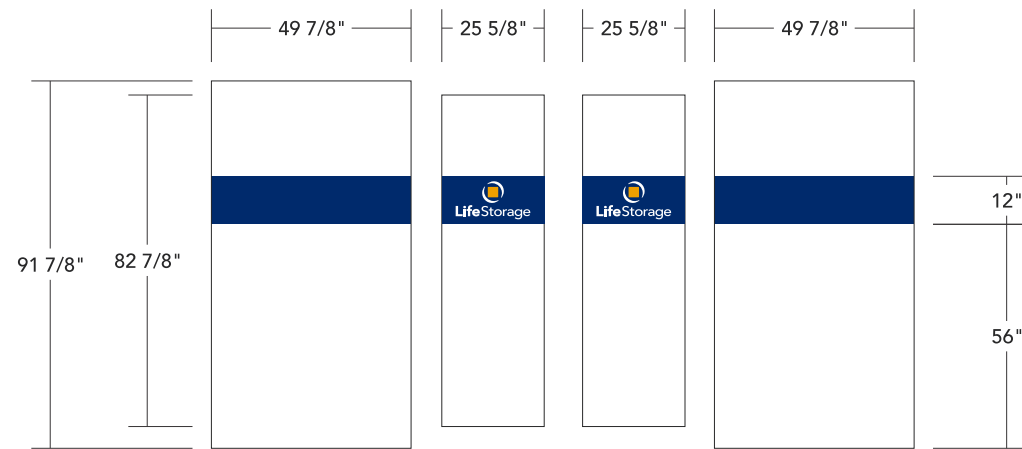
**ST3.1 FRONT VIEW | Address Vinyl | QTY 1**  
SCALE: 1-1/2" = 1'

**SPECIFICATIONS:**

8" TALL WHITE ADDRESS VINYL.  
TYPESTYLE: HELVETICA 65 MEDIUM

**COLOR SCHEDULE:**

3M OPAQUE WHITE VINYL



**ST3.2 FRONT VIEW**  
SCALE: 1/4" = 1'

**SPECIFICATIONS:**

SULTAN BLUE WINDOW BAND TO BE INSTALLED 2ND SURFACE.  
LOGO TO BE INSTALLED FIRST SURFACE.  
LOGO TO BE CENTERED AND 5'-0" AFF.  
VINYL APPLIED 1ST SURFACE.

**COLOR SCHEDULE:**

- 3M 3630-157 SULTAN BLUE
- 3M 3630-024 SUNFLOWER YELLOW
- WHITE VINYL



**A WEST ELEVATION | LAYOUT**  
SCALE: 1/8" = 1'



DRAWING INFO
Sales/Project MGR: Glen Designer: BB Design Time: 2hr Date: 04.26.21

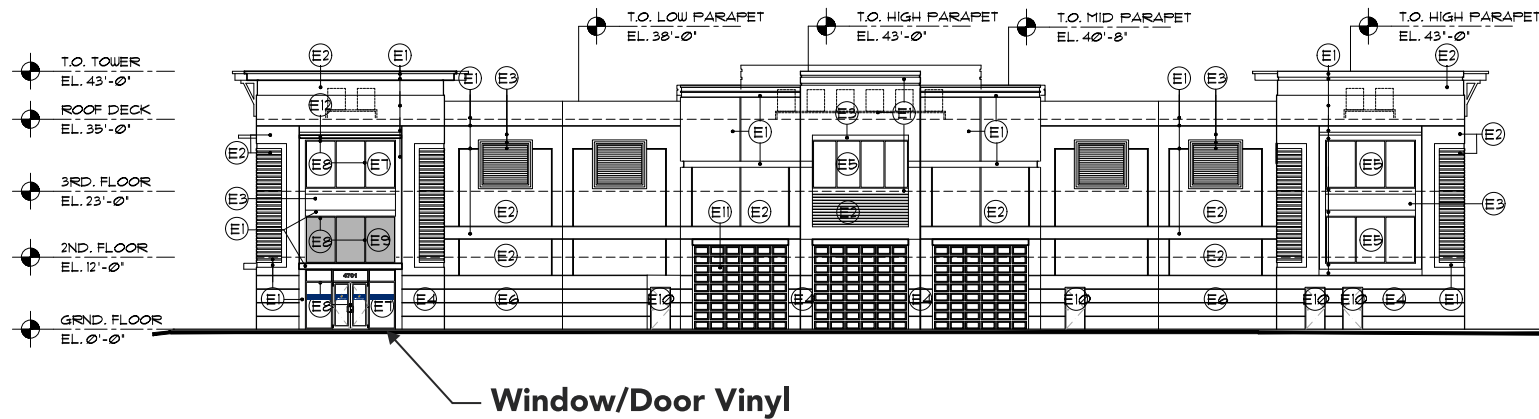
CLIENT NAME
Pinnacle Storage of Westlake

PROJECT
Life Storage Westlake

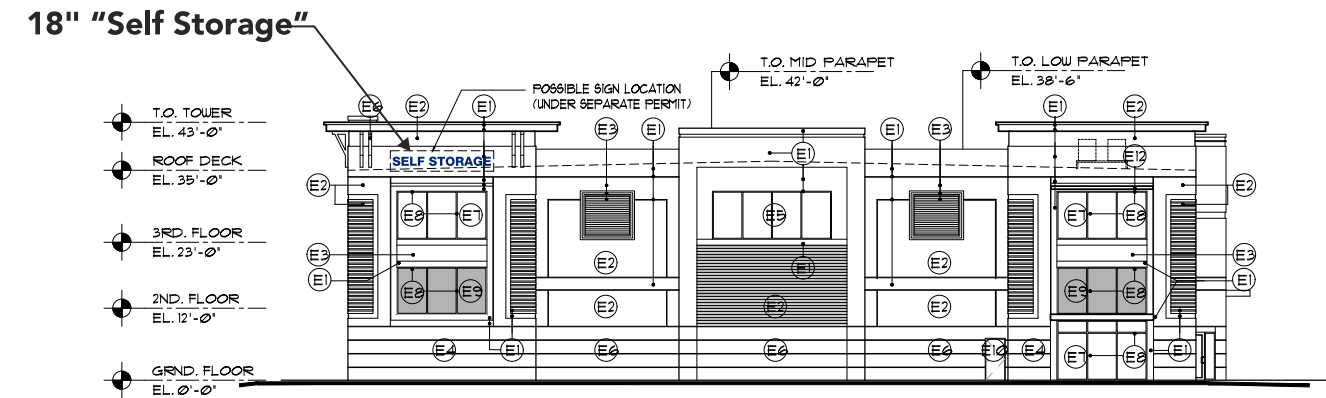
CUSTOMER APPROVAL
Please verify colors, spelling, and layout prior to signing:  _____ Date _____

REVISIONS			
Version	Time	Date	Intls.
1	30min	4.29.21	BB
2	1hr	5.10.21	BB
3	30min	5.13.21	BB
4	45min	6.16.21	BB

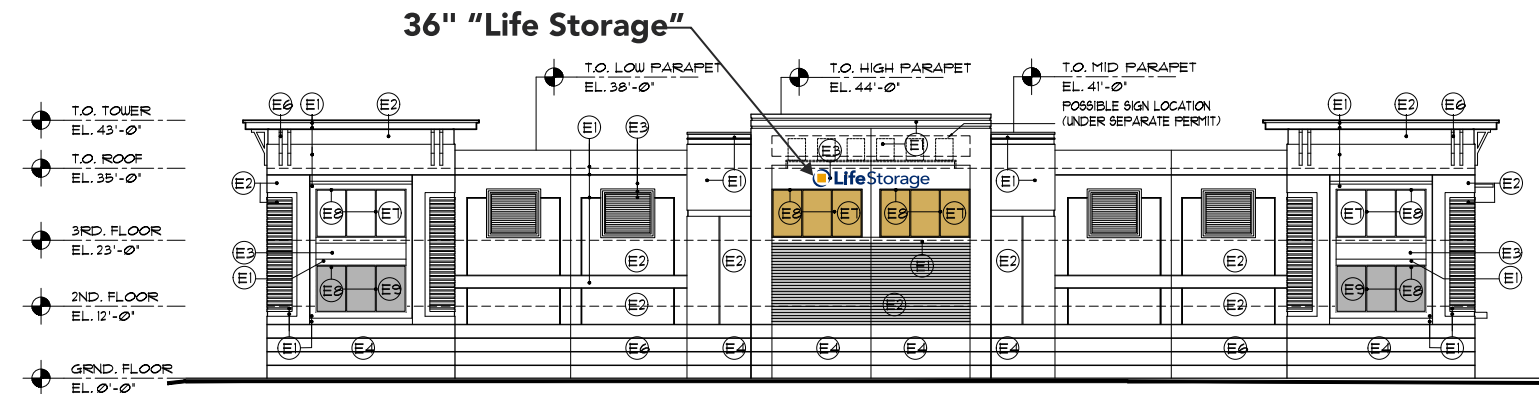
\* Due to varying sizes of raw material, sizes may vary.  
SHEET NO: **5**



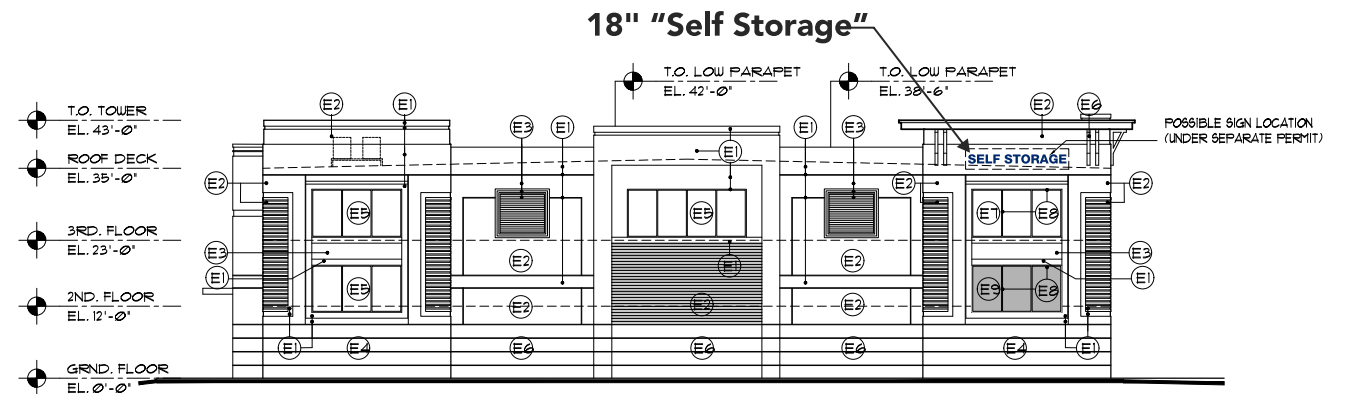
**1 WEST ELEVATION** BUILDING 1  
 SCALE: 1/32" = 1'  
 GRAPHIC SCALE (in feet)



**3 NORTH ELEVATION** BUILDING 1  
 SCALE: 1/32" = 1'  
 GRAPHIC SCALE (in feet)



**3 EAST ELEVATION** BUILDING 1  
 SCALE: 1/32" = 1'  
 GRAPHIC SCALE (in feet)



**4 SOUTH ELEVATION** BUILDING 1  
 SCALE: 1/32" = 1'  
 GRAPHIC SCALE (in feet)

**NOTE:**  
 Interior faux bay doors may be visible through upper elevation windows, whose function is solely for advertisement. They may be colored some version of orange or yellow, TBD.

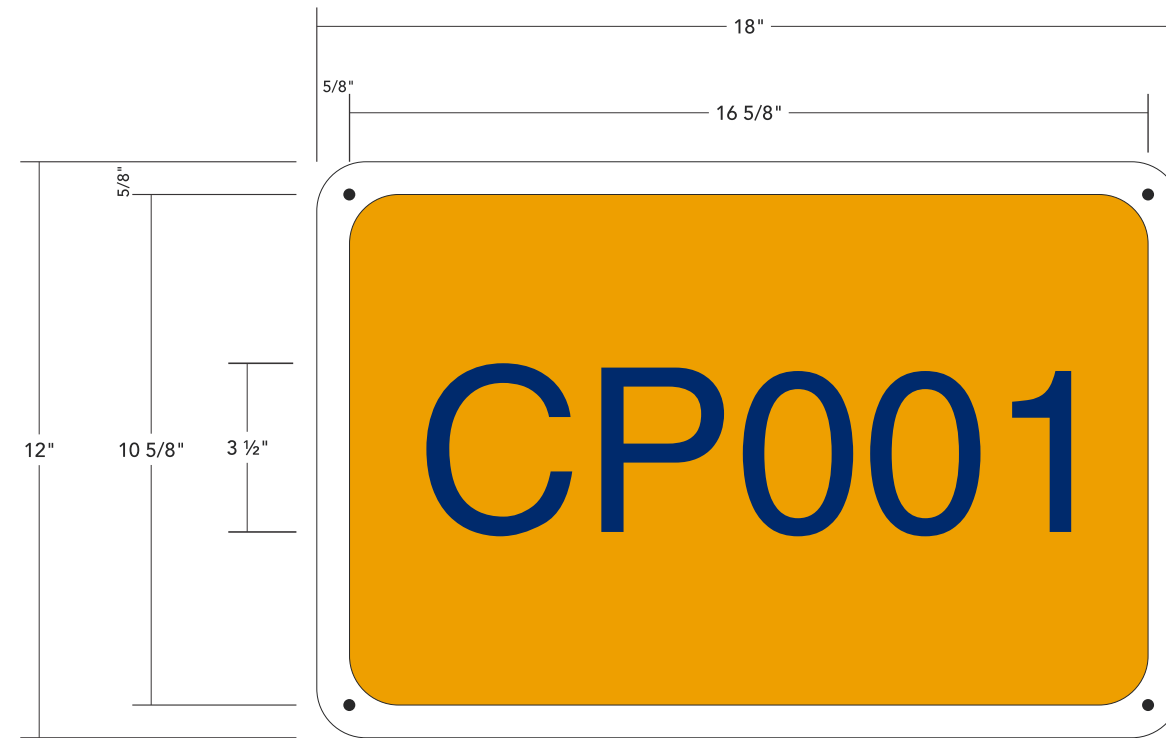


<p><b>DRAWING INFO</b></p> <p>Sales/Project MGR: Glen                  Designer: BB Design Time: 4hr                  Date: 04.26.21</p>	<p><b>CLIENT NAME</b></p> <p>Pinnacle Storage of Westlake</p>	<p><b>PROJECT</b></p> <p>Life Storage Westlake</p>	<p><b>CUSTOMER APPROVAL</b></p> <p>Please verify colors, spelling, and layout prior to signing:</p> <p>_____ Date _____</p>	<p><b>REVISIONS</b></p> <table border="1"> <thead> <tr> <th>Version</th> <th>Time</th> <th>Date</th> <th>Intls.</th> </tr> </thead> <tbody> <tr> <td>1</td> <td>30min</td> <td>4.29.21</td> <td>BB</td> </tr> <tr> <td>2</td> <td>1hr</td> <td>5.10.21</td> <td>BB</td> </tr> <tr> <td>3</td> <td>30min</td> <td>5.13.21</td> <td>BB</td> </tr> <tr> <td>4</td> <td>45min</td> <td>6.16.21</td> <td>BB</td> </tr> </tbody> </table>	Version	Time	Date	Intls.	1	30min	4.29.21	BB	2	1hr	5.10.21	BB	3	30min	5.13.21	BB	4	45min	6.16.21	BB	<p>* Due to varying sizes of raw material, sizes may vary.</p> <p>SHEET NO: <b>6</b></p>
Version	Time	Date	Intls.																						
1	30min	4.29.21	BB																						
2	1hr	5.10.21	BB																						
3	30min	5.13.21	BB																						
4	45min	6.16.21	BB																						

# Life Storage

## ST4 COVERED OPEN STORAGE ID PANEL

Digitally Printed Aluminum ID Panel



**ST4** FRONT VIEW | TYPICAL SHOWN | QTY 31 (TBC)  
SCALE: 3" = 1'

### SPECIFICATIONS:

.063" THICK WHITE ALUMINUM PANEL WITH DIGITALLY PRINTED GRAPHICS.  
1" RADIUS ROUNDED CORNERS.  
(4) .25" HOLES FOR MOUNTING

**NOTE:** TYPICAL SHOWN, AWAITING CONFIRMATION ON TOTAL QUANTITY.

### COLOR SCHEDULE:

- DIGITAL PRINT TO MATCH: 3M 3630-157 SULTAN BLUE
- DIGITAL PRINT TO MATCH: 3M 3630-024 SUNFLOWER YELLOW



DRAWING INFO		CLIENT NAME	PROJECT	CUSTOMER APPROVAL	REVISIONS			
Sales/Project MGR: Glen Designer: BB Design Time: 2hr Date: 04.26.21		Pinnacle Storage of Westlake	Life Storage Westlake	Please verify colors, spelling, and layout prior to signing:  _____ Date _____	Version	Time	Date	Intls.
					1	30min	4.29.21	BB
					2	.1hr	5.10.21	BB
					3	30min	5.13.21	BB
					4	45min	6.16.21	BB

\* Due to varying sizes of raw material, sizes may vary.

SHEET NO: **7**

# Life Storage

## ST5 DIRECTORY SIGN Aluminum Post and Panel

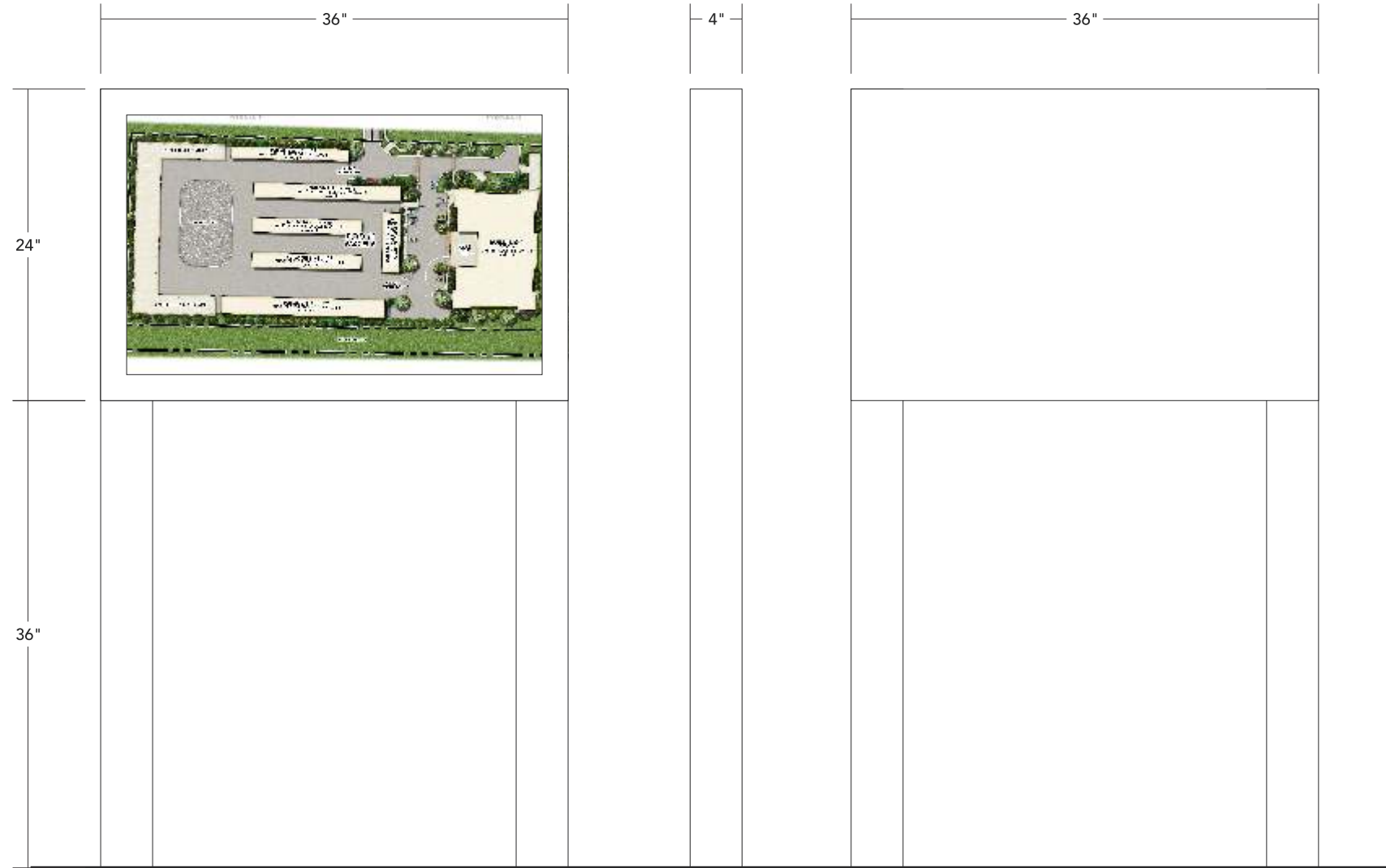
### SPECIFICATIONS:

SINGLE SIDED ALUMINUM POST/PANEL SIGN.  
4" ALUMINUM SQ. TUBE AS LEGS, .080 ALUMINUM SKIN  
WITH DIGITAL PRINT MAP ATTACHED WITH COUNTER-SUNK SCREWS.  
ALL SIDES TO BE COVERED.  
MAP AND SPECIFICATIONS ARE TBD.

- QTY.(1) SET.

### COLOR SCHEDULE:

- PAINT ALL SURFACES WHITE
- DIGITALLY PRINTED MAP



**ST5 FRONT VIEW**  
SCALE: 1" = 1'



DRAWING INFO	CLIENT NAME	PROJECT	CUSTOMER APPROVAL	REVISIONS																				
Sales/Project MGR: Glen Designer: BB Design Time: 2hr Date: 04.26.21	Pinnacle Storage of Westlake	Life Storage Westlake	Please verify colors, spelling, and layout prior to signing:  _____ Date _____	<table border="1"> <thead> <tr> <th>Version</th> <th>Time</th> <th>Date</th> <th>Intls.</th> </tr> </thead> <tbody> <tr> <td>1</td> <td>30min</td> <td>4.29.21</td> <td>BB</td> </tr> <tr> <td>2</td> <td>.1hr</td> <td>5.10.21</td> <td>BB</td> </tr> <tr> <td>3</td> <td>30min</td> <td>5.13.21</td> <td>BB</td> </tr> <tr> <td>4</td> <td>45min</td> <td>6.16.21</td> <td>BB</td> </tr> </tbody> </table>	Version	Time	Date	Intls.	1	30min	4.29.21	BB	2	.1hr	5.10.21	BB	3	30min	5.13.21	BB	4	45min	6.16.21	BB
Version	Time	Date	Intls.																					
1	30min	4.29.21	BB																					
2	.1hr	5.10.21	BB																					
3	30min	5.13.21	BB																					
4	45min	6.16.21	BB																					

\* Due to varying sizes of raw material, sizes may vary.  
SHEET NO: **8**



# Life Storage

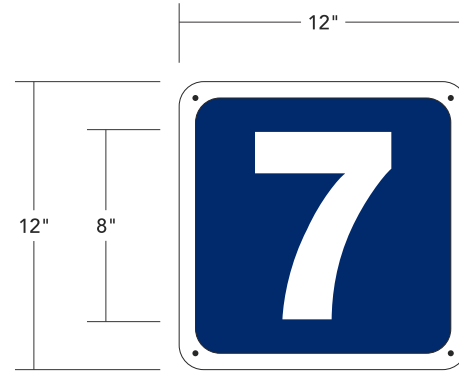
## ST6 BUILDING ID SIGN 1/4" Thick Aluminum FCO

### SPECIFICATIONS:

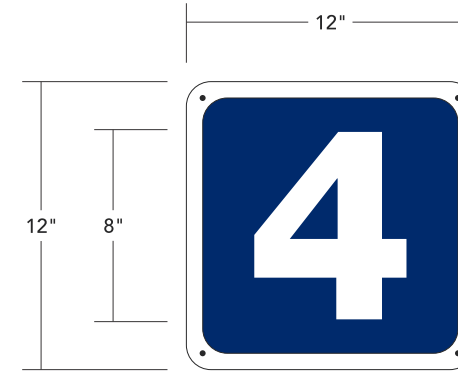
.090" THICK WHITE ALUMINUM PANEL WITH DIGITALLY PRINTED GRAPHICS.  
NUMBER TO BE REVERSED OUT.  
1" RADIUS ROUNDED CORNERS. (4) .25" HOLES FOR MOUNTING

### COLOR SCHEDULE:

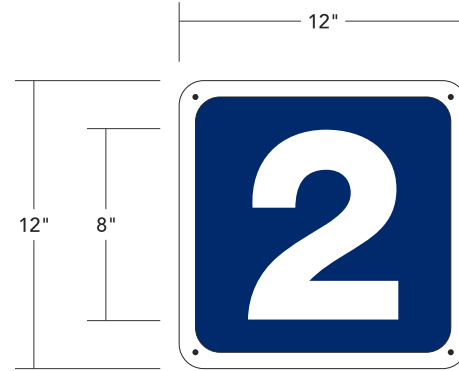
■ DIGITAL PRINT TO MATCH: 3M 3630-157 SULTAN BLUE



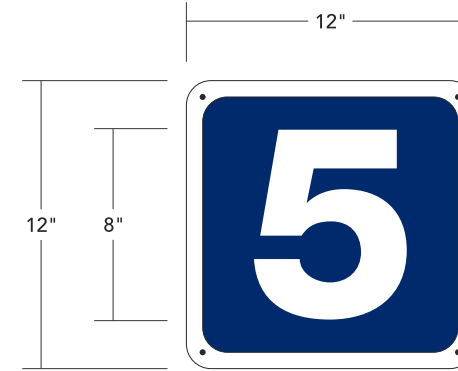
ST6.1 - QTY 2



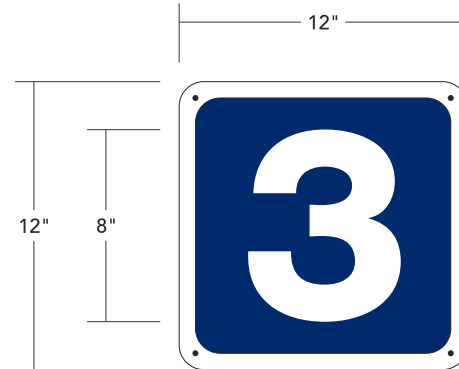
ST6.4 - QTY 2



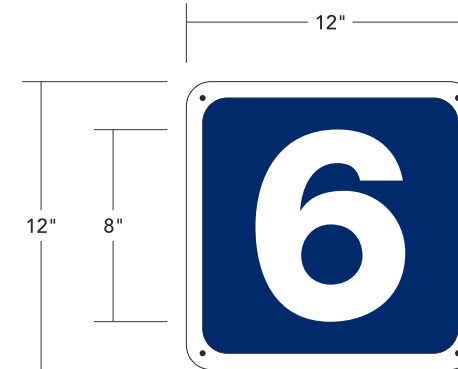
ST6.2 - QTY 2



ST6.5 - QTY 1



ST6.3 - QTY 2



ST6.6 - QTY 2

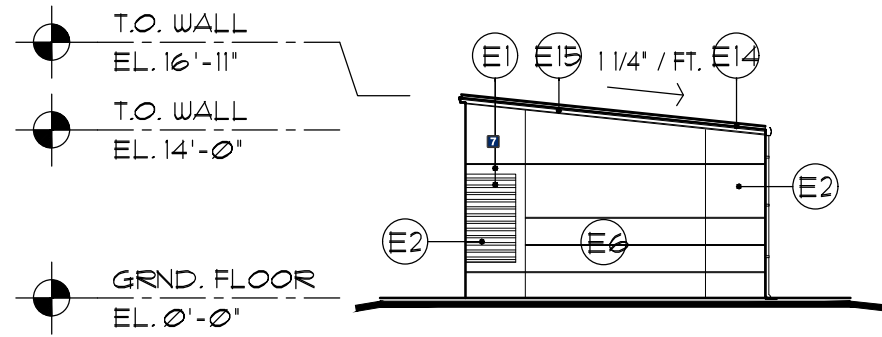
### ST6 FRONT VIEW | QTY AS NOTED

SCALE: 1-1/2" = 1'

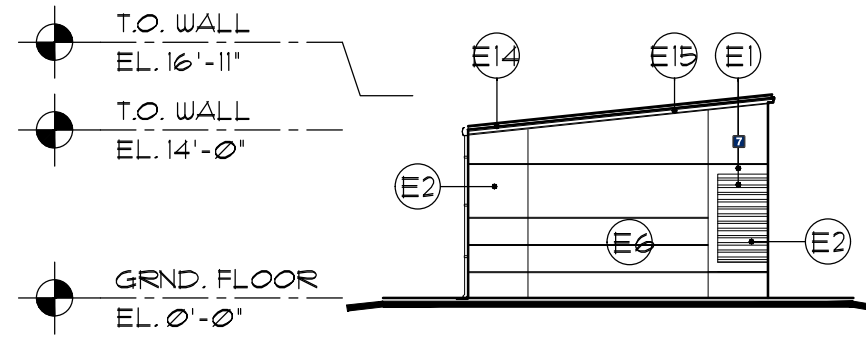


DRAWING INFO	CLIENT NAME	PROJECT	CUSTOMER APPROVAL	REVISIONS																				
Sales/Project MGR: Glen Designer: BB Design Time: 2hr Date: 04.26.21	Pinnacle Storage of Westlake	Life Storage Westlake	Please verify colors, spelling, and layout prior to signing:  _____ Date _____	<table border="1"> <thead> <tr> <th>Version</th> <th>Time</th> <th>Date</th> <th>Intls.</th> </tr> </thead> <tbody> <tr> <td>1</td> <td>30min</td> <td>4.29.21</td> <td>BB</td> </tr> <tr> <td>2</td> <td>1hr</td> <td>5.10.21</td> <td>BB</td> </tr> <tr> <td>3</td> <td>30min</td> <td>5.13.21</td> <td>BB</td> </tr> <tr> <td>4</td> <td>45min</td> <td>6.16.21</td> <td>BB</td> </tr> </tbody> </table>	Version	Time	Date	Intls.	1	30min	4.29.21	BB	2	1hr	5.10.21	BB	3	30min	5.13.21	BB	4	45min	6.16.21	BB
Version	Time	Date	Intls.																					
1	30min	4.29.21	BB																					
2	1hr	5.10.21	BB																					
3	30min	5.13.21	BB																					
4	45min	6.16.21	BB																					

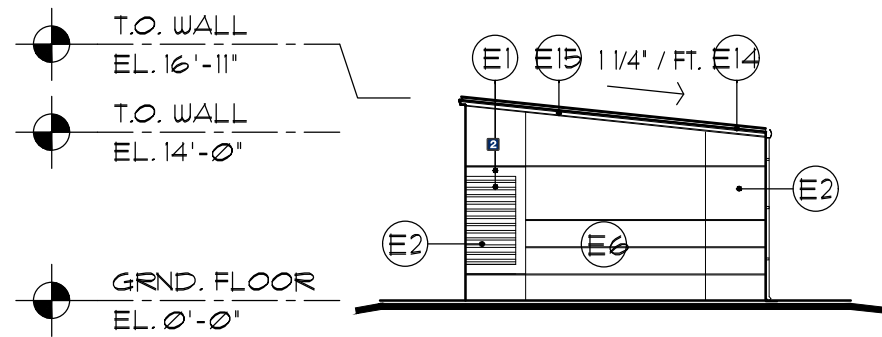
\* Due to varying sizes of raw material, sizes may vary.  
SHEET NO: **9**



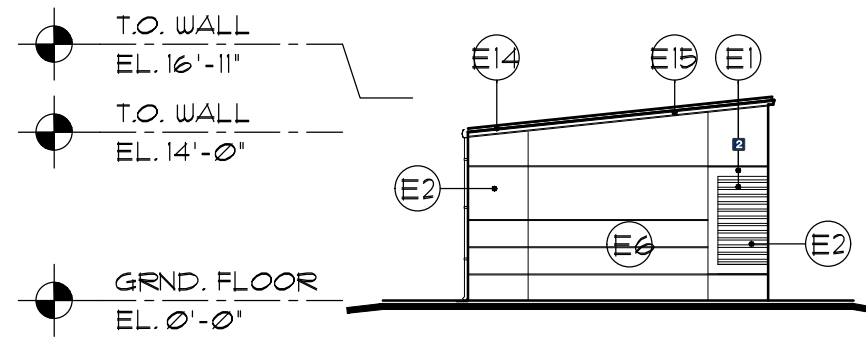
**B7 BUILDING 7 | NORTH ELEVATION**  
SCALE: 1/16" = 1'



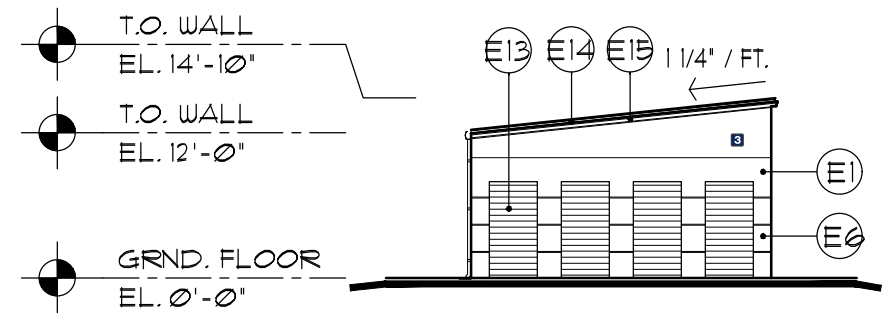
**B7 BUILDING 7 | SOUTH ELEVATION**  
SCALE: 1/16" = 1'



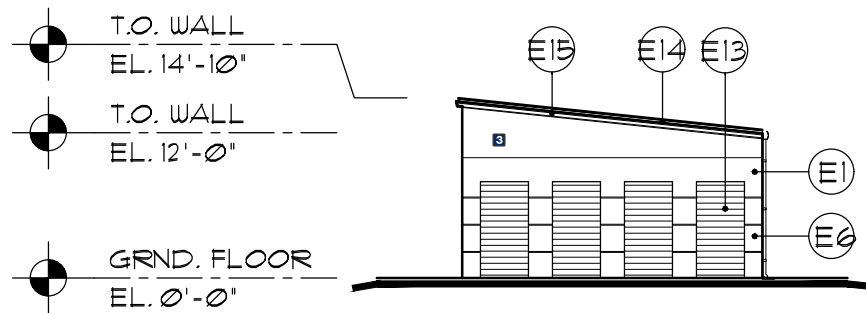
**B2 BUILDING 2 | EAST ELEVATION**  
SCALE: 1/16" = 1'



**B2 BUILDING 2 | WEST ELEVATION**  
SCALE: 1/16" = 1'



**B3 BUILDING 3 | EAST ELEVATION**  
SCALE: 1/16" = 1'



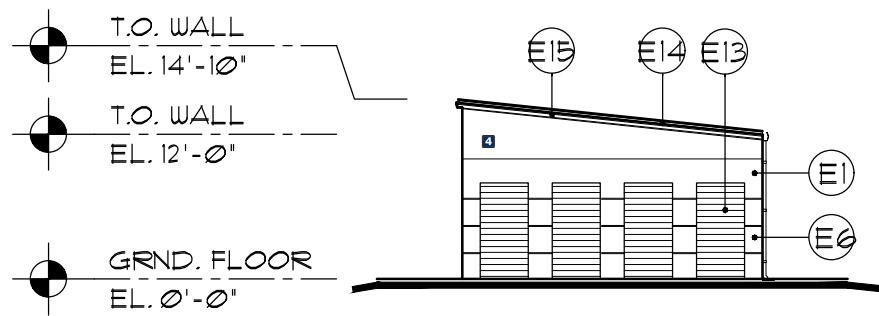
**B3 BUILDING 3 | WEST ELEVATION**  
SCALE: 1/16" = 1'



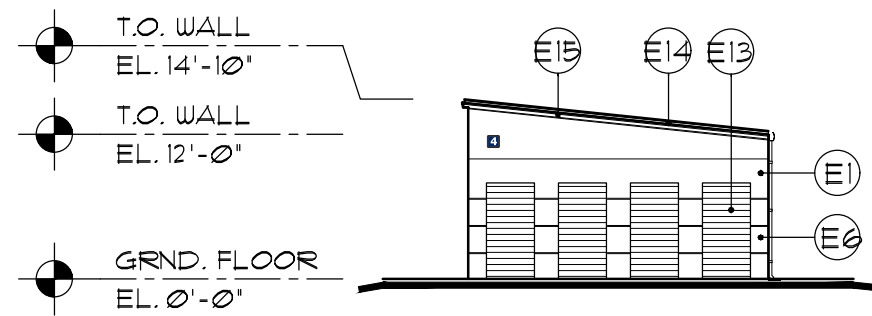
<p><b>DRAWING INFO</b></p> <p>Sales/Project MGR: Glen Designer: BB Design Time: 2hr Date: 04.26.21</p>	<p><b>CLIENT NAME</b></p> <p>Pinnacle Storage of Westlake</p>	<p><b>PROJECT</b></p> <p>Life Storage Westlake</p>	<p><b>CUSTOMER APPROVAL</b></p> <p>Please verify colors, spelling, and layout prior to signing:</p> <p>_____ Date _____</p>	<p><b>REVISIONS</b></p> <table border="1"> <thead> <tr> <th>Version</th> <th>Time</th> <th>Date</th> <th>Intls.</th> </tr> </thead> <tbody> <tr> <td>1</td> <td>30min</td> <td>4.29.21</td> <td>BB</td> </tr> <tr> <td>2</td> <td>1hr</td> <td>5.10.21</td> <td>BB</td> </tr> <tr> <td>3</td> <td>30min</td> <td>5.13.21</td> <td>BB</td> </tr> <tr> <td>4</td> <td>45min</td> <td>6.16.21</td> <td>BB</td> </tr> </tbody> </table>	Version	Time	Date	Intls.	1	30min	4.29.21	BB	2	1hr	5.10.21	BB	3	30min	5.13.21	BB	4	45min	6.16.21	BB
Version	Time	Date	Intls.																					
1	30min	4.29.21	BB																					
2	1hr	5.10.21	BB																					
3	30min	5.13.21	BB																					
4	45min	6.16.21	BB																					

\* Due to varying sizes of raw material, sizes may vary.

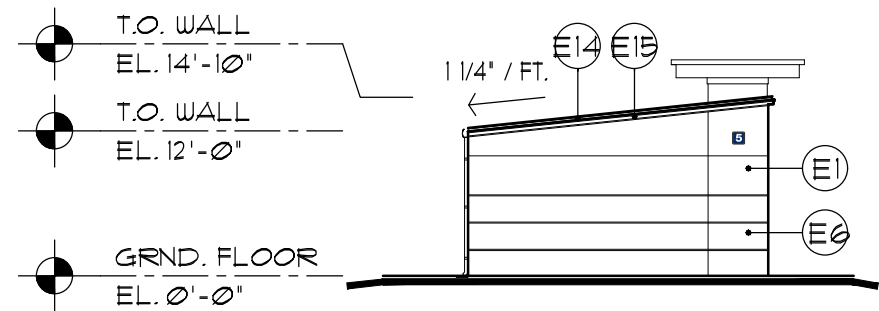
SHEET NO: **10**



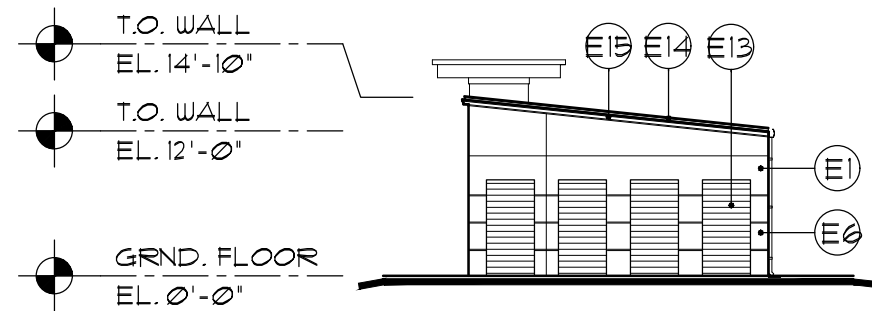
**B4 BUILDING 4 | EAST ELEVATION**  
SCALE: 1/16" = 1'



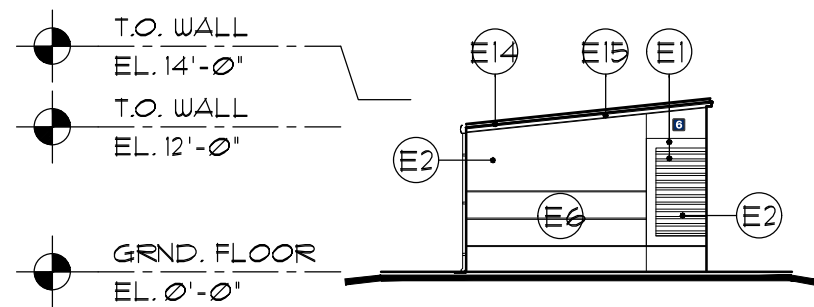
**B4 BUILDING 4 | WEST ELEVATION**  
SCALE: 1/16" = 1'



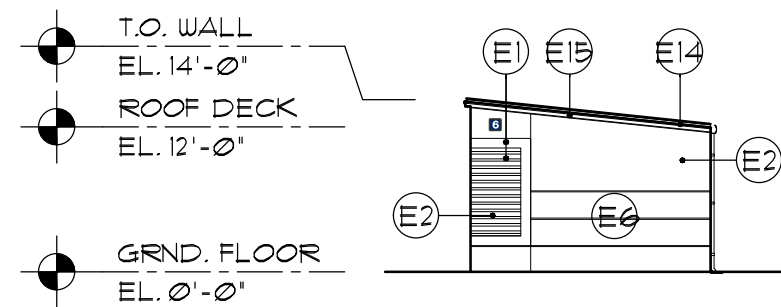
**B5 BUILDING 5 | EAST ELEVATION**  
SCALE: 1/16" = 1'



**B5 BUILDING 5 | WEST ELEVATION**  
SCALE: 1/16" = 1'



**B6 BUILDING 6 | EAST ELEVATION**  
SCALE: 1/16" = 1'



**B6 BUILDING 6 | WEST ELEVATION**  
SCALE: 1/16" = 1'



DRAWING INFO
Sales/Project MGR: Glen
Designer: BB Design Time: 2hr
Date: 04.26.21

CLIENT NAME
Pinnacle Storage of Westlake

PROJECT
Life Storage Westlake

CUSTOMER APPROVAL
Please verify colors, spelling, and layout prior to signing:
_____ Date _____

REVISIONS			
Version	Time	Date	Intls.
1	30min	4.29.21	BB
2	1hr	5.10.21	BB
3	30min	5.13.21	BB
4	45min	6.16.21	BB

\* Due to varying sizes of raw material, sizes may vary.  
SHEET NO: **11**

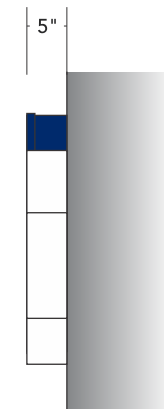
# Life Storage

## ST7 SECONDARY ID SIGN - Building 5

Face Illuminated Channel Letters



**ST7** FRONT VIEW | BUILDING 5  
SCALE: 1/2" = 1'



**ST7** END VIEW  
SCALE: 1/2" = 1'

### SPECIFICATIONS:

5" DEEP, FACE ILLUMINATED CHANNEL LETTERS AND LOGO, FLUSH MOUNTED TO WALL AND ILLUMINATED WITH SLOAN LED'S.

- 3/16" THICK LEXAN FACES WITH 1" TRIMCAP FOR ICON ARMS AND MIDDLE BOX.
- 3/4" THICK WHITE TRANSLUCENT ACRYLIC FOR LETTERS. ROUTED AND RECESSED 1/2".
- PROPOSED SQUARE FOOTAGE: 32.2 S.F.

- QTY.(1) SET.

### COLOR SCHEDULE:

- CHANNEL LETTERS RETURNS: PRE-FINISHED GLOSS WHITE
- ICON ARMS RETURN: WRISCO SUNOCO BLUE - TRIMCAP: JEWELITE BLUE
- ICON BOX RETURN: WRISCO CAUTION YELLOW - TRIMCAP: GEMINI 2540 MANGO YELLOW
- CHANNEL LETTERS VINYL COLOR: 3M 3630-157 PERFORATED SULTAN BLUE TRANSLUCENT VINYL
- ICON ARMS COLOR: 3M 3630-157 SULTAN BLUE
- ICON BOX LOGO: 3M 3630-025 TRANSLUCENT SUNFLOWER YELLOW
- LED'S COLOR: WHITE



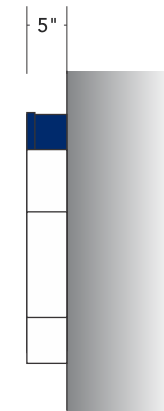
DRAWING INFO	CLIENT NAME	PROJECT	CUSTOMER APPROVAL	REVISIONS																				
Sales/Project MGR: Glen Designer: BB Design Time: 2hr Date: 04.26.21	Pinnacle Storage of Westlake	Life Storage Westlake	Please verify colors, spelling, and layout prior to signing:  _____ Date _____	<table border="1"> <thead> <tr> <th>Version</th> <th>Time</th> <th>Date</th> <th>Intls.</th> </tr> </thead> <tbody> <tr> <td>1</td> <td>30min</td> <td>4.29.21</td> <td>BB</td> </tr> <tr> <td>2</td> <td>1hr</td> <td>5.10.21</td> <td>BB</td> </tr> <tr> <td>3</td> <td>30min</td> <td>5.13.21</td> <td>BB</td> </tr> <tr> <td>4</td> <td>45min</td> <td>6.16.21</td> <td>BB</td> </tr> </tbody> </table>	Version	Time	Date	Intls.	1	30min	4.29.21	BB	2	1hr	5.10.21	BB	3	30min	5.13.21	BB	4	45min	6.16.21	BB
Version	Time	Date	Intls.																					
1	30min	4.29.21	BB																					
2	1hr	5.10.21	BB																					
3	30min	5.13.21	BB																					
4	45min	6.16.21	BB																					

\* Due to varying sizes of raw material, sizes may vary.  
SHEET NO: **12**

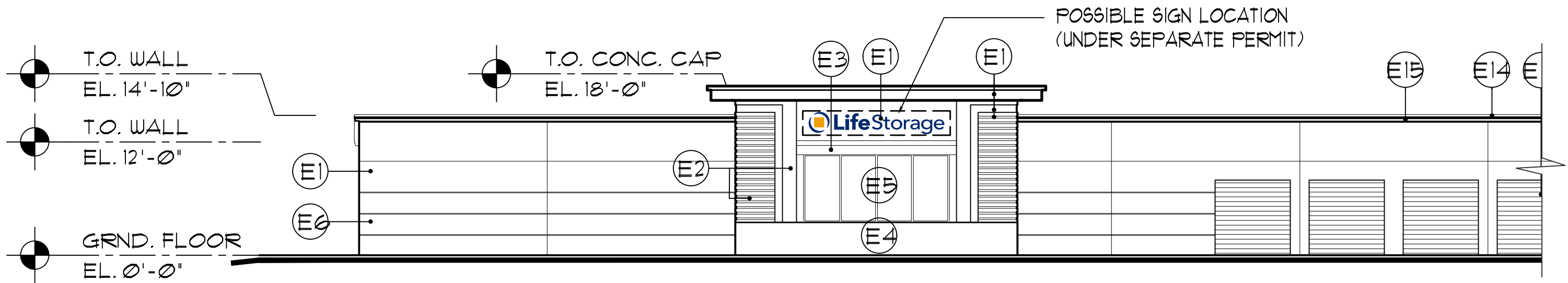




**ST7** FRONT VIEW | BUILDING 5  
SCALE: 1/2" = 1'



**ST7** END VIEW  
SCALE: 1/2" = 1'



**ST7** BUILDING 5 | NORTH ELEVATION  
SCALE: 3/32" = 1'



DRAWING INFO
Sales/Project MGR: Glen Designer: BB Design Time: 2hr Date: 04.26.21

CLIENT NAME
Pinnacle Storage of Westlake

PROJECT
Life Storage Westlake

CUSTOMER APPROVAL
Please verify colors, spelling, and layout prior to signing: _____ Date _____

REVISIONS			
Version	Time	Date	Intls.
1	30min	4.29.21	BB
2	1hr	5.10.21	BB
3	30min	5.13.21	BB
4	45min	6.16.21	BB

\* Due to varying sizes of raw material, sizes may vary.  
SHEET NO: **13**