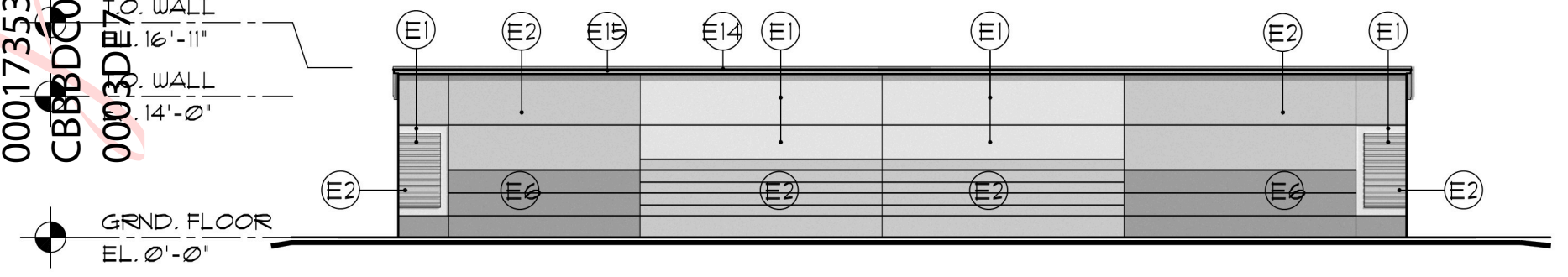


Digitally signed
 by Kenneth R
 Carlson:AO109
 01094E00
 00017353 DE7
 4E000007353
 CBBDDC
 0003DE7
 Date: 2021.04.19
 16:03:25 -0400



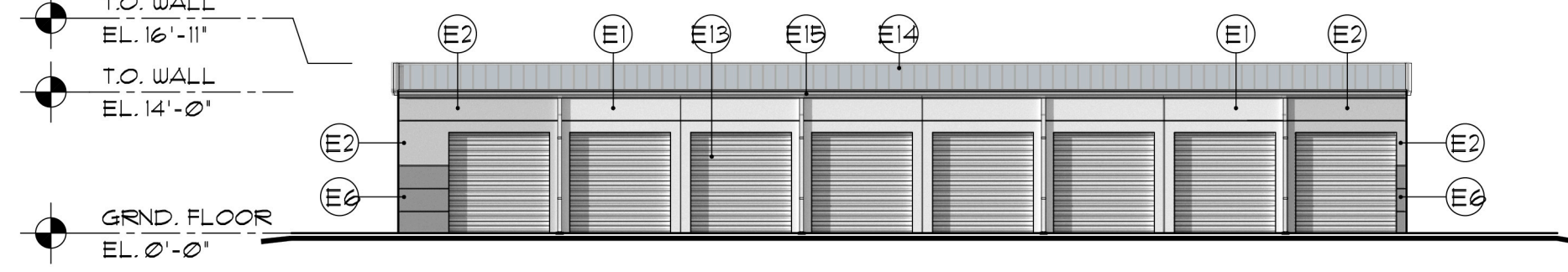
1 BUILDING 3 - SOUTH ELEVATION
 A5.5 1/16"=1'-0"



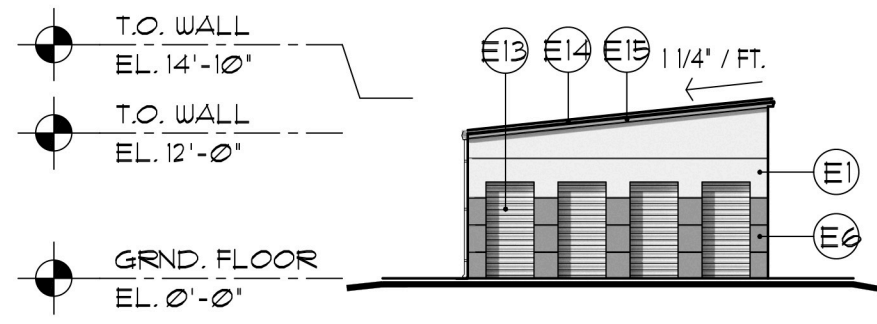
9 BUILDING 7 - EAST ELEVATION
 A5.5 1/16"=1'-0"



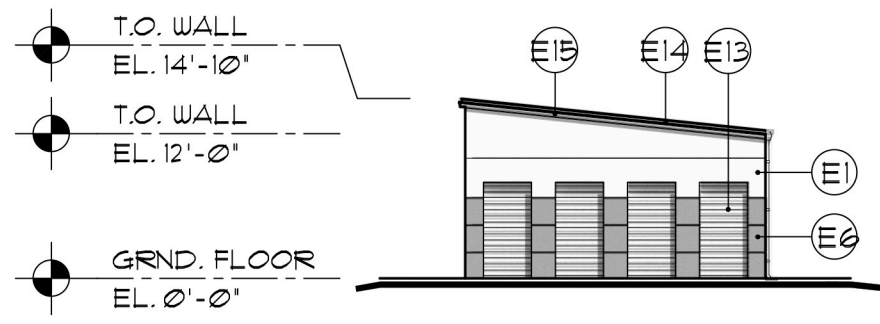
2 BUILDING 3 - NORTH ELEVATION
 A5.5 1/16"=1'-0"



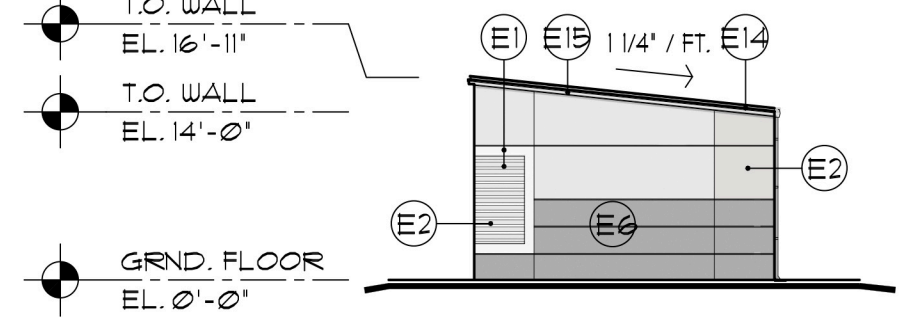
10 BUILDING 7 - WEST ELEVATION
 A5.5 1/16"=1'-0"



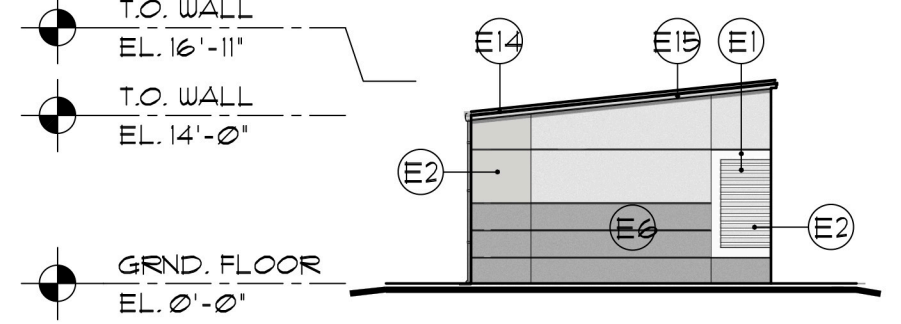
3 BUILDING 3 - EAST ELEVATION
 A5.5 1/16"=1'-0"



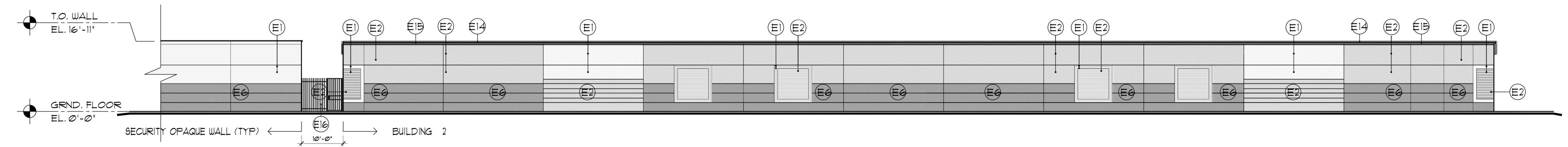
4 BUILDING 3 - WEST ELEVATION
 A5.5 1/16"=1'-0"



11 BUILDING 7 - NORTH ELEVATION
 A5.5 1/16"=1'-0"



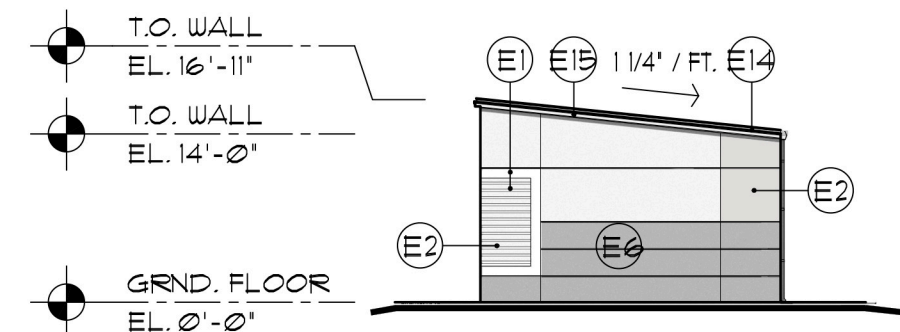
12 BUILDING 7 - SOUTH ELEVATION
 A5.5 1/16"=1'-0"



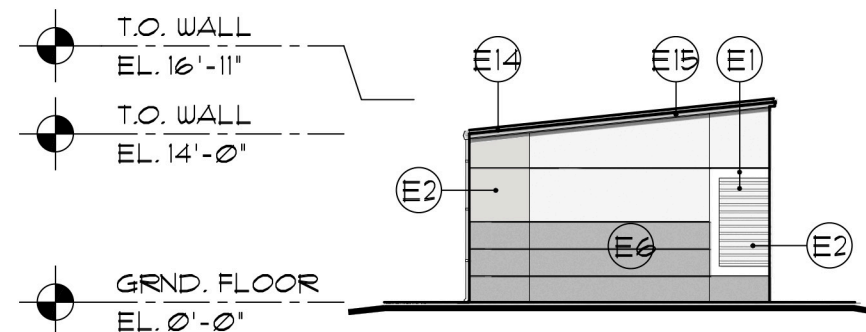
5 BUILDING 2 - SOUTH ELEVATION
 A5.5 1/16"=1'-0"



6 BUILDING 2 - NORTH ELEVATION
 A5.5 1/16"=1'-0"



7 BUILDING 2 - EAST ELEVATION
 A5.5 1/16"=1'-0"



8 BUILDING 2 - WEST ELEVATION
 A5.5 1/16"=1'-0"

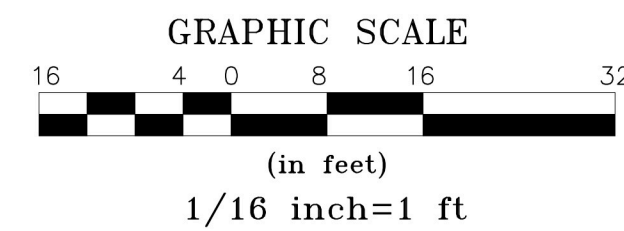
WESTLAKE SELF STORAGE
 4003 Semicole Pratt Whitney Rd
 Loxahatchee, FL 33470

KENNETH R. CARLSON - ARCHITECT, P.A.
 1166 W. NEWPORT CENTER DR., SUITE #311
 DEERFIELD BEACH, FLORIDA 33442
 P.H. (954) 421 - 8848
 AA C02018
 FAX (954) 421 - 9929
 e-mail: krc@krcarlson.com

Revisions:

DRAWN BY: FS
 CHECKED BY: KSC
 DATE: 03/09/2021
 SCALE: AS NOTED
 PROJECT #: 21021
 CAD DWG FILE: A5.2

KENNETH R. CARLSON
 AR12546



SHEET OF
A5.5
 PAGE OF