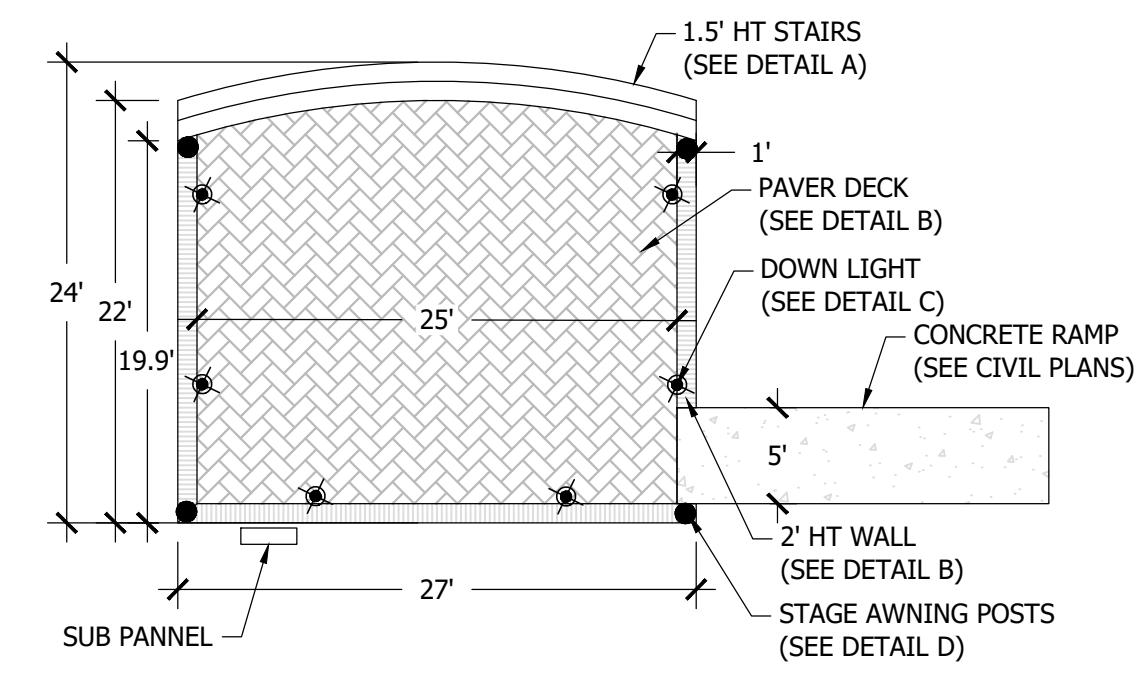
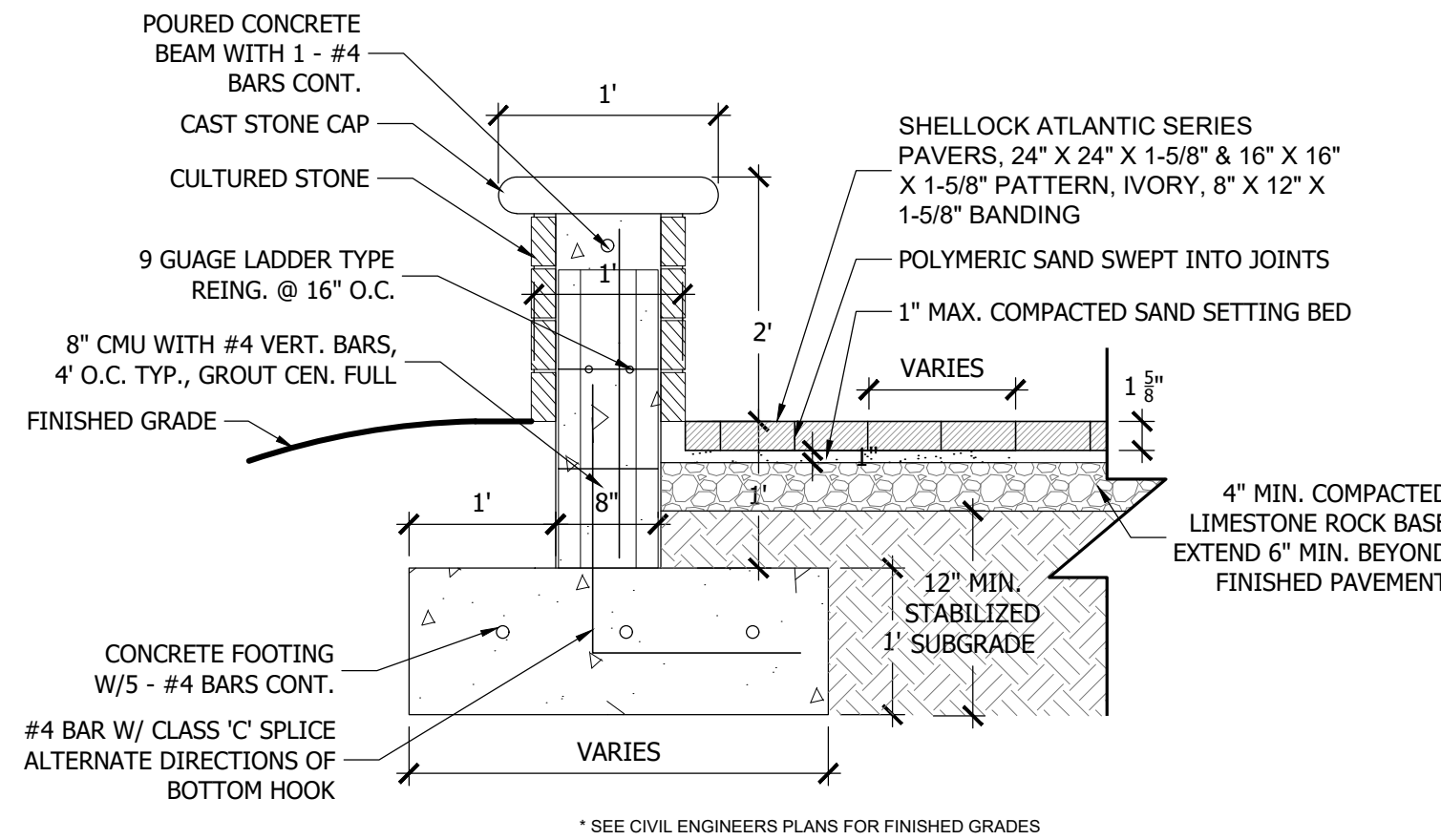


STAGE DETAILS



DECK LAYOUT

1" = 10'-0"

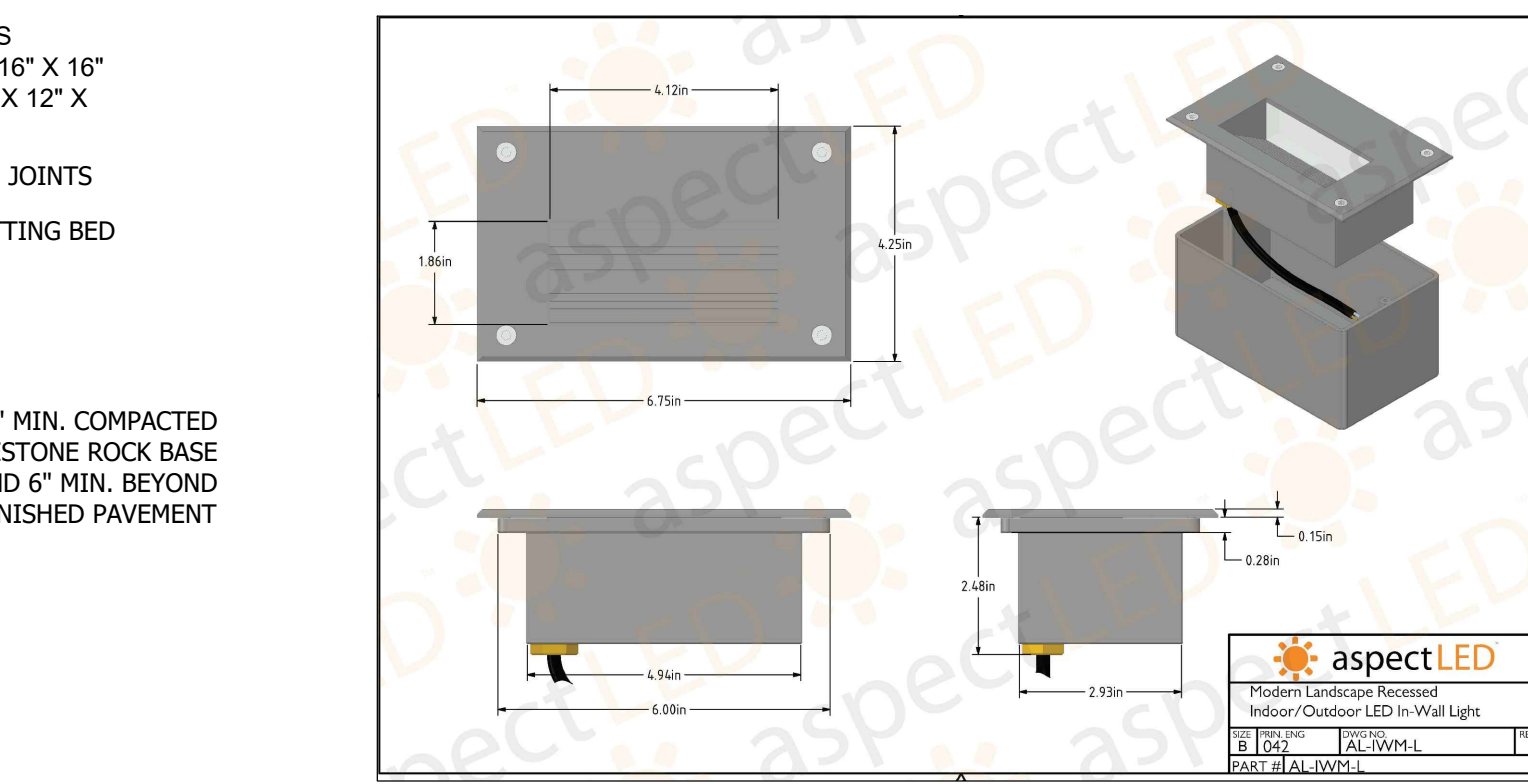


PAVER DECK & WALL DETAIL

NTS

STAIR DETAIL

NTS



DOWN LIGHT DETAIL

NTS

Modern Horizontal Landscape Recessed Indoor/Outdoor LED In-Wall Stair Step Light

Built for you in 10-15 business days
SKU: AL-IWM-L

As low as **\$49.99**

MOUNTING SLEEVE: NO YES

LED LIGHT COLOR: W B R G

VOLTAGE: 12VDC 24VDC 120VAC

WIRE LEAD LENGTH: 2 Feet
 2 FEET 25 FEET 50 FEET 100 FEET

DOWN LIGHT PRODUCT INFORMATION

NTS



NOTE:
CUSTOM STAGE AWNING
DESIGN BY HOOVER CANVAS.

STAGE AWNING DETAIL

NTS

POOLSIDE CABANA DETAIL

NTS



BOCCE / HORSESHOE COURTS SHADE STRUCTURE

NTS



ULTRA SHADE T-CANTILEVER SHADE
SIZE: 8' X 10', 8' EAVE
FABRIC COLOR: SILVER
FRAME: JET BLACK POWDER COAT
WWW.SHADEANDSHELTERS.COM
ULTRASHADE 1-800-458-5872

DOG WATER FOUNTAIN DETAIL

NTS



COLOR TO BE ONYX (BLACK) EG-07

The Bi-Level Fountain with Pet Bowl offers durable, barrier-free accessibility. Manufactured with an 18 gauge, 304 stainless steel bowl mounted into a welded 12 gauge stainless steel pedestal and is available with 15 color options. The unit is activated by self-closing buttons requiring less than five pounds of force to operate and features an adjustable stream regulator to control the water flow. The unit operates on water pressure range of 20-105 psig. Fountain is certified to ANSI A117.1, Public Law 111-380 (No Lead), CHSC, 116875, NSF/ANSI 61, Section 9. Fixture meets ADA, ADA Standing Person, and ADA Child requirements when mounted appropriately.



7212 BI-LEVEL FOUNTAIN WITH PET BOWL

All 12 gauge stainless steel construction - resistant to sunlight, moisture, heat and wear

Certified Lead Free

Standard vandal resistant mounting plate and hardware

Optional freeze resistant valves or hose bibb

PET WASTE STATION DETAIL

NTS



COLOR TO BE ONYX (BLACK) EG-07

The Complete Dog Waste Station offers a dispenser, 11-gallon waste receptacle, a heavy duty, powdered coated steel post, 400 roll bags, 50 can liners, two keys and a sign. The dispenser and sign are screen printed for durability and the locks are keyed alike for easy maintenance and refills.



7408R COMPLETE DOG WASTE STATION - ROLL BAG

Commercial grade, powder coated aluminum dispenser, sign and receptacle

Color Options: Green or Black

Square or Round 11 gallon receptacle

Dimensions: 72"H x 11.25"W

DOG PARK SHADE STRUCTURE

NTS



ULTRA SHADE CUSTOM 6-POST SAIL
SIZE: 17' X 24'
FABRIC COLOR: SILVER
FRAME: JET BLACK POWDER COAT
WWW.SHADEANDSHELTERS.COM
ULTRASHADE 1-800-458-5872

TENNIS / PICKLEBALL COURTS SHADE STRUCTURE

NTS



ULTRA SHADE CANTILEVER SHADE
SIZE: 12' X 22', 10' EAVE
FABRIC COLOR: SILVER
FRAME: JET BLACK POWDER COAT
WWW.SHADEANDSHELTERS.COM
ULTRASHADE 1-800-458-5872

DOG WASH STATION

NTS



COLOR TO BE ONYX (BLACK) EG-07

Dirty dogs are no match for this convenient dog wash station. Featuring a hose hook (hose furnished by end user) and dual 3/4 inch hose connections with vacuum breakers, the station also offers adjustable metering control valves to time water flow from 5-60 seconds. With all stainless steel construction plus 15 powder coat colors to choose from, this station is ideal for public parks, apartment communities and other pet-friendly spaces.



7220 DUAL DOG WASH STATION

Adjustable metering control valves

All stainless steel construction and vandal resistant access panel

Easy pushbutton use requiring less than 5 lbs of force to operate

Dimensions: 32"H

DOG PARK RULES SIGN

NTS

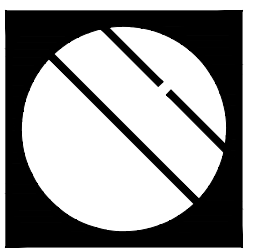
Dog Park RULES

- Use the park at your own risk.
- All Dogs Must Have Current Rabies And Vaccines Required by Law And Wear Collar With Tags
- Aggressive behavior is not allowed.
- All Dogs Must Be Leashed When Entering And Exiting The Dog Park.
- Owners Must Remain In The Park With Their Dogs At All Times.
- Owners must clean up dog waste IMMEDIATELY. Utilize the doggie waste stations throughout the park.
- Dog handlers must be at least 16 years of age.
- Children must be accompanied by an adult and supervised at all time.
- Dog Toys such as balls and Frisbees are acceptable. (No ropes, tug toys, squeaky toys or rawhides)

PROHIBITED:
HUMAN & DOG FOOD TRAYS & TRUCKS IN PLASTIC - BIKER DOGS
GLASS CONTAINERS - NO PUPPIES UNDER 4 MONTHS

DOG RULES SIGN TO BE CUSTOM 'DOG-ON-IT-PARKS' SIGN
SIZE TO BE 18" X 18"
SIGN FRAME IS MANUFACTURED WITH HEAVY-GAUGE ALUMINUM PIPE, WHICH FEATURES A BAKED-ON POWDER COAT FINISH FOR MAXIMUM RESISTANCE TO CORROSION
SUPER STRONG FIBERGLASS PANEL IS IMPREGNATED DIRECTLY WITH PHOTO QUALITY GRAPHICS AND TEXT. FEATURES FULL-COLOR, UV-STABLE GRAPHICS
ALL HARDWARE IS VANDAL-RESISTANT STAINLESS STEEL
SOME ASSEMBLY REQUIRED

SITE DETAILS



Cotleur & Hearing

Landscape Architects
Land Planners
Environmental Consultants
1934 Commerce Lane
Suite 1
Jupiter, Florida 33458
561.747.6336 · Fax 747.1377
www.cotleurhearing.com
Lic# LC-C000239

WESTLAKE - POD P
AMENITY CENTER
PALM BEACH COUNTY, FL

DESIGNED	LAH
DRAWN	JAE
APPROVED	DEH
JOB NUMBER	18-1002
DATE	04-13-20
REVISIONS	05-11-20
	06-01-20
	06-15-20

June 15, 2020 4:11:48 p.m.
Drawing: 181002 CLUBHOUSE SD.DWG

SHEET 3 OF 3

© COTLEUR & HEARING, INC.
These drawings are the property of the architect and are not to be used for extensions or on other projects except by agreement in writing with the architect. Immediately report any discrepancies to the architect.