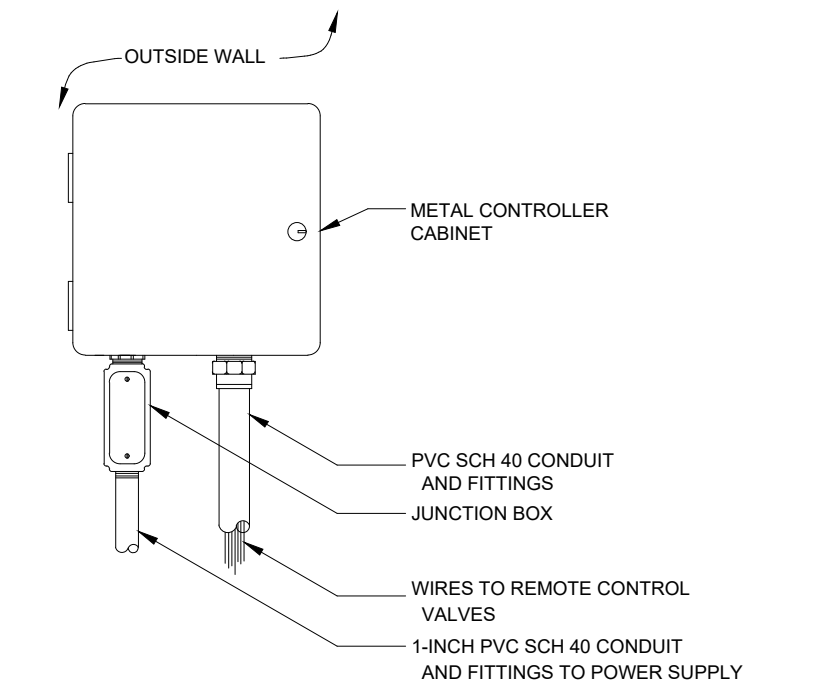
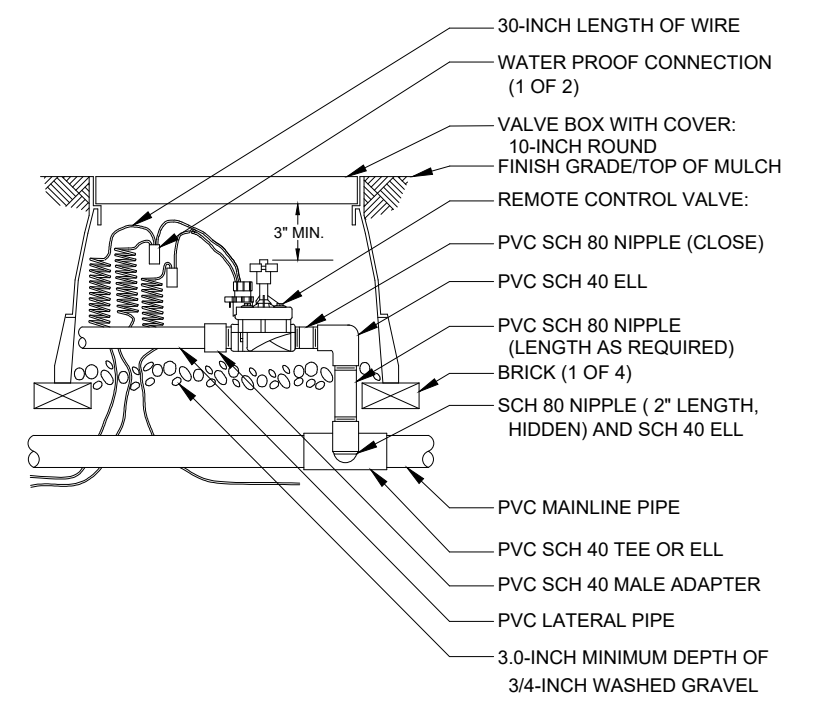


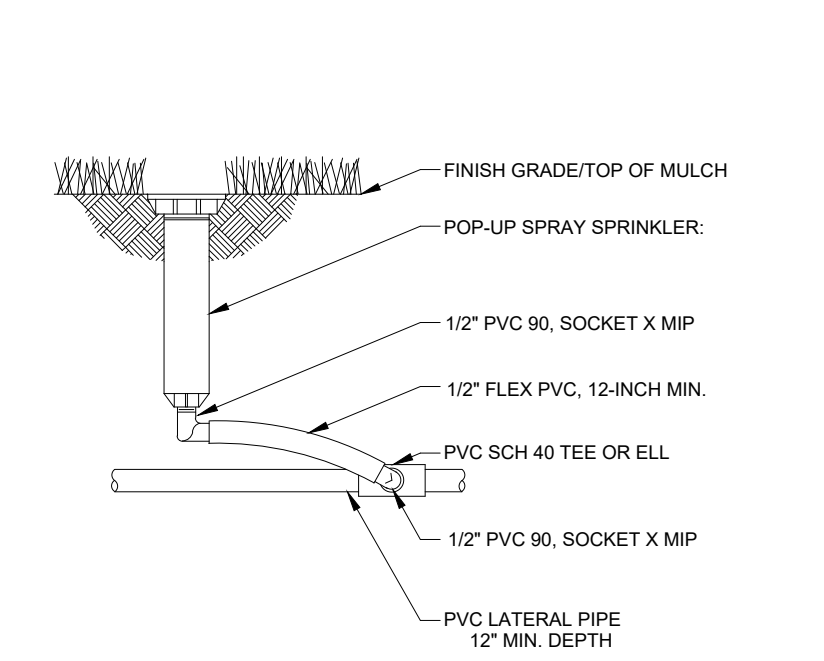
CONTROL ZONE KIT N.T.S.



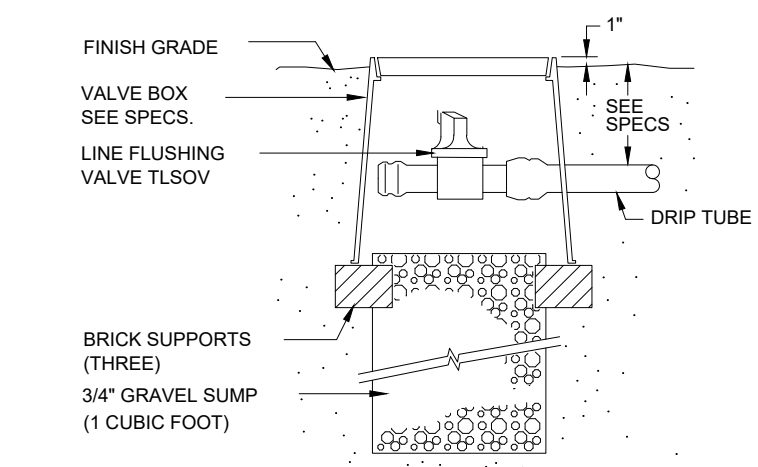
WALL MOUNT CONTROLLER N.T.S.



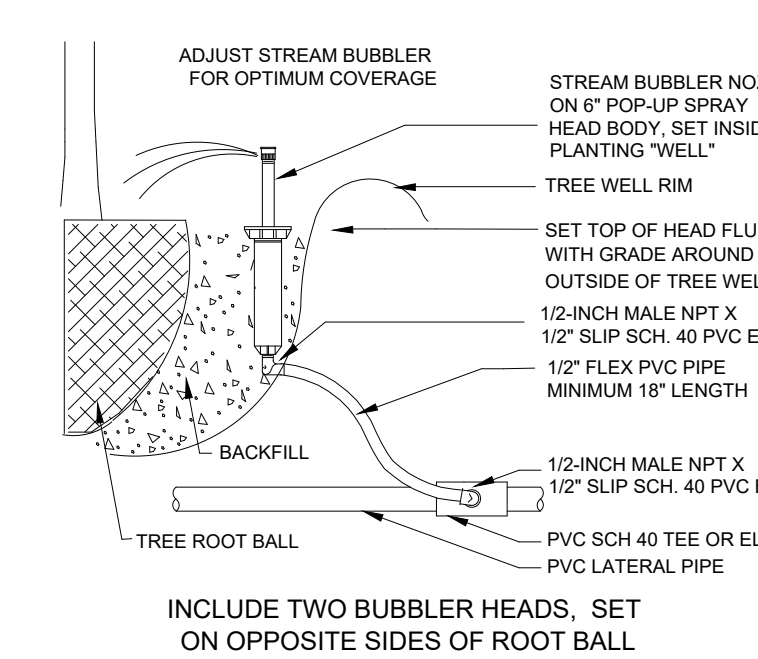
REMOTE CONTROL VALVE N.T.S.



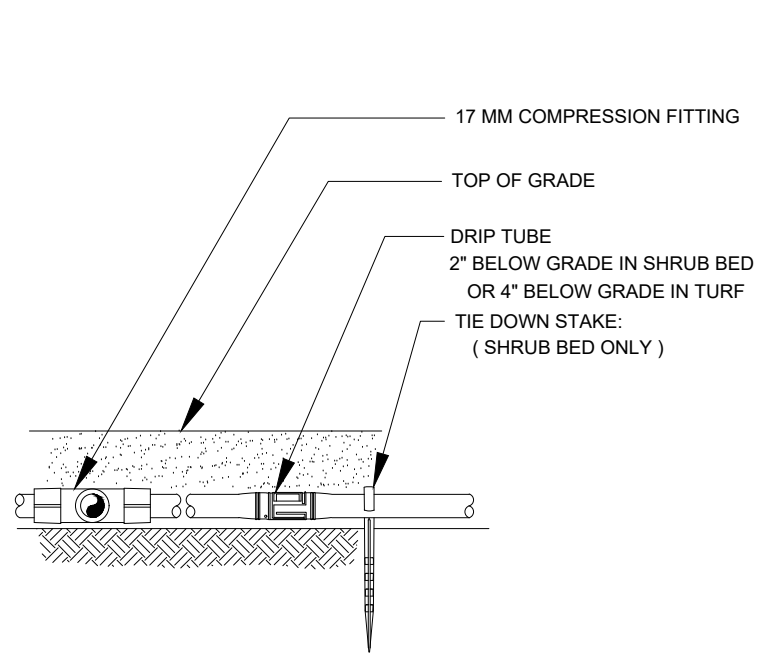
POP-UP SPRAY HEAD N.T.S.



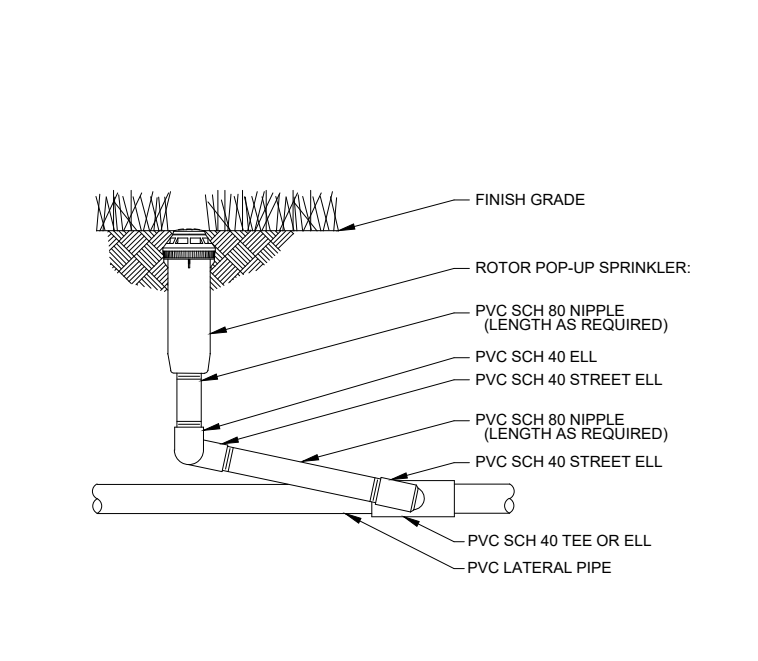
MANUAL LINE FLUSH VALVE N.T.S.



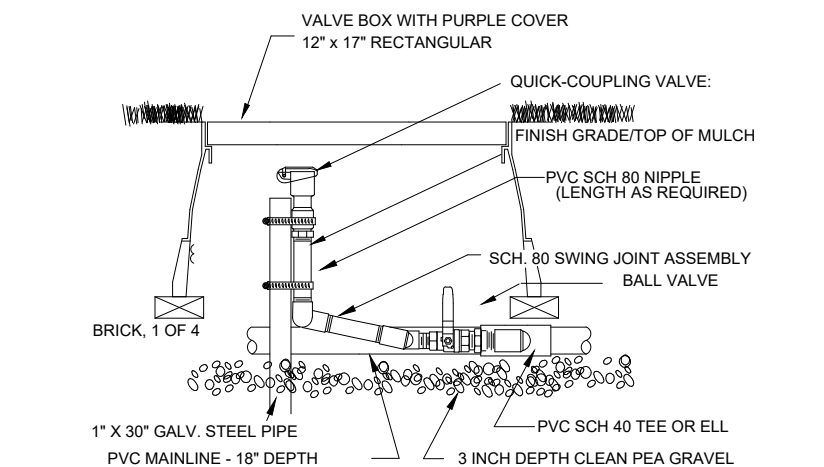
TREE BUBBLER N.T.S.



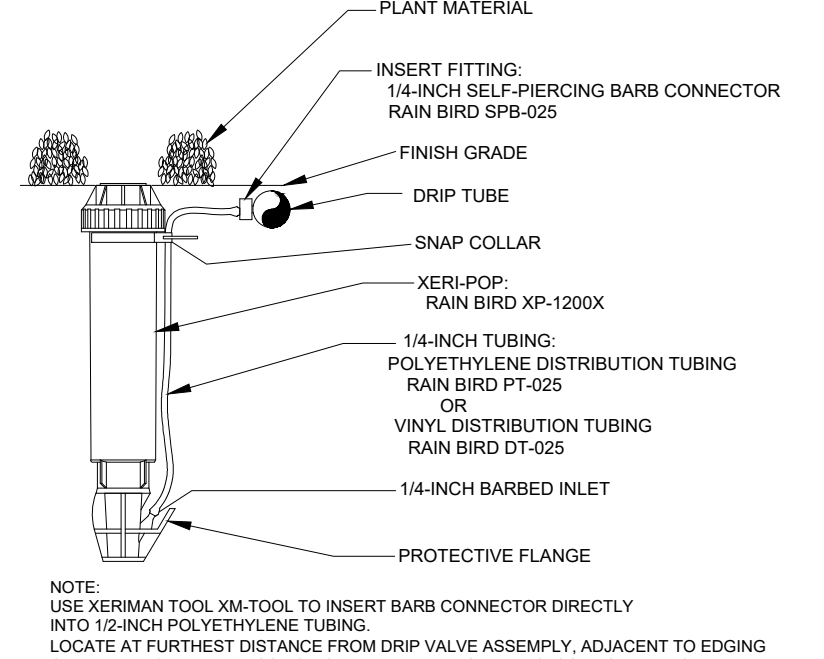
DRIP TUBE N.T.S.



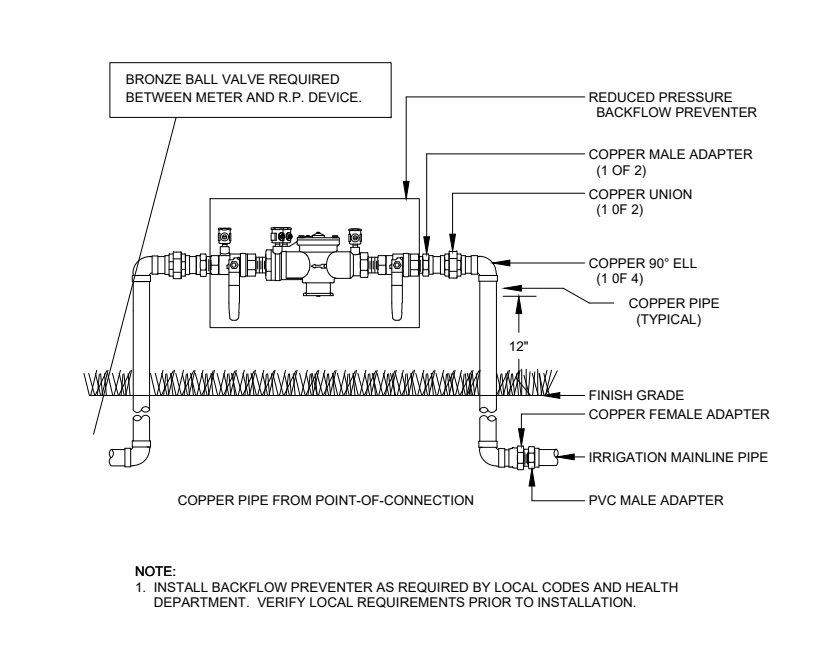
ROTOR POP-UP SPRINKLER N.T.S.



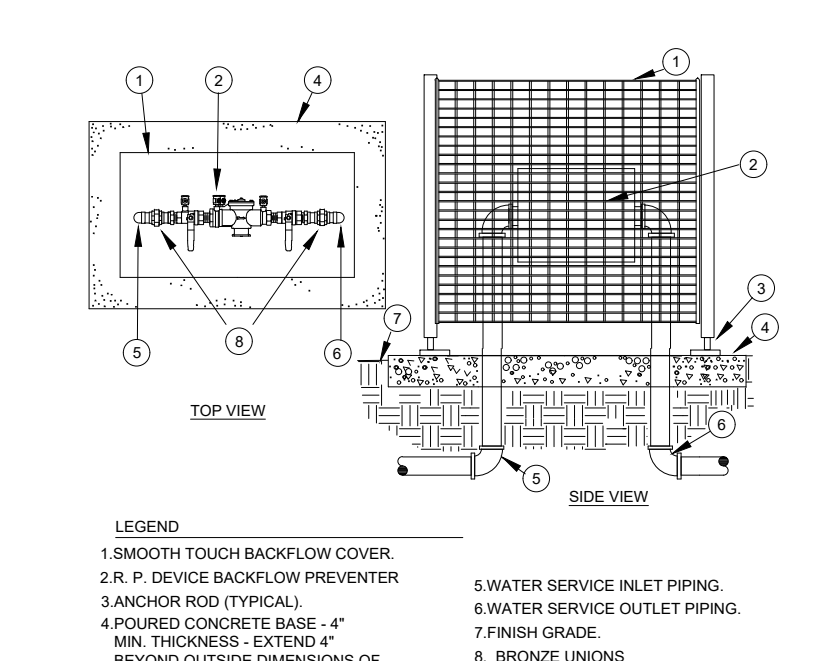
QUICK COUPLER VALVE WITH PVC BALL VALVE N.T.S.



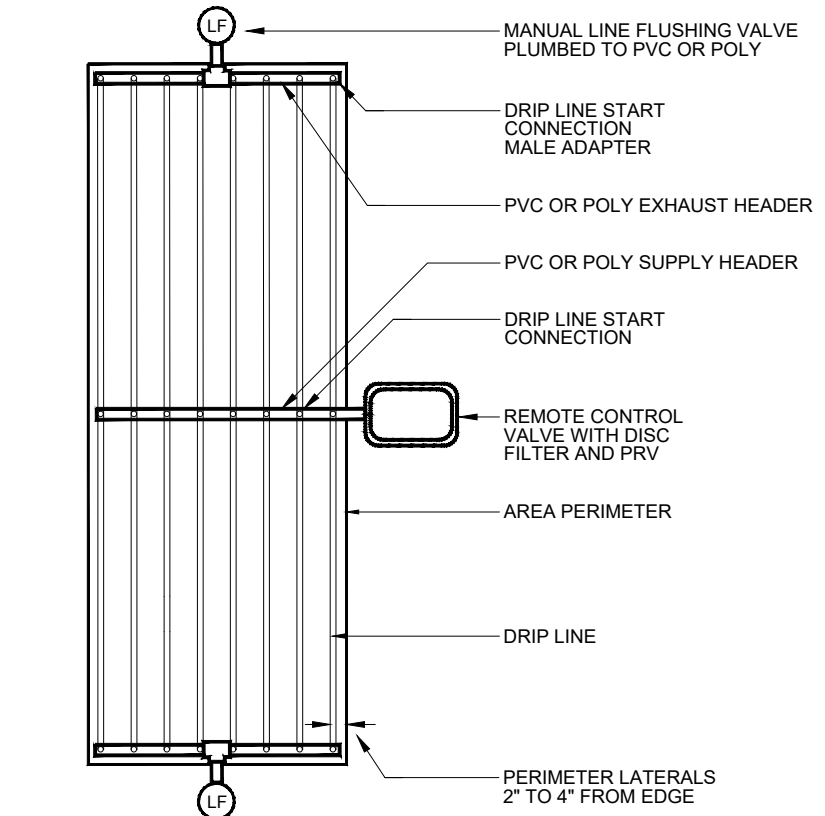
DRIP ZONE INDICATOR N.T.S.



RP DEVICE N.T.S.

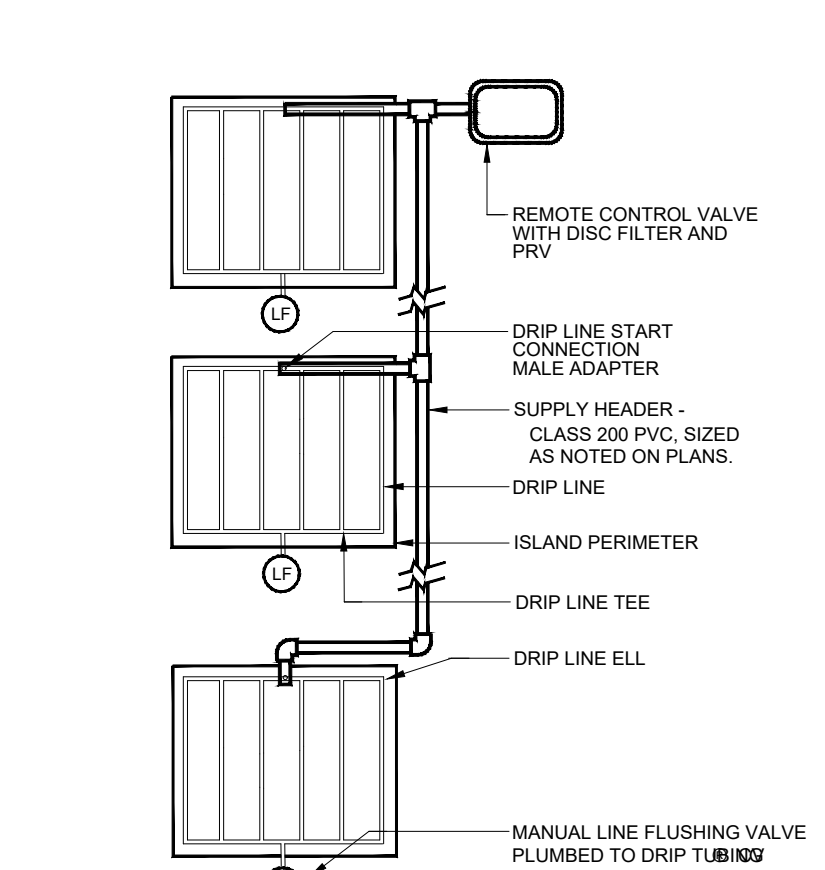


RP DEVICE WITH ENCLOSURE N.T.S.



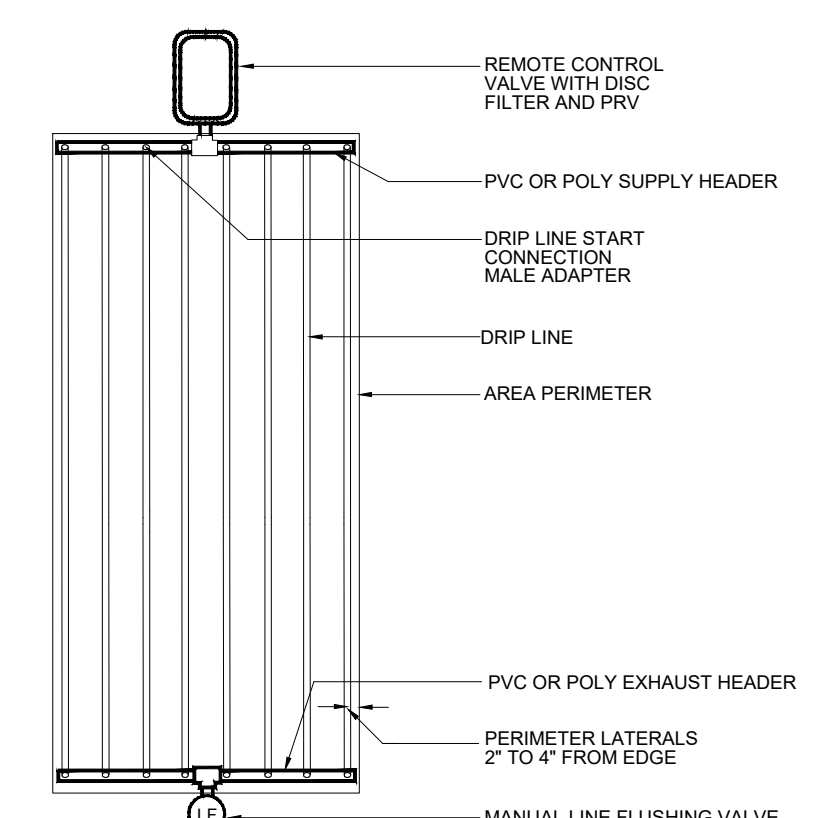
SUPPLY AND EXHAUST HEADERS SHALL BE CLASS 200 PVC PIPE, OF THE SAME DIAMETER AS THE ZONE VALVE SIZE. USE DRIP TUBE FOR SUPPLY AND EXHAUST HEADERS ON GRIDS WITH FLOW SMALLER THAN 5 GPM ONLY.

DRIP CENTER FEED LAYOUT N.T.S.



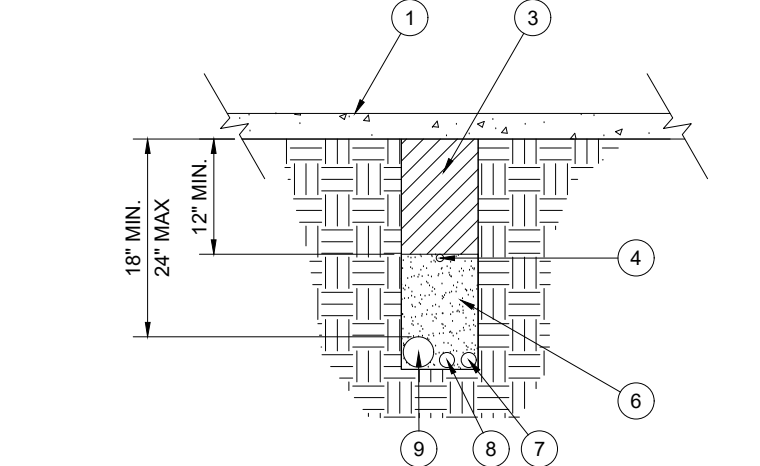
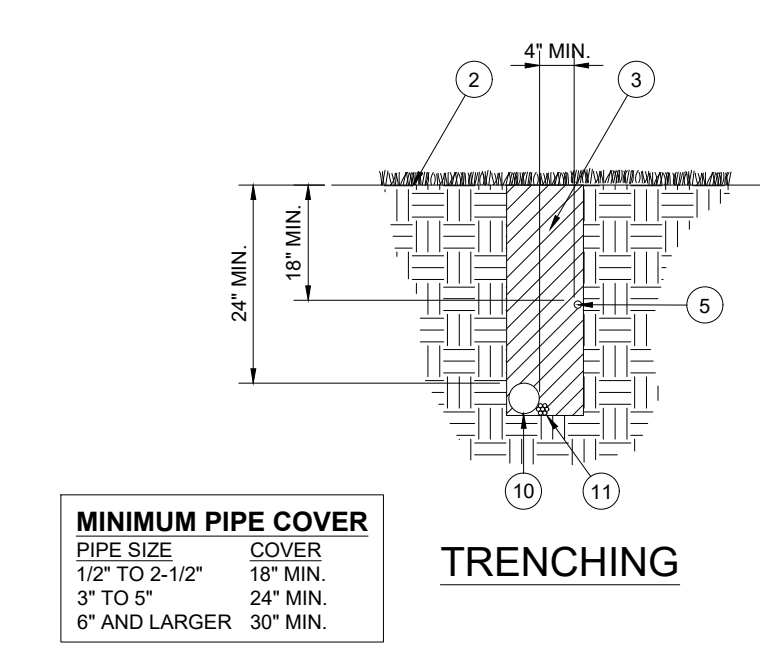
USE DRIP TUBE FOR SUPPLY AND EXHAUST HEADERS ON GRIDS WITH FLOW SMALLER THAN 5 GPM ONLY.

DRIP ISLAND LAYOUT N.T.S.

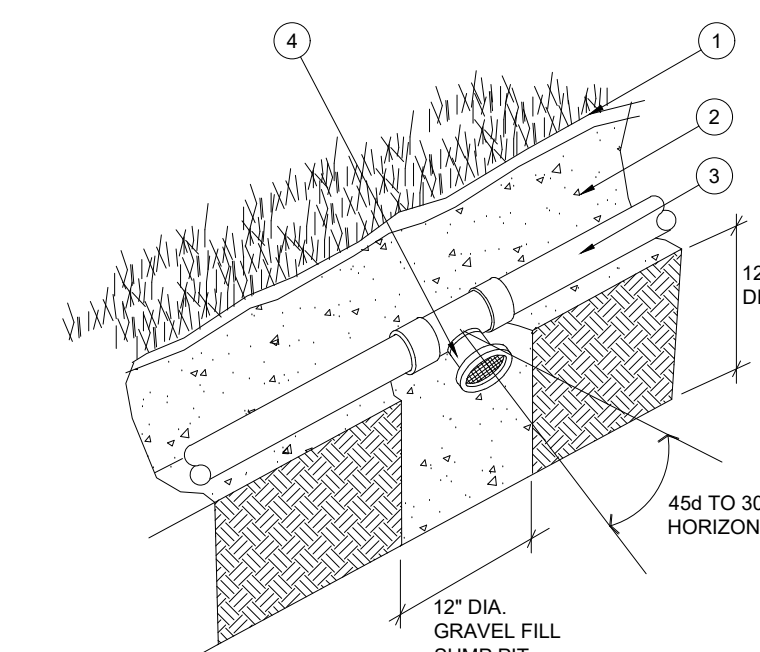


SUPPLY AND EXHAUST HEADERS SHALL BE CLASS 200 PVC PIPE, OF THE SAME DIAMETER AS THE ZONE VALVE SIZE. USE DRIP TUBE FOR SUPPLY AND EXHAUST HEADERS ON GRIDS WITH FLOW SMALLER THAN 5 GPM ONLY.

DRIP END FEED LAYOUT N.T.S.

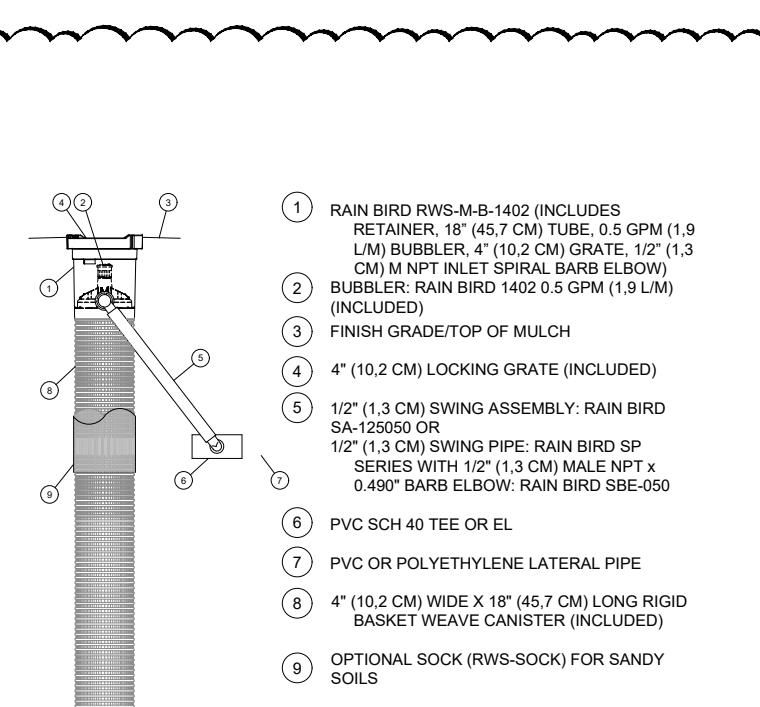


PIPE AND SLEEVE INSTALLATION N.T.S.

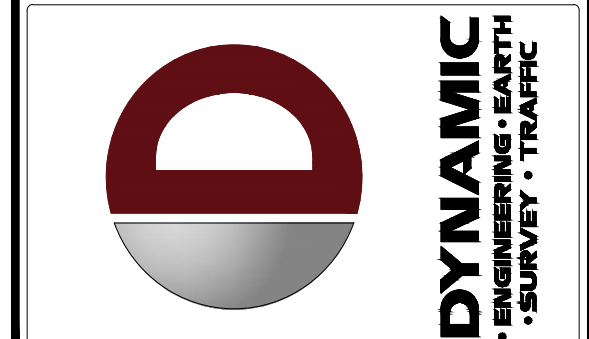


NOTE: AUTOMATIC VALVES ARE TO BE LOCATED AT LOW POINTS OF LATERAL LINES. LOCATE END DRAIN VALVE 12" UPSTREAM FROM LAST HEAD.

AUTOMATIC DRAIN VALVE N.T.S.



ROOT WATERING SYSTEM N.T.S.



REV.	DATE	COMMENTS	BY
1	03/27/24	Agency Comments	
2	04/12/24	Agency Comments	

THIS PLAN SET IS FOR PERMITTING PURPOSES ONLY AND MAY NOT BE USED FOR CONSTRUCTION
 DESIGNED BY: J.M.
 CHECKED BY: M.B.
 PROJECT: HIX SNEDEKER COMPANIES, LLC
 Prop. Retail Sales & Services Establishment
 PERSIMON BLVD & SEMINOLE PRATT WHITNEY RD
 WESTLAKE, PALM BEACH COUNTY, FLORIDA

DYNAMIC ENGINEERING
 LAND DEVELOPMENT CONSULTING • PERMITTING
 GEOTECHNICAL • ENVIRONMENTAL
 TRAFFIC • SURVEY • PLANNING & ZONING
 100 NE 5th Avenue Suite B2
 Delray Beach, FL 33483
 T: 451.921.8570
 Offices conveniently located at:
 LAKE CHARLES, NEW JERSEY • 1.752.975.0111
 CHESTER, NEW JERSEY • 1.866.879.9229
 MANALAPAN, NEW JERSEY • 1.866.534.2020
 NEWARK, NEW JERSEY • 1.973.752.7200
 TOWNSHIP, NEW JERSEY • 1.732.752.4178
 NEWTON, PENNSYLVANIA • 1.247.653.0275
 PHOENIX, ARIZONA • 1.602.950.6868
 BERKELEY, CALIFORNIA • 1.415.288.4402
 AUSTIN, TEXAS • 1.737.256.2700
 ALBUQUERQUE, NEW MEXICO • 1.505.248.2548
 DENVER, COLORADO • 1.303.497.8150
 ANAPOLIS, MARYLAND • 410.542.5000
 Florida Certificate of Authorization No. 25333
 www.dynamiccec.com

Digitally signed by Mary N Bates
 Reason: L6666711
 State of Florida
 Date: 2024.04.17
 00:08:01 -06'00'

811 PROTECT YOURSELF
 ALL STATES REQUIRE NOTIFICATION OF DIGITATORS, DESIGNERS, OR ANY PERSON PREPARING TO DISTURB THE EARTH'S SURFACE ANYWHERE IN ANY STATE
 FOR STATE SPECIFIC DIRECT PHONE NUMBERS VISIT: WWW.CALL811.COM

IRRIGATION DETAILS

SCALE: (H) DATE: 02/08/2024
 (V)
 PROJECT No: 2451-23-04281

SHEET No: LI-2
 Rev. #:

EVERGREEN DESIGN GROUP
 (800) 680-6630
 2255 Glades Rd, Suite 324A
 Boca Raton, FL 33431
 www.EvergreenDesignGroup.com
 LA #6666710