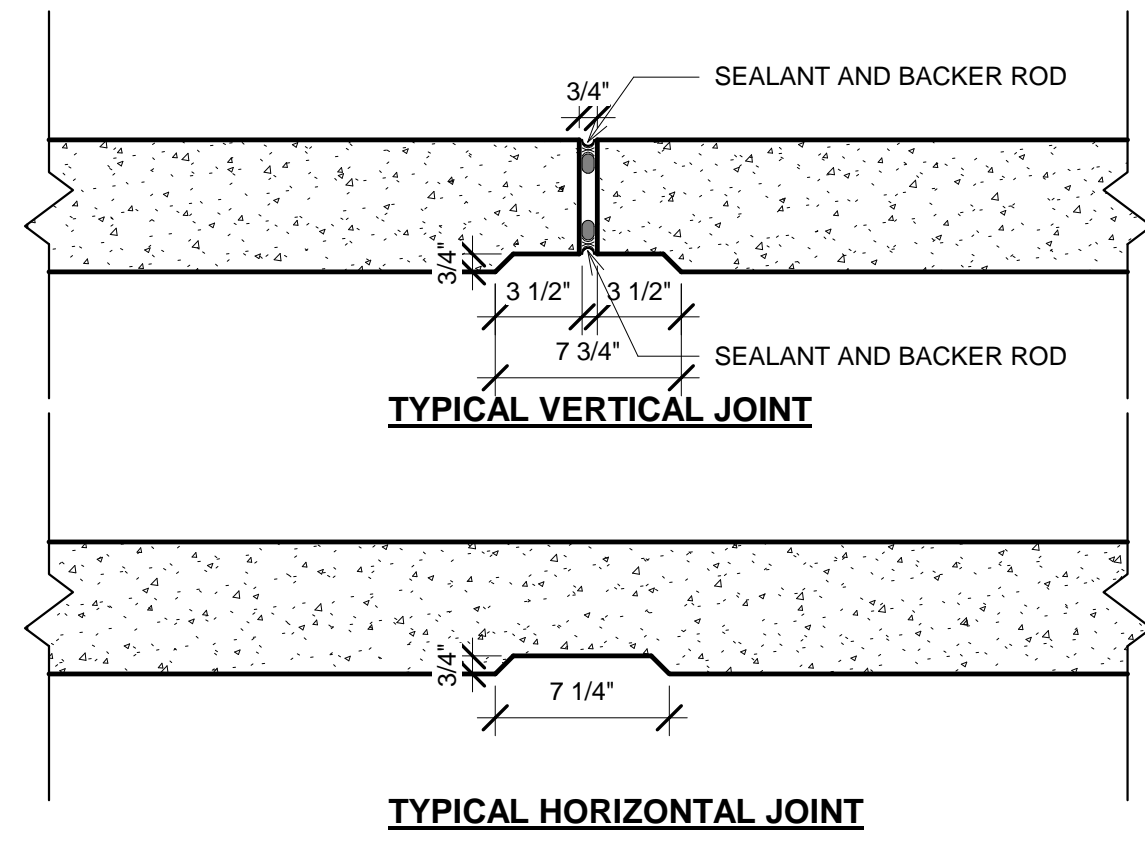
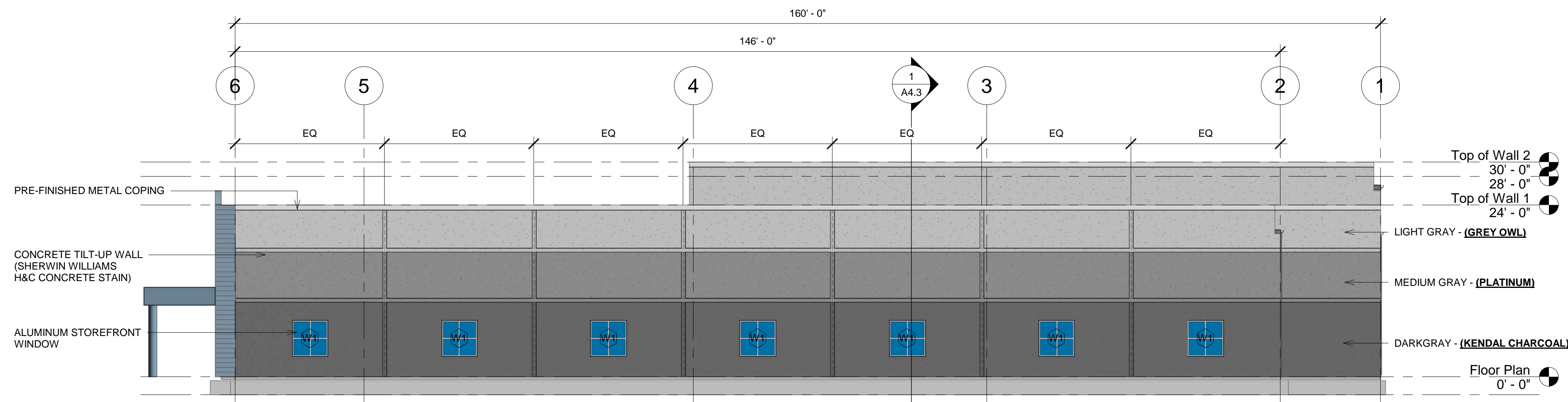


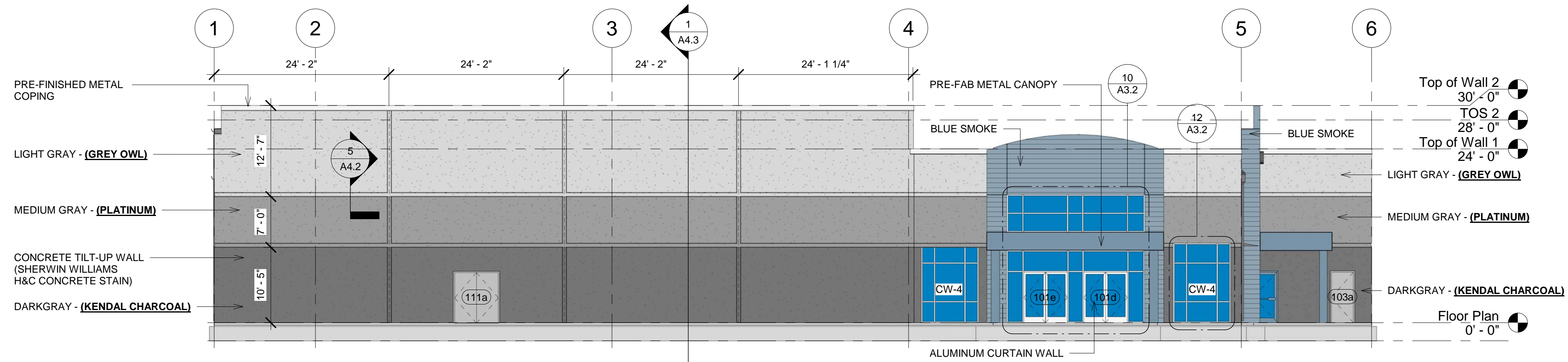
Previously Approved



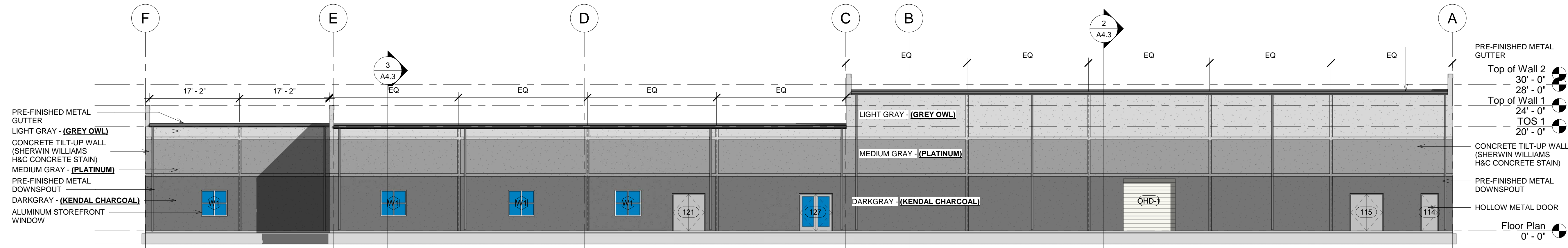
5 Concrete Tilt-Up Reveal
 1 1/2" = 1'-0"



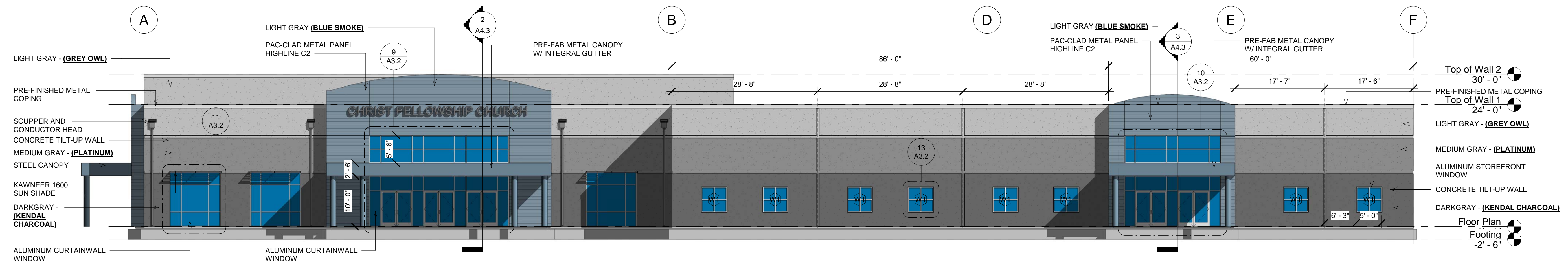
4 Elevation - Side 2
 3/32" = 1'-0"



3 Elevation - Side 1
 3/32" = 1'-0"



2 Elevation - Back
 3/32" = 1'-0"



1 Elevation - Front
 3/32" = 1'-0"

NOT FOR CONSTRUCTION

No.	Description	Date
Christ Fellowship Church Client Name New 800 Seat Campus Project Address Westlake, Florida Project Number 19-08 Date 09-27-19 Exterior Elevations		
A4.2		