



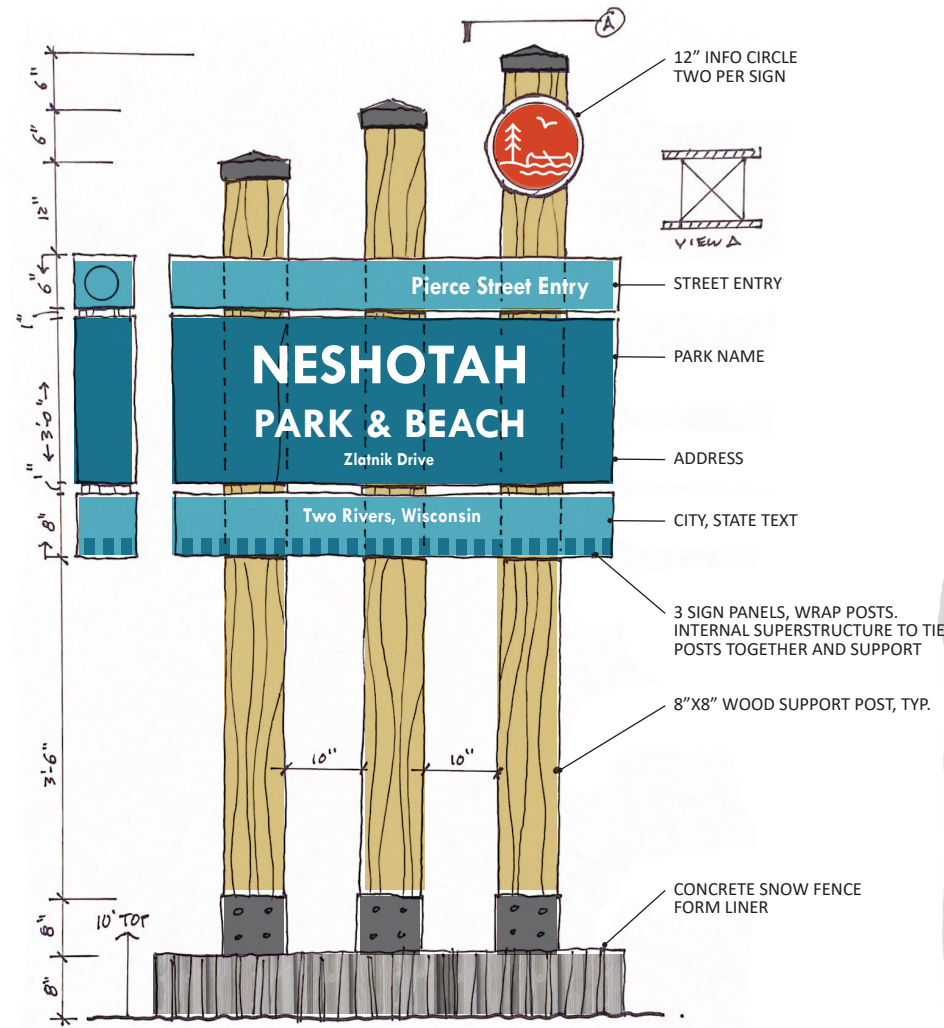
PRECEDENT IMAGE



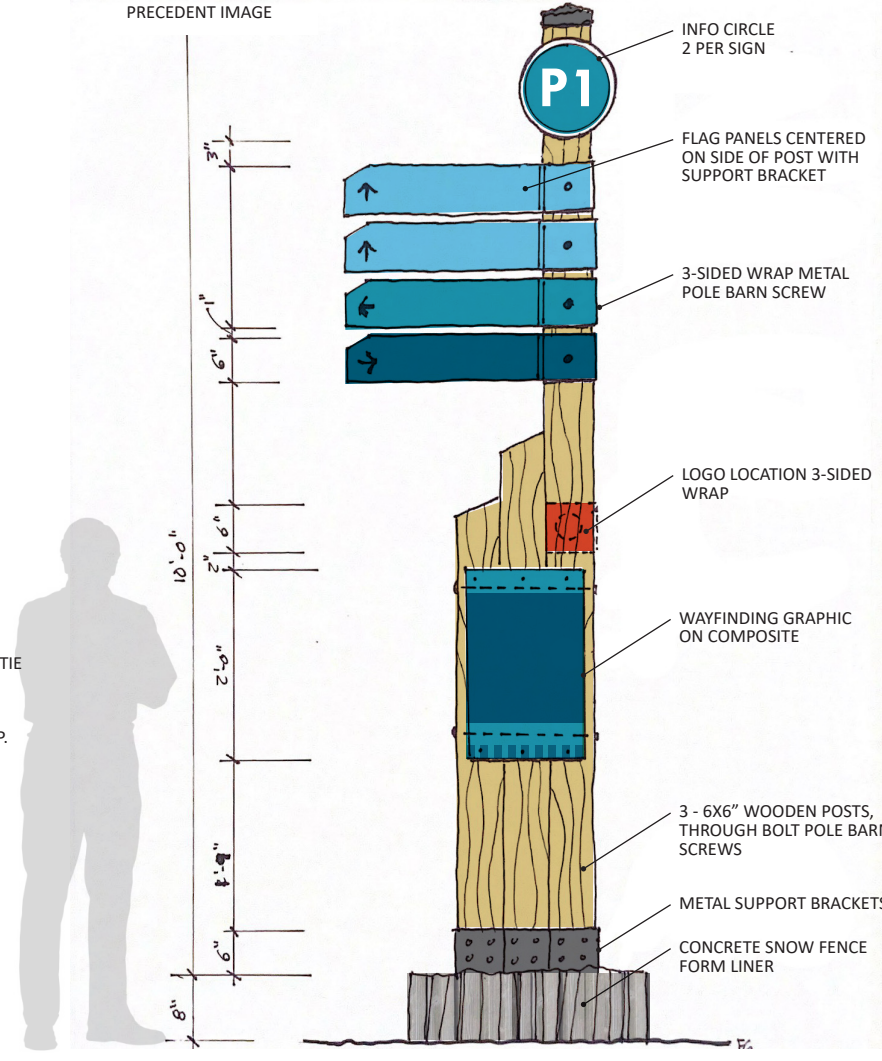
PRECEDENT IMAGE



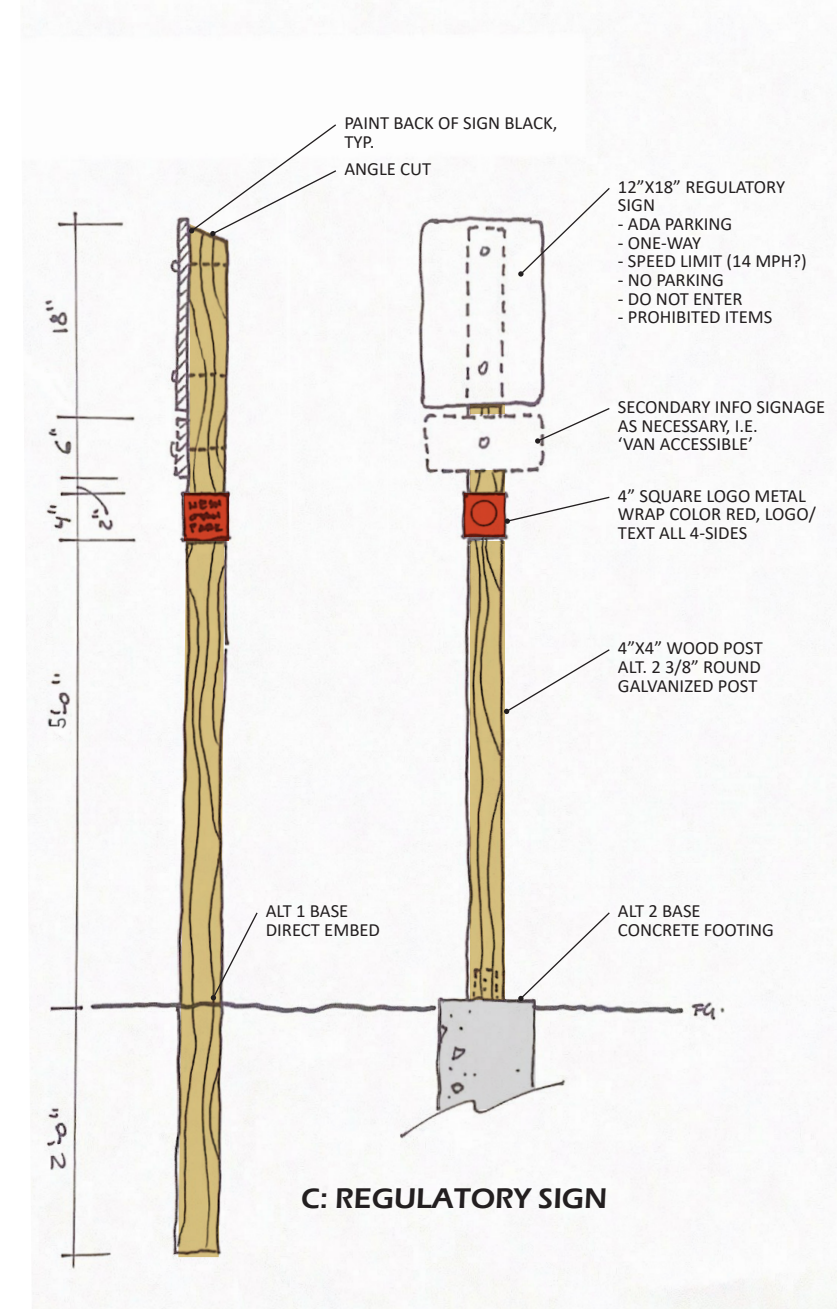
PRECEDENT IMAGE



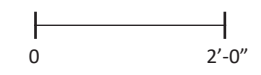
A: GATEWAY SIGN



B: AUTO DIRECTIONAL SIGN



C: REGULATORY SIGN



Project Name:
Project #:
Issued For:
Date:

Revisions:
25.040
Review
03/09/26

Sheet Number
S1

File: C:\Users\awill\Documents\AWLA\Projects\26D-03-Neshotah Signage\PP\Titleblock 11x17.dwg Layout: Model User: awill Plotted: Mar 09, 2026 - 5:58am



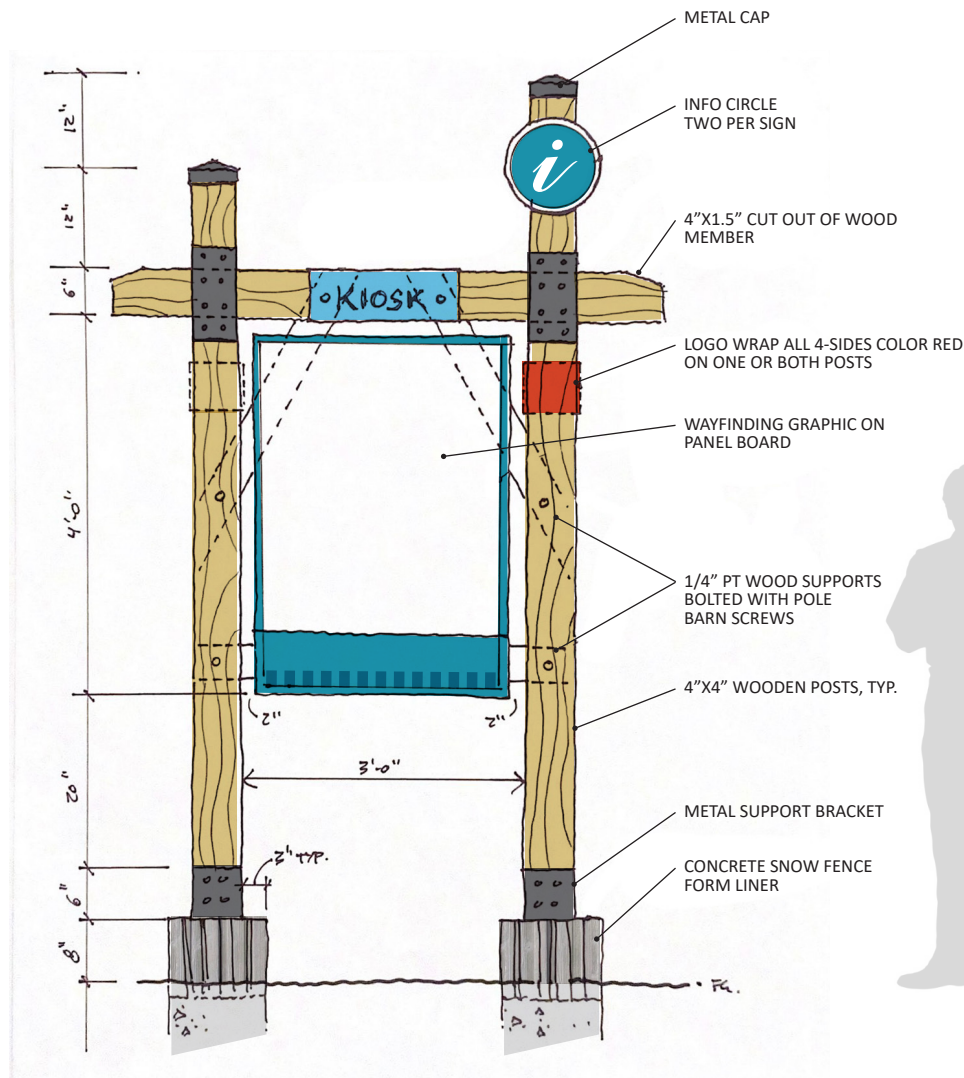
PRECEDENT IMAGE



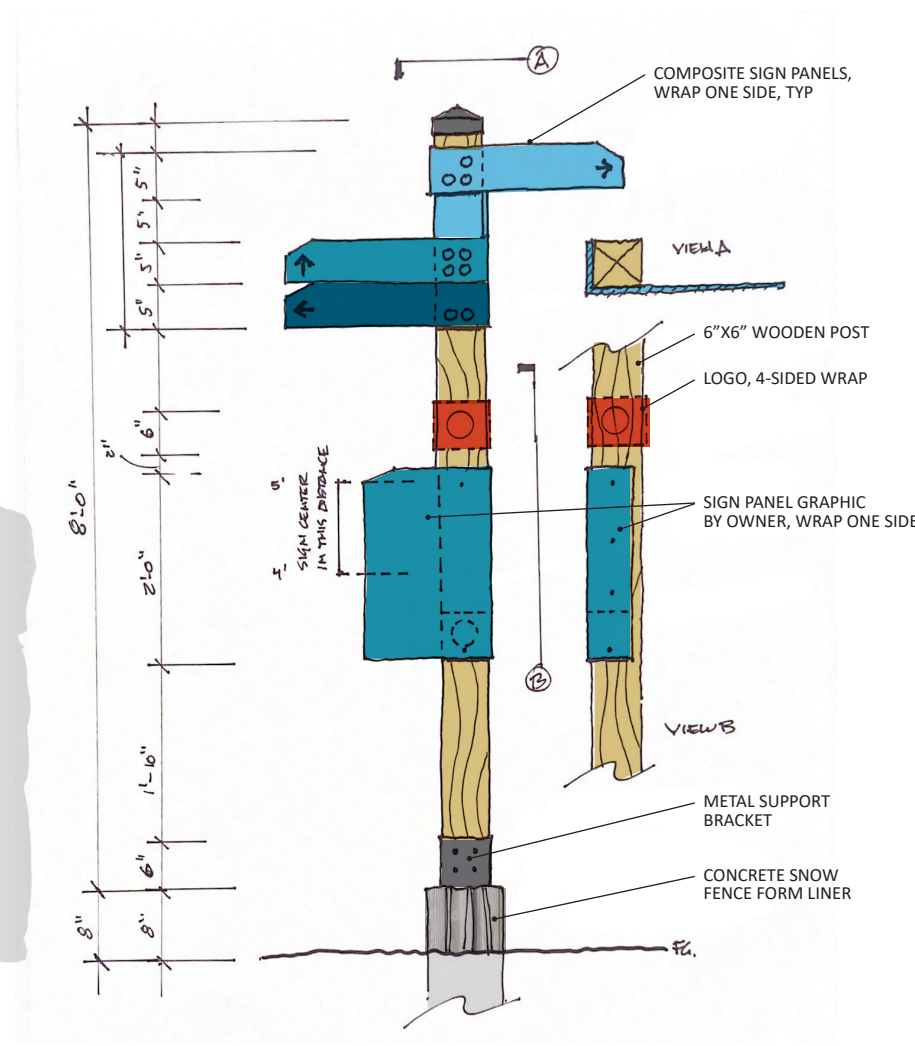
PRECEDENT IMAGE



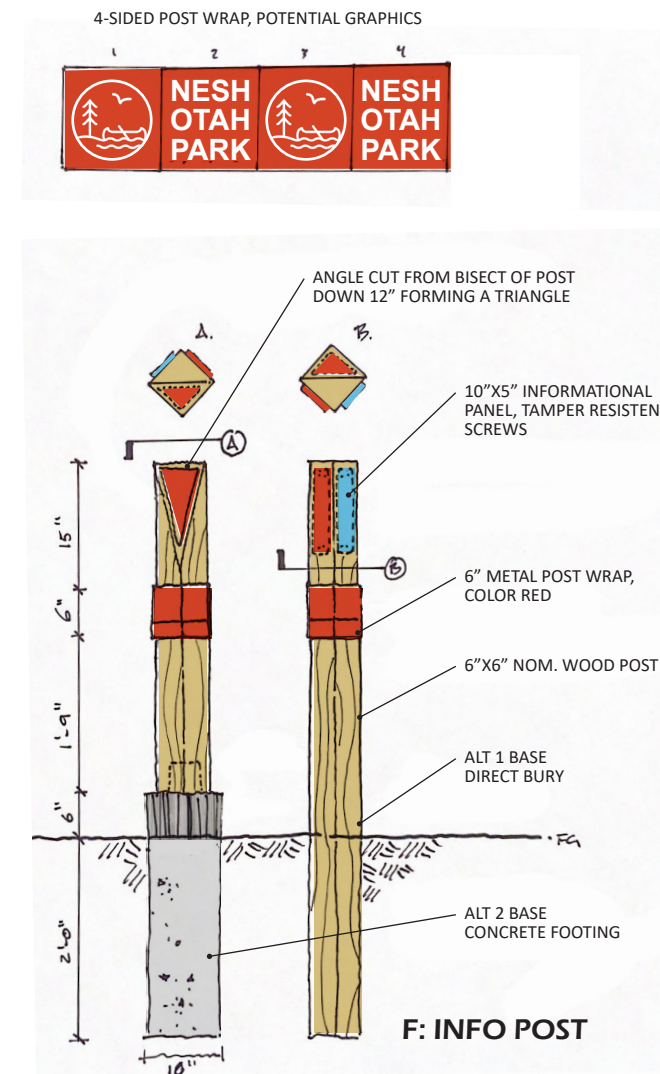
PRECEDENT IMAGE



D: ORIENTATION KIOSK



E: PEDESTRIAN DIRECTIONAL



F: INFO POST



NESHOTAH PARK SIGNAGE PLAN

Zlatnik Drive
 Two Rivers, WI 54241

SCHEMATIC DESIGN CONCEPTS

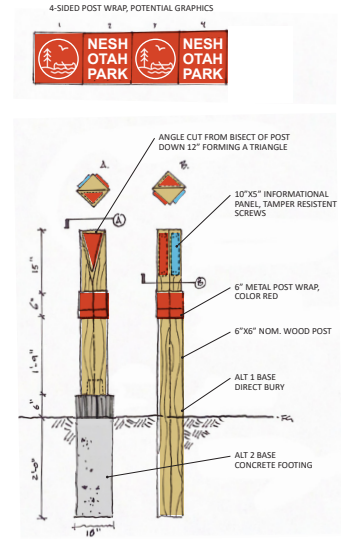
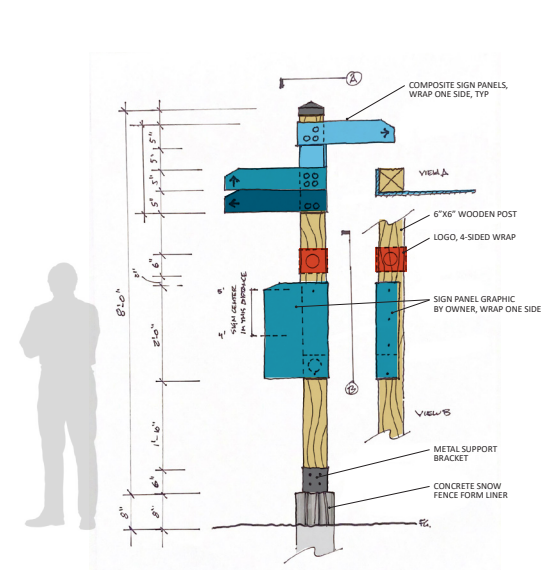
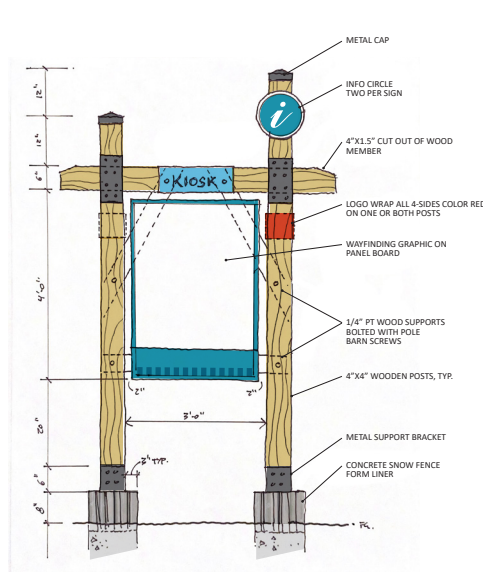
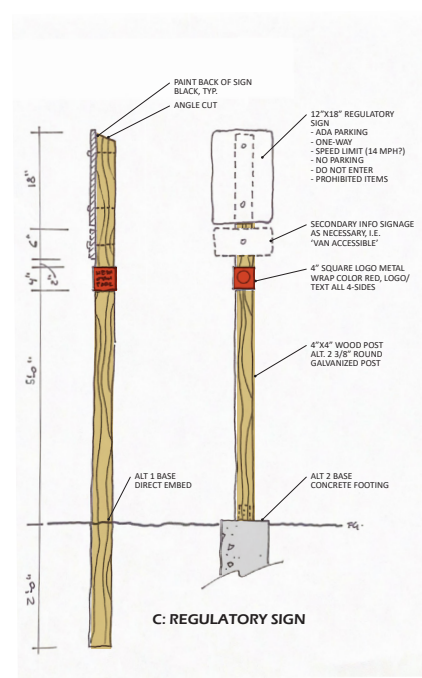
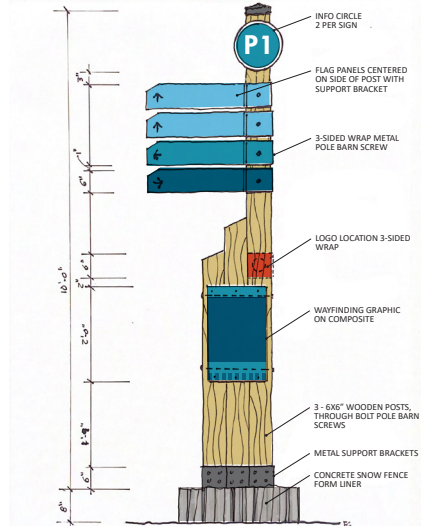
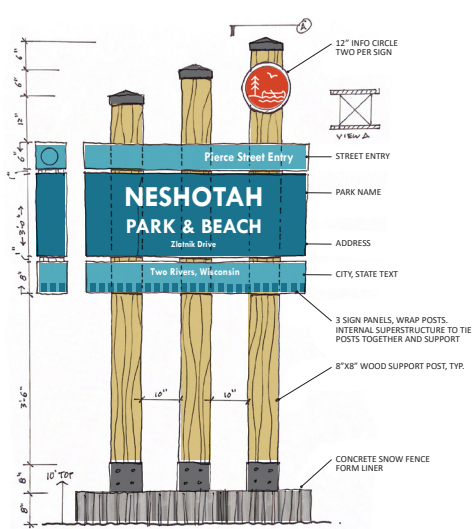
Project Name:

Revisions:

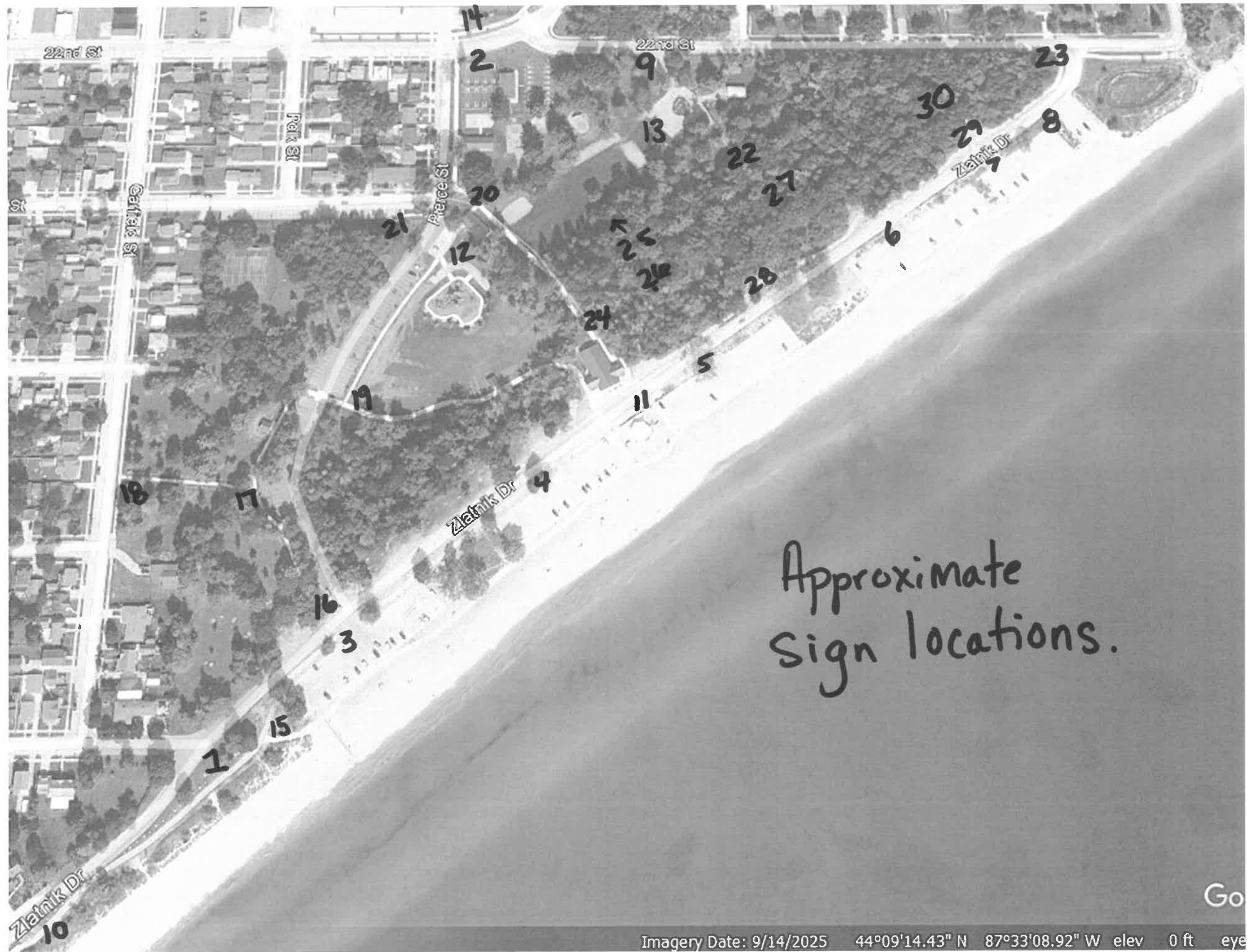
Project #: 25.040
 Issued For: Review
 Date: 03/09/26

Sheet Number

S2



Revisions:	
Project #:	25.040
Issued For:	Review
Date:	03/09/26
Sheet Number	S3



Approximate
Sign locations.

Map Key for Sign Locations

	1. Gateway Sign	2. Auto Directional Sign	3. Orientation Kiosk	4. Pedestrian Directional	5. Info Post
	1	3	10	15	25
	2	4	11	16	26
		5	12	17	27
		6	13	18	28
		7	14	19	29
		8		20	30
		9		21	
				22	
				23	
				24	
Total per type =	2	7	5	10	6