



Bulldozer Reverse Auction Bid # 2021-008PW

UN-PRICED PROPOSAL & REVERSE AUCTION INSTRUCTIONS

- 1.) View and Download Complete Bid Package from www.tupelomsbids.com. (Vendors must register for a free account and log-in to download bid documents.
- 2.) Fill out the "Bulldozer- Specification Response Form" and the Vendor Agreement that can be found in the bid package.
- 3.) Once you have filled out the specification response form and the Vendor Agreement, you may upload them through www.tupelomsbids.com, along with your unpriced proposal, and any brochures or other information that you would like to be considered for review. **Responses should be submitted no later than 2:00 p.m. on Thursday, March 25, 2021.**

Un-Priced Specification Response submissions and other submitted documents will be evaluated, and vendors meeting the required specifications will be invited to participate in the Electronic Reverse Auction process on **Wednesday, March 31, 2021 at 11:00 a.m.**

IF APPROVED FOR PARTICIPATION IN REVERSE AUCTION

If your company is approved to participate in the reverse auction process, you will be emailed detailed instructions regarding the reverse auction process. Pricing will only be accepted through the reverse auction process from vendors that are approved to participate in the reverse auction. Paper bids will not be considered.

For any questions regarding the reverse auction process, un-priced proposal submissions or website/bid document access, please contact Cory Dewett with PH Bidding at 662-407-0193.

Unpriced Proposals & Response Forms Due: March 25, 2021 at 2:00 p.m.

Reverse Auction Date: March 31, 2021 at 11:00 a.m.



Reverse Auction Event Platform Agreement

INTENT AND CONTACT

This document shall detail the conditions upon which a supplier, contractor, vendor or other individual, business or corporation seeking to do business with any client who has contracted, whether verbally, by resolution or any other means with PH Bidding Group for the use of its reverse auction platform shall be allowed to utilize the PH Bidding Group Reverse Auction Platform located at <https://phbidding.procureport.com/>. Only through completion of this document and unconditional agreement to this agreement in its entirety will you or your assigns, agents or employees or other designees be allowed to utilize this platform to submit pricing to the client(s) of PH Bidding Group.

This Agreement contains provisions for an administrative fee, discussed in Section 15.

PH Bidding Group hereby agrees to all sections contained within which outline its obligations and responsibilities. PH Bidding Group is located at:

PH Bidding Group
605 West Main Street
Tupelo, MS 38804

TERMS OF USE

Reverse Auction and Strategic Procurement Software – One Time Use Agreement for Suppliers Only

Instructions for completing this document can be found after the signatory page, located on Page 8. If you have difficulty in completing this document, email us at cory@phbidding.com or call us direct at 662.407.0193.

By participating in the reverse auction procurement process initiated by PH Bidding Group and its strategic partner(s), you agree that you have accepted this agreement in its entirety, without exception, and that you, your representatives and assigns agree to the following terms, statements and conditions:

Definitions:

“**PH Bidding Group**” shall mean the provider of a Reverse Auction Event Platform used in conjunction with Buyers to negotiate pricing on desired service, goods, or information.

“**You**”, “**Supplier**” or “**Suppliers**” shall mean anyone signing this agreement that will use or direct the use of PH Bidding Group’ Reverse Auction Event Platform for the purpose of selling services, goods or information to Buyers who retain the services of PH Bidding Group.

“**Buyer**” shall mean any client or customer of PH Bidding Group who chooses or has chosen in the past to procure through the use of a Reverse Auction Event Platform or information provided by or in conjunction with PH Bidding Group.

“**Reverse Auction Event Platform**” shall mean the platform accessed within or from or in conjunction with the website address at <https://phbidding.procureport.com/>, which is used by various Buyers to procure services, goods or information.

1 – All information related to bids, projects, specifications, and terms of sale to potential clients of PH Bidding Group are based on information received directly from the client, and not necessarily approved by PH Bidding Group. PH Bidding Group makes no warranty concerning information approved by its clients for use in reverse auction events.

2 – PH Bidding Group cannot and will not be held liable for delays in reverse auction events, server failures or changes in scheduling for reverse auction events.

3 – You acknowledge that PH Bidding Group is merely the conduit through which pricing is achieved for the benefit of our clients, and not an endorsement of our clients’ creditworthiness, ability to perform upon a contract or agreement, nor the proper use of materials, equipment or any other service or goods purchased through the use of our reverse auction software. PH Bidding Group shall not be held liable clients’ failure to perform or award upon a given reverse auction event. All agreements that arise between suppliers and buyers are then the sole responsibility of those two parties, wherein PH Bidding Group shall be indemnified.

4 – This agreement shall be good for a one time use of PH Bidding Group’s reverse auction strategic procurement solution. **Only through acceptance of this agreement are you permitted to utilize the bidding platform.** In the event that you violate any of the terms of any part of this agreement, PH Bidding Group may, in its sole and absolute discretion, terminate your ability to access the platform. In the event that PH Bidding Group terminates your access to the reverse auction software for any reason, neither you nor your assigns, affiliates, employers, employees or subsidiaries or beneficiaries shall have a claim against PH Bidding Group, its employees, assigns or beneficiaries.

5 – PH Bidding Group shall provide basic training and basic instruction concerning operation of the supplier side functions of its reverse auction software, which is operated entirely online. Supplier shall be solely responsible for his or her attendance to this training. PH Bidding Group shall make reasonable efforts to

accommodate training to Supplier's schedule, but Supplier acknowledges that he or she is ultimately solely responsible for attendance. Supplier agrees not to attempt to reverse engineer, model or copy this software.

6 – It shall be the supplier's responsibility to comply fully with terms and conditions set forth by clients of PH Bidding Group, and to ensure that supplier conduct falls within state purchasing laws.

7 – It shall be the sole and absolute responsibility of the Supplier to meet all deadlines for specification responses and sample presentations or the attending of any pre-bid conferences or any other functions as may be required from time to time by either PH Bidding Group or the Buyer. Failure to meet any of these deadlines or appointments does not entitle the supplier to an extension of the deadline or a delay in the scheduled date of the reverse auction event. Supplier shall also be solely responsible for his own access to the Internet. If Supplier has no access to the Internet and is unable to locate access on his own, PH Bidding Group may, at its sole and absolute discretion, assist Supplier in locating sufficient Internet access for the purposes of participating in a contemplated Reverse Auction Event. Supplier also agrees that he is solely responsible for using his access to the Internet in a responsible manner in conjunction with this Reverse Auction Event so as not to intentionally interfere with another Supplier's access to the Reverse Auction Event.

8 – It shall be the sole and absolute responsibility of the supplier to ensure that it meets all state and federal regulations with respect to product offerings and its ability to offer such items or services.

9 – Suppliers agree that any and all information they provide shall be accurate and truthful. PH Bidding Group shall take reasonable precautions deemed necessary in its sole and absolute discretion to protect and safeguard that information but shall not be held liable in the event of a breach of that security. PH Bidding Group does not guarantee either the validity of your information or the safety of information you provide. In the event your information becomes compromised, PH Bidding Group will issue you a new password.

10 – Supplier agrees that he has no right to transfer this one-time use license.

11 – Supplier agrees that he shall have no claim against PH Bidding Group for any virus that may infect the hardware or software of the supplier as a direct or indirect result from the use or perceived use of PH Bidding Group' reverse auction software.

12 – Supplier agrees that his sole remedy in the event that supplier determines he dislikes the reverse auction process or service is to stop using the service.

13 – Supplier agrees that he will neither share nor leak his password to the service for the purpose of allowing competitors of PH Bidding Group to view the reverse auction process or allow unauthorized persons to view a Reverse Auction Event for the purpose of providing information to other unauthorized users, regardless of intent or consequence. In the event of a breach of this section of the agreement, PH Bidding Group may, in its sole and absolute discretion, remove access to the Reverse Auction Event or any other portion of Internet based material from the Supplier.

14 – Supplier agrees that in the event of an Internet or server failure on the side of PH Bidding Group, arrangements may be made by PH Bidding Group in conjunction with the buyer for an alternate date for the Reverse Auction Event. Suppliers shall have no claim against PH Bidding Group, its employees, assigns or beneficiaries.

15 – An investment of time and financial resources is necessary for the continued operation of Reverse Auction Events run on PH Bidding Group platform. Therefore, a transaction fee based solely upon the final awarded purchase price shall be charged to the supplier. This transaction fee shall be self-assessed by the Supplier, who, by participating or reviewing or viewing PH Bidding Group' Reverse Auction Platform, website or information prepared by or in conjunction with PH Bidding Group, acknowledges receipt of service from PH Bidding Group regardless of the means of the final arrangement of pricing, whether through PH Bidding Group's Reverse Auction Event or other direct negotiations or bids. Supplier agrees that if he or she at any time has used the Reverse Auction platform or any portion or part of the software or Internet platform or website or information provided by or prepared by or in conjunction with PH Bidding Group for purposes of a contemplated bid, the fees described within this agreement as being due to PH Bidding Group shall be due in full in accordance with normal billing procedures set forth herein and are fully earned by PH Bidding Group. **Fees shall be self-assessed by the winning Supplier in the following amount and shall apply to all bids:**

4% of the total contract price, including all service agreements, extended warranties and equipment.

Fees shall be paid to PH Bidding Group in the following manner:

All fees, in full, shall be due to PH Bidding Group within 30 calendar days of payment by the Buyer to the winning vendor for equipment, materials or other items. Partial payments shall not be accepted, and payments which are not received within 60 calendar days shall immediately accrue interest at the rate of 2% monthly plus a recurring monthly service fee of \$50. Supplier agrees that after 90 (ninety) days of non-payment, Supplier shall be considered in default of this agreement by PH Bidding Group and subject to all necessary and legal means of collection of this debt. In addition, Supplier agrees to pay all fees and lost monies required to collect Suppliers debt to PH Bidding Group. Jurisdiction for all collection efforts shall be Tupelo, Mississippi exclusively.

Suppliers should ensure that their total bid includes all fees due PH Bidding Group. Supplier agrees that it is his sole and absolute responsibility to include fees due PH Bidding Group with all submitted bids.

Supplier agrees that any and all future orders or transactions arising from the use of PH Bidding Group' Reverse Auction Event Platform shall be subject to the fees listed above and payable based upon the same guidelines. Future orders and transactions shall include but not be limited to, accessories, modifications or aftermarket equipment.

16 – By participating in this Reverse Auction Event or by viewing materials associated with this Reverse Auction Event, Supplier agrees not to attempt circumvention or contemplate circumvention or enter into any agreement that would circumvent this agreement in any way, whether intentional or unintentional which

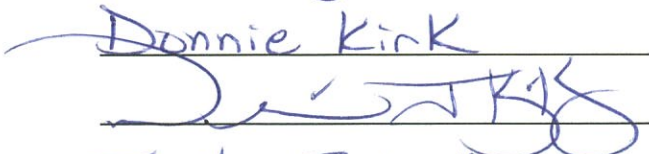
results or may result in avoiding fees due to PH Bidding Group or negotiating directly with Buyer or avoids or attempts to avoid the Reverse Auction Event. These circumvention techniques could include but shall in no way be limited to verbal agreements, bids written on paper delivered by any means or electronic communications, signals, or other means of communication.

17 – Supplier agrees that all content provided by PH Bidding Group is considered the sole property of PH Bidding Group. Unauthorized sharing or use of these materials and content is prohibited. Supplier agrees that he will use this content solely for the purpose of participating in a Reverse Auction Event in good faith.

18 – PH Bidding Group may alter this agreement at any time. Notice shall be given to Supplier within 24 hours of PH Bidding Group’s alteration of this agreement if currently in force either by email, the posting of specific related information within the bid package located within the Reverse Auction Bid platform that will be used by Supplier to gather information on this specific bid, or by certified mail. PH Bidding Group is hereby informing Supplier that our preferred method of notification is by using the Adobe Acrobat protected document format (PDF), delivered by email.

19 – This Agreement and all rights of the parties associated with it shall be governed by the laws as set forth within the State of Mississippi. Jurisdiction relating to any matters arising from the use of this agreement shall be the City of Tupelo, Mississippi. If any portion of this agreement is found to be unenforceable, whether due to illegality or misappropriation, the remainder of this agreement and its enforceability shall survive in full and shall be in no way affected. This agreement constitutes the entire agreement between the parties. No other verbal representations, examples or correspondence, whether electronic, verbal or written, shall survive the signing of this agreement.

Acceptance - This agreement is hereby accepted in its entirety, without exception. I assert under penalty of perjury, I am the authorized signatory for the following organization, company, group or individual:

Organization, Company or Individual represented: Stribling Eq. Co. LLC
Authorized Signatory (Printed Name): Donnie Kirk
Signature: 
Title of Authorized Signatory: Territory Sales Manager
Date: 3/4/21

ADVERTISEMENT FOR PROPOSALS

Notice is hereby given that the City of Tupelo will receive un-priced technical proposals to prequalify vendors for:

Bulldozer
Bid # 2021-0000

Deadline for receipt of un-priced technical proposals is March 25, 2021 at 2:00 PM, local time. Responses should be submitted electronically at www.tupelomsbids.com

Pursuant to MS Code 31-7-13 and House Bill 1109, this Equipment will be procured through a multi-step procurement process, including a Reverse Auction. In Phase One, un-priced technical proposals are evaluated for potential acceptability based upon pre-determined criteria. In Phase Two, only those bidders whose technical proposals are determined acceptable shall be invited to provide priced bids for consideration. City of Tupelo encourages vendor participation in this multi-step process. Complete instructions are provided in the specifications package.

Specifications and detailed instructions regarding the bid process may be obtained by visiting the website www.tupelomsbids.com. Specification response forms, along with all other required information detailed in the bid instructions should be submitted no later than **2:00 PM on March 25, 2021** per the detailed bid instructions. Un-priced Specification Response submissions will be evaluated, and vendors meeting the required specifications will be invited to participate in the **Electronic Reverse Auction process on March 31, 2021 at 11:00 AM**. Approved vendors will be given detailed instructions regarding the reverse auction. The City of Tupelo reserved the right to extend the auction date if necessary, to complete the pre-qualification process. For any questions relating to the electronic submittal or reverse auction process, please call PH Bidding Group at 662-407-0193.

The City of Tupelo is an equal opportunity employer and hereby notifies all bidders that it will affirmatively insure that, in any contract entered into pursuant to this advertisement, minority business enterprises will be afforded full opportunity to submit bids in response to this invitation and will not be discriminated against on the grounds of race, color, sex, age, disability or national origin in consideration for an award.

The City of Tupelo reserves the right to reject any and or all bids, waive technicalities, informalities or irregularities in the bids received, solicit new bids or to choose that bid which is deemed to be in the best interest of the City of Tupelo.

Traci Dillard
Purchasing Agent

Publishing Dates: March 2, 2021 & March 9, 2021

CITY OF TUPELO, MS
BULLDOZER BID EVENT
BID SPECIFICATIONS AND CONDITIONS
Specification Response Form



TERMS AND CONDITIONS

INTENT:

This specification shall describe a bulldozer to be used in a municipal setting.

ABOUT THIS DOCUMENT:

This document, titled a Specification Response Form, is the form by which vendors shall respond to this bid opportunity. Vendors may be required to include other documents, including warranty or other information in order to be considered responsive.

GENERAL TERMS:

All equipment furnished under this contract shall be unused. Accessories not specifically mentioned herein, but necessary to furnish complete unit ready for use, shall also be included. Unit shall conform to the best practice known to the body trade in design, quality of material and workmanship. Assemblies, sub-assemblies and component parts shall be standard and interchangeable throughout the entire quantity of units as specified in this invitation to bid. The equipment furnished shall conform to applicable ANSI Safety Standards. Chassis and bid manufacturers shall have a minimum of five years' experience to insure the unit will conform to the best practice known to the trade in design, quality of material and workmanship. One or more units shall be purchased via this bid.

BID QUOTATION:

Bidders shall complete every space in the specification bidder's proposal column with a check mark to indicate if the item being bid is exactly as specified. If not, the "NO" column must be checked and a detailed description of the deviation from the specification to be supplied.

DELIVERY:

Delivery shall be FOB to the Purchasing Entity with vendor assuming all liabilities for the transport of the unit to the destination:

City of Tupelo
Public Works

QUANTITY:

Quantity determined by unit. Quantities may vary. The Purchasing Entity reserve the right to alter quantities and purchase more or less of any one item or all items.

UNIT AND MODEL EQUIVALENT:

Where model numbers are used, they are used for the sole purpose of illustrating the design and functionality of the unit. In no way is a model name or manufacturer used or meant to indicate a preference for one manufacturer over another.

SUBMISSION OF SPECIFICATION RESPONSE FORMS:

Vendors shall complete this form and submit their bid electronically to www.jacksoncoplans.com. For questions regarding the upload process, you may contact Cory Dewett at 662-407-0193 or via email to cory@phbidding.com on or before the Specification Response due date and time below.

BID PROCESS:

This bid event is being conducted by reverse auction, which is a bid process during which vendors compete for the Purchasing Entity's business in real time. A timer is set for an initial period of 30 minutes, during which vendors may place bids and receive feedback in the form of a rank (rank will be displayed in brackets adjacent to the vendor's input pricing per line item, as well as a total rank for the group of items together. In our format, a second-place rank would appear as such: [2]. Vendors may reduce their price as many times as they choose to do so. Within the final three minutes of the bid timer, any bid placed shall trigger an extension of an additional three minutes.

Vendors will be required to acknowledge that they are familiar with the PH Bidding bid platform at the end of this Specification Response Form.

PH BIDDING GROUP CONTACT: Vendors who have questions or comments regarding this specification may direct them to:

Cory Dewett
662-407-0193
cory@phbidding.com

PERFORMANCE DATES:

Advertise: March 2, 2021
Advertise: March 9, 2021
Specification Responses Due: March 25, 2021 2:00 PM Local Time
Reverse Auction Date: March 31, 2021 11:00 AM Local Time

SPECIFICATIONS Please acknowledge in the boxes to the right where required. Any Variance should be listed in the box to the right.	Acknowledge		Variance (If Any)
	Yes	No	
Bid Line Items:			
Line Item 1 – Purchase Price for one (1) Bulldozer Unit as Specified	<input checked="" type="checkbox"/>	<input type="checkbox"/>	
Line Item 2 – Delivery Time (In Days Only)	<input checked="" type="checkbox"/>	<input type="checkbox"/>	90 +/-
1.0 ENGINE	YES	NO	
100 hp Minimum Turbo Charged Diesel or Equivalent	<input checked="" type="checkbox"/>	<input type="checkbox"/>	
Lockable Engine Enclosure	<input checked="" type="checkbox"/>	<input type="checkbox"/>	
Fuel Shut Off Valve Shall be Included	<input checked="" type="checkbox"/>	<input type="checkbox"/>	
2.0 POWER TRAIN & CHASSIS	YES	NO	
Drive system shall be hydrostatic designed to permit unrestricted changes in speed and direction under full Engine RPM and Load	<input checked="" type="checkbox"/>	<input type="checkbox"/>	
Steering and Transmission shall be controlled with a joystick	<input checked="" type="checkbox"/>	<input type="checkbox"/>	
Unit shall have a foot decelerator	<input checked="" type="checkbox"/>	<input type="checkbox"/>	
3.0 HYDRAULIC SYSTEM	YES	NO	
Pump output shall be at least 18GPM@2150 or suitable for the individual machine	<input checked="" type="checkbox"/>	<input type="checkbox"/>	
All hoses shall be of an o-ring seal design	<input checked="" type="checkbox"/>	<input type="checkbox"/>	
Blade control shall have a single lever with control for lift, tilt, and angle function	<input checked="" type="checkbox"/>	<input type="checkbox"/>	
4.0 TRACKS & UNDERCARRIAGE	YES	NO	
Undercarriage shall have a minimum of six (6) track rollers per side	<input checked="" type="checkbox"/>	<input type="checkbox"/>	
Rollers and idlers shall be lifetime lubricated	<input checked="" type="checkbox"/>	<input type="checkbox"/>	
LGP Tracks shall be required	<input checked="" type="checkbox"/>	<input type="checkbox"/>	
5.0 OPERATOR STATION	YES	NO	
Unit shall be complete with enclosed cab – ROPS/FOPS approved	<input checked="" type="checkbox"/>	<input type="checkbox"/>	
Cab shall lock with a key	<input checked="" type="checkbox"/>	<input type="checkbox"/>	
Unit shall have fresh air intake, heat, air conditioning, windshield wipers	<input checked="" type="checkbox"/>	<input type="checkbox"/>	
Adjustable seat for operator height and weight and lumbar adjustment	<input checked="" type="checkbox"/>	<input type="checkbox"/>	
Display gauges, AM/FM/Bluetooth Radio	<input checked="" type="checkbox"/>	<input type="checkbox"/>	
Unit shall be pre-wired for CB	<input checked="" type="checkbox"/>	<input type="checkbox"/>	

6.0 BASIC INFORMATION	YES	NO	
Unit weight of approximate 20,000 pounds or equivalent	<input checked="" type="checkbox"/>	<input type="checkbox"/>	
Minimum 13" ground clearance or equivalent	<input checked="" type="checkbox"/>	<input type="checkbox"/>	
Blade width of 115" or equivalent	<input checked="" type="checkbox"/>	<input type="checkbox"/>	
Six-way blade required	<input checked="" type="checkbox"/>	<input type="checkbox"/>	
7.0 WARRANTY	YES	NO	
Minimum 12 month warranty from date of delivery	<input checked="" type="checkbox"/>	<input type="checkbox"/>	
Minimum 3 year power train and hydraulics warranty required	<input checked="" type="checkbox"/>	<input type="checkbox"/>	
8.0 PAINT	YES	NO	
Paint shall be applied with the highest industry standards. Color shall be manufacturer's typical color for this specific equipment piece.	<input checked="" type="checkbox"/>	<input type="checkbox"/>	
Vendor shall provide a duplicatable daily inspection checklist sheet for operator use	<input checked="" type="checkbox"/>	<input type="checkbox"/>	
9.0 UNIT INFORMATION	YES	NO	
In the boxes to the right, state the following:			
Bulldozer Manufacturer	Deere		
Bulldozer Model	650K		
Bulldozer Year Model	2021		
Operating Weight	23,000 LBS		
Engine Manufacturer	Deere		
Engine Model	PWS 4045		
Engine Horsepower	104		
Average Fuel Consumption/Hour	2.6 GPH		
Maintenance Agreement Interval Schedule	500		
Maintenance Cost per Interval	VARIES PER INTERVAL		
10.0 Specification Response Form Complete Document Checklist	YES	NO	
<i>(Include all below documents in order for your Specification Response Form to be considered)</i>			
Equipment Brochure Included:	<input checked="" type="checkbox"/>	<input type="checkbox"/>	
Written Warranty Information Included:	<input checked="" type="checkbox"/>	<input type="checkbox"/>	
PH Bidding Supplier Agreement Included:	<input checked="" type="checkbox"/>	<input type="checkbox"/>	
Company Name:	Stribling Eq. Co. LLC		
Representative:	Donnie Kirk	Phone:	731-422-2546
Billing Address:	P.O. Box 6038	Cell:	731-394-1532
City/Zip:	Jackson, MS 39208	Email:	donnie.kirk@

Striblingequipment.com

Selling Equipment

Quote Id: 23793151

Customer: CITY OF TUPELO PUBLIC WORKS

JOHN DEERE 650K CRAWLER DOZER

Hours:
Stock Number:

Code	Description	Qty
02J0T	650K CRAWLER DOZER	1

Standard Options - Per Unit

170C	JDLink Ultimate 5 Year Subscription	1
0940	John Deere PowerTech PWS 4045 Diesel Engine	1
1075	Gauge Low Ground Pressure (LGP) Track Frame	1
2605	English Operator Manual	1
4570	24 in. Moderate Service Shoes & 7 Bottom Rollers	1
4825	Chain Guides	1
5085	Cab with Roof Mounted Air Conditioner/Heater	1
5885	Air Suspension Comfort Control High Back Fabric Seat	1
7065	115 in. Blade with All Hydraulic Heavy Duty C-Frame	1
7725	3 Function Hydraulic Control Valve	1
9168	Deluxe LED Work Lights	1
9350	Retrieval Hitch with Pin for XLT or LGP Track	1
9400	Hydraulic Track Adjuster Yoke Relief Valve	1
9501	Premium Radio with Bluetooth	1

Service Agreements

John Deere Extended Warranty - 12 Months Full Machine / 36 Month or 3000 Hour Powertrain + Hydraulic

650K

Engine	650K XLT / 650K LGP
Blade Type	Power-Angle-Tilt (PAT)
Manufacturer and Model	John Deere PowerTech™ PWS 4045
Non-Road Emission Standard	EPA Final Tier 4/EU Stage IV
Displacement	4.5L (276 cu. in.)
SAE Net Rated Power	78 kW (104 hp) at 2,200 rpm
Net Peak Torque	475 Nm (350 ft.-lb.) at 1,400 rpm
Aspiration	Turbocharged with charge-air cooler
Air Cleaner	Dual-stage dry tube with tangential unloader

Cooling	
Type	Variable-speed suction fan with optional reversing feature
Engine Coolant Rating	-37 deg. C. (-34 deg. F)
Engine Radiator	10 fins per in.

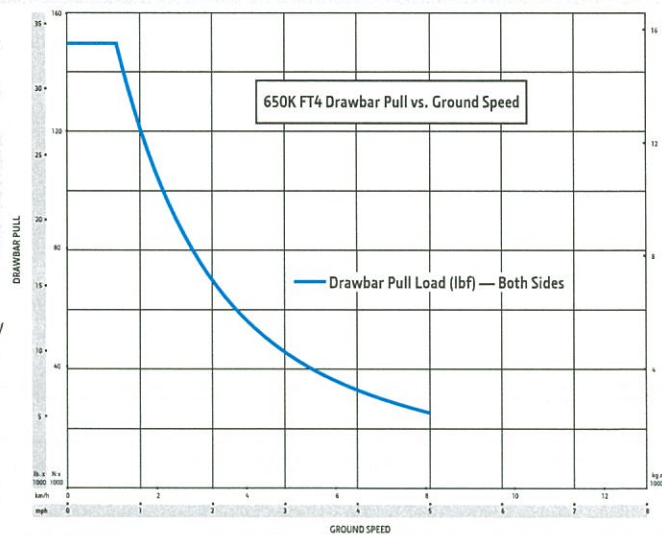
Powertrain	
Transmission	Automatic, dual-path, hydrostatic (HST) drive; load-sensing feature automatically adjusts speed and power to match changing load conditions; each individually controlled track is powered by a variable-displacement piston pump and variable-displacement motor combination; ground-speed selection buttons on single-lever steering and direction control; independently selectable reverse speed ratios of 100%, 115%, or 130% of forward ground speed; decelerator pedal controls ground speed to stop
System Relief Pressure	42 692 kPa (6,192 psi)

Travel Speeds	
Forward and Reverse	8.0 km/h (5.0 mph)
Maximum (optional)	9.7 km/h (6.0 mph)

Steering	Single-lever steering, direction control, and counter-rotation; full power turns and infinitely variable track speeds provide unlimited maneuverability and optimum control; HST steering eliminates steering clutches and brakes
Final Drives	Triple-reduction final drives mounted independently of track frames and dozer push frames for isolation from shock loads
Total Ratio	52.13 to 1

Drawbar Pull	
Maximum	148 kN (33,600 lb.)
At 1.9 km/h (1.2 mph)	108 kN (24,200 lb.)
At 3.2 km/h (2.0 mph)	69 kN (15,600 lb.)

Brakes	
Service	HST (dynamic) braking stops the machine when the direction/steering control lever is moved to neutral or the decelerator is depressed to the detent
Parking	Exclusive spring-applied, hydraulically released park-brake feature engages wet, multiple-disc brakes automatically whenever the engine stops, the operator depresses the decelerator pedal to the brake position, the unit is in neutral for 3 seconds (with detected motion), or the park-lock lever is in the park position; machine cannot be driven with brake applied, minimizing wearout or need for adjustment



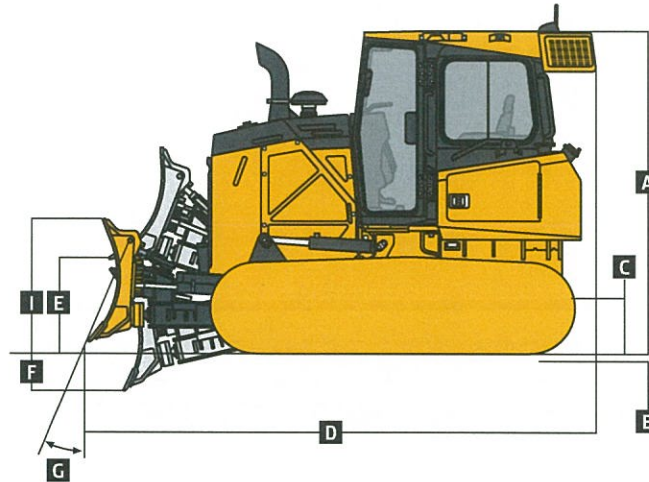
Hydraulics	
Type	Open-center hydraulic system with fixed-displacement gear pump
Pump Displacement	36.4 cc
System Relief Pressure	20 684 kPa (3,000 psi)
Maximum Flow at Unloaded High Idle	80 L/m (21 gpm)
Control	3-function direct-acting T-bar joystick with push-button angle function



Electrical		650K XLT / 650K LGP	
Blade Type	PAT		
Voltage	24 volts		
Capacity			
Battery	950 CCA		
Reserve	190 min.		
Alternator Rating			
Cab	100 amp		
Canopy	100 amp		
Lights	Grille mounted (2), rear mounted (2), and rear reflectors (2)		
Undercarriage		650K XLT	650K LGP
Tracks	John Deere DuraTrax™ features large deep-heat-treated components; pins and bushings are sealed for life; rollers and idlers are permanently sealed and lubricated; full-length track-frame covers reduce material buildup and ease cleaning		
Track Gauge	1550 mm (61 in.)	1750 mm (69 in.)	
Grouser Width	457 mm (18 in.)	710 mm (28 in.)	
Chain	Sealed and lubricated	Sealed and lubricated	
Shoes, Each Side	40	40	
Track Rollers, Each Side	7	7	
Track Length on Ground	2349 mm (92 in.)	2349 mm (92 in.)	
Ground Contact Area	21 479 cm ² (3,329 sq. in.)	33 412 cm ² (5,179 sq. in.)	
Ground Pressure	44.1 kPa (6.4 psi)	29.6 kPa (4.3 psi)	
Track Pitch	171 mm (6.7 in.)	171 mm (6.7 in.)	
Operator Station		650K XLT / 650K LGP	
ROPS (ISO 3471 – 2008) and FOPS (ISO 3449 – 2005)			
Serviceability			
Refill Capacities			
Fuel Tank With Lockable Cap	202 L (53.45 gal.)		
Diesel Exhaust Fluid (DEF) Tank	11.8 L (3.1 gal.)		
Cooling System With Recovery Tank	21.1 L (5.6 gal.)		
Engine Oil With Filter	19 L (20 qt.)		
Hydraulic/HST Oil (common reservoir) With Filters	100 L (26.42 gal.)		
Final Drive (per tractor)	17 L (4.6 gal.)		
Operating Weights		650K XLT	650K LGP
<i>Base Weight (with standard equipment, rollover protective structure [ROPS], full fuel tank, and 79-kg [175 lb.] operator</i>		9691 kg (21,320 lb.)	10 156 kg (22,343 lb.)
Optional Components			
Cab With Pressurizer and Heater/Air Conditioner	306 kg (675 lb.)		306 kg (675 lb.)
ROPS Canopy			
Heater	39 kg (85 lb.)		39 kg (85 lb.)
Front and Door Screens	81 kg (179 lb.)		81 kg (179 lb.)
Rear Screen	34 kg (76 lb.)		34 kg (76 lb.)
Side Screens	43 kg (94 lb.)		43 kg (94 lb.)
Limb Risers (ROPS canopy and cab)	104 kg (229 lb.)		104 kg (229 lb.)
Counterweight			
Front	109 kg (240 lb.)		109 kg (240 lb.)
Rear	150 kg (330 lb.)		150 kg (330 lb.)
Retrieval Hitch	23 kg (50 lb.)		23 kg (50 lb.)
Drawbar, Extended Rigid	33 kg (72 lb.)		33 kg (72 lb.)
Winch	652 kg (1,437 lb.)		652 kg (1,437 lb.)
Fairlead, 4 Roller	85 kg (187 lb.)		85 kg (187 lb.)
Center Chain Guides	41 kg (90 lb.)		41 kg (90 lb.)
Full-Length Rock Guards	98 kg (216 lb.)		98 kg (216 lb.)
Maximum Life Undercarriage	182 kg (400 lb.)		182 kg (400 lb.)
Track Shoes			
457 mm (18 in.)	In base	—	
510 mm (20 in.)	83 kg (183 lb.)	–344 kg (–760 lb.)	
610 mm (24 in.)	—	–172 kg (–380 lb.)	
710 mm (28 in.)	—	In base	

Machine Dimensions
650K XLT / 650K LGP
Blade Type
Power-Angle-Tilt (PAT)

A Overall Height to Roof	2762 mm (9 ft. 1.25 in.)
B Tread Depth With Single-Bar Grouser	49 mm (1.9 in.)
C Ground Clearance in Dirt	341 mm (13.5 in.)
D Overall Length	4255 mm (168 in.) (14 ft. 0 in.)
E Blade Lift Height	818 mm (32.2 in.)
F Blade Digging Depth	500 mm (19.7 in.)
G Blade Cutting-Edge Angle, Adjustable	52 to 60 deg.


650K XLT / 650K LGP WITH POWER-ANGLE-TILT (PAT) BLADE
Machine Dimensions (continued)
650K XLT
650K LGP
Straight

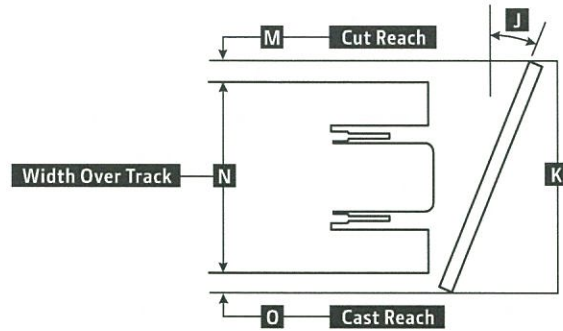
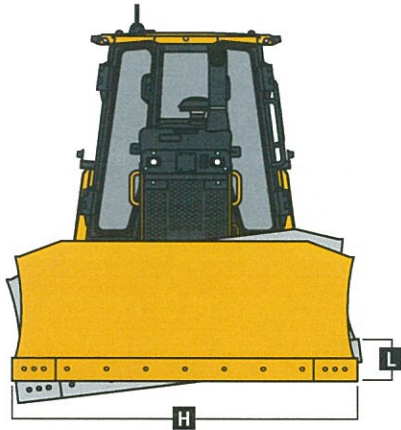
H Blade Width	2667 mm (105 in.) (8 ft. 9 in.)	2921 mm (115 in.) (9 ft. 7 in.)
I Blade Height	1067 mm (3 ft. 6 in.)	955 mm (3 ft. 2 in.)
SAE Capacity	2.2 m ³ (2.9 cu. yd.)	2.0 m ³ (2.6 cu. yd.)
Weight	603 kg (1,330 lb.)	628 kg (1,385 lb.)
C-Frame Assembly Weight (without blade)	399 kg (879 lb.)	399 kg (879 lb.)
J Blade Angle	22.2 deg.	22.2 deg.
K Overall Width With Blade Angled	2469 mm (8 ft. 1 in.)	2705 mm (8 ft. 11 in.)
L Blade Tilt (uses tilt jack)	363 mm (14.3 in.)	399 mm (15.7 in.)
M Cut Reach	117 mm (4.6 in.)	5 mm (0.2 in.)
N Width Over Track	2007 mm (6 ft. 7 in.)	2464 mm (8 ft. 1 in.)
O Cast Reach	345 mm (13.6 in.)	236 mm (9.3 in.)

Straight (option)

H Blade Width	2921 mm (115 in.) (9 ft. 7 in.)	3150 mm (124 in.) (10 ft. 4 in.)
I Blade Height	955 mm (3 ft. 2 in.)	894 mm (35 in.)
SAE Capacity	2.0 m ³ (2.6 cu. yd.)	1.9 m ³ (2.5 cu. yd.)
Weight	628 kg (1,385 lb.)	631 kg (1,391 lb.)
C-Frame Assembly Weight (without blade)	399 kg (879 lb.)	399 kg (879 lb.)
J Blade Angle	22.2 deg.	22.2 deg.
K Overall Width With Blade Angled	2705 mm (8 ft. 11 in.)	2916 mm (9 ft. 7 in.)
L Blade Tilt (uses tilt jack)	399 mm (15.7 in.)	429 mm (16.9 in.)
M Cut Reach	234 mm (9.2 in.)	112 mm (4.4 in.)
N Width Over Track	2007 mm (6 ft. 7 in.)	2464 mm (8 ft. 1 in.)
O Cast Reach	465 mm (18.3 in.)	340 mm (13.4 in.)

Machine Dimensions (continued)

	650K XLT	650K LGP
Blade Type	PAT	PAT
Straight (option)		
H Blade Width	3150 mm (124 in.) (10 ft. 4 in.)	3251 mm (128 in.) (10 ft. 8 in.)
I Blade Height	894 mm (35 in.)	955 mm (3 ft. 2 in.)
SAE Capacity	1.9 m ³ (2.5 cu. yd.)	2.2 m ³ (2.9 cu. yd.)
Weight	631 kg (1,391 lb.)	694 kg (1,530 lb.)
C-Frame Assembly Weight (without blade)	399 kg (879 lb.)	399 kg (879 lb.)
J Blade Angle	22.2 deg.	22.2 deg.
K Overall Width With Blade Angled	2916 mm (9 ft. 7 in.)	3010 mm (9 ft. 11 in.)
L Blade Tilt (uses tilt jack)	429 mm (16.9 in.)	445 mm (17.5 in.)
M Cut Reach	340 mm (13.4 in.)	157 mm (6.2 in.)
N Width Over Track	2007 mm (6 ft. 7 in.)	2464 mm (8 ft. 1 in.)
O Cast Reach	569 mm (22.4 in.)	569 mm (22.4 in.)

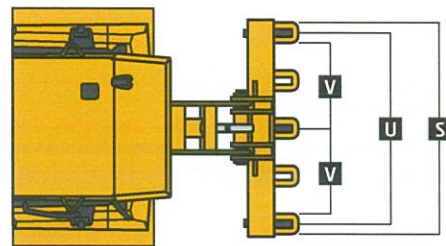
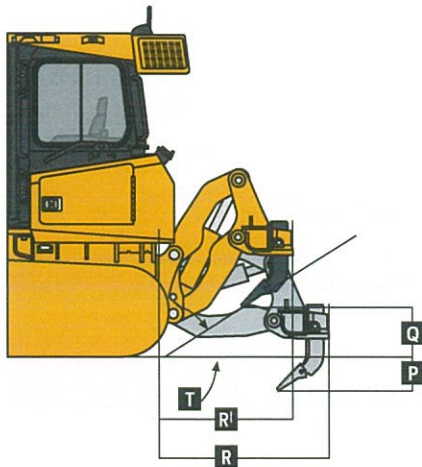


Rear Ripper

650K XLT / 650K LGP

Multi-shank parallelogram ripper with 5 pockets and 3 shanks

Weight	981 kg (2,163 lb.)
P Maximum Penetration	508 mm (20 in.)
Q Maximum Clearance Under Tip	508 mm (20 in.)
R Overall Length, Lowered Position	1450 mm (57 in.) (4 ft. 9 in.)
R ^l Overall Length, Raised Position	1015 mm (40 in.) (3 ft. 4 in.)
S Overall Beam Width	1830 mm (6 ft. 0 in.)
T Slope Angle (full raise)	40 deg.
U Ripping Width	1670 mm (5 ft. 6 in.)
V Distance Between Shanks	806 mm (32 in.)



Additional equipment

Key: ● Standard ▲ Optional or special

*See your John Deere dealer for further information.

450K	550K	650K	Engine
●	●	●	Meets EPA Final Tier 4/EU Stage IV emissions
●	●	●	Electronic control with automatic engine protection
●	●	●	Dual safety element dry-type air cleaner, evacuator valve
●	●	●	Exhaust filter, under hood, with vertical stack
●	●	●	Engine glow-plug starting system
●	●	●	Programmable auto engine shutdown
●	●	●	Automatic turbo cool-down timer
●	●	●	Wet-sleeve cylinder liners
●	●	●	Remote-mounted fuel filters with automatic electronic priming
▲	▲	▲	Engine coolant heater, 110 volts
▲	▲	▲	Engine coolant heater, fuel fired
▲	▲	▲	Chrome exhaust
▲	▲	▲	Rotary ejector engine air pre-cleaner
▲	▲	▲	Fluid-sample valves
▲	▲	▲	Quick-service ports
▲	▲	▲	Severe-duty 400-mL (13.5 oz.) fuel filter and water separator with heating element
Cooling			
●	●		Blower-type, direct-drive cooling fan
		●	Variable-speed suction fan with optional reversing feature
		▲	Automatic, programmable reversing-fan-drive fan
●	●	●	Enclosed safety fan guard (conforms to SAE J1308 and ISO3457)
●	▲	▲	Perforated engine side shields
●	●	●	Heavy-duty perforated grille
●	●	●	Heavy-duty, trash-resistant radiator and high-ambient cooling package
▲	▲	▲	Extreme-duty perforated grille with light guard
Powertrain			
●	●	●	Remote diagnostic test ports
●	●	●	Automatic cold-weather transmission warmup system
●	●	●	Automatic transmission derating for exceeded system temperatures
▲	●	●	Environmental service drains
●	●	●	2,000-hour vertical spin-on transmission filter
Hydraulic System			
●	●	●	3-function hydraulics
●	●	●	2,000-hour vertical spin-on hydraulic filter

450K	550K	650K	Hydraulic System (continued)
▲	▲	▲	4-function hydraulics with rear plumbing
▲	▲	▲	Drive-through hydraulic pump for use with winch
▲	▲	▲	Grade-control-ready electro-hydraulics (EH)
Mainframe, Access Panels			
●	●	●	Front tow loop, bolt-on
●	●	●	Reinforced engine and mid-frame bottom guards
●	●	●	Integral transmission guard
●	●	●	Vandal protection: Engine access door / Side tank access doors / Fuel tank / Instrument panel / Transmission reservoir / Hydraulic reservoir
Attachments			
▲	▲	▲	Counterweight, front, 109 kg (240 lb.)
▲	▲	▲	Counterweight, rear, 150 kg (330 lb.)
▲	▲	▲	Retrieval hitch with pin
▲	▲	▲	Extended rigid drawbar with pin for pull-type implements
▲	▲	▲	Drawbar, extended for winch (with or without fairlead)
▲	▲	▲	Ripper, parallelogram with 5 shank pockets and 3 teeth
▲	▲	▲	Winch, John Deere, power in/free spool out OR power out
▲	▲	▲	4-roller fairlead for winch
▲	▲	▲	Root-rake blade attachment
▲	▲	▲	Rear-mounted toolbox
▲	▲	▲	Trimble-ready interface package
▲	▲	▲	Topcon-ready interface package
▲	▲	▲	Leica-ready interface package
Undercarriage			
●	●	●	Full-length, smooth-surface track frame covers
●	●	●	Chain guides, front and rear
●	●	●	Maximum Life Undercarriage System
▲	▲	▲	Extended life undercarriage (SC-2™ bushings)
▲	▲	▲	Heavy-duty sealed and lubricated undercarriage
▲	▲	▲	Full-length rock guards
STD LGP 450K Shoes			
●			406-mm (16 in.) moderate service
●			610-mm (24 in.) moderate service
STD LGP 550K Shoes			
●	▲		457-mm (18 in.) moderate service
●			610-mm (24 in.) moderate service

XLT	LGP	650K Shoes
●	▲	457-mm (18 in.) moderate service
▲	▲	510-mm (20 in.) moderate service with clipped corners
	▲	610-mm (24 in.) moderate service
	●	710-mm (28 in.) moderate service with clipped corners
Canopy Cab Operator's Station / Electrical		
●	●	Retractable seat belts, 76 mm (3 in.) (conform to SAE J386)
●	●	Accessories: Convex wide-angle interior rearview mirror / Thigh cushions (2) / Cup holders (2)
●	●	Power port (cab includes two power ports)
●	●	Lockable dash-mounted storage compartment
	●	Air conditioner, 24,000 Btu
	●	Tinted glass
	●	Dome light
	●	Heater (roof mount)
	●	Wipers (intermittent plus 2 speeds) and washers – front window, left and right doors
	▲	Rear wiper and washer
●		Air-ride vinyl seat
	●	Air-ride fabric seat
▲	▲	Deluxe heated and leather-bolstered air-ride seat
	●	Under-seat heater
	●	AM/FM/Weather Band (WB) radio, clock, and MP3 player front plug-in
	▲	USB port and Bluetooth® mic
	●	Radio-area storage slot
●	●	Sealed alternator, 100 amps
●	●	Lockable master electrical disconnect switch
●	●	Multifunction/multi-language LCD monitor: Analog display (fuel level, coolant temperature, and engine oil pressure) / Digital display (engine rpm, charge pressure, hours, DPF soot level, and transmission direction/speed range)
●	●	Built-in diagnostics: Diagnostic-code details / Sensor values / Calibrations / Individual circuit tester
●	●	Keyless start with multiple security modes
●	●	Battery, dual, 24 volts
●	●	Lights, grille mounted (2), rear mounted (2)
▲	▲	Work lights, roof mounted (2)
	▲	External-mounted attachment mirror
●	●	JDLINK™ wireless communication system (available in specific countries; see your dealer for details)



Net engine power is with standard equipment including air cleaner, exhaust system, alternator, and cooling fan at test conditions specified per ISO9249. Specifications and design subject to change without notice. Wherever applicable, specifications are in accordance with SAE standards. Except where otherwise noted, these specifications are based on units with standard equipment, rollover protective structures (ROPS), full fuel tanks, and 79-kg (175 lb.) operators.