



# SCADA System Upgrade

## Project Update and Construction Contract

August 26, 2024

# Overview

- SCADA overview
- Project Overview
- Project Update
- Next Steps
- Resolution No. 5804-24



CITY of  
TUALATIN

# SCADA System Overview



## Supervisory Control and Data Acquisition (SCADA) System

- Used to manage water distribution system
- Automated system controls
- Remote system changes
- Alarms and notifications

## Current system is 20 years old, running 10-year-old software

- End of life, difficult to maintain
- Lacks modern security
- Lacks functions and features

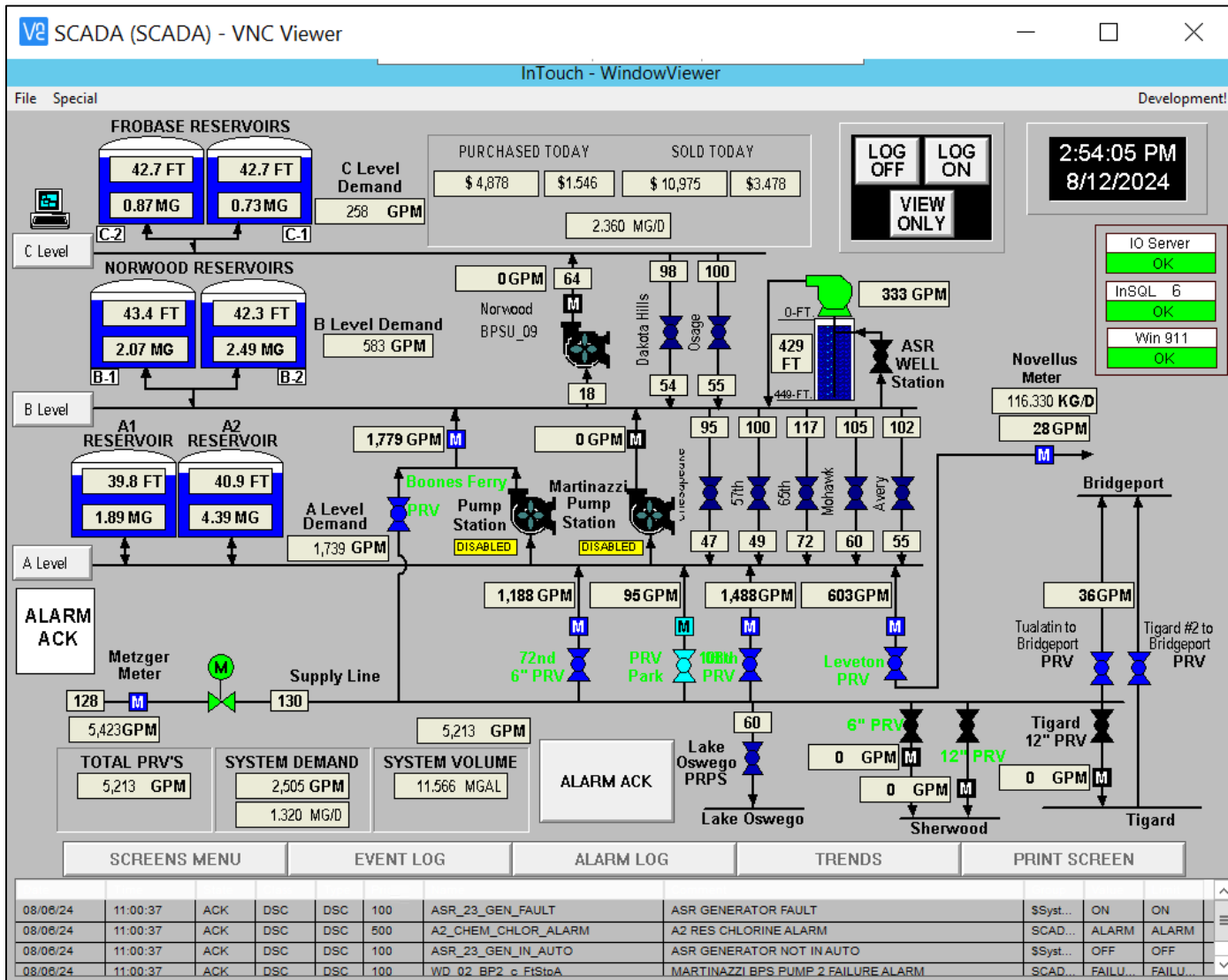
## System includes 22 sites including City Services Center

Equipment includes control panels, radio and cellular equipment, and water quality instrumentation



CITY of  
TUALATIN

# SCADA System Overview



CITY of  
TUALATIN

# Project Overview



Project scope includes:

- Develop SCADA System Upgrade Master Plan
- Identify software and hardware upgrades needed
- Program/ design upgrades
- Install/ construct system improvements
- Commission and support new system



CITY of  
TUALATIN

# Project Overview



This project will:

- Improve water system operations and security
- Replace equipment at 21 of 22 sites
- Improve communications between sites
- Move most sites above ground
- Install dedicated electric meters at 8 sites\*  
*\*Scope change requiring tonight's exemption request*
- Implement new SCADA software
- Train staff on new system and software



CITY of  
TUALATIN

# *Project Update*



First 3 phases complete

1. Master plan
2. Design (electrical and communications)
3. Procurement, fabrication, and testing

Ready for construction

Finalizing software design



CITY of  
TUALATIN

# Project Timeline

- March 2021 – City issues Request for Qualifications
- June 2021 – Control Systems NW selected, master plan work begins
- April 2022 – New software selected
- February 2023 – SCADA Master Plan complete
- February 2024 – Final design plans complete
- August 2024 (tonight) – Staff seek approval for construction funding
- *\*October 2024 – construction begins*
- *\*March 2025 – construction complete, new system live*
- *\*March – June 2025 – System testing*
- *\*March 2025 - March 2027 – Support period, system live. CSNW supports, changes made as needed.*

*\*Funding dependent*



CITY of  
TUALATIN



# *Next steps*



Finish software design

Construction, including PGE metering work

Turn on and test new system

Monitor and make adjustments over a couple seasons



CITY of  
TUALATIN

# Action Item



Consideration of **Resolution No. 5804-24** requesting Council authorization to increase the not-to-exceed price of the SCADA Upgrade project with Control Systems NW, LLC and adopting findings approving an exemption from competitive bidding for the public improvement portion of this project.

**Staff recommend approval of Resolution No. 5804-24**



CITY of  
TUALATIN



**CITY** *of*  
**TUALATIN**