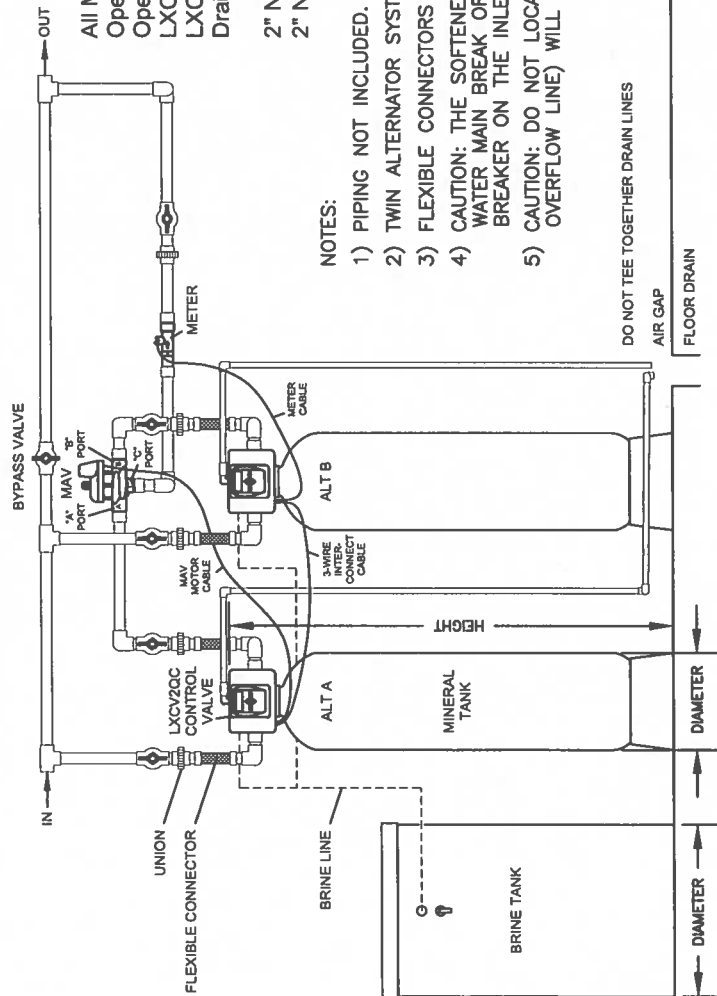


TYPICAL 2" COMMERCIAL TWIN ALTERNATOR SYSTEM

TWO IDENTICAL SOFTENERS, ONLY ONE METER AND BRINE TANK, AND ONE MOTORIZED ALTERNATING VALVE (MAV).
METER IMMEDIATE REGENERATION WITH HARD WATER USED.
ONE SOFTENER ONLINE, ONE SOFTENER ON STANDBY.



All Models:

Operating Water Pressure Range: 20 PSI to 125 PSI.

Operating Water Temperature Range: 40°F to 110°F.

LXC2QC Control Valves Power Adaptors Input: 120V AC - 60 Hz.

LXC2QC Control Valves Inlet / Outlet / Drain Port: 2" FPT / 2" FPT / 1.5" FPT.

Drain Line Adaptor Fitting Connection Sizes: 3/4" MPT 90° Elbow for Model 7-TALX2QC-240,

1.5" FPT Straight Fitting for Models 7-TALX2QC-300 thru -1200.

2" NPT Meter Flow Range; Accuracy: 1.5 GPM to 150 GPM; +/- 5%.

2" NPT Motorized Alternating Valve; Full 2" ports; low voltage drive controlled by LXC2QC.

NOTES:

- 1) PIPING NOT INCLUDED.
- 2) TWIN ALTERNATOR SYSTEMS ARE FACTORY PRE-PROGRAMMED AND LABELED.
- 3) FLEXIBLE CONNECTORS RECOMMENDED BETWEEN THE SOFTENERS AND HARD PIPING.
- 4) CAUTION: THE SOFTENERS CANNOT BE SUBJECT TO A VACUUM DUE TO A LOSS OF PRESSURE (SUCH AS A WATER MAIN BREAK OR SUBMERSIBLE WELL PUMP CHECK VALVE FAILURE). INSTALLATION OF A VACUUM BREAKER ON THE INLET PIPING IS STRONGLY RECOMMENDED.
- 5) CAUTION: DO NOT LOCATE THE SOFTENERS WHERE THEY OR THEIR CONNECTIONS (INCLUDING DRAIN LINES AND OVERFLOW LINE) WILL EVER BE SUBJECT TO ROOM TEMPERATURES UNDER 40° F.

NOT INTENDED TO BE AN INSTALLATION DRAWING.
FOLLOW ALL LOCAL PLUMBING CODES.

7-TALX2QC SERIES TWIN ALTERNATING SOFTENER SYSTEMS SPECIFICATIONS

2" TWIN ALTERNATING SYSTEM # :	7-TALX2QC-240	7-TALX2QC-300	7-TALX2QC-360	7-TALX2QC-420	7-TALX2QC-480	7-TALX2QC-540	7-TALX2QC-600	7-TALX2QC-600	7-TALX2QC-900	7-TALX2QC-1200
SERVICE FLOW (GPM) Continuous @ 15 PSI Pressure Drop Peak @ 25 PSI Pressure Drop	48 61	75 97	72 92	68 88	77 100	76 98	75 97	88 113	88 113	97 126
Softener Diameter x Height (inches) Mineral Tank Size Resin per tank (cu. ft.)	16 x 77 16 x 65 4	21 x 79 21 x 62 5	21 x 79 21 x 62 6	21 x 79 21 x 62 7	24 x 85 24 x 72 8	24 x 85 24 x 72 9	24 x 85 24 x 72 10	30 x 84 30 x 72 15	30 x 84 30 x 72 15	36 x 85 36 x 72 20
Brine Tank Diameter x Height (inches) Brine Tank Capacity (Lbs salt)	24 x 50 800	24 x 50 800	24 x 50 800	24 x 50 800	30 x 50 1250	30 x 50 1250	30 x 50 1250	39 x 48 2150	39 x 48 2150	39 x 48 2150
BACKWASH (GPM)	6.5	10	10	10	15	15	15	25	25	35
EXCHANGE CAPACITY per Regeneration * Minimum (grains) Maximum (grains)	96,000 120,000	120,000 150,000	144,000 180,000	168,000 210,000	192,000 240,000	216,000 270,000	240,000 300,000	360,000 450,000	360,000 450,000	480,000 600,000

* Factory Setting

THIS DRAWING IS THE PROPERTY OF C-B TOOL CO. AND IS NOT TO BE COPIED OR USED OR DISCLOSED TO OTHERS BY THE RECEIVER WITHOUT WRITTEN AUTHORIZATION BY C-B TOOL CO.

REV.	DESCRIPTION	DATE	BY

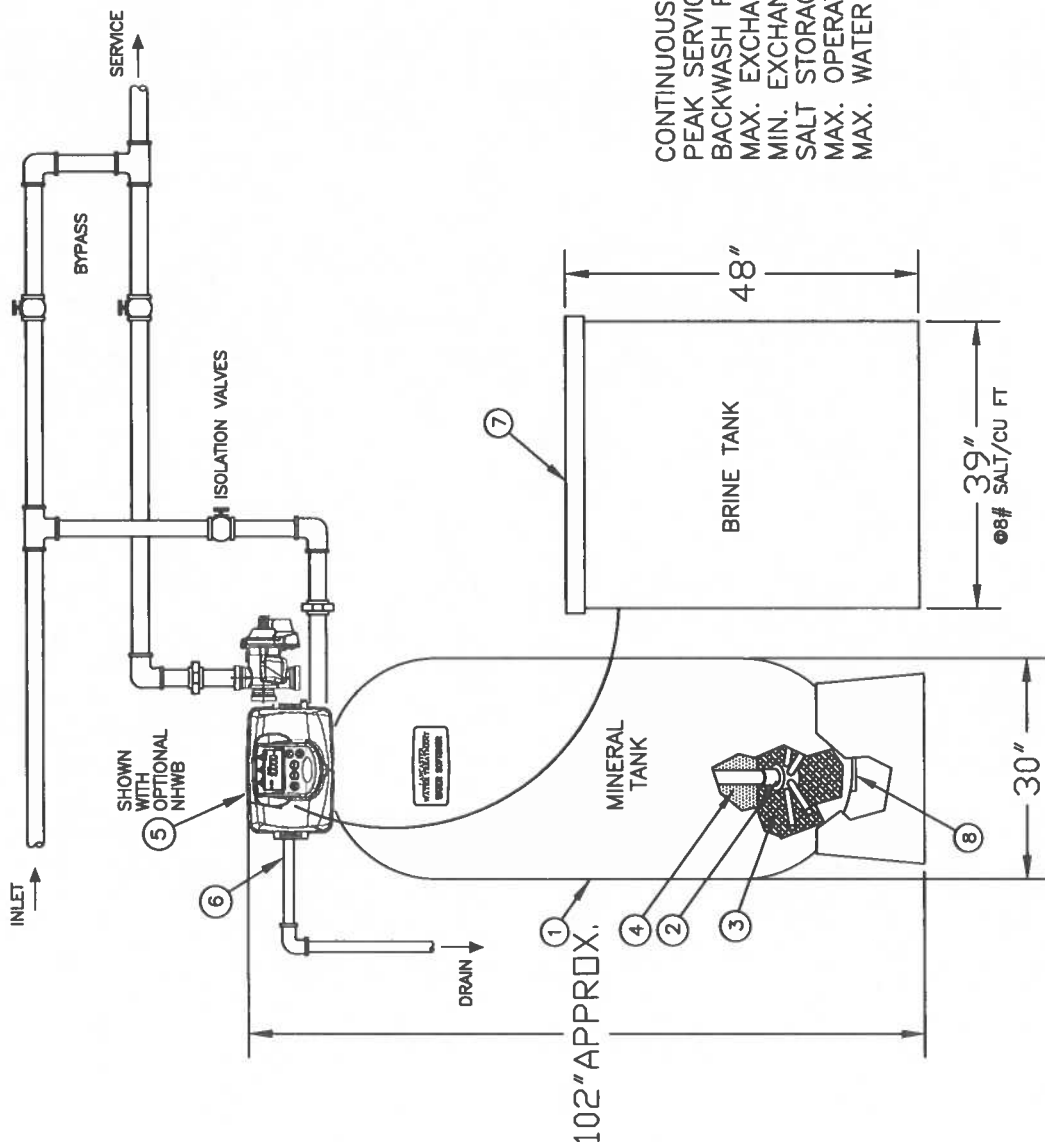
DIMENSIONS ARE APPROXIMATE FOR ESTIMATING ONLY.
ALL DIMENSIONS ARE IN INCHES.

LANCASTER WATER TREATMENT
LANCASTER PUMP DIVISION
1340 MANHEIM PIKE LANCASTER, PA. 17601

DWG. (PART) NAME: 2" COMMERCIAL
TWIN ALTERNATOR SYSTEM
TWO WATER SOFTENERS, ONE BRINE TANK, ONE METER
DWG. (PROCESS) TYPE: GENERAL SPECIFICATIONS

DRAWN BY: JCC/71
APP'D BY: [Signature]
SIZE: B 1 OF 1
DATE: 6-22-23
SCALE: NA
REV. 7-TALX2QC

COMPONENT LIST		
ITEM NO.	DESCRIPTION	QTY.
1	MINERAL TANK: 30"x72" COMPOSITE CONSTRUCTION RATED AT 150 PSI	1
2	DISTRIBUTOR ASSEMBLY- 2" HUB AND LATERAL	1
3	GRAVEL	240 LBS.
4	RESIN	15 CU FT
5	WS3 CONTROL VALVE: METERED BRASS CONSTRUCTION 3" INLET/OUTLET 3" DRAIN	1
6	2" FPT FLOW CONTROL: 25 GPM	1
7	BRINE TANK W/LID: POLYETHYLENE CONSTRUCTION 39"x48"	1



CONTINUOUS SERVICE FLOW RATE (15 PSI LOSS).....144 GPM
 PEAK SERVICE FLOW RATE (25 PSI LOSS).....186 GPM
 BACKWASH FLOW RATE.....25 GPM
 MAX. EXCHANGE CAPACITY @15# SALT/CU FT.....450,000 GR
 MIN. EXCHANGE CAPACITY @8# SALT/CU FT.....360,000 GR
 SALT STORAGE.....2150 LBS
 MAX. OPERATING TEMPERATURE.....110° F
 MAX. WATER PRESSURE.....125 PSI

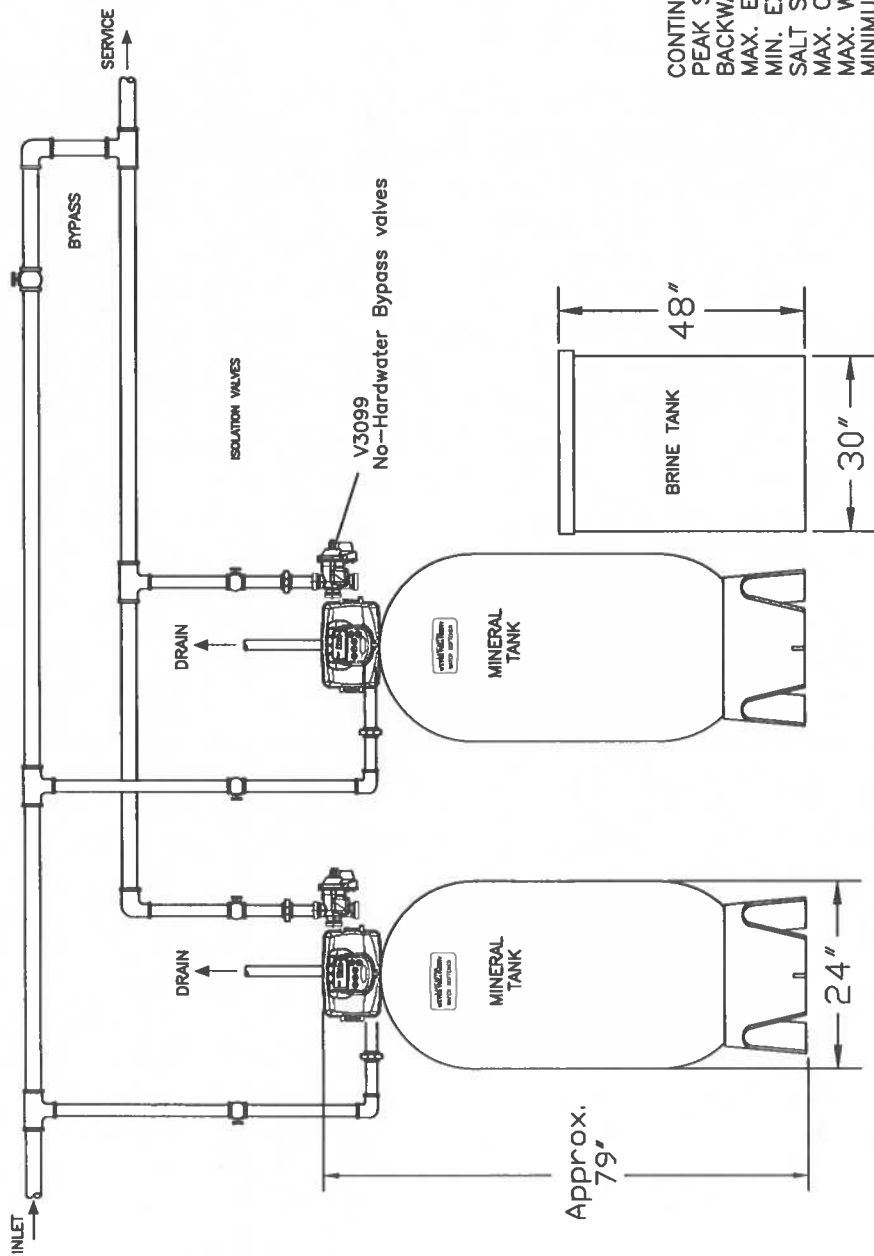
Notes: This drawing is not intended to be an installation drawing. It is for reference only. Follow all local plumbing and electrical codes. Installer needs to install inlet and outlet isolation ball valves with a three valve bypass. It is recommended to have some unions in the plumbing. Piping not included. Inlet water must be at least 25 psi during regeneration.

LANCASTER WATER TREATMENT	
LANCASTER PUMP DIVISION C-B TOOL COMPANY 1340 MANHEIM PIKE LANCASTER, PA. 17601	
DWG./PART/NAME	COMMERCIAL SOFTENER
MATERIAL	3" VALVE, METERED
DATE	30 JULY 12
DRAWN BY	DLR
APPROVED BY	B
SCALE	NA
DWG. PART/NO.	7-WS3-450

REV.	DESCRIPTION	DATE	BY
	THIS DRAWING IS THE PROPERTY OF C-B TOOL CO. AND IS NOT TO BE COPIED OR USED OR DISCLOSED TO OTHERS BY THE RECEIVER WITHOUT WRITTEN AUTHORIZATION BY C-B TOOL CO.		

COMPONENT LIST		
ITEM NO.	DESCRIPTION	QTY.
1	MINERAL TANK: 24" x 65" COMPOSITE CONSTRUCTION	2
2	DISTRIBUTOR ASSEMBLY-- 3" HUB AND LATERAL	2
3	GRAVEL (total)	320 LBS.
4	RESIN (total)	16 CU FT
5	WS3H CONTROL VALVE: METERED, BRASS CONSTRUCTION 3" INLET/OUTLET 3" DRAIN	2
6	FLOW CONTROL: 15 GPM	2
7	BRINE TANK W/LID: POLYETHYLENE CONSTRUCTION 30" dia x 50" ht	1

CONTINUOUS SERVICE FLOW RATE (15 PSI LOSS).....111-222 GPM
 PEAK SERVICE FLOW RATE (25 PSI LOSS).....143-186 GPM
 BACKWASH FLOW RATE.....15 GPM
 MAX. EXCHANGE CAPACITY @15# SALT/CU FT.....256,000 GR EA TANK
 MIN. EXCHANGE CAPACITY @8# SALT/CU FT.....192,000 GR EA TANK
 SALT STORAGE.....1250 LBS
 MAX. OPERATING TEMPERATURE.....110° F
 MAX. WATER PRESSURE.....125 PSI
 MINIMUM DETECTABLE FLOW RATE.....3.5 GPM



Duplex Alternating system consists of two 24" diameter x65" height composite mineral tanks.

Notes: This drawing is not intended to be an installation drawing. It is for reference only. Follow all local plumbing and electrical codes. Installer needs to install inlet and outlet isolation ball valves with a three valve bypass. It is recommended to have some unions in the plumbing.
 Piping not included.
 Inlet water must be at least 25 psi during regeneration.

LANCASTER WATER TREATMENT
 LANCASTER PUMP DIVISION C-B TOOL COMPANY
 1340 MANHEIM PIKE LANCASTER, PA. 17601

DWG.(PART)NAME: **COMMERCIAL SOFTENER**
 MATERIAL: **3" VALVE, METERED**

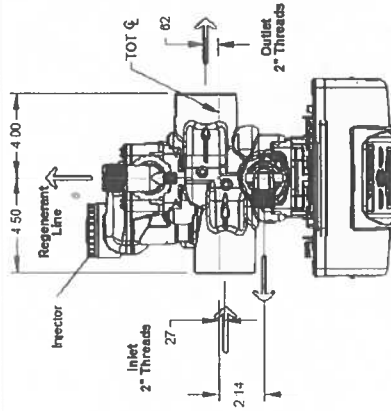
DRAWN BY: **DLR** DATE: **22JUN15** DWG.(PART)NO.: **7-TAWS3-2465**
 APP'D BY: **B** SCALE: **NA**

REV.	DESCRIPTION	DATE	BY
	THIS DRAWING IS THE PROPERTY OF C-B TOOL CO. AND IS NOT TO BE COPIED OR USED OR DISCLOSED TO OTHERS BY THE RESENER WITHOUT WRITTEN AUTHORIZATION BY C-B TOOL CO.		

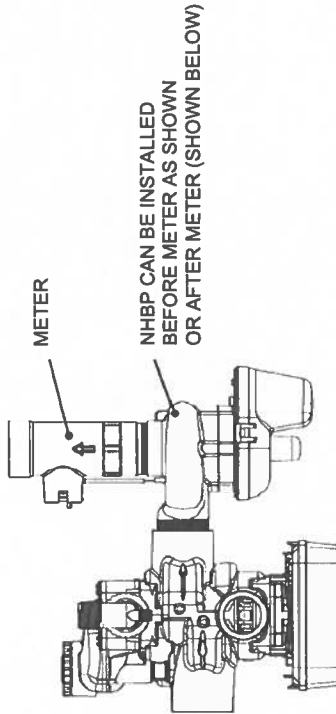
2" COMMERCIAL QUADPLEX PARALLEL PROGRESSIVE FLOW SYSTEM MODEL 7-4PPLX2QC-840

FOUR IDENTICAL SOFTENERS, EACH WITH ITS OWN METER; FOUR BRINE TANKS. METER IMMEDIATE REGENERATION USED.

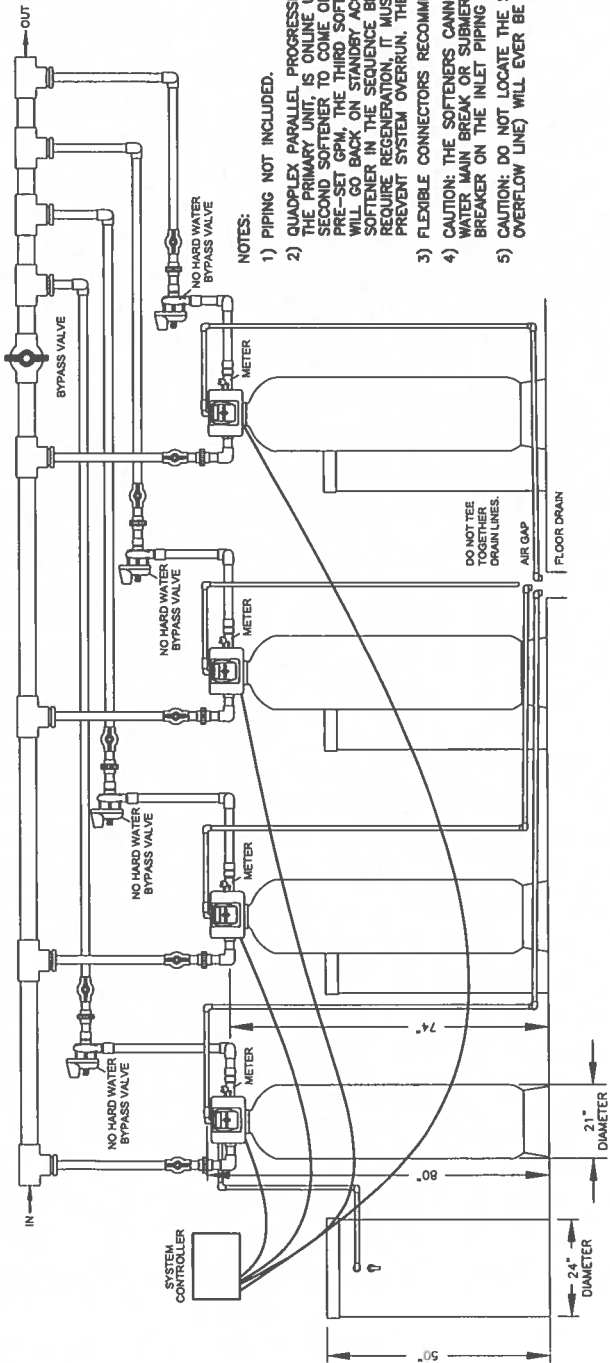
ALL SOFTENERS CAN BE ONLINE FOR FOUR TIMES THE SERVICE FLOW RATE AND EXCHANGE CAPACITY OF A SINGLE SOFTENER.



LXC2QC CONTROL VALVE TOP VIEW



LXC2QC CONTROL VALVE TOP VIEW (NHP) WITH NO HARD WATER BYPASS VALVE



- NOTES:
- 1) PIPING NOT INCLUDED.
 - 2) QUADPLEX PARALLEL PROGRESSIVE SYSTEMS ARE FACTORY PRE-PROGRAMMED. ONLY ONE SOFTENER, KNOWN AS THE PRIMARY UNIT, IS ONLINE UNTIL THE SERVICE FLOW RATE INCREASES PAST A PRE-SET GPM FOR THE SECOND SOFTENER TO COME ONLINE. IF THE SECOND SOFTENER SERVICE FLOW RATE INCREASES BEYOND THE PRE-SET GPM, THE THIRD SOFTENER WILL COME ONLINE, ETC. AS THE SERVICE FLOW RATE DECREASES, SOFTENERS WILL GO BACK ON STANDBY ACCORDINGLY. WHEN THE PRIMARY UNIT GOES INTO REGENERATION, THE NEXT SOFTENER IN THE SEQUENCE BECOMES THE PRIMARY UNIT. SHOULD ANOTHER UNIT BECOME THE PRIMARY UNIT, IT WILL REQUIRE REGENERATION. IT MUST REMAIN ONLINE UNTIL THE PREVIOUS UNIT HAS BEEN FULLY REGENERATED AND/OR PREVENT SYSTEM OVERRUN. THE PRE-SET GPM UNIT ADD-POINT IS TYPICALLY 60% OF GPM @ 15 PSI.
 - 3) FLEXIBLE CONNECTORS RECOMMENDED BETWEEN THE SOFTENERS AND HARD PIPING.
 - 4) CAUTION: THE SOFTENERS CANNOT BE SUBJECT TO A VACUUM DUE TO A LOSS OF PRESSURE (SUCH AS A WATER MAIN BREAK OR SURVERSIBLE WELL PUMP CHECK VALVE FAILURE). INSTALLATION OF A VACUUM BREAKER ON THE INLET PIPING IS STRONGLY RECOMMENDED.
 - 5) CAUTION: DO NOT LOCATE THE SOFTENERS WHERE THEY OR THEIR CONNECTIONS (INCLUDING DRAIN LINES AND OVERFLOW LINE) WILL EVER BE SUBJECT TO ROOM TEMPERATURES UNDER 40° F.

REV. DESCRIPTION DATE BY

Operating Water Pressure Range: 20 PSI to 125 PSI.
 Operating Water Temperature Range: 40°F to 110°F.
 No Plug-in DC Adaptors are required on individual valves, all connected valves will be powered by the System Controller.
 Supply Voltage (+/- 10% of Nominal) 120V AC - 60 Hz. (U.S.)
 LXC2QC Control Valves Inlet / Outlet / Drain Port: 2" FPT / 2" FPT / 1.5" FPT.
 Drain Line Adaptor Fitting Connection Size 1.5" FPT.
 LXC2QC Control Valves Distributor Pipe Pilot 2.375" OD (2" NPS).
 HDPE Lined Composite Fiberglass Filament Wound Mineral Tanks, 4" Top Opening.
 4"-8 UN QC Base Assemblies for Control Valves Top Mount.
 2" NPT Meters Flow Range: Accuracy: 1.5 GPM to 150 GPM; +/- 5%.

2" QUADPLEX PARALLEL PROGRESSIVE SYSTEM #: 7-4PPLX2QC-840	
SINGLE TANK SERVICE FLOW (GPM)	32
Continuous @ 8 PSI Pressure Drop	66
Continuous @ 15 PSI Pressure Drop	88
Peak @ 25 PSI Pressure Drop	
Softener Diameter x Height (inches)	21 x 80
Mineral Tank Size	21 x 62
Resin per tank (cu. ft.)	7
Brine Tank Diameter x Height (inches)	24 x 50
Brine Tank Capacity (Lbs salt)	800
BACKWASH (GPM)	10
EXCHANGE CAPACITY per Regeneration	
* Minimum (grains) each tank	166,000
* Maximum (grains) each tank	210,000

* Factory Setting

DIMENSIONS ARE APPROXIMATE FOR ESTIMATING ONLY.
 ALL DIMENSIONS ARE IN INCHES.
 DRAWN FOR CLARITY ONLY.

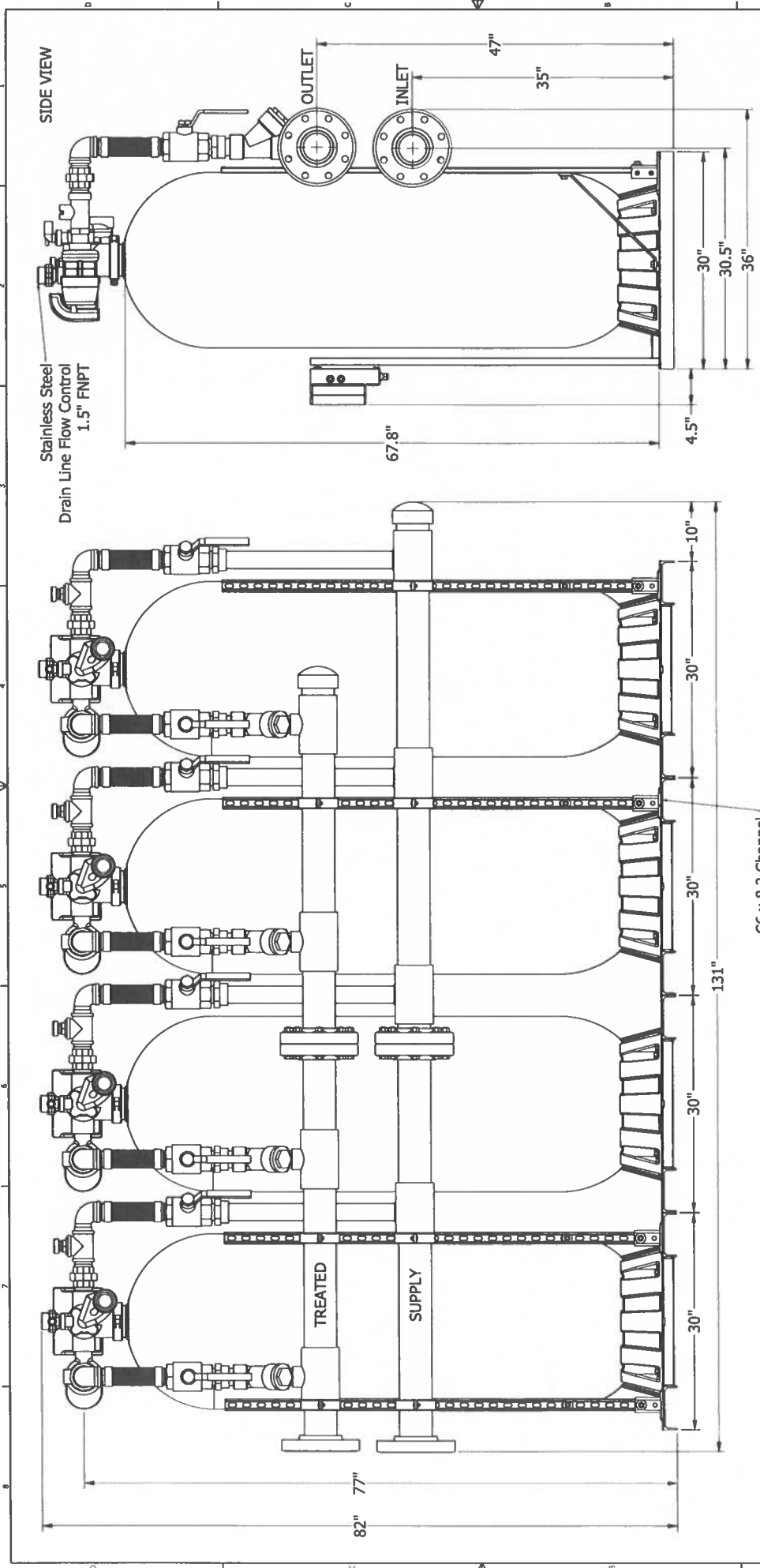
NOT INTENDED TO BE AN INSTALLATION DRAWING.
 FOLLOW ALL LOCAL PLUMBING CODES.

LANCASTER WATER GROUP

DWG. PART NAME: 2" COMMERCIAL
 QUADPLEX PARALLEL PROGRESSIVE SYSTEM
 FOUR WATER SOFTENERS, FOUR METERS, FOUR BRINE TANKS
 DWG. PROCESS TYPE: GENERAL SPECIFICATIONS

LANCASTER WATER TREATMENT	LANCASTER, PA. 17601
1340 MARKET PLACE	LANCASTER, PA. 17601
DATE	5/13/21
SCALE	NA
DWG. PART NO.	7-4PPLX2QC-840
REV.	

DRAWN BY: JMD/ld
 APPD BY: JMD/ld
 SHEET: 1 OF 1
 SIZE: B



(EXCEPT AS NOTED) ALL DIMENSIONS IN INCHES TOLERANCES		LANCASTER WATER GROUP LANCASTER PUMP LANCASTER WATER TREATMENT C&S TOOL COMPANY	
DWG. (PART) NAME	DWG. (PROCESS) TYPE	7-APPLX2QC-600, -720, -840 Dimensional	
DWG. NO. 7-415	MATERIAL N/A	DATE 7/20/2022	DWG. (PART) NO. 7-APPLX2QC-600, -720, -840
FRACTIONAL 8/104	DRAWN BY	SHEET 2 OF 2	SCALE 1 : 1
ANGULAR ± 2°	SIZE	THIS DRAWING IS THE PROPERTY OF C&S TOOL CO. AND IS NOT TO BE COPIED OR LOANED OR DISCLOSED TO OTHERS BY THE RECEIVER WITHOUT WRITTEN AUTHORIZATION BY C&S TOOL CO.	
DO NOT SCALE DRAWINGS			

INLET and OUTLET:
 4" PVC Van Stone Flange
 SCH 80 Female Socket-Connect

C6 x 8.2 Channel

NOTES:
 1) DIMENSIONS ARE APPROXIMATE FOR ESTIMATING ONLY
 2) QUANTITY FOUR (4) 30" X 30" BASE PLATE WELDED ASSEMBLIES ARE NOT WELDED TO EACH OTHER

7-4PPLX2QC-600, -720, -840
Dimensional Drawing

