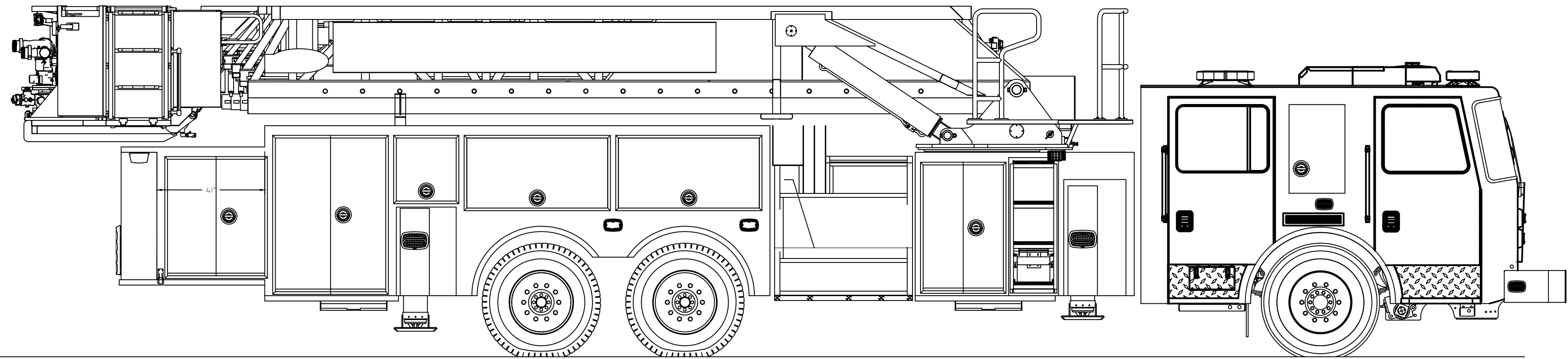
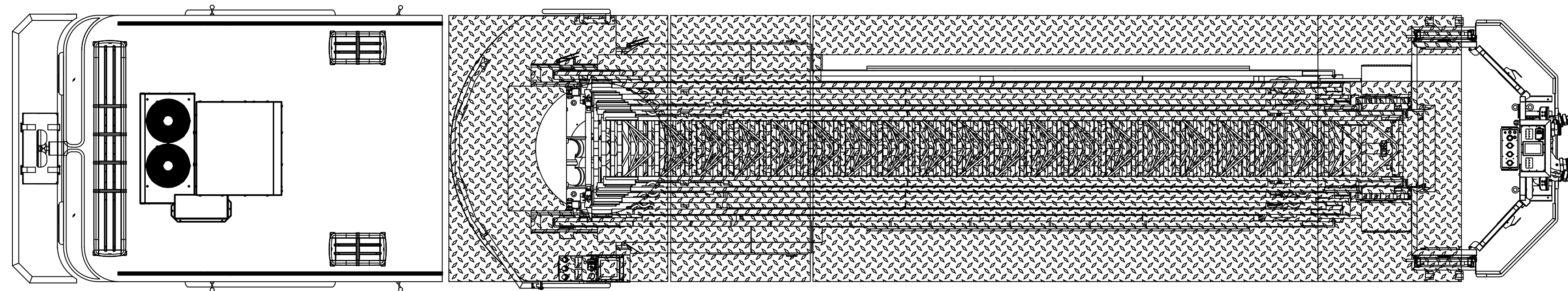


132" [11']  
MAXIMUM  
OVERALL  
HEIGHT

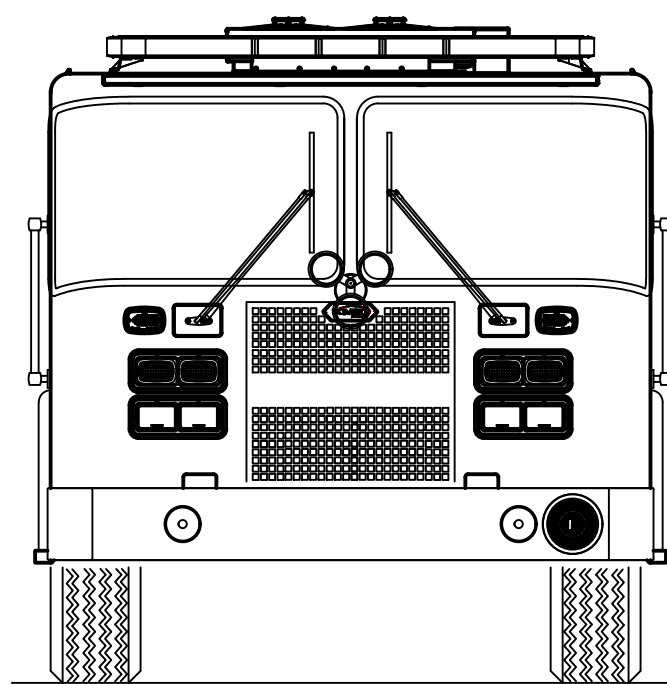
REAR VIEW



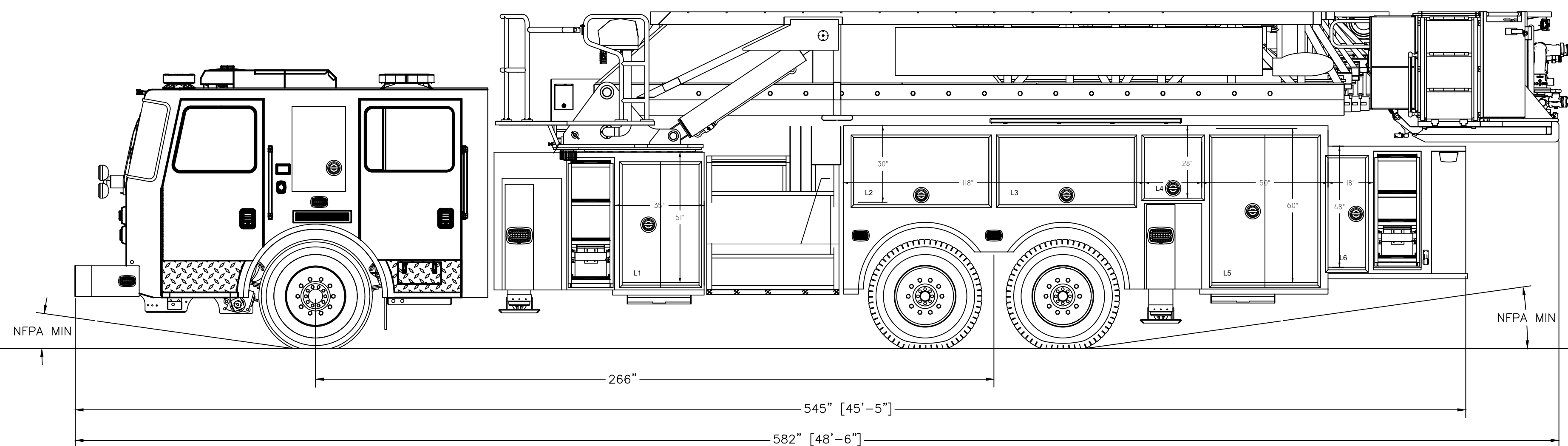
OFFICER SIDE VIEW



PLAN VIEW



FRONT VIEW



DRIVER SIDE VIEW

SYM	DATE	REVISION DESCRIPTION	APP'D
SALES ENGINEER :			

DIMENSIONS ARE APPROXIMATE & MAY VARY DUE TO BUILD ADJUSTMENTS			
SCALE	DWG SIZE	DRAWN BY	DATE
NONE	B	J BEHLER	07JUN23
APPROVED BY			
102' MID MOUNT PLATFORM			
Town of Swansboro Fire Department			
QUOTE 09517			

