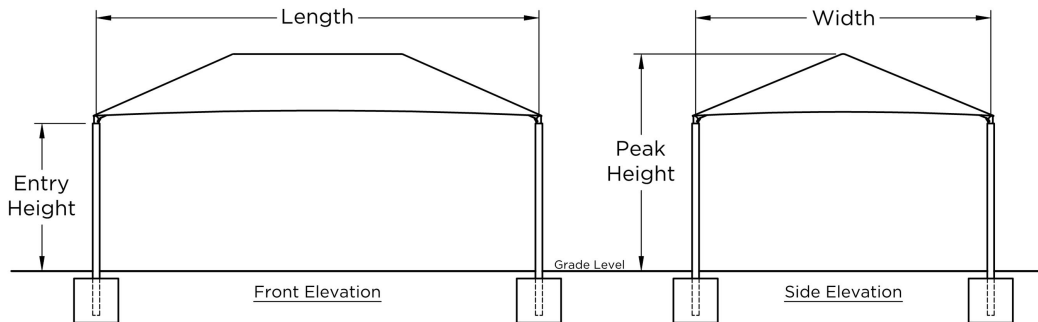
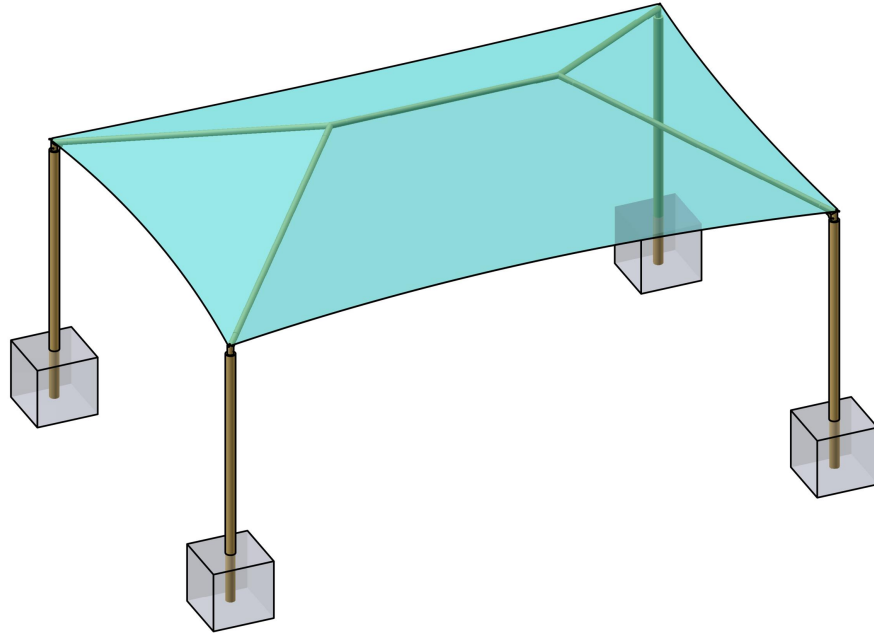
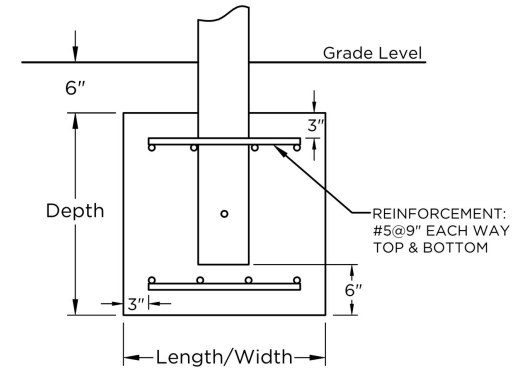


Hip Shade

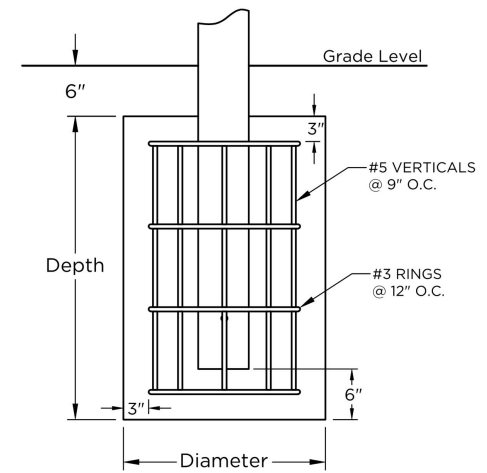
Length	20'	Width	16'	Entry Height	8'
Peak Height	11.23'	Elbow	Standard	Column Mount	Embedded
Column Size	Ø5.0" 11-Ga	Rafter Size	Ø2.875" 12-Ga	Ridge Size	Ø2.875" 12-Ga
Column Length	11'	Rafter Length	11.37'	Ridge Length	5.17'
Dome Qty.	1	Column Qty.	4		



Square Footing		
Column	Length & Width	Depth
Single Cap	2.26	3
Double Cap	N/A	3



Auger Footing		
Diameter	Single Cap Depth	Double Cap Depth
1'-6"		
2'-0"	3.92	N/A
2'-6"	Out of range	N/A
3'-0"	Out of range	N/A



SuperiorShade

QUOTE

SHADE SIZE

20 X 16

SHADE STYLE

Hip Shade

These drawings are for reference only and should not be used as construction details. They show the general character and rough dimensions of the structural features. Exact spans, fasteners, materials, and foundations can be determined by a licensed professional engineer upon request. Estimated footing size above is based on 1,500 PSF soil bearing pressure.