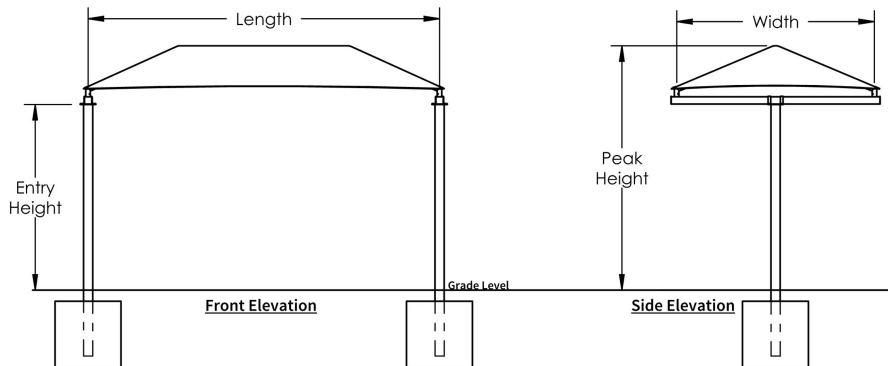
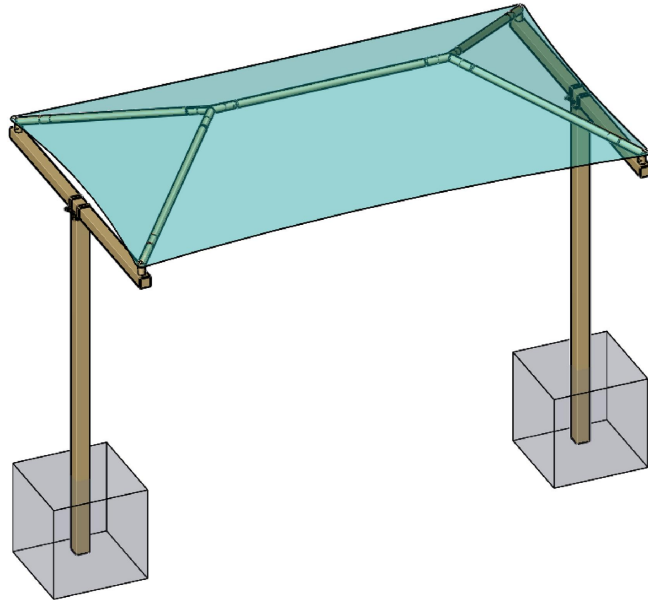
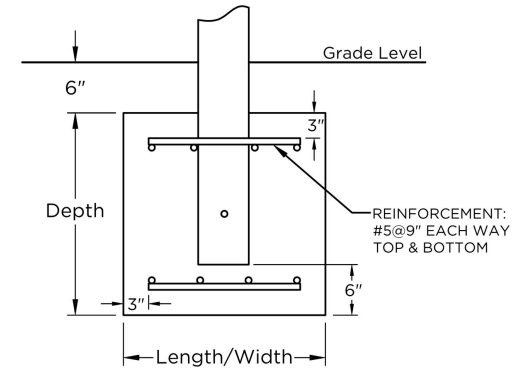


Tee Cantilever Hip Shade

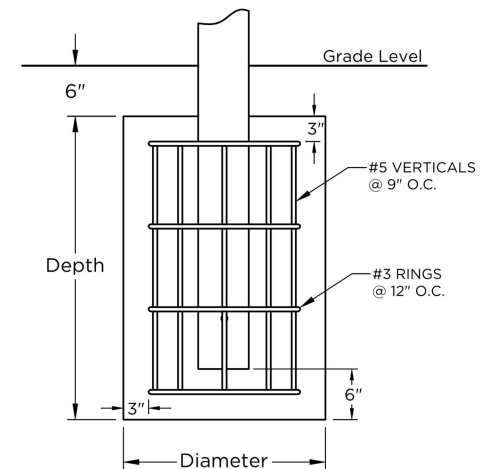
Length	14'	Width	14'	Entry Height	8'
Peak Height	10.59'	Elbow	Glide	Column Mount	Embedded
Column Size	Ø5.0" 11-Ga	Rafter Size	Ø2.5" 12-Ga	Ridge Size	Ø2.5" 12-Ga
Column Length	11'	Rafter Length	9.13'	Ridge Length	3.5'
Dome Qty.	1	Column Qty.	2	Beam Size	5"x5"x3/16"



Square Footing		
Column	Length & Width	Depth
Single Cap	2.51	3
Double Cap	N/A	3



Auger Footing		
Diameter	Single Cap Depth	Double Cap Depth
1'-6"		
2'-0"	4.8	N/A
2'-6"	3.07	N/A
3'-0"	Out of range	N/A



SuperiorShade

QUOTE

SHADE SIZE

14 X 14

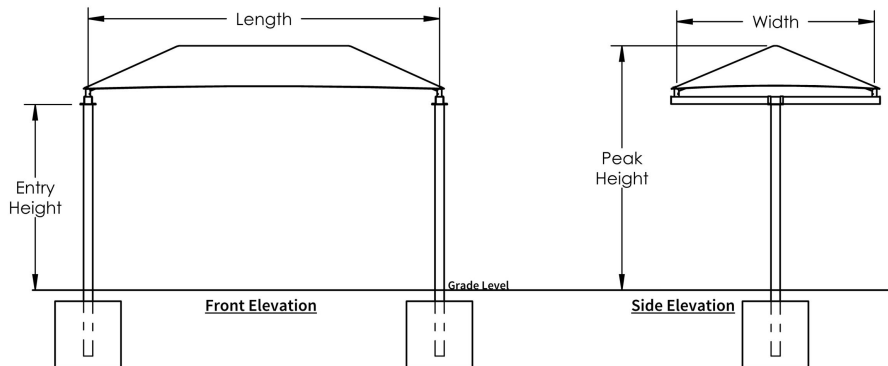
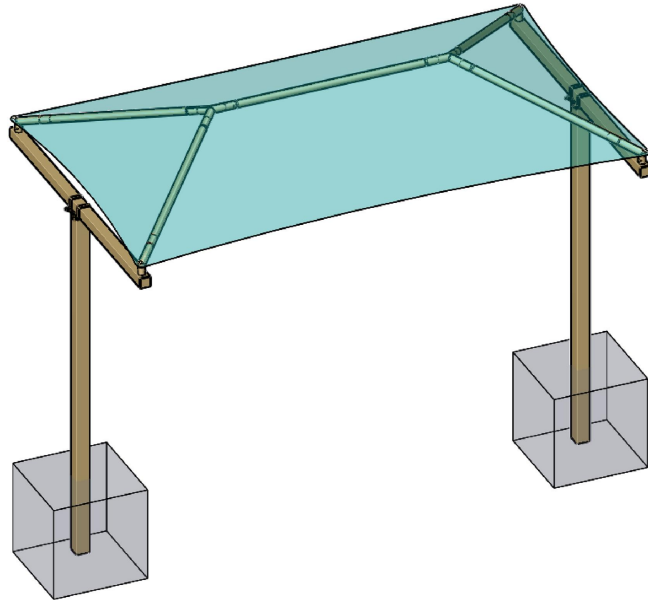
SHADE STYLE

**Tee Cantilever
Hip Shade**

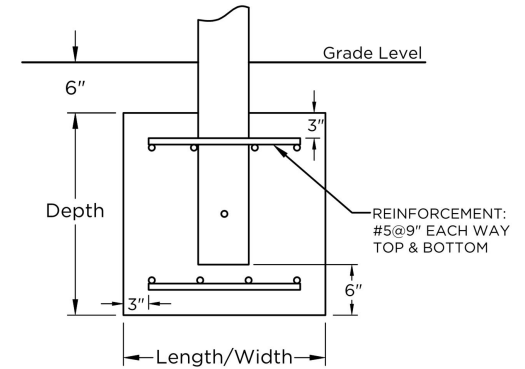
These drawings are for reference only and should not be used as construction details. They show the general character and rough dimensions of the structural features. Exact spans, fasteners, materials, and foundations can be determined by a licensed professional engineer upon request. Estimated footing size above is based on 1,500 PSF soil bearing pressure.

Tee Cantilever Hip Shade

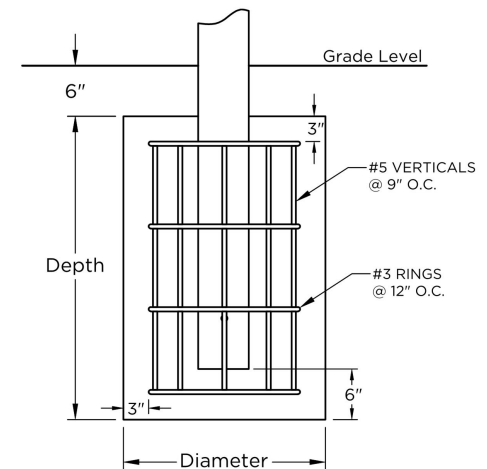
Length	18'	Width	18'	Entry Height	8'
Peak Height	11.33'	Elbow	Glide	Column Mount	Embedded
Column Size	5"x5"x1/4"	Rafter Size	Ø2.875" 12-Ga	Ridge Size	Ø2.875" 12-Ga
Column Length	11'	Rafter Length	11.73'	Ridge Length	4.5'
Dome Qty.	1	Column Qty.	2	Beam Size	5"x5"x1/4"



Square Footing		
Column	Length & Width	Depth
Single Cap	3.22	3
Double Cap	N/A	3



Auger Footing		
Diameter	Single Cap Depth	Double Cap Depth
1'-6"		
2'-0"	Out of range	N/A
2'-6"	5.08	N/A
3'-0"	3.53	N/A



SuperiorShade

QUOTE

SHADE SIZE

18 X 18

SHADE STYLE

**Tee Cantilever
Hip Shade**

These drawings are for reference only and should not be used as construction details. They show the general character and rough dimensions of the structural features. Exact spans, fasteners, materials, and foundations can be determined by a licensed professional engineer upon request. Estimated footing size above is based on 1,500 PSF soil bearing pressure.



Product Description

Keep the interference of posts to a minimum with the T-Cantilever shade. The T-Cantilever style shade is so versatile it can be installed everywhere from parking lots to sports parks — it can keep the cars in your parking lot or the fans at your sports park cool.

T-Cantilever shades can cover a large area. The columns can be spaced up to 27 ft. apart before more canopy bays are required.

Standard Features

- 8 ft., 10 ft., 12 ft. Entry Heights
- Surface or In-Ground Mount
- With or Without Glide Elbow™
- Traditional Shade Fabric, Waterproof Shade Fabric
- Size Minimum: 10'
- Size Maximum: 100'
- 20-Year Warranty on Framework

10-Year Warranty on Fabric

Custom Options

This style is custom made for your location and is available in a variety of sizes.

Coastal or Northern Customers:

For customers in coastal areas or northern climates, we recommend adding our optional Glide Elbow™ fabric tensioning accessory. Not only does this accessory makes it easier to install and tension your fabric, but it also makes it easier to remove the fabric in the event of bad weather. Remove fabric before bad weather, such as heavy snow or hurricanes, to protect the shade's fabric and frame. Our frames are rated for wind gusts up to 150 mph when the shade's fabric is removed.

Quick Highlights

Product Resources:

[Color Options](#)

[General Product Specifications](#)

[Warranty](#)