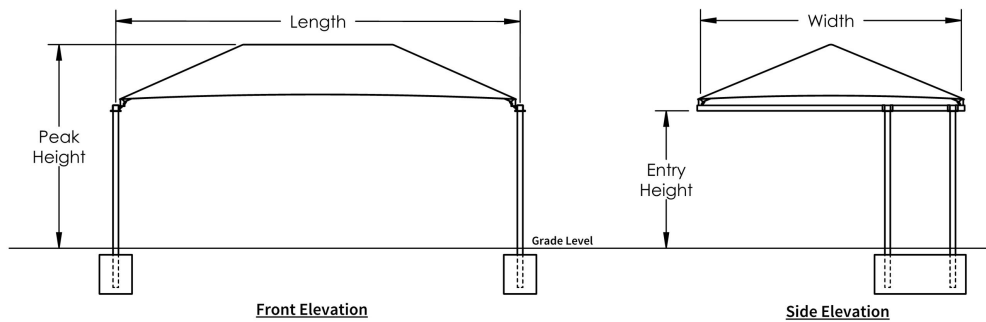
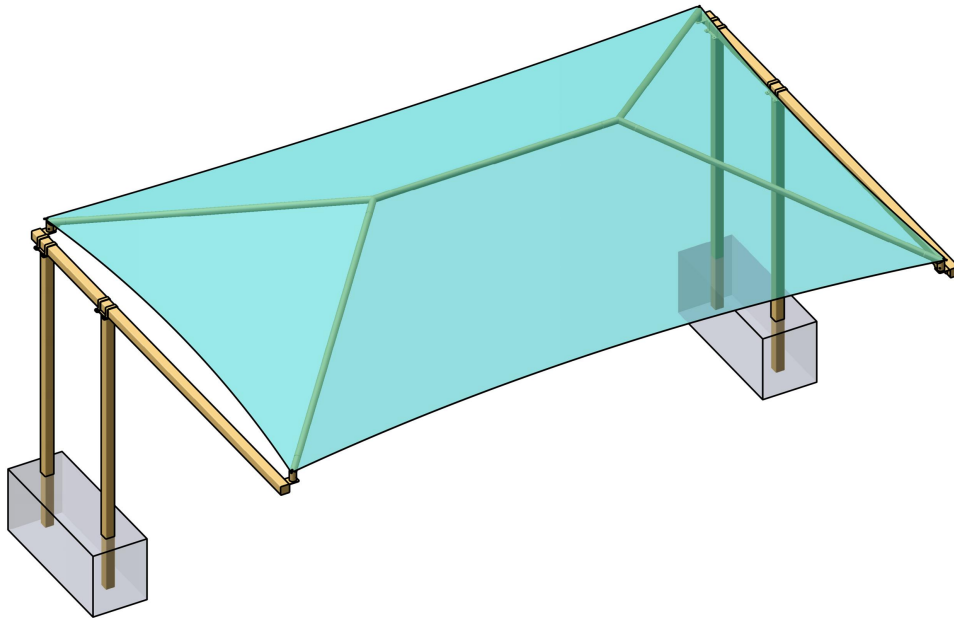
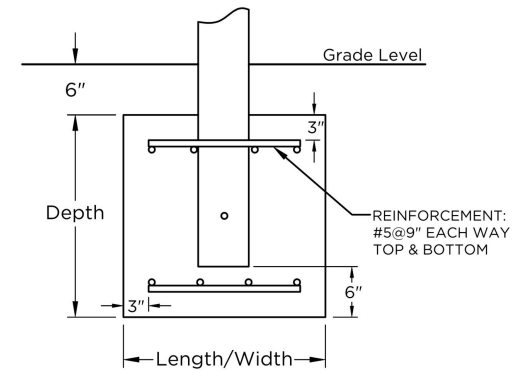


Standard Cantilever Hip Shade

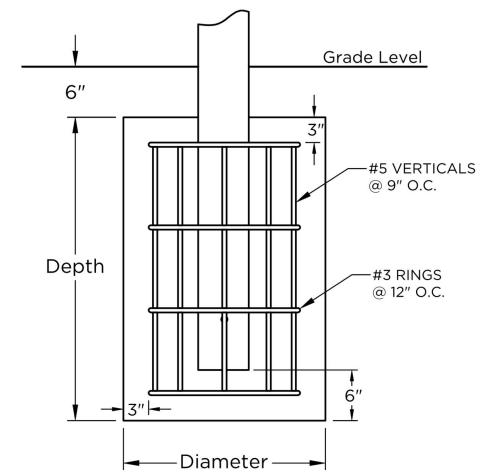
Length	20'	Width	20'	Entry Height	8'
Peak Height	11.7'	Elbow	Glide	Column Mount	Embedded
Column Size	Ø5.0" 11-Ga	Rafter Size	Ø3.5" 11-Ga	Ridge Size	Ø3.5" 11-Ga
Column Length	11'	Rafter Length	13.04'	Ridge Length	5'
Dome Qty.	1	Column Qty.	4	Beam Size	6"x6"x1/4"



Square Footing		
Column	Length & Width	Depth
Single Cap	2.89	3
Double Cap	N/A	3



Auger Footing		
Diameter	Single Cap Depth	Double Cap Depth
1'-6"		
2'-0"	Out of range	N/A
2'-6"	4.08	N/A
3'-0"	Out of range	N/A



SuperiorShade

QUOTE

SHADE SIZE

20 X 20

SHADE STYLE

Standard Cantilever
Hip Shade

These drawings are for reference only and should not be used as construction details. They show the general character and rough dimensions of the structural features. Exact spans, fasteners, materials, and foundations can be determined by a licensed professional engineer upon request. Estimated footing size above is based on 1,500 PSF soil bearing pressure.



Product Description

The Standard Cantilever is a great solution for shading walkways, bleachers, and bus stop seating. Because the columns are on one side of the shade, the Standard Cantilever is also a good option for shading vehicles. What's more, this style is one of the most economical ways of shading cars and parking lots. With this shade being so versatile, you can't go wrong selecting it for your shade needs. Some common sizes include 18'x20', 18'x27', and 18'x36'.

Standard Features

8 ft., 10 ft., 12 ft. Entry Heights
Surface or In-Ground Mount
With or Without Glide Elbow™
Traditional Shade Fabric
Size Minimum: 18'

Size Maximum: 36'
20-Year Warranty on Framework
10-Year Warranty on Fabric

Custom Options

Coastal or Northern Customers:

For customers in coastal areas or northern climates, we recommend adding our optional Glide Elbow™ fabric tensioning accessory. Not only does this accessory makes it easier to install and tension your fabric, but it also makes it easier to remove the fabric in the event of bad weather. Remove fabric before bad weather, such as heavy snow or hurricanes, to protect the shade's fabric and frame. Our frames are rated for wind gusts up to 150 mph when the shade's fabric is removed.

Quick Highlights

Product Resources:

[Color Options](#)

[General Product Specifications](#)

[Downloadable CAD & 3D Files](#)

[Glide Elbow Quick Release](#)

[Warranty](#)