



STEPHENVILLE CITY PARK

LED PROPOSAL



Jacob Fulbright

jacob@sportlighting.com

(903) 407-5899

Purchasing Co-Op / Contract #:		BuyBoard Contract #: 677-22 (Expires 9/30/25)	
Project Name:		Stephenville City Park	
Project City-State:		Stephenville, TX	
Quote Date:		1/30/2025	
Type of Field(s):		Football/Softball	
Photometrics Per Design #:		30 FC Light Level / 24-20088-FB-SB-A	
Warranty:		10 Year Maintenance <u>FREE</u>	

Quantity	Description
5	60 Foot Mounting Height Steel Poles (L)
2	11 Fixture Crossarms (7/4 back to back)
1	12 Fixture Crossarms
1	14 Fixture Crossarms (7/7 back to back)
1	16 Fixture Crossarms (12/4 back to back)
64	TSL800W LED w/ Standard Visor
1	EcoLink Wireless Control System - Additional Wireless Node(s) - Wall Mount Near Contactor Cabinet
64	Prewiring for Poles and Crossarms (On/Off Controls Only)

<p>Project Notes:</p> <ul style="list-style-type: none"> > Price includes all materials listed above (excluding adders & deducts). > Price includes delivery to jobsite. > Price firm for 45 days. > Allow 4-6 weeks for delivery. > Price does <u>NOT</u> include SALES or USE taxes. > All work to be performed that requires a license, including but not limited to electrical & plumbing will be performed by individuals currently licensed in the proper jurisdiction.
--

<p>Warranty Notes:</p> <ul style="list-style-type: none"> > Seller warrants that Equipment furnished or manufactured by Seller will be free from defects in material and workmanship for a period - of <u>10 years</u> from date of shipment. > Seller will replace any defective material for the entire <u>10 year</u> period. > Techline will make every effort to maintain any component of our sports lighting system for the entirety of the warranty period.
--

<p>TURNKEY Installation Notes:</p> <ul style="list-style-type: none"> > Allow 3-4 weeks for Turnkey Installation. > Pole locations must also be accessible with standard lift and not obstructed by fencing, buildings, etc. (<i>special lift & matting charges not included</i>) > Locating and marking of all PRIVATE utilities to include water, sewer, electrical, gas & irrigation is the sole responsibility of the owner/customer. Techline will not be responsible for locating these utilities. Repairing any unmarked utilities, landscaping or sod is the sole responsibility of the owner/customer. > If matting is required for access to pole locations due to wet or poor site conditions additional charges may apply. > Standard turnkey install foundations assume 2000psi soil conditions. >> (<i>Any other conditions that may be present upon installation (i.e. rock, water, etc.) that cause additional foundation design or modification - (i.e. rebar, casing, etc.) may require additional charges.</i>) <p><input checked="" type="checkbox"/> INCLUDES:</p> <ul style="list-style-type: none"> ✓ Demolition & Disposal of existing sports lighting system / fixtures. ✓ Auguring pole foundation holes, setting all pole stubs in holes, center/plumb/brace and backfill with 3000psi concrete ✓ Build out pole tops including mounting cross arm assemblies, mount & wire all fixtures in place, crane rental to set all pole tops in - place, fixture aiming, commissioning of controls, control training, and final clean up. ✓ Install individual conduit and wiring for each pole sized accordingly. No more than 3% voltage drop shall be allowed. ✓ All wiring to be copper type THHN. ✓ Installing controls (if supplied) based on 480V 3Ø service being available within 150' of field. ✓ All permits, fees and inspections associated with the project. ✓ All electrical installation to meet National Electric Code requirements. <p style="text-align: right;">Total Including Turnkey Install = \$229,000.00</p>
--

<p>(+) ADDER Notes:</p> <ul style="list-style-type: none"> > To INCLUDE... Design #24-00088-FB-SB-B which includes (3) additional poles & install for optimal lighting <p style="text-align: right;">**ADDER #1 = \$70,000.00</p>



***** DISCLAIMER *****

DESIGN BASED OFF OF LATEST SATELLITE IMAGES AVAILABLE AT THE TIME OF DESIGN. ALL MESAUREMENTS/POLE LOCATIONS NEED TO BE FIELD VERIFIED FOR ACCURACY AND APPROVED BEFORE PRODUCTION CAN BEGIN."

Luminaire Schedule

Scene: DEFAULT					
Symbol	Qty	Label	LLF	Lum. Watts	Arrangement
	48	TSLM-SV-NLV	0.950	800	Single
	7	TSLEW-SV-NLV	0.950	800	Single
	1	TSLW-SV-NLV	0.950	800	Single
	8	TSLM-SV-NLV_FB	0.950	800	Single

COMPLETE BOM

Pole Wattage Summary	
Scene: DEFAULT	
Label	Total Watts
A1	12800
A2	8800
A3	11200
A4	8800
P1	9600
TOTAL	51200

Pole Summary

Scene: DEFAULT		
Poles	# Lums	MH
A1-B	4	60'
A1-B-FB	8	60'
A1-F	4	60'
A2-B	7	60'
A2-F	4	60'
A3-B	7	60'
A3-F	7	60'
A4-B	4	60'
A4-F	7	60'
P1	12	60'



City Park Phase II
TX-City of Stephenville
FOOTBALL/SOFTBALL
24-20088-SB.AGI

1. THIS LIGHTING DESIGN IS BASED ON INFORMATION SUPPLIED BY OTHERS. SITE DETAILS PROVIDED HEREON ARE REPRODUCED ONLY AS A REPRESENTATION AND FIELD CONDITIONS MAY SIGNIFICANTLY AFFECT PREDICTED PERFORMANCE. PRIOR TO INSTALLATION, OBTAIN ALL NECESSARY PERMITS, REGULATIONS, ORDINANCES, AND LOCAL, STATE AND FEDERAL REQUIREMENTS. THE CONTRACTOR AND/OR SPECIFIER IS RESPONSIBLE FOR THE PROJECT. 2. LUMINAIRE DATA IS TESTED TO INDUSTRY STANDARDS UNDER LABORATORY CONDITIONS. OPERATING VOLTAGE AND NOMINAL MANUFACTURING TOLERANCES OF LUMINAIRE BALLASTS AND LUMINAIRE MAY AFFECT FIELD RESULTS. 3. COMPLIANCE TO FACILITY USE AND OPERATIONAL REQUIREMENTS IS THE RESPONSIBILITY OF THE OWNER AND/OR THE OWNER'S REPRESENTATIVE.

DRAWN BY: AMP
Date: 4/19/2024
SCALE: NTS
Page M of 1
24-20088-SB.AGI



Pole Wattage Summary	
Scene: BB	
Label	Total Watts
A1	6400
A2	8800
A3	11200
A4	8800
P1	0
TOTAL	35200

Pole Summary		
Scene: BB		
Poles	# Lums	MH
A1-B	4	60'
A1-F	4	60'
A2-B	7	60'
A2-F	4	60'
A3-B	7	60'
A3-F	7	60'
A4-B	4	60'
A4-F	7	60'

Luminaire Schedule					
Scene: BB					
Symbol	Qty	Label	LLF	Lum. Watts	Arrangement
⌘	37	TSLM-SV-NLV	0.950	800	Single
⌘	7	TSLEW-SV-NLV	0.950	800	Single

Calculation Summary											
Scene: BB											
Label	Area Size	Units	Avg	Max	Min	Max/Min	# Pts	PtSpcLr	PtSpcTb	CV	UG
SB #1	120' R	Fc	33.19	49.1	18.8	2.61	39	20	20	0.25	1.63
SB #2	150' R	Fc	37.54	52.8	21.3	2.48	54	20	20	0.23	1.45
SB #3	155' R	Fc	33.68	51.4	16.7	3.08	62	20	20	0.28	1.58
SB #4	95' R	Fc	33.57	39.1	16.7	2.34	29	20	20	0.18	1.77

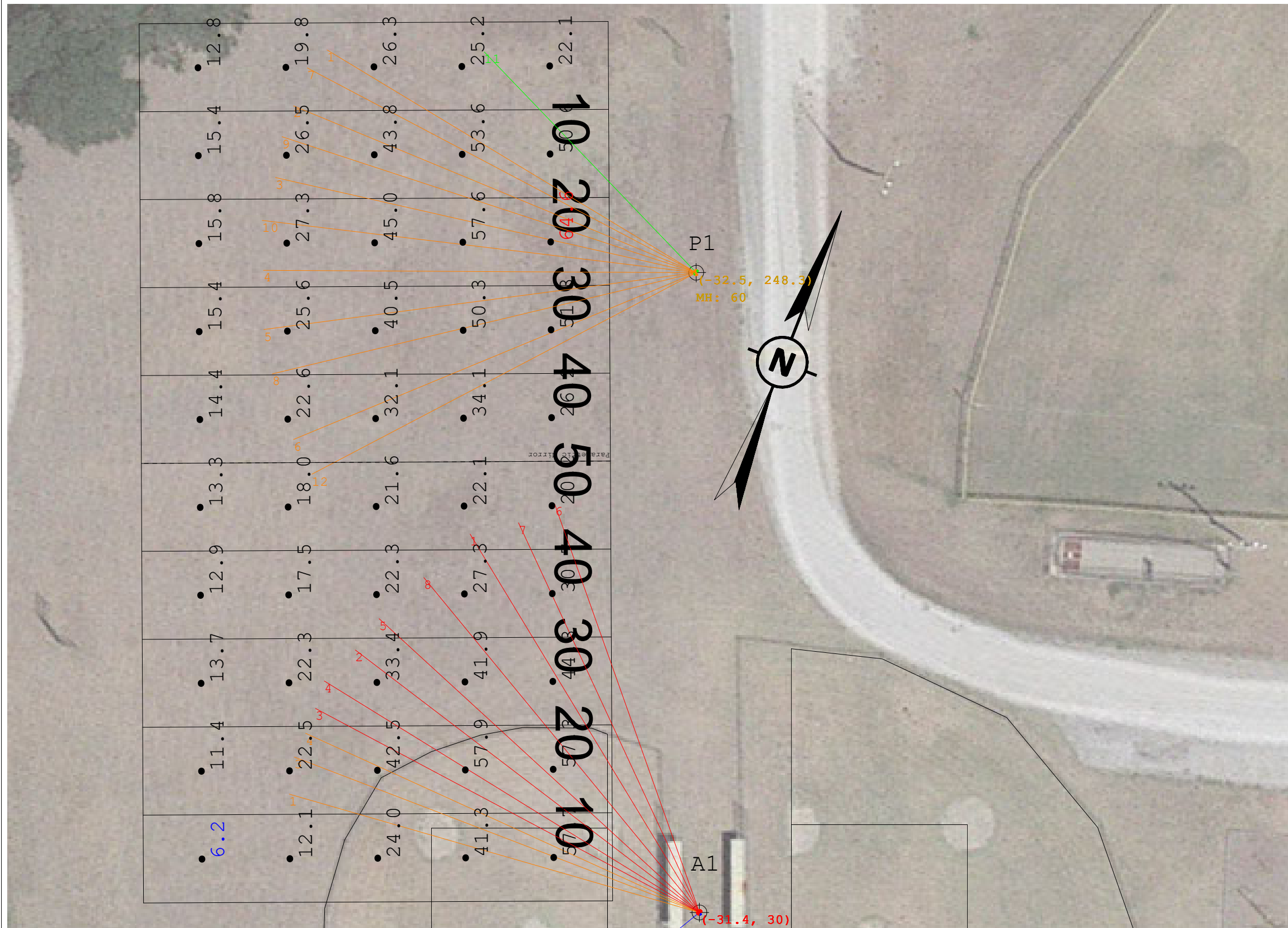
*** DISCLAIMER ***
 DESIGN BASED OFF OF LATEST SATELLITE IMAGES AVAILABLE AT THE TIME OF DESIGN. ALL MESAUREMENTS/POLE LOCATIONS NEED TO BE FIELD VERIFIED FOR ACCURACY AND APPROVED BEFORE PRODUCTION CAN BEGIN."



City Park Phase II
TX-City of Stephenville
SWITCHING FOR SOFTBALL
24-20088-SB.AGI

1. THIS LIGHTING DESIGN IS BASED ON INFORMATION SUPPLIED BY OTHERS. SITE DETAILS PROVIDED HEREON ARE REPRODUCED ONLY AS A REPRESENTATION AND FIELD CONDITIONS MAY SIGNIFICANTLY AFFECT PREDICTED PERFORMANCE. PRIOR TO INSTALLATION, CRITICAL SITE INFORMATION (POLE LOCATION, OBSTRUCTION, SOUNDING HEIGHT, ETC.) SHOULD BE COORDINATED WITH THE CONTRACTOR AND/OR SPECIFIER RESPONSIBLE FOR THE PROJECT.
 2. LUMINAIRE DATA IS TESTED TO INDICATE STANDARD UNDER LABORATORY CONDITIONS. OPERATING VOLTAGE AND NOMINAL MANUFACTURING TOLERANCES OF LUMEN OUTPUT AND LUMINAIRE MAY AFFECT FIELD RESULTS.
 3. COMPLIANCE TO FACILITY CODE AND OTHER LOCAL REQUIREMENTS IS THE RESPONSIBILITY OF THE OWNER AND/OR THE OWNER'S REPRESENTATIVE.

DRAWN BY: AMP
 Date: 4/19/2024
 SCALE: NTS
 Page M of 1
 24-20088-SB.AGI



*** DISCLAIMER ***
 DESIGN BASED OFF OF LATEST SATELLITE IMAGES AVAILABLE AT THE TIME OF DESIGN. ALL MESAUREMENTS/POLE LOCATIONS NEED TO BE FIELD VERIFIED FOR ACCURACY AND APPROVED BEFORE PRODUCTION CAN BEGIN."

Calculation Summary											
Scene: FB											
Label	Area Size	Units	Avg	Max	Min	Max/Min	# Pts	PtSpcLr	PtSpcTb	CV	UG
FB	300' x 160'	Fc	30.27	64.6	6.2	10.42	50	30	30	0.50	2.57

Luminaire Schedule					
Scene: FB					
Symbol	Qty	Label	LLF	Lum. Watts	Arrangement
	14	TSLM-SV-NLV	0.950	800	Single
	1	TSLEW-SV-NLV	0.950	800	Single
	1	TSLW-SV-NLV	0.950	800	Single
	8	TSLM-SV-NLV_FB	0.950	800	Single

Pole Wattage Summary	
Scene: FB	
Label	Total Watts
A1	9600
A2	0
A3	0
A4	0
P1	9600
TOTAL	19200

Pole Summary		
Scene: FB		
Poles	# Lums	MH
A1-B	4	60'
A1-B-FB	8	60'
P1	12	60'



City Park Phase II
 TX-City of Stephenville
SWITCHING FOR FOOTBALL
24-20088-SB.AGI

1. THIS LIGHTING DESIGN IS BASED ON INFORMATION SUPPLIED BY OTHERS. SITE DETAILS PROVIDED HEREON ARE REPRODUCED ONLY AS A REFERENCE AND FIELD CONDITIONS MAY SIGNIFICANTLY AFFECT PREDICTED PERFORMANCE. PRIOR TO INSTALLATION, CRITICAL SITE INFORMATION (POLE LOCATION, OBSTRUCTION, MOUNTING HEIGHT, ETC.) SHOULD BE COORDINATED WITH THE CONTRACTOR AND/OR SPECIFIER RESPONSIBLE FOR THE PROJECT.
 2. LUMINAIRE DATA IS TESTED TO INDUSTRY STANDARDS UNDER LABORATORY CONDITIONS. OPERATING VOLTAGE AND NOMINAL MANUFACTURING TOLERANCES OF LUMINAIRE AND LUMINAIRE MAY AFFECT FIELD RESULTS.
 3. COMPLIANCE TO FACILITY CODE AND OTHER LOCAL REQUIREMENTS IS THE RESPONSIBILITY OF THE OWNER AND/OR THE OWNER'S REPRESENTATIVE.

DRAWN BY: AMP
 Date: 4/19/2024
 SCALE: NTS
 Page M of 1
 24-20088-SB.AGI

TSL800W

FIXTURE



Standard Visor



Extended Visor (optional)

800 WATT

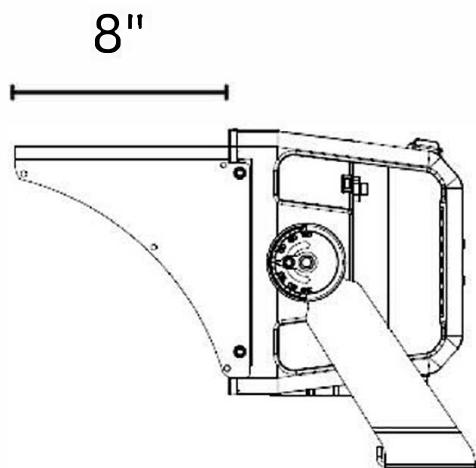
TECHNICAL DATA

SYSTEM WATTS	800w
LUMEN OUTPUT	120,000
EFFICACY	150 LM/W
EPA	1.9
WEIGHT	45 lbs
BEAM ANGLE	N, M, W, EW
POWER FACTOR	0.99
CCT	5700K
CRI	>70Ra
INPUT VOLTAGE	200-480v
INPUT PROTECTION	10KV Current Surge
DRIVER	Integral, Remote
IP RATING	IP65
OPERATING TEMP RANGE	-40° C to +45°C
HOUSING MATERIAL	Alumimum, Powder Coated

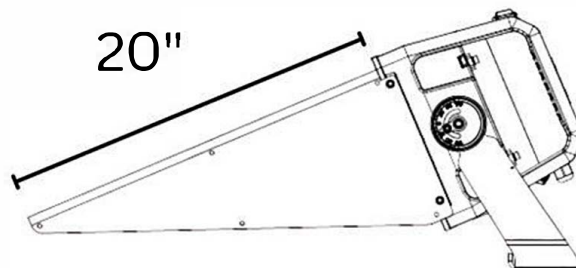
800 WATT

VISOR OPTIONS

Standard Visor



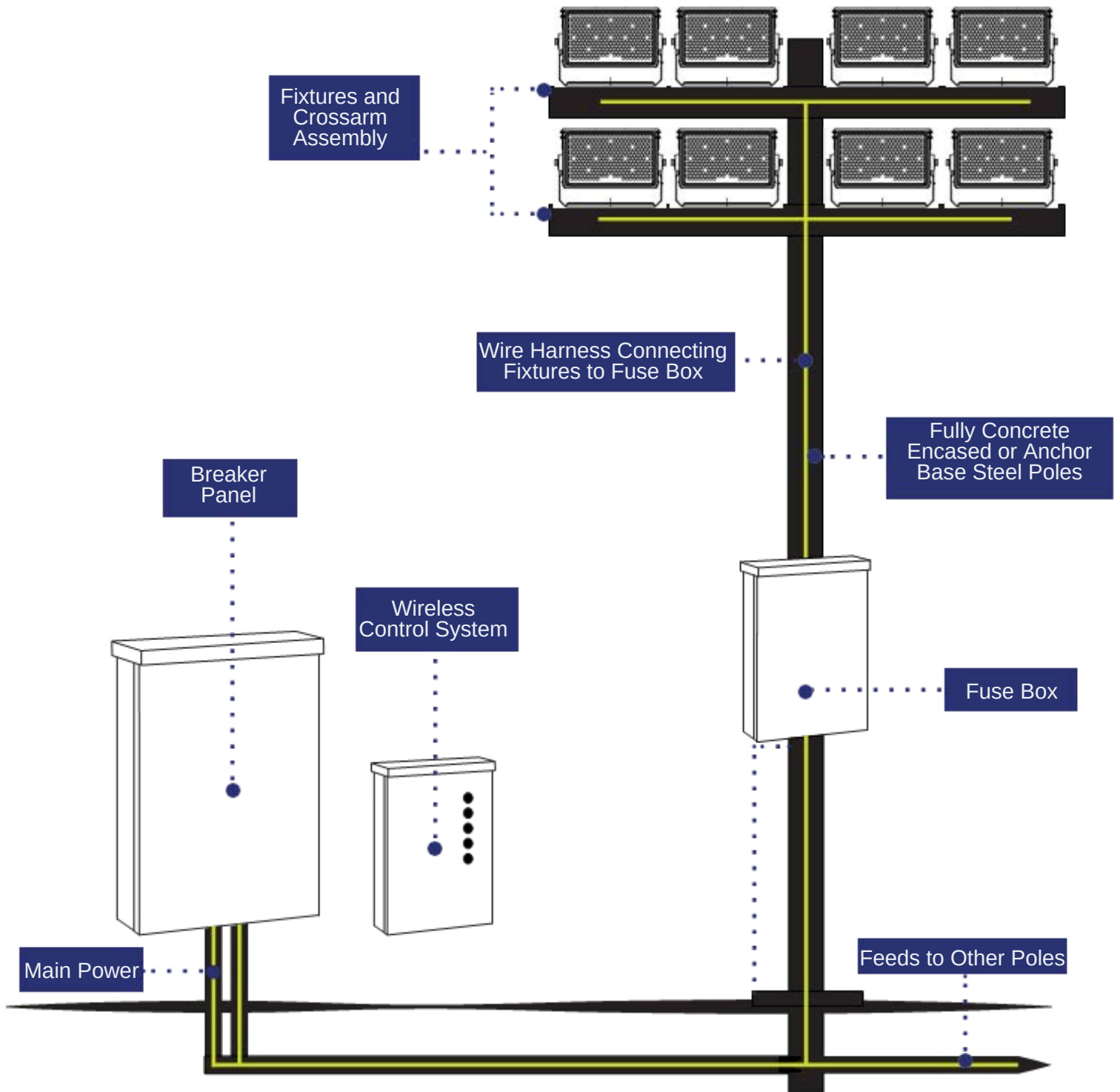
Extended Visor (optional)



Fixture Aimed at 23° Below
Horizontal

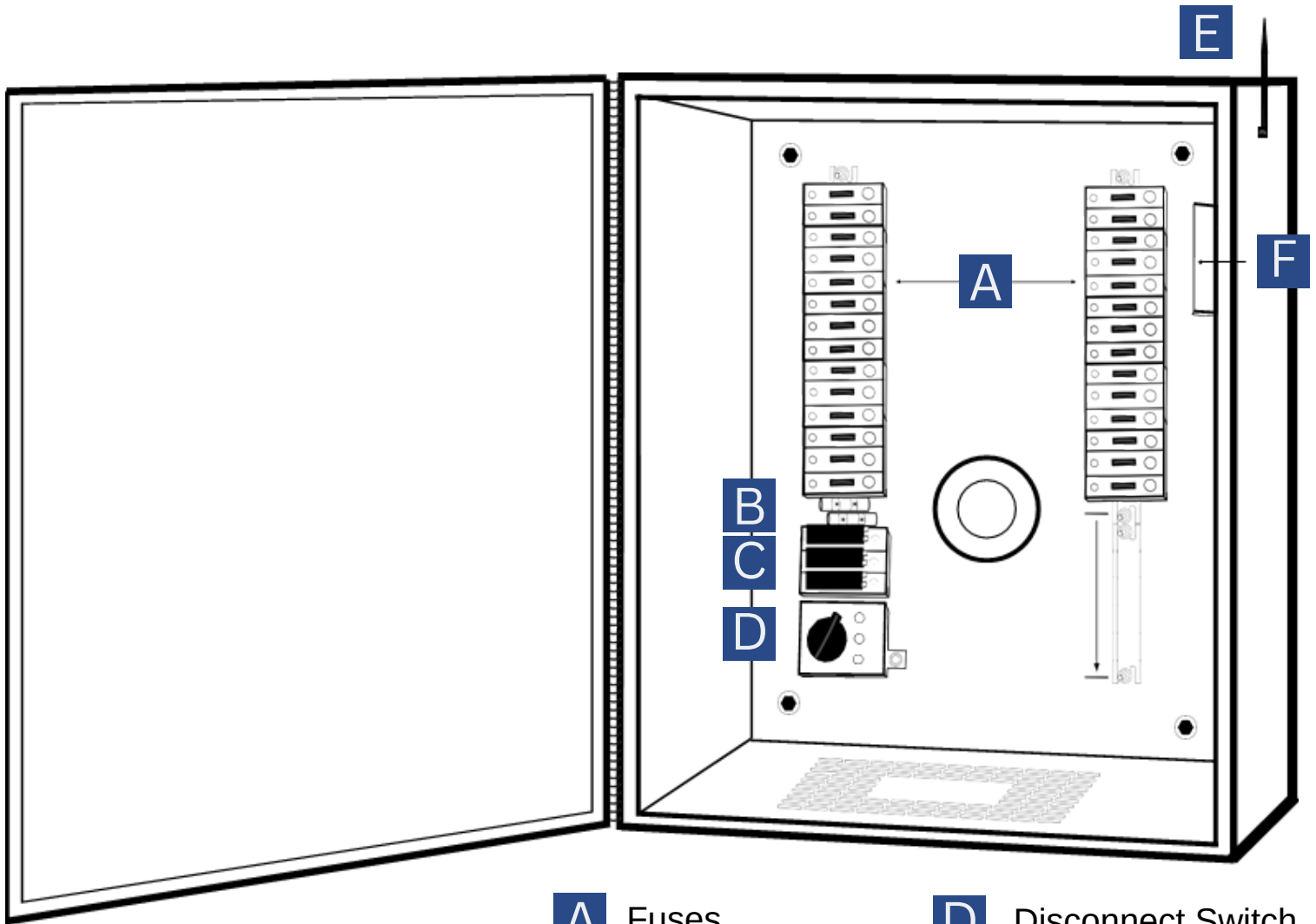
800 WATT

System Drawing



800 WATT

Fuse Box



Drawings do not designate fuse size, wiring, NEMA Box Type, distribution block information, disconnect switch size, ampacity, and surge arrester specification

Drawing depicts a typical Fuse Box (Control Enclosure)

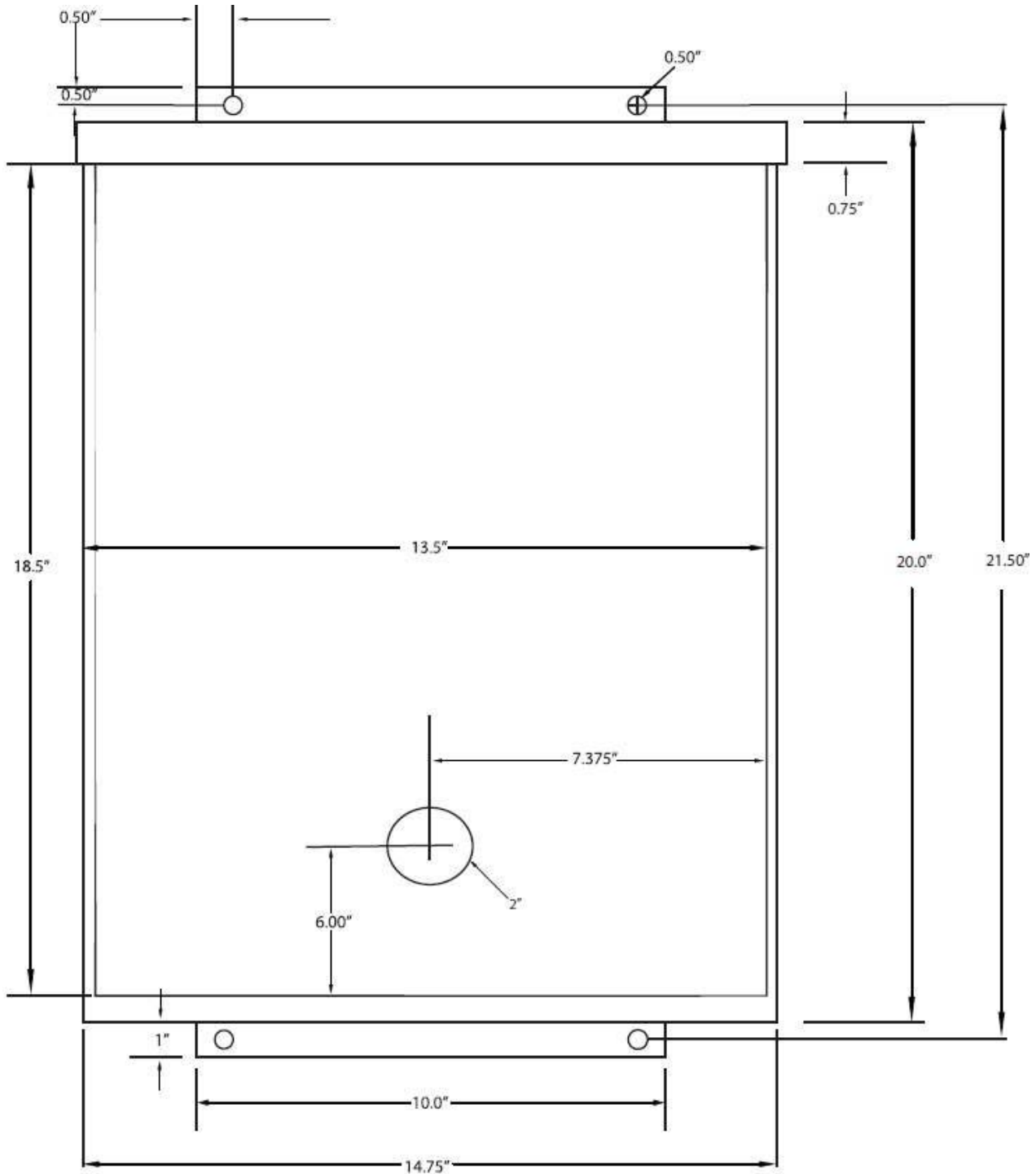
A customized Fuse Box will be Designed for any Specific Required Application

- | | | | |
|----------|--------------------|----------|----------------------------------|
| A | Fuses | D | Disconnect Switch |
| B | Ground Block | E | Wireless Antenna |
| C | Distribution Block | F | Wireless Relay
Dimming-On/Off |

G * Alternate Control Option *
 Simple On/Off No Dimming
 Allows Digital Contactor (AirMesh Hub by Synapse)
 the Ability to Remotely Turn Lights On/Off. This Option
 DOES NOT allow Dimming Capability

800 WATT

Small Box



****Drawings do not designate fuse size, wiring, NEMA box type, distribution block information, disconnect switch size, ampacity, and surge arrester specification**

TECHLINE 10 YEAR WARRANTY

10 Year Warranty

Techline Sports Lighting, LLC ("TSL") will provide all materials and labor to maintain operation of your lighting system to original design criteria for 10 years. TSL products and services are guaranteed to perform on your project as detailed in this document.

TSL warrants your lighting system to be free from defects in materials and workmanship for a period of 10 years starting from date of product shipment. TSL agrees to provide labor and materials to replace defective parts or repair defects in workmanship to maintain original design performance criteria. This includes all TSL manufactured product (such as wire harnesses, drivers, luminaires, poles).

Terms & Conditions

Service under this Contract is provided by Techline Sports Lighting, LLC ("TSL") or an authorized servicer approved by TSL. Services performed under this Contract shall consist of furnishing labor and parts necessary to restore the operation of the Covered Product(s) to original design criteria provided such service is necessitated by failure of the Covered Product(s) during normal usage.

"We", "us" and "our" mean TSL. "You" and "your" mean the purchaser of the Covered Product(s). No one has the authority to change this Contract without the prior written approval of TSL. TSL shall not assume responsibility for their agents or assignees other than as described below. If there is a conflict between the terms of this Contract and information communicated either orally or in writing by one or more of our employees or agents, this Contract shall control.

Additional Provisions

- 1. Availability of Service:** TSL Warranty support team members can receive messages 24/7 via web site, phone, fax, or email. Support team members shall be available to respond to requests from 8AM to 5PM Central Time, and services shall be rendered during these same hours in your local time zone, Monday through Friday (with the exception of national holidays). Hours of operation are subject to change without notice. TSL will exercise all reasonable efforts to perform service under this Contract, but will not be responsible for delays or failure in performing such services caused by adverse weather conditions, acts of any government, failure of transportation, accidents, riots, war, labor actions or strikes or other causes beyond its control.
- 2. Determination of Repairs:** TSL will utilize any field monitoring system plus any information provided by the customer to determine when the usage of the field is materially impacted. From this information, TSL will determine needed repair and/or replacement of Covered Product(s) and parts. Repair will be with product(s) of like kind and quality. Warranty claims will be processed if fixture outages cause more than 10% of the guaranteed light levels to be affected and the field of play is materially impacted.
- 3. Your Requirements Under this Contract:** Must meet all electrical and installation requirements as specified by the manufacturer. In addition, you promise and assure: full cooperation with TSL, TSL's technicians and authorized servicers during telephone diagnosis and repair of the Covered Product(s); reasonable accessibility of the Covered Product(s); a non-threatening and safe environment for service. You agree to check fuses and replace them as needed. Electrical system must provide quality power within + / - 3% of nominal voltage. You agree to keep your Techline Sports Lighting system online. This means keeping the required control voltage to the control system at all times. Any deviation from this practice must be discussed with TSL's Warranty Department.
- 4. Service Limitations - This Contract does not cover:** Maintenance, repair or replacement necessitated by loss or damage resulting from any external causes such as, but not limited to, theft, environmental conditions, negligence, misuse, abuse, improper electrical/power supply, unauthorized repairs by third parties, attachments, damage to cabinetry, equipment modifications, vandalism, animal or insect infestation, physical damage to Covered Products parts or components, failure of existing structures, supporting electrical systems or any non-TSL equipment, or acts of God/nature (including, but not limited to: earthquake, flood, tornadoes, typhoons, hurricanes or lightning). Warranty assumes poles are accessible with a standard lift not more than 10 feet taller than the mounting height of the pole being serviced. If larger lifts are required to service poles that are inaccessible due to infrastructure or other site conditions, additional charges may apply. If other obstructions exist that impede access to the pole being serviced, such as attached cellular antenna structures, additional charges may apply.

TECHLINE 10 YEAR WARRANTY

5. Contract Limitations:

- i. Exclusions from Coverage: IN NO EVENT WILL TSL BE LIABLE FOR ANY SPECIAL, INDIRECT, INCIDENTAL OR CONSEQUENTIAL DAMAGES WHICH INCLUDE, BUT ARE NOT LIMITED TO, ANY DELAY IN RENDERING SERVICE OR LOSS OF USE DURING THE REPAIR PERIOD OF THE COVERED PRODUCT(S) OR WHILE OTHERWISE AWAITING PARTS.
 - ii. Limitation of Liability: To the extent permitted by applicable law, the liability of TSL, if any, for any allegedly defective Covered Product(s) or components shall be limited to repair or replacement of the Covered Product(s) or components at TSL's option. THIS CONTRACT IS YOUR SOLE EXPRESS WARRANTY WITH RESPECT TO THE COVERED PRODUCT(S). ALL IMPLIED WARRANTIES WITH RESPECT TO THE COVERED PRODUCT(S) INCLUDING, BUT NOT LIMITED TO, IMPLIED WARRANTIES OF MERCHANTABILITY AND FITNESS FOR A PARTICULAR PURPOSE, ARE HEREBY EXPRESSLY EXCLUDED.
 - iii. For the purposes of and by your acceptance of this Contract you acknowledge and agree that if a surety bond ("Bond") is provided the warranty and/or maintenance guarantee provided for in this Contract and any corresponding liability on behalf of the issuing surety under the Bond is limited to the first twelve (12) months of said warranty and/or maintenance guarantee coverage period. Any warranty and/or guarantee coverage period in excess of said initial 12-month period does not fall within the scope of the Bond and shall be the sole responsibility of TSL.
 - iv. TSL requires reasonable access for a crane or man lift equipment to service the lighting system. TSL will not be responsible for damage from operating the vehicle on the property when the equipment is operated in the prescribed manner over the designated access route.
 - v. TSL will make every effort to maintain any component of our sports lighting system for the entirety of the warranty period. Advances in technology and obsolescence of some components, including but not limited to; regulatory changes, cellular upgrades, and other items beyond our control, could possibly render this impossible for some components in the future. TSL will always make every effort to support our system as long as manufactured components are available.
6. **Transfer and Assignment:** Except to owners, you shall not have the right to assign or otherwise transfer your rights and obligations under this Contract except with the prior written consent of TSL; however, a successor in interest by merger, operation of law, assignment or purchase or otherwise of your entire business shall acquire all of your interests under this Contract.
7. **Governing Law:** Unless otherwise governed by applicable state law, the Contract shall be interpreted and enforced according to the laws of the State of Texas.
8. **Subrogation:** In the event TSL repairs or replaces any Covered Product(s), parts or components due to any defect for which the manufacturer or its agents or suppliers may be legally responsible, you agree to assign your rights of recovery to TSL. You will be reimbursed for any reasonable costs and expenses you may incur in connection with the assignment of your rights. You will be made whole before TSL retains any amounts it may recover.

Techline Sports Lighting, LLC has a team of people to ensure fulfillment of our product and services warranty and maintains financial reserves dedicated to support our fulfillment of this warranty. Please keep this document as your signed contract guaranteeing comprehensive service for the 10 year period.

Effective Date:



Techline Sports Lighting, LLC.
Rodney M. Hawthorne
President