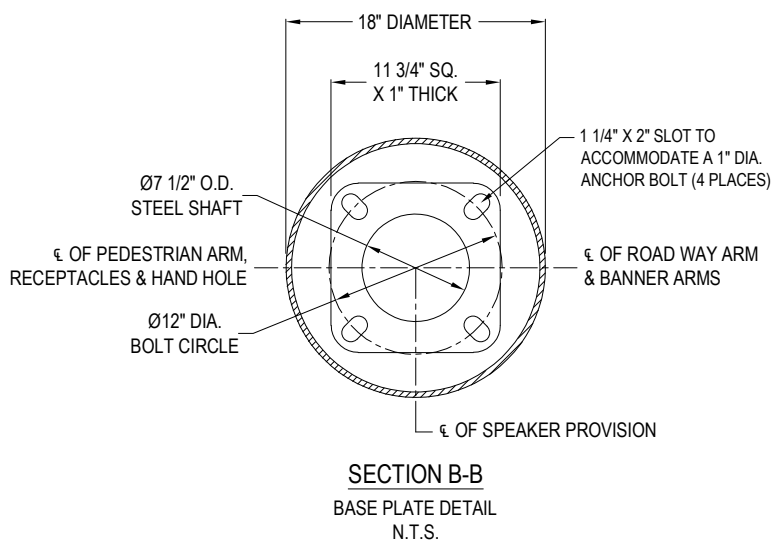
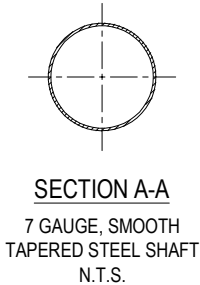
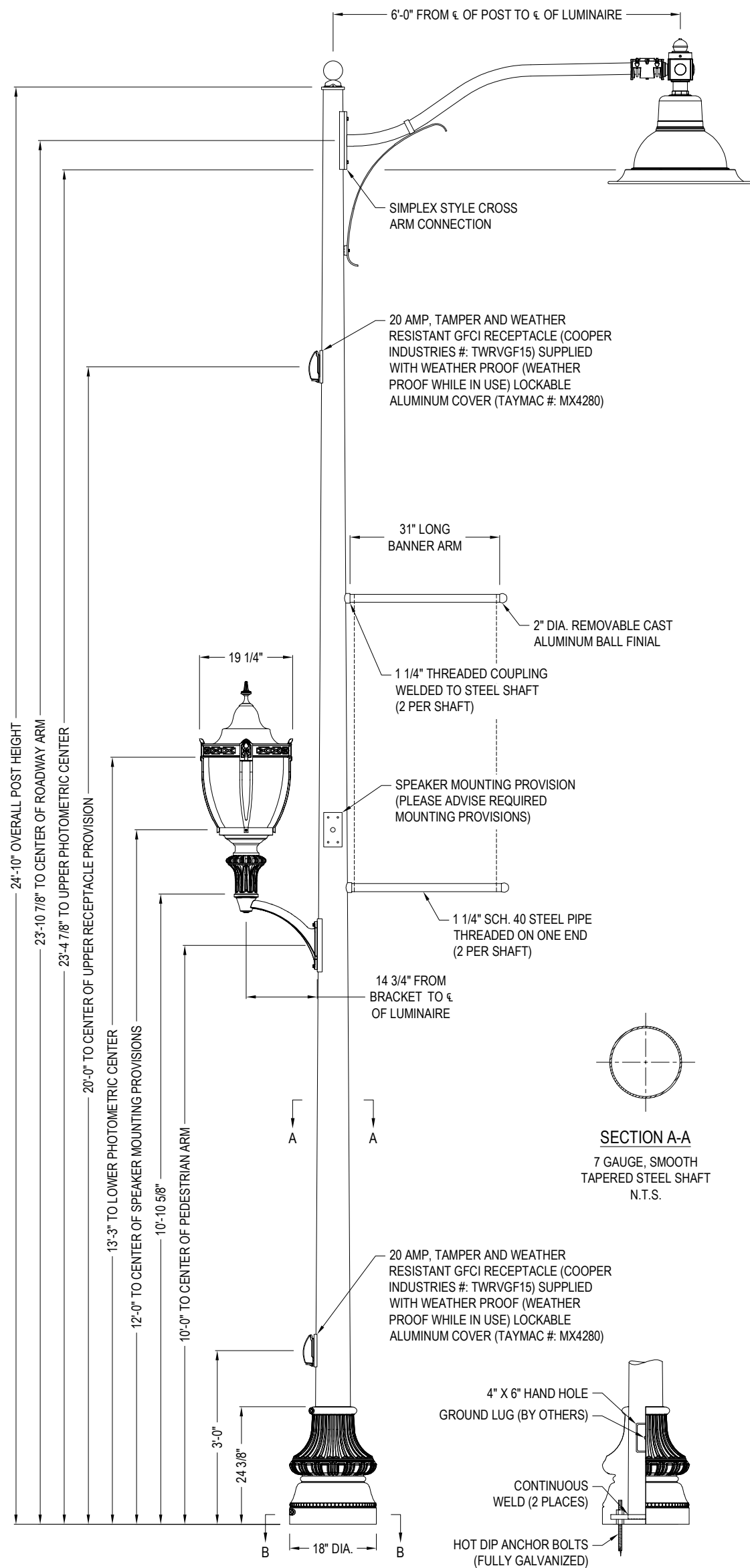


This drawing is property of Spring City Electrical Mfg. Co. and is issued to the recipient with the understanding that it shall not be copied, duplicated, passed on to unauthorized parties, nor used for any purpose other than that for which it is specifically furnished except with Spring City's written permission.



ROADWAY LUMINAIRE SPECIFICATIONS:

STYLE: EXTON
 HEIGHT: 30 1/8"
 WIDTH: 30" DIAMETER
 MATERIAL: CAST ALUMINUM ALLOY A.N.S.I. 356, PER A.S.T.M. B26-95 WITH 12 GAUGE, 1100-0 SPUN SHADE CLEAR GLASS LENS
 GLOBE: POWDER COATED - PLEASE ADVISE COLOR
 FINISH: PLEASE ADVISE DESIRED WATTAGE
 LAMPING: ELECTRICALLY WIRE AT 120-277 VOLTS
 VOLTAGE: PLEASE ADVISE DESIRED COLOR TEMPERATURE
 COLOR TEMP.: TYPE III REFRACTIVE OPTICS (ASYMMETRIC DISTRIBUTION)
 OPTICAL SYSTEM: 10KV SURGE PROTECTION
 SURGE PROTECTION: FLAIR SHADE
 MODIFIER: COLUMBIA LUMINAIRE HOLDER WITH CHARLEROI BALL FINIAL

CATALOG NO.: ALMETN-M1-LE___EVX-2F2___CR3-GPLO-LACL-B-FCR-CU

ROADWAY CROSS ARM SPECIFICATIONS:

STYLE: OSAGE SINGLE
 HEIGHT: 36"
 WIDTH: 6'-0" FROM ϵ OF POST TO ϵ OF LUMINAIRE
 MATERIAL: STEEL PIPE WITH STEEL ORNAMENTATION
 FINISH: POWDER COATED - PLEASE ADVISE COLOR
 TENON: 2 3/8" DIA. X 6 1/4" LONG

CATALOG NO.: SAROSG-1S-SD-66-36-TN2.38-6.25-CU

PEDESTRIAN LUMINAIRE SPECIFICATIONS:

STYLE: WASHINGTON X-SERIES WITH TARBORO STRUTS
 HEIGHT: 44 1/8"
 WIDTH: 19 1/4"
 MATERIAL: CAST ALUMINUM ALLOY ANSI 356 PER A.S.T.M. B26-95
 GLOBE: CLEAR STIPPLED ACRYLIC GLOBE
 FINISH: POWDER COATED - PLEASE ADVISE COLOR
 LAMPING: PLEASE ADVISE DESIRED WATTAGE
 VOLTAGE: ELECTRICALLY WIRE AT 120-277 VOLTS
 COLOR TEMP.: PLEASE ADVISE DESIRED COLOR TEMPERATURE
 OPTICAL SYSTEM: TYPE III REFRACTIVE OPTICS (ASYMMETRIC DISTRIBUTION)
 SURGE PROTECTION: 10KV SURGE PROTECTION

CATALOG NO.: ALMWSH-LE___L19-EVX___CR3-YS29-TB-FPL-CU

PEDESTRIAN CROSS ARM SPECIFICATIONS:

STYLE: VINEYARD
 HEIGHT: 15 3/4"
 WIDTH: 14 3/4" FROM WALL TO ϵ OF LUMINAIRE
 MATERIAL: CAST ALUMINUM ALLOY ANSI 356 PER A.S.T.M. B26-95
 FINISH: POWDER COATED - PLEASE ADVISE COLOR
 TENON: 3 1/2" DIA. X 3" HIGH (TO ACCEPT LUMINAIRE)

CATALOG NO.: AWKVNY-M1-1S-15.00-TN3.50-3.00-CU

LAMP POST SPECIFICATIONS

STYLE: BOSTON DOWNTOWN STEEL
 HEIGHT: 24'-10"
 BASE: 18" DIAMETER
 MATERIAL:
 • SHAFT: 7 GAUGE, SMOOTH TAPERED STEEL MONOTUBE CONSTRUCTION
 • BASE: TWO PIECE, (WRAP AROUND) CAST ALUMINUM ALLOY ANSI 356 PER A.S.T.M. B26-95
 FINISH: POWDER COATED - PLEASE ADVISE COLOR
 ACCESS DOOR: LOCATED IN BASE SECURED WITH TAMPER PROOF HEX SOCKET SECURITY MACHINE SCREWS
 GROUND PROVISIONS: 1/4"-20 WELDED TO INSIDE STEEL SHAFT OPPOSITE ACCESS DOOR TO COINCIDE WITH HAND HOLE TO ACCOMMODATE GROUND STUD (GROUND STUD SUPPLIED BY OTHERS)
 ANCHOR BOLTS: (4) 1" DIA. X 36" LONG X 6" HOOK (FULLY GALVANIZED WITH 2 GALVANIZED WASHERS AND 2 GALVANIZED NUTS PER BOLT)
 BOLT PROJECTION: 5" REQUIRED
 TENON: 2 7/8" DIA. X 1/2" HIGH (TO ACCEPT POST TOP FINIAL)
 MODIFIERS:
 • (2) 1 1/4" THREADED BANNER PROVISIONS
 • (2) 20 AMP GFCI RECEPTACLE WITH IN-USE COVER (SEE SECTION B-B FOR ORIENTATION)
 • (2) STEEL MOUNTING PLATES WELDED TO SHAFT FOR ARM MOUNTING
 • POLE FINIAL
 • SPEAKER MOUNTING PROVISIONS

CATALOG NO.:
 • BASE: AWBCTB-M1-18-CU
 • SHAFT: SSHSM-G17-07.50-24.83-TN2.88-10.00-2BP-2GFWI-2SD-PF-SP-CU
 • BANNER ARM: SBNUBT-1S-1.25-31.00-F02
 • ANCHOR BOLT: 136/2NW



Spring City Electrical Mfg. Co.

HALL AND MAIN STREETS - P.O. BOX 19 - SPRING CITY, PA. 19475
 PHONE (610) 948-4000 - FAX (610) 948-5577 - WWW.SPRINGCITY.COM

| | | | |
|-------------|---|------------|-------------|
| DESCRIPTION | THE 24'-10" CITY OF BOSTON STEEL / ALUMINUM LAMP POST WITH THE VINEYARD PEDESTRIAN ARM WITH THE WASHINGTON STYLE LED LUMINAIRE AND THE OSAGE SINGLE CROSS ARM AND THE EXTON LED LUMINAIRE | | |
| OPPORTUNITY | CITY OF STEPHENVILLE, TX | | |
| SCALE | DRAWN BY: | DATE | DRAWING NO. |
| N.T.S. | B.K.R. | 02-21-2022 | SPEC-33531 |