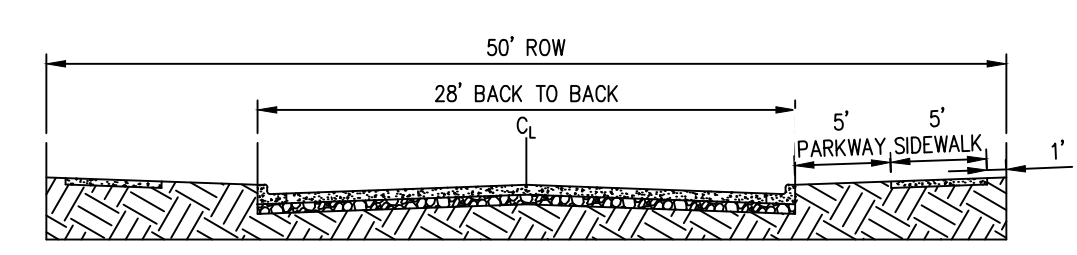


**LEGEND**

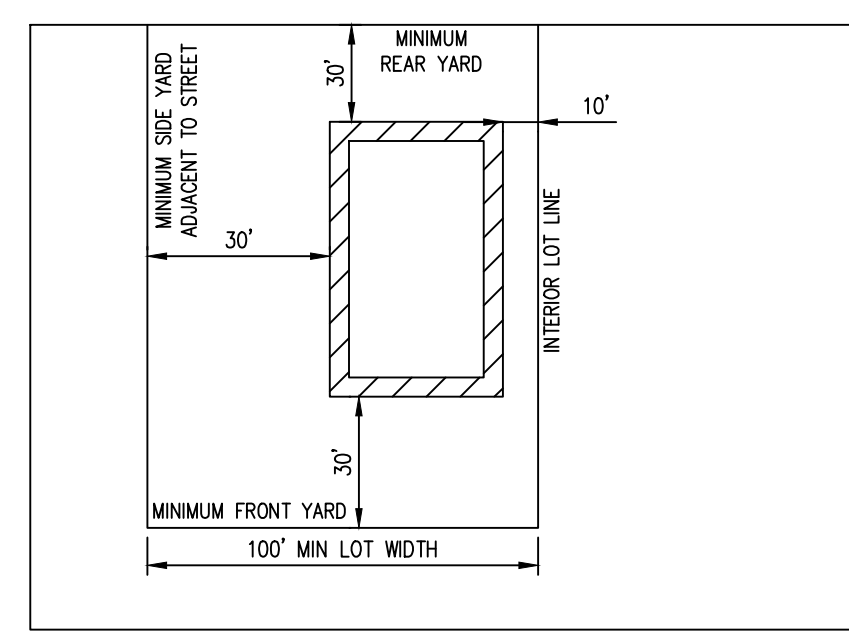
- TOWNHOMES
- SINGLE FAMILY
- ESTATE LOTS
- HOA OR BUFFER LOTS

**LOT COUNT**

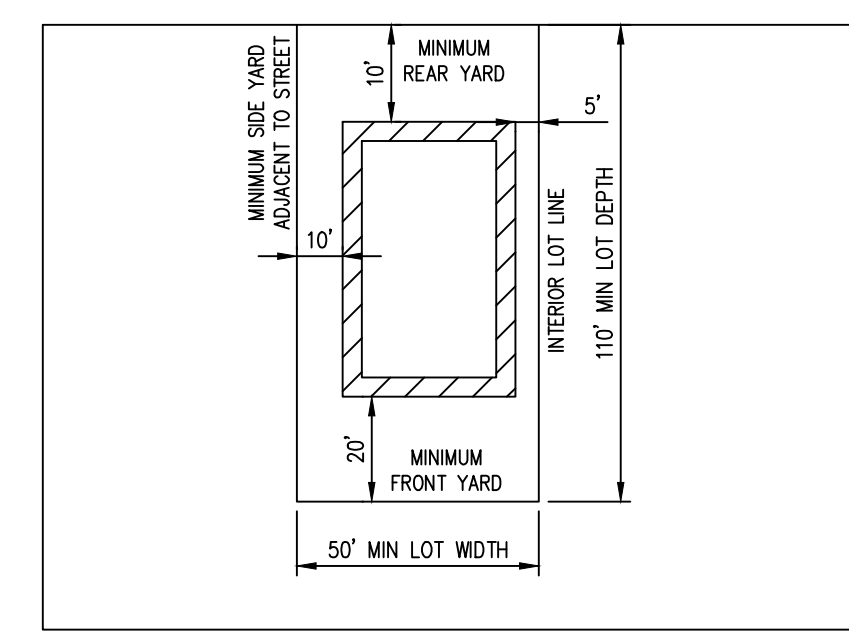
- TOWNHOMES: 39
- SINGLE FAMILY: 117
- ESTATE LOTS: 14
- HOA LOTS: 4
- TOTAL LOTS: 174



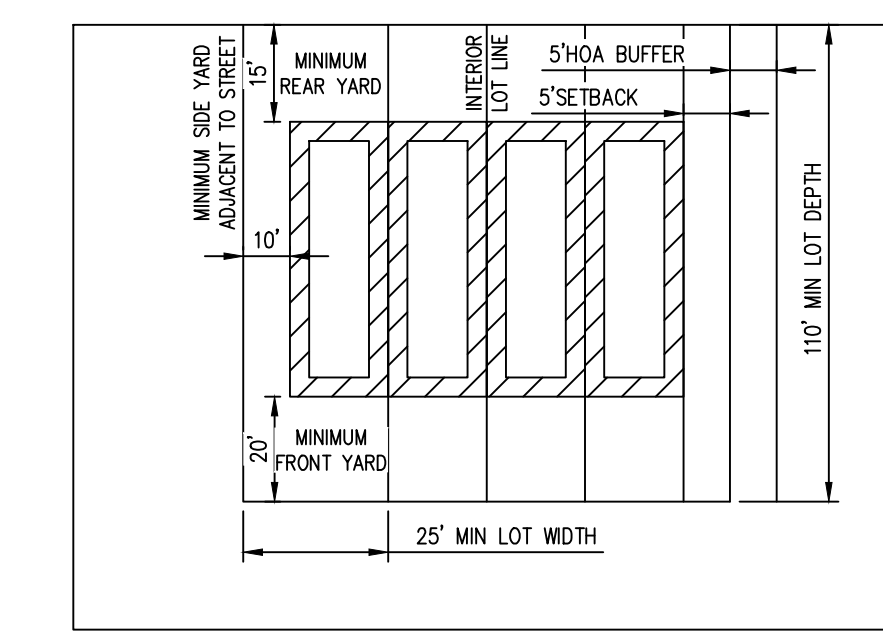
STREET CROSS SECTION  
SCALE: 1"=10'



LOT TYPE A – ESTATE LOTS  
(0.5 ACRE MIN)



LOT TYPE B – SINGLE FAMILY  
(5,500 SF MIN)



LOT TYPE C – TOWNHOME  
(2,500 SF MIN)



CALL 3 BUSINESS DAYS IN ADVANCE BEFORE YOU DIG, GRADE, OR EXCAVATE FOR THE MARKING OF UNDERGROUND MEMBER UTILITIES.

FOREST ROAD RESIDENTIAL SITE LAYOUT  
JANUARY 2023

