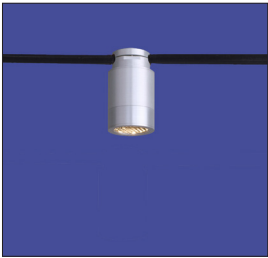


Exton Powerspan Cable System

Kore-EX5 IP65
Cable Mount Downlight



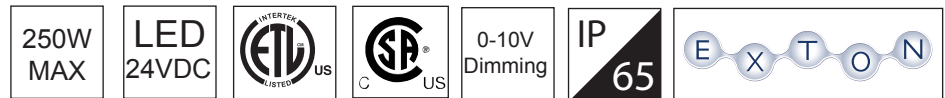
- Category:** Exton features Tegan's exclusive Powerspan Cable. Tensioned or swagged mounting with various Gems, Glass Envelopes and Shades. Designed for use with a remote Power Supply Enclosure with Driver. Optional 0-10V Dimming.
- Material:** Power Cable: Embedded stainless steel wire in the center of the Custom Cable with 10 gauge conductors inside a IP-65 Self-Sealing Jacket.
Mounting: Powdercoated or anodized steel and aluminum.
Kore-EX5 LED Module: UV stable exterior anodized aluminum, UV stable polycarbonate glass lenses, rubber O-rings.
- Finish:** Powerspan Cable: Black (BLK). Custom finishes not available.
Kore-EX5 LED Module: Exterior rated, brushed, two-step electrolytic color anodizing. Anodized Black (BLK) or Anodized Aluminum (AL).
Mounting: Anodized Aluminum or Powder Coat Black.
- Power Supply Enclosure:** Refer to [Exton Power Supply IP20 Specs sheet](#), [IP24 Specs sheet](#) or [IP66 Specs sheet](#) for details.
- Powerspan Cable:** Exton Powerspan, Self-Sealing Cable is IP-65 for interior/exterior use. Supplied in 1' (30.5cm) increments, with End Cap, as a stand alone to be tensioned or swagged. Field cuttable.
- Mounting:** Surface Mount 2" Wrap Bracket, Black (EX-SWB-2-BLK), Surface Mount 3" Wrap Bracket, Black (EX-SWB-3-BLK), Vertical Surface Mount Bracket, Black finish (EX-VSB-BLK), Horizontal Surface Mount Bracket, Black finish (EX-HSMB-BLK), Standoff Bracket, Black finish (SOBR-BLK) Surface Mount "Drape" Bracket, Black finish (EX-FSDB-BLK), Tensioning Surface End Bracket, Black finish (EX-TSEB), Tree Strap & Buckle, Black finish (EX-TSB-BLK). Exton End Cap - Black finish (EX-EC-BLK).
- Pole Mounting:** Tegan has partnered with AV Poles & Lighting. Poles can be ordered from Tegan Lighting. AV is well-versed on the Exton System and has installed many similar tensioned projects. As required, engineering services will be provided in the quote to insure proper structural installation per code requirements. Refer to [Exton Application Guide](#) for information and more details. Poles can also be provided by others; engineering is required by others to ensure structural integrity. Note: **Tegan will not be responsible for Poles/Engineering provided by others.**
- Cable Span:** Maximum Cable mounting is 110' (33.5m). Note that the cable must be a continuous run without interruption. 250W max. per circuit. When specifying cable length, add 20% to the run length for installation.
- Kore-EX5 LED Module:** Kore-EX5 LED Pendant - Anodized Aluminum or Anodized Black finish.
- Kore-EX5 Accessories:** Exton Sandblasted Lens (EX5-SBL), Exton Solite Lens (EX5-SOL), Exton 22K Color Correction Filter (EX-CCT-22K), 24K Color Correction Filter (EX-CCT-24K), Exton Honeycomb Louver 16 - Black (EX-HCLB-BLK).
Note: CCT22/24 = Kelvin Temperature results when used with the standard 27K Cree LED.
- Power Feed:** Exton IP-65 Power Feed for Remote Power Supply - Black Finish (EXPF-BLK); Field paintable; contact Factory for custom colors. J-Box by others.
- LED:** High Wattage Array Cree LED, 2-Step Macadam. 5W @ 500 (estimated; in testing) with 2700K 82-85 CRI typical. All values are initial lumens. For exact lumen output and wattage consumption data, please consult LM79 reports. Online power consumption does not include driver losses. Contact factory for 2400K, 3500K, 4000K or 90 CRI.



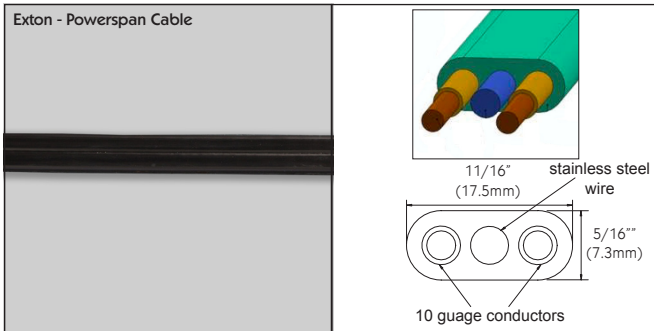
Exton Powerspan Cable System

Kore-EX5 IP65
Cable Mount Downlight

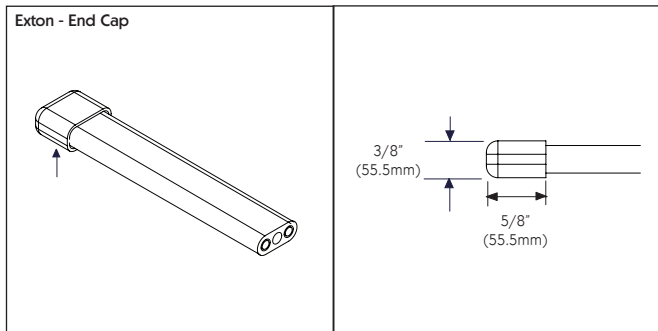
- Optics:** 15° | 24° | 35° for Kore-EX5 Downlight and Adjustable Downlight. Refer to photometric report for details (testing in process). 15° is supplied in all decorative options for maximum decorative element illumination.
- Electrical:** 24VDC. Total input watts: 6.5W. 250W max. per circuit.
- Remote Power Supply:** The Exton System is designed for use with a Remote Power Supply Enclosure and Driver. Refer to [Exton Power Supply IP20 Specs sheet](#), [IP24 Specs sheet](#) or [IP66 Specs sheet](#) for details. **Use of Tegan Lighting Power Enclosures and Drivers only.** If supplied "by others" the warranty and listing are void.
- Engineering:** Due to mathematical laws, tightening and loading any taut end-supported flexible cable puts tensile loads upon its supports (walls, trees, posts, etc.) that is orders of magnitude greater than the weight of the cable and its dynamic loading. Taut installations require extremely strong end supports, and it is up to the specifier and installer to match the strength of the end support structures with the combined level of tautness and static (weight of cable/fixtures) and dynamic (e.g. wind/ice/vermin) load of the cable.
- Installation:** Exton is not approved or listed for indoor pool/sauna installations. Refer to [Installation Instructions #23](#) for details. For system layout, and specification assistance, refer to the [Exton Application Guide](#) for details.
- Labels:** ETL Listed; Tested to UL 2108 Low Voltage Lighting Systems. In a continuing effort to offer the best product possible we reserve the right to change, without notice, specifications or materials. Technical specification sheets that appear on [teganlighting.com](#) are the most recent version and supersede all other versions that exist in any other printed or electronic form. Kore-EX5 Module and Cable - 3 year warranty. Envelopes and Architectural Shades: **limited three year warranty.** Refer to [Exton Application Guide](#) for details. Consult with an Arborist for proper tree installation per the type of tree(s). Tegan Lighting is not liable for any damage/injury as a result of tree installation. Refer to [Installation Instructions #23](#) for more details.



Exton - Powerspan Cable

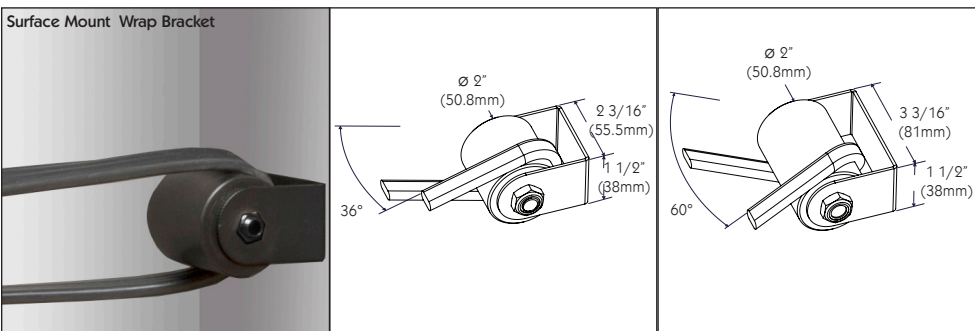


Exton - Powerspan Cable - Black (EX-C-BLK)
Exton Self-Sealing Powerspan Cable is IP-65 for interior/exterior applications. Order in 1' (30.5cm) increments for up to 110' (33.5m) maximal span. Field cuttable. 24VDC at 250W Max. per run. Available in Black finish (only). Refer to [Installation Instructions Sheet 23](#) and [Exton Application Guide](#) for details.

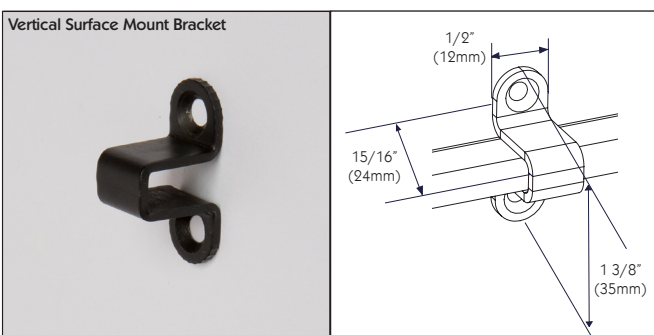


Exton End Cap - Black Finish (EX-EC-BLK)
Exton End Cap is for interior/exterior applications. One (1) required per run. Available in Black finish (only). Refer to [Installation Instructions Sheet 23](#) and [Exton Application Guide](#) for details.

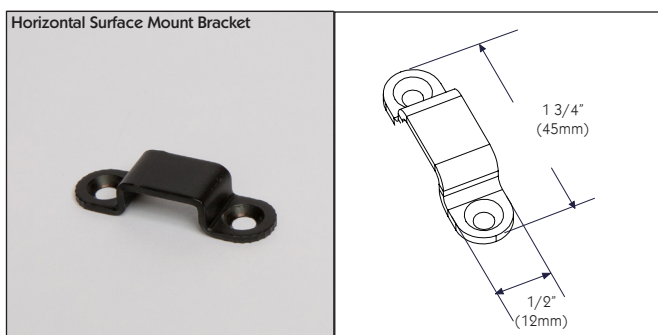
Exton - Cable - Mounting Brackets



Surface Mount 2" Wrap Bracket, Black (EX-SWB-2-BLK)
Surface Mount 3" Wrap Bracket, Black (EX-SWB-3-BLK)
Surface Mount Wrap Bracket, 2 3/16" (55.5mm) or 3 3/16" (81mm), for Exton Powerspan Cable mounting to any suitable surface; wall, tree, pole, beam, etc. to continue up to a 110' (33.5m) run. 250W per run. Available in anodized Black (BLK) finish. Can be field painted or contact factory for custom colors. Hardware provided by others. Use fasteners as per the specification of a licensed structural engineer for the mounting substrate. Refer to [Installation Instructions Sheet 23](#) and [Exton Application Guide](#) for details. Refer to page one for mounting Exton Brackets to Pole(s).

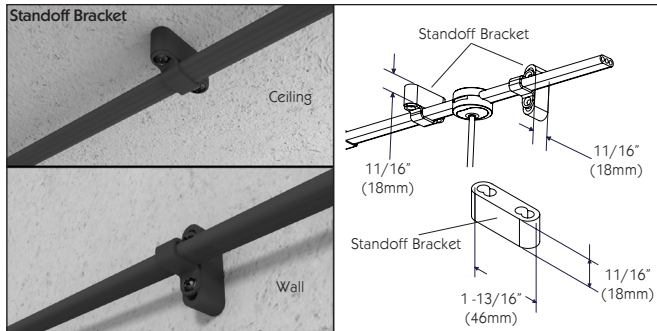


Vertical Surface Mount Bracket, Black (EX-VSB-BLK)
Vertical Surface Mount Bracket for Exton Powerspan Cable can be mounted to any suitable surface; wall, tree, pole, beam, etc. 250W per run, for up to a 110' run. Available in anodized Black (BLK) finish. Can be field painted or contact factory for custom colors. Hardware provided by others. Use fasteners as per the specification of a licensed structural engineer for the mounting substrate. Refer to [Installation Instructions Sheet 23](#) and [Exton Application Guide](#) for details. Refer to page one for mounting Exton Brackets to Pole(s).



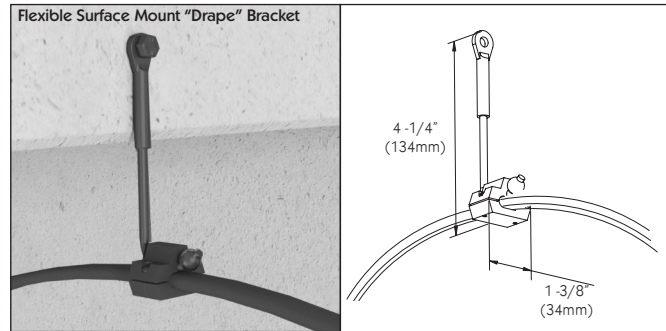
Horizontal Surface Mount Bracket, Black (EX-HSMB-BLK)
Horizontal Surface Mount Bracket for Exton Powerspan Cable can be mounted to any suitable surface; wall, tree, pole, beam, etc. 250W per run, for up to a 110' run. Available in anodized Black (BLK). Can be field painted or contact factory for custom colors. Hardware provided by others. Use fasteners as per the specification of a licensed structural engineer for the mounting substrate. Refer to [Installation Instructions Sheet 23](#) and [Exton Application Guide](#) for details. Refer to page one for mounting Exton Brackets to Pole(s).

Exton - Cable - Mounting Brackets



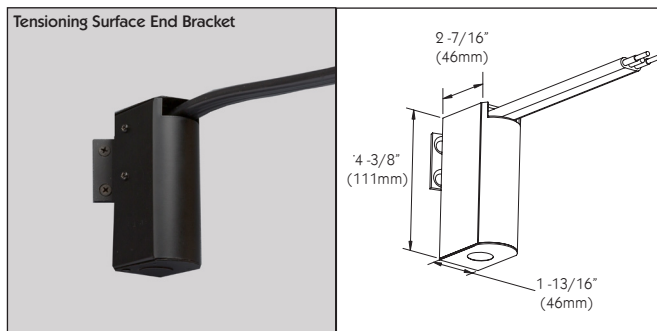
Standoff Bracket, Black (EX-SOBR-BLK)

Spacer to be used with Vertical or Horizontal Surface Mount Brackets to allow room for the EX5 module and the cable clamp when the module is positioned nearby the mounting surface. Hardware provided by others. Use fasteners as per the specification of a licensed structural engineer for the mounting substrate. Available in Black (BLK). Refer to [Installation Instructions Sheet 23](#) and [Exton Application Guide](#) for details.



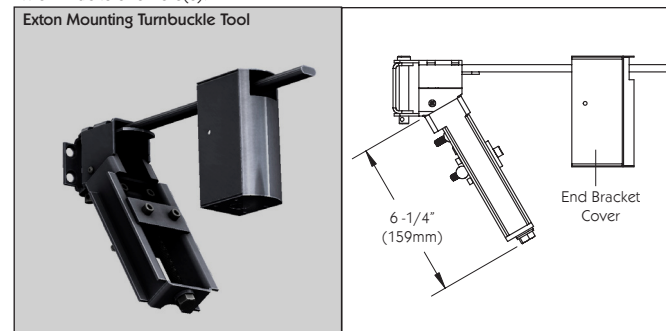
Flexible Surface Mount "Drape" Bracket, Black (EX-FSDB-BLK)

Flexible Surface Mount Bracket for Exton Powerspan Cable "Draped" installations. Can mount to any suitable surface; wall, tree, pole, beam, etc. 4.25" (115mm) AC length. Contact factory for alternative lengths. Stainless steel and Black anodized aluminum. Hardware provided by others. Use fasteners as per the specification of a licensed structural engineer for the mounting substrate. Refer to [Installation Instructions Sheet](#) and [Exton Application Guide](#) for details. Refer to page one for mounting Exton Brackets to Pole(s).



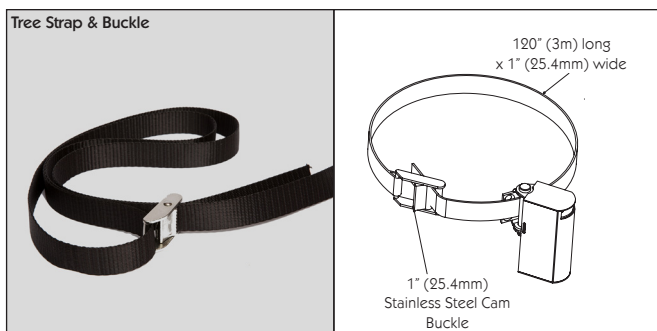
Tensioning Surface End Bracket, Black (EX-TSEB-BLK)

Tensioning Surface End Bracket for Exton Powerspan Cable installations. Can be mounted to any suitable surface; wall, tree, pole, beam, etc. 25° Horizontal side adjustment. **Two Tensioning brackets required per tensioned run.** Brackets can be installed side-by-side for multiple runs. 250W per run. Available in anodized Black (BLK) finish. Can be field painted or contact factory for custom colors. Hardware provided by others. Use fasteners as per the specification of a licensed structural engineer for the mounting substrate. Refer to [Installation Instructions Sheet 23](#) and [Exton Application Guide](#) for details.



Exton Mounting Turnbuckle Tool (EX-MTBT-BLK)

The Turnbuckle Tool's Sliding Clamp is used to incrementally pull and make the Powerspan Cable taught. Tighten cable by manually pulling it through the End Mount before using the Tool. The Tensioning Tool should only be used to tighten away the last few inches off swag. Be sure to loosen the End Mount Screws before using the Bolt, or you may damage the cable. Allow 6" of sag in the middle of the Powerspan Cable per 20' of span. For example, 40' of span (2 x 20') requires 2 x 6" (12") of sag. Keeping it tighter may create higher tension than the cable can withstand. Do not exceed 450 lbs of tension. Use provided tensioning device if necessary. Maximum Span: 110' (33" sag). Maximum # of LED Modules per Run/Circuit: 40. Maximum Shade weight: 5lb.

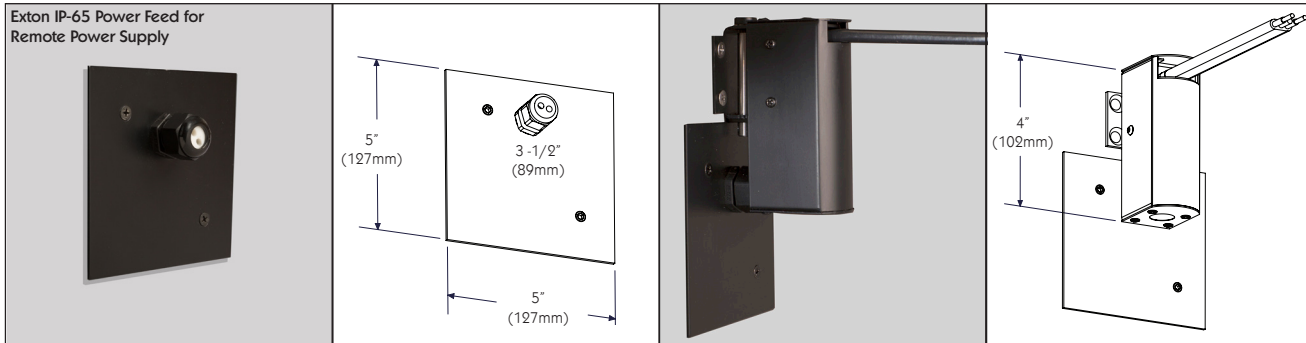


Tree Strap & Buckle (EX-TSB)

Tree Strap & Buckle Bracket for Exton Powerspan Cable mounting to a tree. 1500 lb. test, UV-resistant, water-resistant. Field-cuttable. 10' (3m) long; contact factory for alternative strap lengths longer than 10' in 1' increments. Available in Black (BLK) finish (only). Galvanized Stainless Steel buckle. **Tensioning Bracket shown is ordered separately.** Refer to [Installation Instructions Sheet 23](#) and [Exton Application Guide](#) for details.



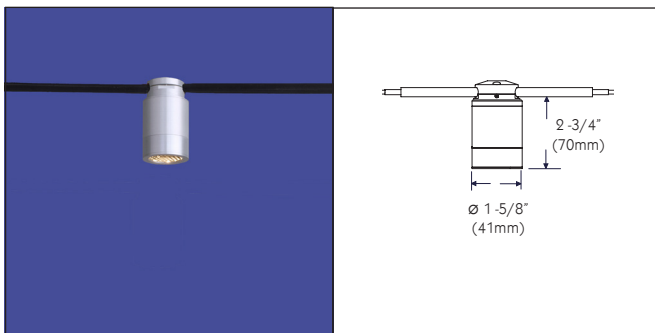
Exton - Cable - Power Feed



Exton IP-65 Power Feed for Remote Power Supply (EX-PF-BLK)

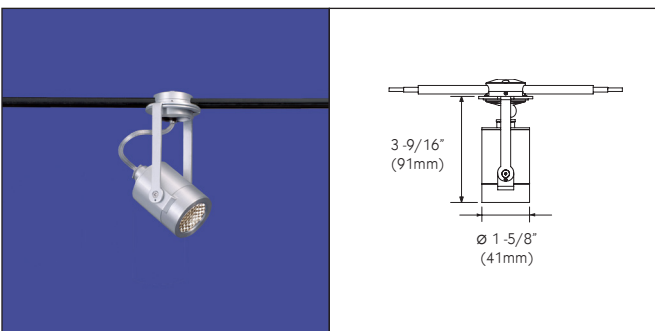
The IP-65 Power Feed will allow the Exton Power Cable to be feed into a building or Pole for connection to a Remote Power Supply. The Power Feed is not structural. It is for feeding wire (only) into a building, pole, etc. to make an electrical connection. It can not be used for tensioning. Field-paintable. Can mount to a building structure or pole. Available in Black (BLK) finish. Contact factory for custom colors. **Tensioning Bracket shown is ordered separately.** Remote Power Supply; refer to Specification Sheet 24 for options. Refer to [Installation Instructions Sheet 23](#) and [Exton Application Guide](#) for details.

Exton - Kore-EX5 LED Cable Mount Downlight



Kore-EX5 LED, Cable Mount Downlight, Aluminum/Black (EX5-K-C-15/24/35-DL-AL/BLK)

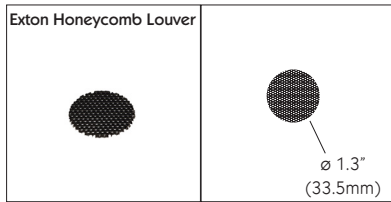
Kore-EX5 LED Downlight that fits "snug" to Exton Powerspan Cable. Features a 27K, 5W LED source with an integral current controller for 24V DC operation. Contact factory for 24K. All systems must be powered by a Tegan Lighting driver. Remote Power Supply; refer to [Power Supplies](#) for options. Available with 15°, 24° or 35° beam pattern. Flush, integral two (2) Media Holder. Image shown with Black Hexel Louver; Order Media separately. Available in anodized Aluminum (AL) or Black (BLK) finish.



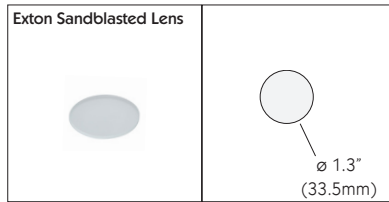
Kore-EX5 LED, Cable Mount Adjustable Downlight (EX5-K-C-15/24/35-ADJDL-AL/BLK)

Kore-EX5 LED Adjustable Downlight for Exton Powerspan Cable. Features a 360° horizontal and 120° vertical lockable design with set screw (tool provided). Features a 27K, 5W LED source with an integral current controller for 24V DC operation. Contact factory for 24K. All systems must be powered by a Tegan Lighting Driver. Remote Power Supply; refer to [Power Supplies](#) for options. Available with 15°, 24° or 35° beam pattern. Flush, integral two (2) Media Holder. Image shown with Black Hexel Louver; Order Media separately. Available in anodized Black (BLK) or Aluminum (AL) finish.

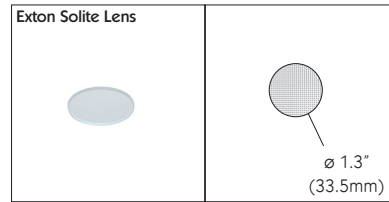
Exton - Kore-EX5 LED Cable Mount Downlight - Accessories



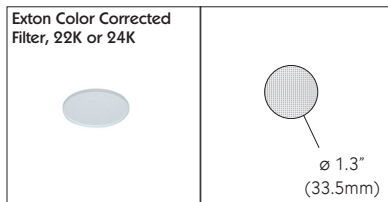
Exton Honeycomb Louver, Black (EX5-HCL-BLK)
1/8" Hexcell black metal. Controls spill illumination and glare.



Exton Sandblasted Lens (EX5-SBL)
Creates an uniform beam pattern that is useful for wall washing. Tempered glass.

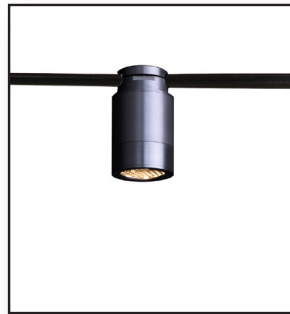


Exton Solite Lens (EX5-SOL)
Tempered glass with a stipple effect that provides obscurity while retaining high transmission values. This low-iron optically clear glass offers maximum transmission and minimal absorption.



Exton Color Corrected Filter, 22K or 24K (EX5-CCT-22K/24K)
22K or 24K Kelvin Temperature results when used with the standard 27K Cree LED.

Click on the linked images below to visit the [Exton Gallery](#).



Kore-EX5 LED Module, Downlight,
Black finish, Cable Mount



Kore-EX5 LED Module, Adjustable
Downlight, Black finish, Cable Mount

Tegan's [Exton Application Guide](#) features installation examples with complete BOM! Click on the linked image below.

