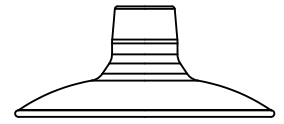


**DOMINION INTEGRATED LED SERIES**

JOB NAME: _____ FIXTURE TYPE: _____



BLE - _____ - _____ - _____ - _____ - _____ - _____ - _____ - _____

A B C D E F G

_____ - _____ - _____ - _____ - _____ - _____ - _____ - _____

H I J K L

Order Example: BLE - F - SBD14 - 307 - FM - 307 - NA - WC - 100 - LED16 - 2700K - DL

A - MOUNTING STYLE

C	Cord Hung
CN	Chain Hung
F	Flush Mount
G	Gooseneck
S	Stem Mount

B - SHADE SIZE**DOMINION:**

SBD12
SBD14
SBD16

C - SHADE FINISH**PORCELAIN FINISHES³:**

150	Black
250	White
350	Vintage Green
355	Jadite
455	Cherry Red
550	Yellow
650	Bronze
750	Cobalt Blue
765	Delphite Blue
850	Graphite
950	Metallic Chrome

POWDER COAT FINISHES⁴:

100	Black
105	Textured Black
200	White
300	Dark Green
307	Emerald Green
311	Jadite
370	Mint
380	Chartreuse
390	Teal
400	Barn Red
420	Orange
470	Watermelon
480	Blush Pink
490	Magenta
495	Sherbet Orange
500	Buttery Yellow
570	Sunflower
600	Bronze
601	Chocolate
605	Rust
615	Oil-Rubbed Bronze
700	Royal Blue
705	Navy
710	Cobalt Blue
715	Delphite Blue

C - SHADE FINISH (CONTINUED)**POWDER COAT FINISHES⁴:**

790	Lavender
800	Industrial Grey
805	Charcoal Granite
810	Graphite
975	Galvanized

NATURAL METALS⁶:

995	Raw Copper
996	Weathered Copper
997	Raw Brass
998	Weathered Brass
999	Oil-Rubbed Copper

D - MOUNTING

Please Note: If Flush Mount [F] is selected in Section A, please select **NA**

NA	Not Applicable
-----------	----------------

CSA LISTED CORDS:

SBK	Standard Black
SWH	Standard White
CSB	Black Cloth
CSW	White Cloth
CMG	Grey Cloth
CSR	Red Cloth
CRZ	Red Chevron Cloth
CSBB	Black & Brown Cloth
CSRW	Red & White Cloth
CSGW	Gold & White Cloth
CSBG	Black & Gold Cloth
CSBW	Black & White Cloth
CSBP	Black & Pink Cloth
CSUW	Blue & White Cloth

CHAIN MOUNT OPTIONS:

CN36	3' of Chain ¹
CN48	4' of Chain ¹
CN60	5' of Chain ¹
CN72	6' of Chain ¹

GOOSENECK OPTIONS:

G1¹	G11¹	G26¹
G2¹	G12¹	G32
G3^{1,2}	G13	G34¹
G4²	G14	G35¹
G5¹	G15	G36¹
G6	G16¹	G64¹
G7	G17	G65¹
G8	G22	
G9	G24	
G10	G25	

D - MOUNTING (CONTINUED)**STEM MOUNT OPTIONS:**

ST506	.5" Stem Mount, 6" ¹
ST512	.5" Stem Mount, 12" ¹
ST518	.5" Stem Mount, 18" ¹
ST524	.5" Stem Mount, 24" ¹
ST536	.5" Stem Mount, 36" ¹
ST548	.5" Stem Mount, 48" ¹
ST706	.75" Stem Mount, 6"
ST712	.75" Stem Mount, 12"
ST718	.75" Stem Mount, 18"
ST724	.75" Stem Mount, 24"
ST736	.75" Stem Mount, 36"
ST748	.75" Stem Mount, 48"

E - MOUNTING FINISH

Please Note: See **Section C** for Finish Options. 980-Brushed Aluminum is also available for Gooseneck and Stem mounting styles. If a Porcelain shade finish is selected, mounting will be powder coat painted-to-match. Porcelain shade finishes are not available with a Natural Metal mounting finish
(I) If Cord Hung [C], selection identifies canopy finish
(II) If Chain Hung [CN] Mounting Style, selection identifies chain and canopy finish. Natural Metals are not applicable
(III) If Stem Mount [S] Mounting Style, selection identifies stem and canopy finish
(IV) If Flush Mount [F] Mounting Style, selection identifies hex coupler and canopy finish. Natural Metals are not applicable

980	Brushed Aluminum
------------	------------------

F - CORDS⁵

NA	Not Applicable
-----------	----------------

Please Note: See **Section D** for all applicable CSA Listed Cord Options

G - SHADE ACCESSORIES

NA	None
WC	Wire Cage ¹

H - SHADE ACCESSORY FINISH

Please Note: See **Section C** for Finish Options. Natural Metals not applicable with Acrylic Diffuser or Wire Cage. If Porcelain Finish is selected, accessory will be powder coat painted-to-match

NA	Not Applicable
-----------	----------------

I - MOUNTING ACCESSORY

Please Note: Mounting Accessories below are only applicable with select Mounting Styles. Please refer to product listings on our website for further detail.

NA	None/Not Applicable
HSC	Hang Straight Canopy ¹⁷
LDBPC	LED Decorative Backing Plate Cover ⁸
LDCHX	LED Decorative Backing Plate Cover & Hex Cover ⁸

J - LIGHT SOURCE

LED11	850 Lumen, 11W LED
LED16	1250 Lumen, 16W LED
LED27	2000 Lumen, 27W LED
LED38	3000 Lumen, 38W LED
LED43	4000 Lumen, 43W LED

K - COLOR TEMPERATURE

2700K	2700K, Warm White
3000K	3000K, Neutral White
3500K	3500K, Bright White
4000K	4000K, Cool White

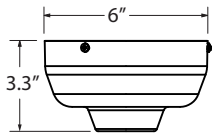
L - LED LENS

DL	Domed Lens
FL	Flat Lens

IMPORTANT: (1) Not available in Natural Metals (2) Not compatible with 16" shade size (3) All Porcelain Enamel finished shades feature a white interior and a black outer rim (4) All Powder Coat finished shades, Galvanized excluded, feature a white interior (5) Only applicable if Chain Hung Mounting Style selected in Section A, select NA if another Mounting Style is selected (6) Natural Metals have a longer estimated manufacturing time, please check the website for exact lead time. There are no returns accepted on Natural Metals (7) Only applicable if Stem Mounting Style is selected in Section A (8) Not available with G36 Gooseneck option

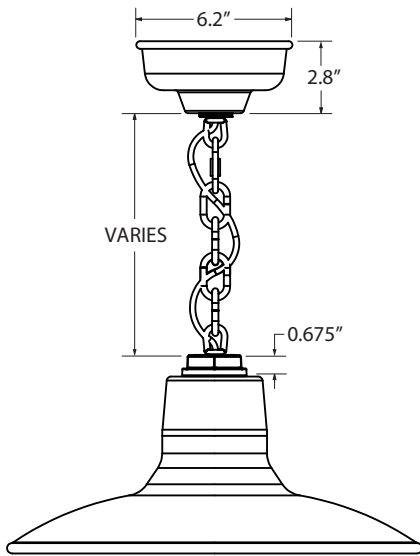
MOUNTING STYLE

HIGH LUMEN CANOPY FOR PENDANT & FLUSH MOUNT



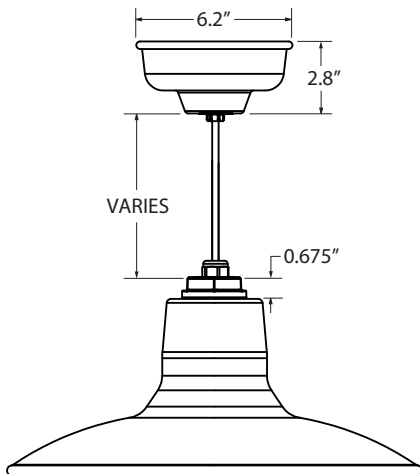
Required if LED 27, 38, 43 Light Source selected in Section J

CHAIN HUNG PENDANT (CN)



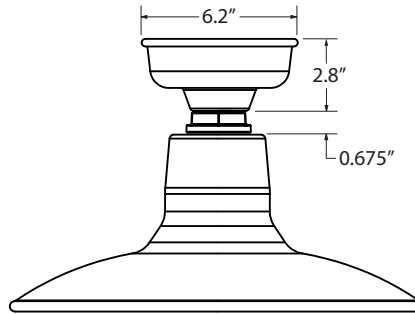
Canopy shown required if LED 11 & 16 Light Source selected in Section J

CORD HUNG PENDANT (C)



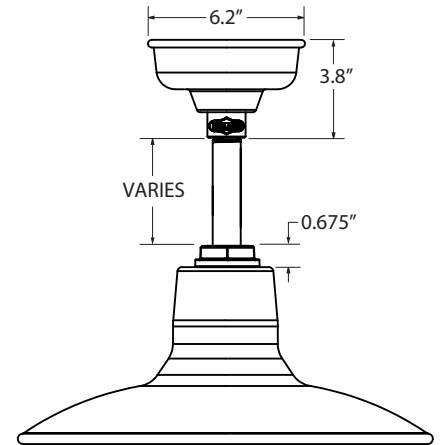
Canopy shown required if LED 11 & 16 Light Source selected in Section J

FLUSH MOUNT (F)



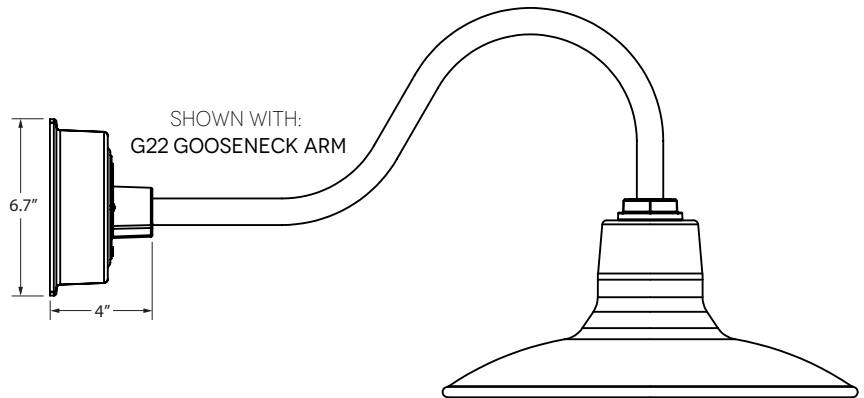
Canopy shown required if LED 11 & 16 Light Source selected in Section J

STEM MOUNT PENDANT (S)

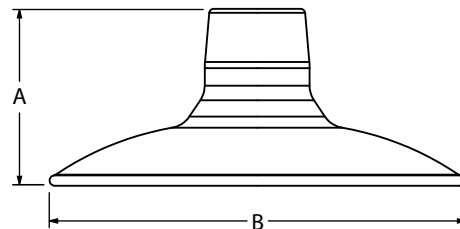


Canopy shown required if LED 11 & 16 Light Source selected in Section J

GOOSENECK (G)



LUMINAIRE DIMENSIONS



SHADE CODE	HEIGHT (A)	DIAMETER (B)
SBD12	5.25"	12"
SBD14	6"	14"
SBD16	6.75"	16"

SPECIFICATIONS

LED 11, 16, 27, 38, 43 LIGHT SOURCE

LED TYPE: CREE LMH2 MODULE
 INITIAL LUMENS DELIVERED: UP TO 4000 LUMENS
 L90(6K) > 36,300 HOURS
 AVAILABLE CCT: 2700K, 3000K, 3500K, 4000K
Custom Temperatures Available upon Request
 90+ CRI
 2 STEP MACADAMS ELLIPSE
 EFFICACY: UP TO 93 LPW
High Efficacy Available upon Request, Consult Factory for Additional Information

DIMMING

LED 11 & 16
**Triac Dimming at 100-120VAC, Able to Dim down to 5%.
 Dependent on Specific Dimmer.
 0-10V & ELV Dimming Available upon Request.**
 LED 27, 38 & 43
**0-10V Dimming, Able to Dim down to 10%.
 Dependent on Specific Dimmer.
 Triac & ELV Dimming Available upon Request.**
 TRIAC & ELV DIMMING AT 230 VAC
Available by Request
 COMPATIBLE DIMMERS
Consult Factory for Additional Information on Dimming

LED 27, 38, 43 ELECTRICAL/LED DRIVER

DRIVER TYPE: LMD400 DRIVE CURRENT: 940mA
 POWER FACTOR > 0.95 EFFICIENCY: UP TO 81% TYPICAL
 INPUT VOLTAGE: 120-277 VAC (SEE DIMMING SECTION)
 CLASS 2 POWER SUPPLY
 LED DRIVER LIFETIME: > 50,000 HOURS (@ 25 DEG C AMBIENT)
 CONDUCTED AND RADIATED EMI
Compliant with FCC CFR Title 47 Part 15 Class B (120 VAC), Class A (277 VAC) and EN55015 (CISPR 15) at 230 VAC

CERTIFICATIONS, LISTINGS & WARRANTY

MADE IN THE USA
**Manufactured and Hand-Crafted in Our 60,000 Square Foot Facility
 Located in Titusville, FL**
 CSA LISTED FOR WET LOCATIONS
Includes All Gooseneck, Stem and Flush Mounting Styles
 CSA LISTED FOR DAMP LOCATIONS
Includes All Chain and Select Cord Hung Mounting Styles
 LIMITED WARRANTY
**For Additional Information on Our Limited Warranty, Please See
 Our Terms & Conditions**
 OPERATING TEMPERATURE
 -30°C to 40°C

LED 11, 16 ELECTRICAL/LED DRIVER

DRIVER TYPE: LMD125
 DRIVE CURRENT: 440mA
 POWER FACTOR > 0.9
 EFFICIENCY: UP TO 81% TYPICAL
 INPUT VOLTAGE: 100-120 VAC (SEE DIMMING SECTION)
 CLASS 2 POWER SUPPLY
 LED DRIVER LIFETIME: > 50,000 HOURS (@ 25 DEG C AMBIENT)
 CONDUCTED AND RADIATED EMI
Compliant with FCC CFR Title 47 Part 15 Class B (120 VAC), Class A (277 VAC) and EN55015 (CISPR 15) at 230 VAC

SHADE & FINISHES

POWDER COAT SHADE
**Hand-Spun from High Purity 0.050" Thick 3003-O Temper
 Aluminum**
 PORCELAIN SHADE
Hand-Spun from 20 Gauge Sheet Metal
 POWDER COAT FINISHES
**Polyester Powder Coat Finishes Are Electro-Statically Applied and
 Thermocured**
 PORCELAIN FINISHES
Applied by Hand and Fired in a High Temperature Oven
 COPPER
Hand-Spun from High Purity .032 Thick C11000-O60 ETP Copper
 BRASS
Hand-Spun from High Purity .050" Thick C2600-O60 Brass

MOUNTING

STEM
**1/2" Nominal (0.84" Actual) or 3/4" Nominal (1.05" Actual) Sch 40,
 6063 Aluminum Mounting Stem. Custom Lengths Available upon
 Request.**
 GOOSENECK
**1/2" Nominal (0.84" Actual) or 3/4" Nominal (1.05" Actual) Sch 40,
 6063 Aluminum Gooseneck**
 CORD
**Cord-Hung Pendants Include 7' of Standard Cord or 5' of Cloth
 Cord, +/- For Socket Orientation**
 CHAIN
**4-Gauge Chain Complete with Quick Link for On-Site Adjustments
 to Chain's Length**
 MAX FIXTURE WEIGHT
10 lbs