



# Stephenville City Park

LED Proposal



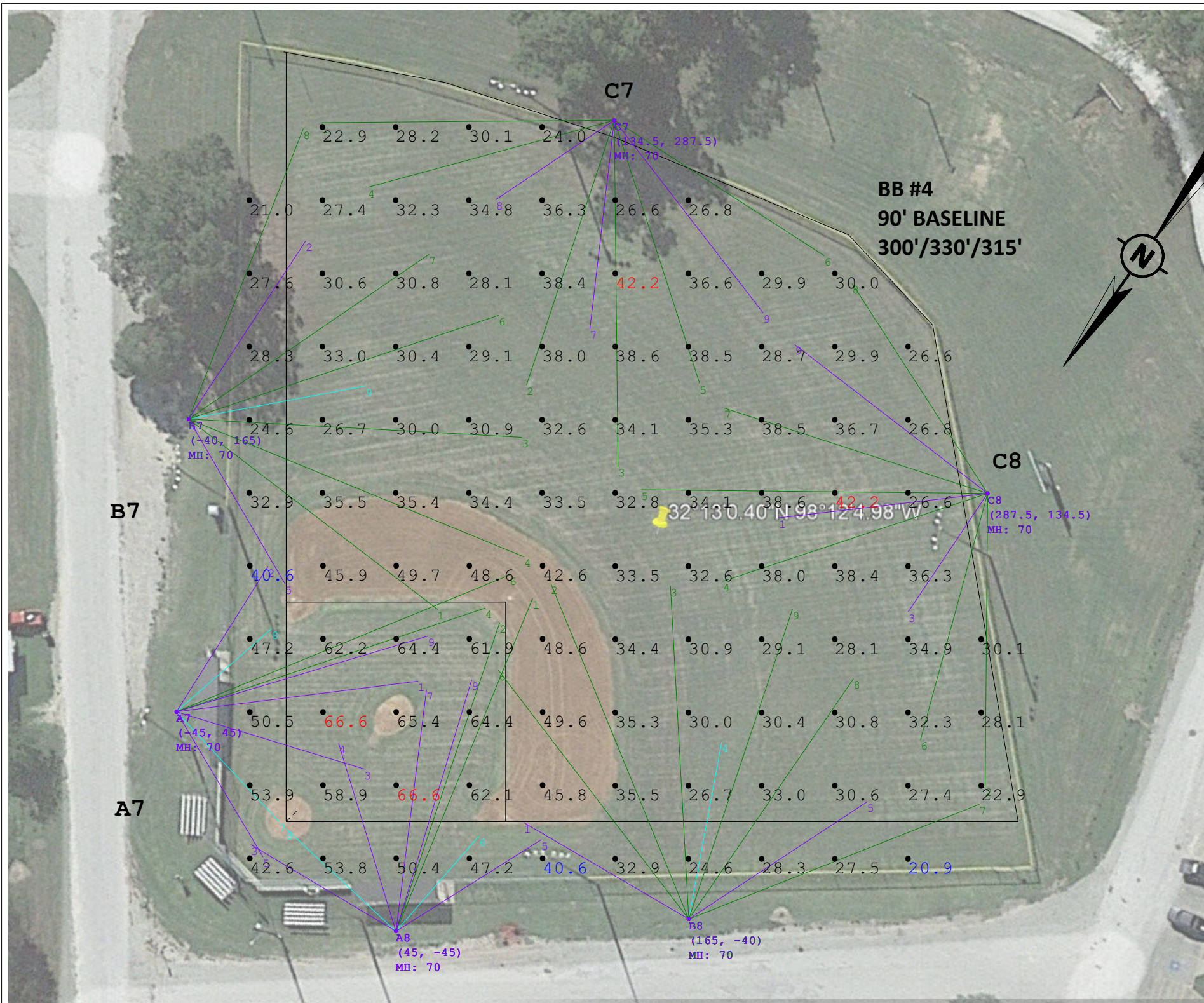
Project Name:	<u>Stephenville City Park</u>
Project City-State:	Stephenville, TX
Quote Date:	7/11/2022
Type of Field(s):	<u>Baseball/Softball</u>
Photometrics Per Design #:	50/30 FC Light Level / 22-5464, 22-5463
Warranty:	10 Year Maintenance <u>FREE</u>

Quantity	Description
6	60 Foot Mounting Height Steel Poles (L)
16	70 Foot Mounting Height Steel Poles (M)
6	6 Fixture Crossarms
6	7 Fixture Crossarms
4	8 Fixture Crossarms
6	9 Fixture Crossarms
164	CLIR 630w LED w/ Visor
164	Prewiring for Poles and Crossarms
2	Standard Wireless Control Hub

Project Notes:
<ul style="list-style-type: none"> <li>➤ Price includes all materials listed above (excluding adders &amp; deducts).</li> <li>➤ Price includes delivery to jobsite.</li> <li>➤ Price firm for 45 days.</li> <li>➤ Allow 6-8 weeks for delivery.</li> <li>➤ Price does <u>NOT</u> include SALES or USE taxes.</li> <li>➤ All work to be performed that requires a license, including but not limited to electrical &amp; plumbing will be performed by individuals currently licensed in the proper jurisdiction.</li> </ul>

Warranty Notes:
<ul style="list-style-type: none"> <li>➤ Seller warrants that Equipment furnished or manufactured by Seller will be free from defects in material and workmanship for a period - of <u>10 years</u> from date of shipment.</li> <li>➤ Seller will replace any defective material for the entire <u>10 year</u> period.</li> <li>➤ Techline will make every effort to maintain any component of our sports lighting system for the entirety of the warranty period.</li> </ul>

TURNKEY Installation Notes:
<ul style="list-style-type: none"> <li>➤ Allow 3-4 weeks for Turnkey Installation.</li> <li>➤ Pole locations must also be accessible with standard lift and not obstructed by fencing, buildings, etc. (<i>special lift &amp; matting charges not included</i>) <b>Standard</b></li> <li>➤ <b>turnkey install foundations assume 2000psi soil conditions.</b></li> <li>➤➤ <b>(Any other conditions that may be present upon installation (i.e. rock, water, etc.) that cause additional foundation design or modification - (i.e. rebar, casing, etc.) may require additional charges.)</b></li> </ul>
<p><input checked="" type="checkbox"/> <b>INCLUDES:</b></p> <ul style="list-style-type: none"> <li>✓ <b>Demolition &amp; Disposal of existing sports lighting system / fixtures.</b></li> <li>✓ Installing controls (if supplied) based on 480V 3Ø service being available within 150' of field.</li> <li>✓ Install individual conduit and wiring for each pole sized accordingly. No more than 3% voltage drop shall be allowed.</li> <li>✓ All wiring to be copper type THHN.</li> <li>✓ Auguring pole foundation holes, setting all pole stubs in holes, center/plumb/brace and backfill with 3000psi concrete</li> <li>✓ Build out pole tops including mounting cross arm assemblies, mount &amp; wire all fixtures in place, crane rental to set all pole tops in -place,</li> <li>✓ fixture aiming, <b>commissioning of controls</b>, control training, and final clean up.</li> <li>✓ <b>All permits, fees and inspections associated with the project.</b></li> <li>✓ <b>All electrical installation to meet National Electric Code requirements.</b></li> <li>✓</li> </ul>
<p><b>Total Including Turnkey Install = \$659,000.00</b></p>



Scale: 1 inch= 50 Ft.

Calculation Summary										
Scene: DEFAULT										
Label	Units	Avg	Max	Min	Max/Min	# Pts	PtSpcLr	PtSpcTb	CV	UG
#4 INFIELD	Fc	53.20	66.6	40.6	1.64	25	30	30	0.16	1.36
#4 OUTFIELD	Fc	31.43	42.2	20.9	2.02	78	30	30	0.15	1.59

Luminaire Schedule					
Scene: DEFAULT					
Symbol	Qty	Label	LLF	Lum. Watts	Arrangement
□	20	CLIR_630_OM_W	0.950	646	SINGLE
□	28	CLIR_630_OM_M	0.950	646	SINGLE
□	6	CLIR_630_OM_EW	0.950	646	SINGLE

Pole Summary		
Scene: DEFAULT		
Poles	# Lums	MH
A7	9	60'
A8	9	60'
B7	9	60'
B8	9	60'
C7	9	60'
C8	9	60'

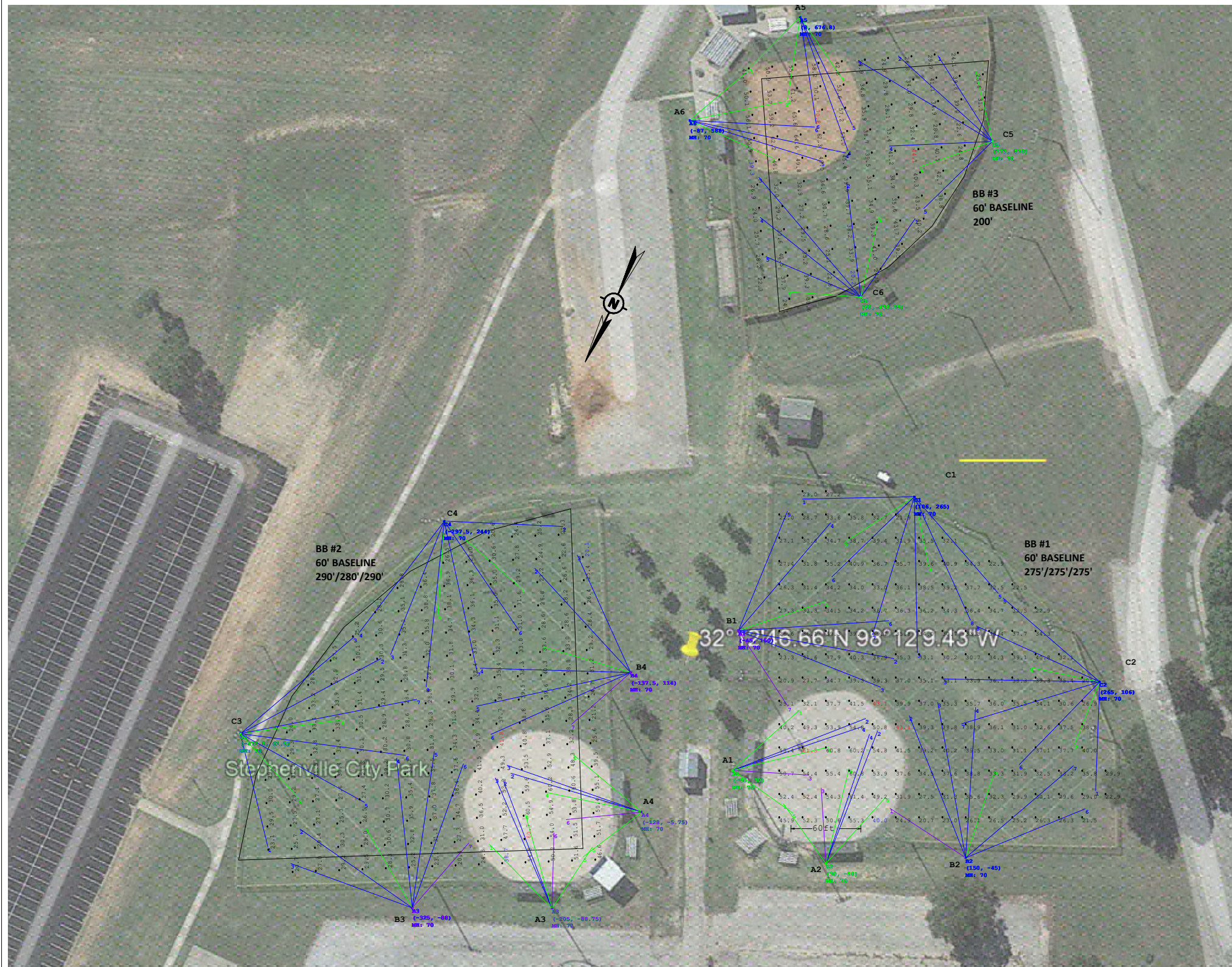
Pole Wattage Summary	
Scene: DEFAULT	
Label	Total Watts
A7	5814
A8	5814
B7	5814
B8	5814
C7	5814
C8	5814
TOTAL	34884



**STEPHENVILLE CITY PARK**  
**STEPHENVILLE, TX**  
**BASEBALL - 50/30 FC**  
**22-5463.AGI**

1. THIS LIGHTING DESIGN IS BASED ON INFORMATION SUPPLIED BY OTHERS. SITE DETAILS PROVIDED HEREON ARE REPRODUCED ONLY AS A REFERENCE AND FIELD CONDITIONS MAY SIGNIFICANTLY AFFECT PREDICTED PERFORMANCE. PRIOR TO INSTALLATION, OBTAIN ALL NECESSARY PERMITS, REGULATIONS, ORDINANCES, AND LOCAL, STATE AND FEDERAL REQUIREMENTS. THE CONTRACTOR AND/OR SPECIFIER IS RESPONSIBLE FOR THE PROJECT. 2. LUMINAIRE DATA IS TESTED TO INDUSTRY STANDARDS UNDER LABORATORY CONDITIONS. OPERATING VOLTAGE AND NORMAL MANUFACTURING TOLERANCES OF LUMINAIRE, BALLAST, AND LUMINAIRE MAY AFFECT FIELD RESULTS. 3. COMPLIANCE TO FACILITY CODE AND OTHER LOCAL REQUIREMENTS IS THE RESPONSIBILITY OF THE OWNER AND/OR THE OWNER'S REPRESENTATIVE.

**DRAWN BY: AMP**  
**Date: 7/5/2022**  
**SCALE: NTS**  
**Page M of 1**  
**22-5463.AGI**



Pole Wattage Summary	
Scene: DEFAULT	
Label	Total Watts
A1	3876
A2	3876
A3	3876
A4	3876
A5	3876
A6	3876
B1	4522
B2	4522
B3	4522
B4	4522
C1	5168
C2	5168
C3	5168
C4	5168
C5	4522
C6	4522
TOTAL	71060

Pole Summary		
Scene: DEFAULT		
Poles	# Lums	MH
A1	6	70'
A2	6	70'
A3	6	70'
A4	6	70'
A5	6	70'
A6	6	70'
B1	7	70'
B2	7	70'
B3	7	70'
B4	7	70'
C1	8	70'
C2	8	70'
C3	8	70'
C4	8	70'
C5	7	70'
C6	7	70'

Calculation Summary										
Scene: DEFAULT										
Label	Units	Avg	Max	Min	Max/Min	# Pts	PtSpCt	PtSpCb	CV	UG
#1 INFIELD	Fc	53.23	61.5	40.0	1.54	25	20	20	0.10	1.38
#1 OUTFIELD	Fc	33.32	43.1	19.8	2.18	150	20	20	0.16	1.79
#2 INFIELD	Fc	52.46	60.7	38.7	1.57	25	20	20	0.11	1.42
#2 OUTFIELD	Fc	30.94	41.8	20.1	2.08	156	20	20	0.15	1.49
#3 INFIELD	Fc	54.97	70.8	39.3	1.80	25	20	20	0.15	1.42
#3 OUTFIELD	Fc	33.14	44.1	20.2	2.18	68	20	20	0.19	1.73

Luminaire Schedule					
Scene: DEFAULT					
Symbol	Qty	Label	LLF	Lum. Watts	Arrangement
	34	CLIR_630_OM_W	0.950	646	SINGLE
	68	CLIR_630_OM_M	0.950	646	SINGLE
	8	CLIR_630_OM_EW	0.950	646	SINGLE



**STEPHENVILLE CITY PARK**  
**STEPHENVILLE, TX**  
**SOFTBALL - 50/30 FC**  
**22-5464.AGI**

1. THIS LIGHTING DESIGN IS BASED ON INFORMATION SUPPLIED BY OTHERS. SITE DETAILS PROVIDED HEREON ARE REPRODUCED ONLY AS A REFERENCE AND FIELD CONDITIONS MAY SIGNIFICANTLY AFFECT PREDICTED PERFORMANCE. PRIOR TO INSTALLATION, CRITICAL SITE INFORMATION (POLE LOCATION, OBSTRUCTION, MOUNTING HEIGHT, ETC.) SHOULD BE COORDINATED WITH THE CONTRACTOR AND/OR SPECIFIER RESPONSIBLE FOR THE PROJECT.  
 2. LUMINAIRE DATA IS TESTED TO INDUSTRY STANDARDS UNDER LABORATORY CONDITIONS. OPERATING VOLTAGE AND NOMINAL MANUFACTURING TOLERANCES OF LUMINAIRE AND LUMINAIRE MOUNTING MAY AFFECT FIELD RESULTS.  
 3. CONFORMANCE TO FACILITY CODE AND OTHER LOCAL REQUIREMENTS IS THE RESPONSIBILITY OF THE OWNER AND/OR THE OWNER'S REPRESENTATIVE.

DRAWN BY: AMP  
 Date: 7/5/2022  
 SCALE: NTS  
 Page M of 1  
 22-5464.AGI

*CLIR 630w*

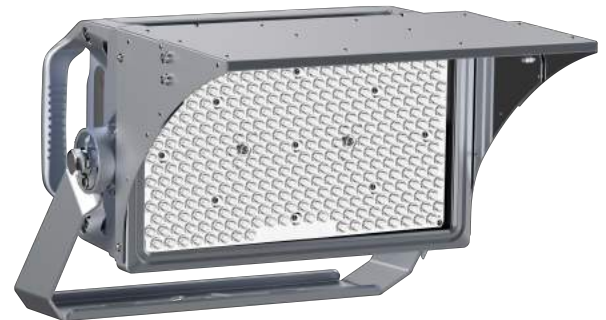
*TECHNICAL DATA*  
*FIXTURE*



**CLIR 630w**

**TECHNICAL DATA**  
**SYSTEM SPECIFICATIONS**

- SYSTEM WATTS: **630w**
- LUMEN OUTPUT: **85,000**
- kW Load: **646 watts**
- EPA: **1.5**
- WEIGHT: **41lbs**
- CLIR Module: **OM**
- BEAM ANGLE: **N, M, W, EW**
- POWER FACTOR: **0.95**
- CCT: **5700K**
- CRI: **>70Ra**
- INPUT VOLTAGE: **208-480v**
- INPUT PROTECTION: **10KV Current Surge**
- DRIVER: **Integral, Remote**
- IP RATING: **IP66, IP68**
- OPERATING TEMP RANGE: **-40°C to +55°C**
- HOUSING MATERIAL: **Aluminum Powder Coated**



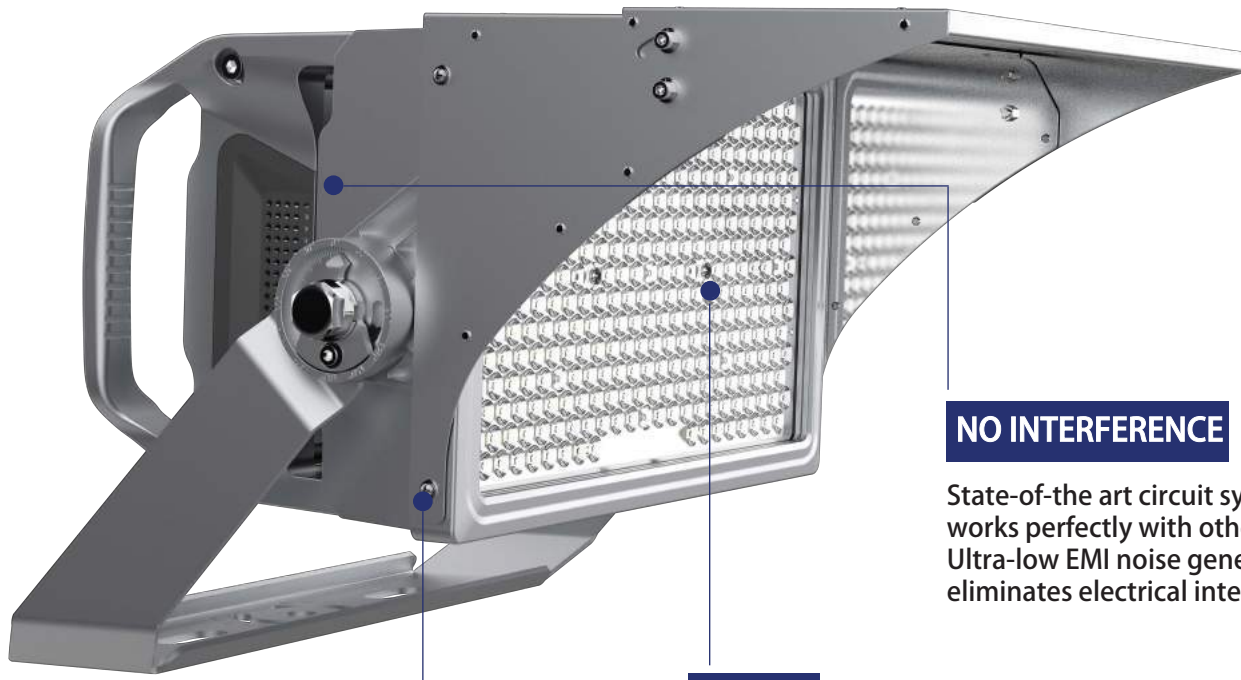
**CLIR 630w**

**TECHNICAL DATA**

**TECHNOLOGY CHANGES PERFORMANCE**

Series	Wattage	Voltage	Optic	Wattage	CCT	Options
CLIR	630W	Standard = 200-480V	N = Narrow M = Medium W = Wide EW = Extra Wide	W	5700K	EV = 20" Extended Visor

EX: CLIR-630W-S-XX-W-5700K



**NO INTERFERENCE**

State-of-the art circuit system which works perfectly with other systems. Ultra-low EMI noise generation eliminates electrical interference.

**OPTICS**

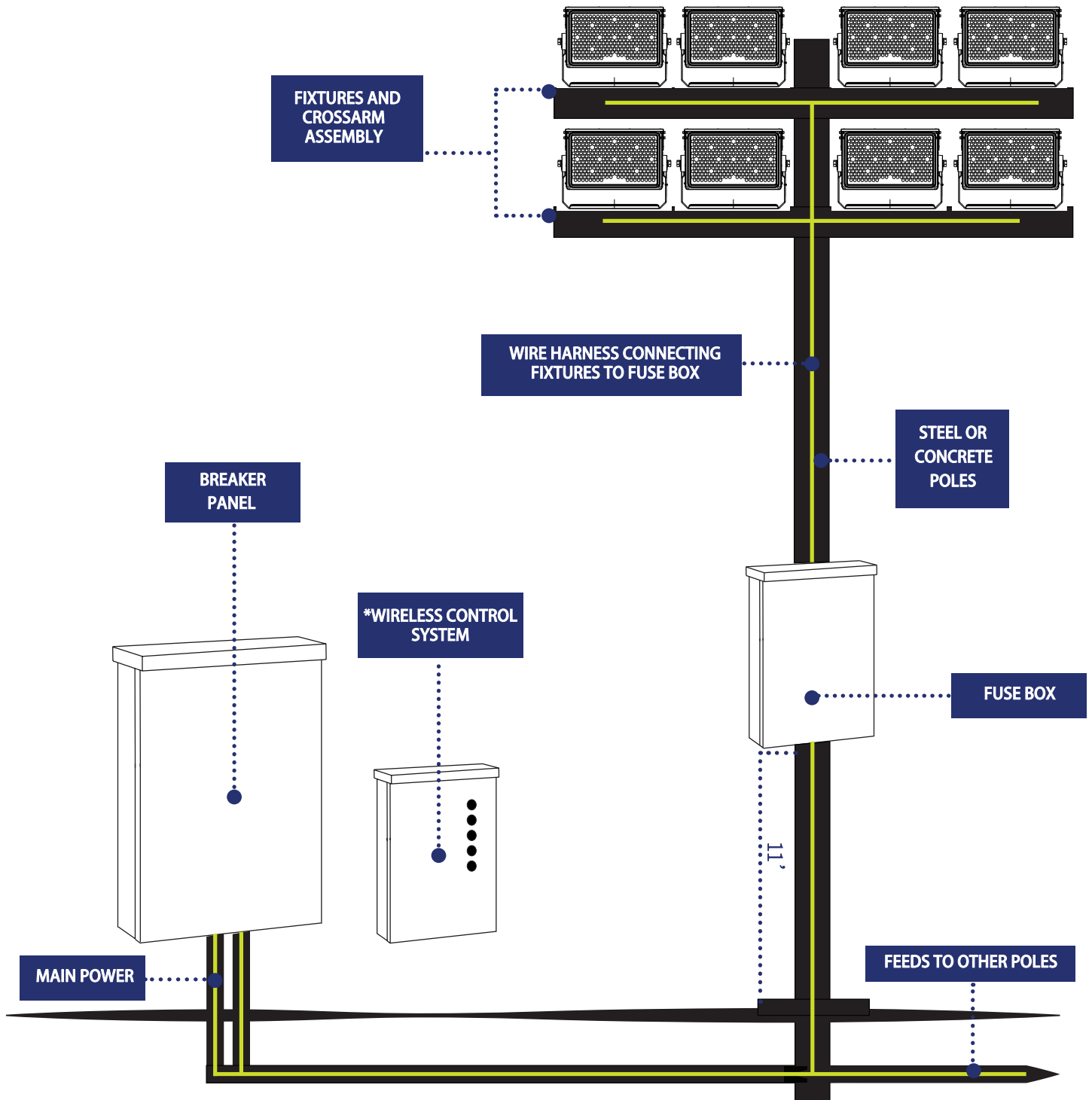
Advanced, free-form, optics designed with unique "multi-scales lenses" to create uniform light distribution and glare-reduction. Advanced materials maximize light output.

**SOLID STATE DESIGN**

Unique "SSD" design, simple, and advanced. Ensures durability of LED chip.  
All parts are individual, rugged and strong.

CLIR 630w

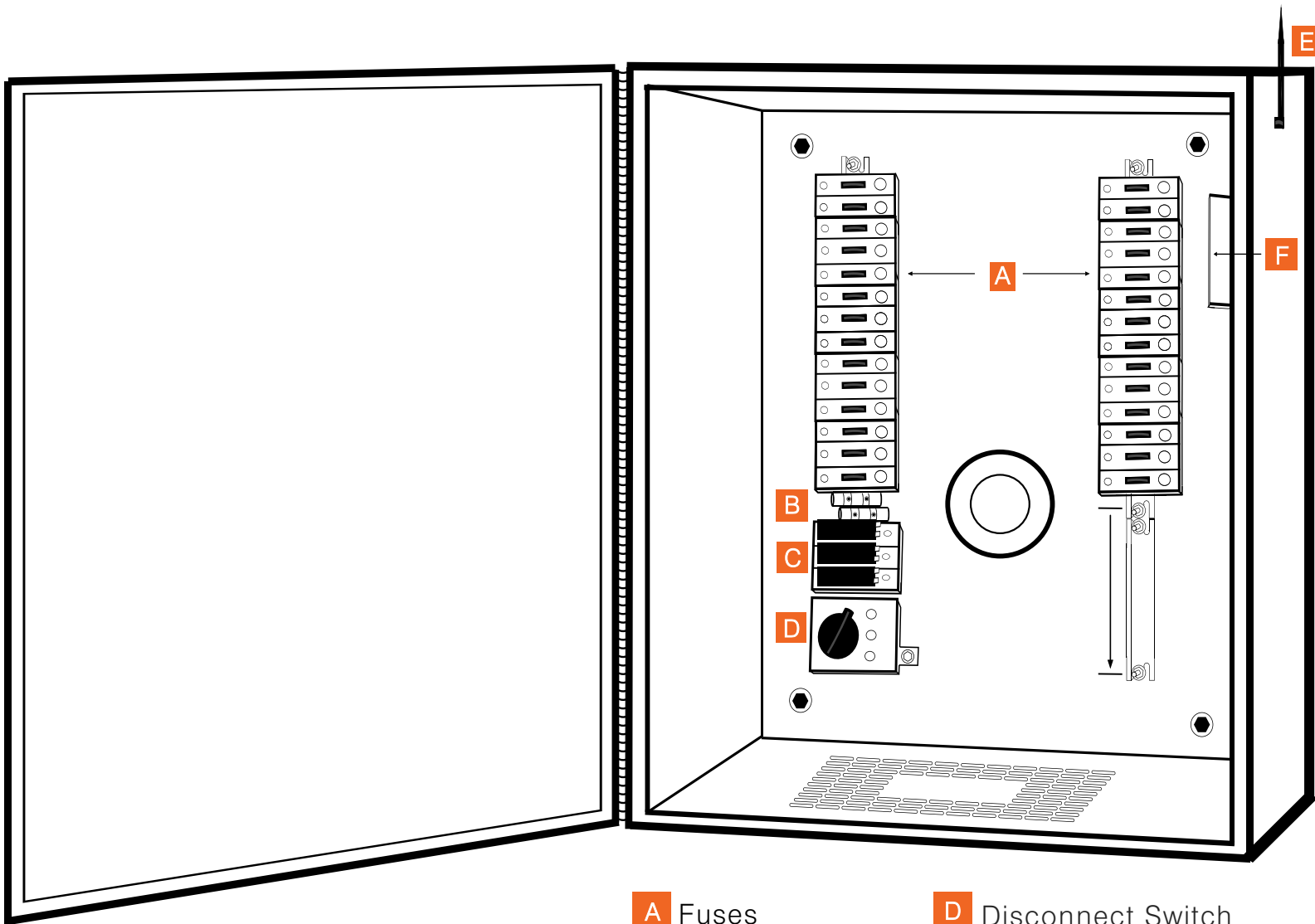
TECHNICAL DATA  
SIMPLE SYSTEM DRAWING





CLIR 630w

TECHNICAL DATA  
FUSE BOX



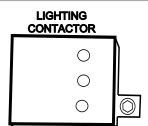
Drawings do not designate fuse size, wiring, NEMA box type, distribution block information, disconnect switch size, ampacity, and surge arrester specification

Drawing depicts a typical example of a Fuse Box (control enclosure)

A customized Fuse Box will be designed for any specific required application

- A** Fuses
- B** Ground Block
- C** Distribution Block
- D** Disconnect Switch
- E** Wireless Antenna
- F** Wireless Relay (Dimming – On/Off)

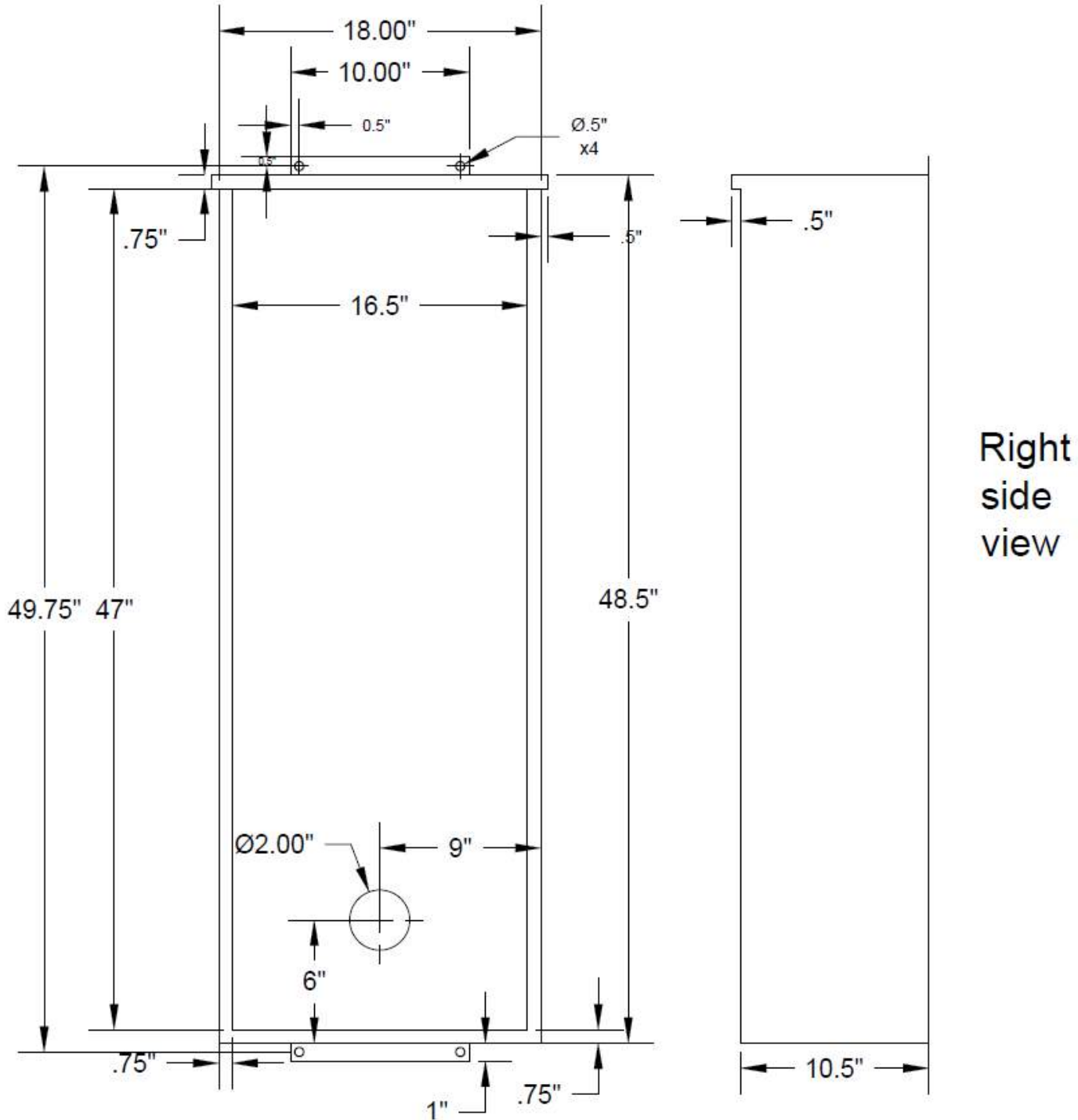
**G** \*Alternate Control Option  
(Simple ON/OFF No Dimming)



Allows Digital Contactor (AirMesh Hub by Synapse) the ability to remotely turn lights ON/OFF. This option DOES NOT allow dimming capability.

**CLIR 630w**

**TECHNICAL DATA**  
**LARGE BOX**



Drawings do not designate fuse size, wiring, NEMA box type, distribution block information, disconnect switch size, ampacity, and surge arrester specification.

For technical questions please contact us at 1-877-663-5968.

## CLIR 630w

## TECHNICAL DATA WIRELESS CONTROLLER (CONTROLLER ACCESSORIES)

### Product Overview

The **Wireless Controller** is a SimplySNAP component that can be installed anywhere you need wireless push-button lighting control, such as municipal ballparks, hockey arenas, basketball facilities, and other multi-use complexes.

The heart of the Wireless Controller is the SS450 site controller, contained in the NEMA 4X enclosure with 5 buttons that allow for controlled manual access to site lighting.

The Wireless Controller makes it easy for electricians to quickly install the SimplySNAP site controller and enables quick and simple access to a switch station that can be programmed to meet the needs of the end-user.

### Features

- Allows for controlled manual access to a SimplySNAP lighting system
- Weather protected — perfect for both indoor and outdoor applications
- Optional, pre-configured 5-button switch to allow for control of all lighting within the facility
- External Ethernet port for connecting to IT network



Product #	Description
CBSSW-450-001 Cellular & Wi-Fi	SS450-based Model w/ 5-button switch

<b>Dimensions</b>	15.5" x 13.5" x 7.7" (393 x 342 x 195 mm)
<b>Input Power</b>	90-120VAC; 8W max, 6kV surge protection
<b>Operating Environment</b>	-20°C to +55°C, IP65
<b>Radio</b>	SNAP 2.4GHz 802.15.4 Wi-Fi 2.4Ghz 802.11 b/g/n
<b>Certifications</b>	FCC/IC; Tested to CAN/CSA C22.2 No. 60950-1/A2:2014 and UL 60950-1/R:2014-10

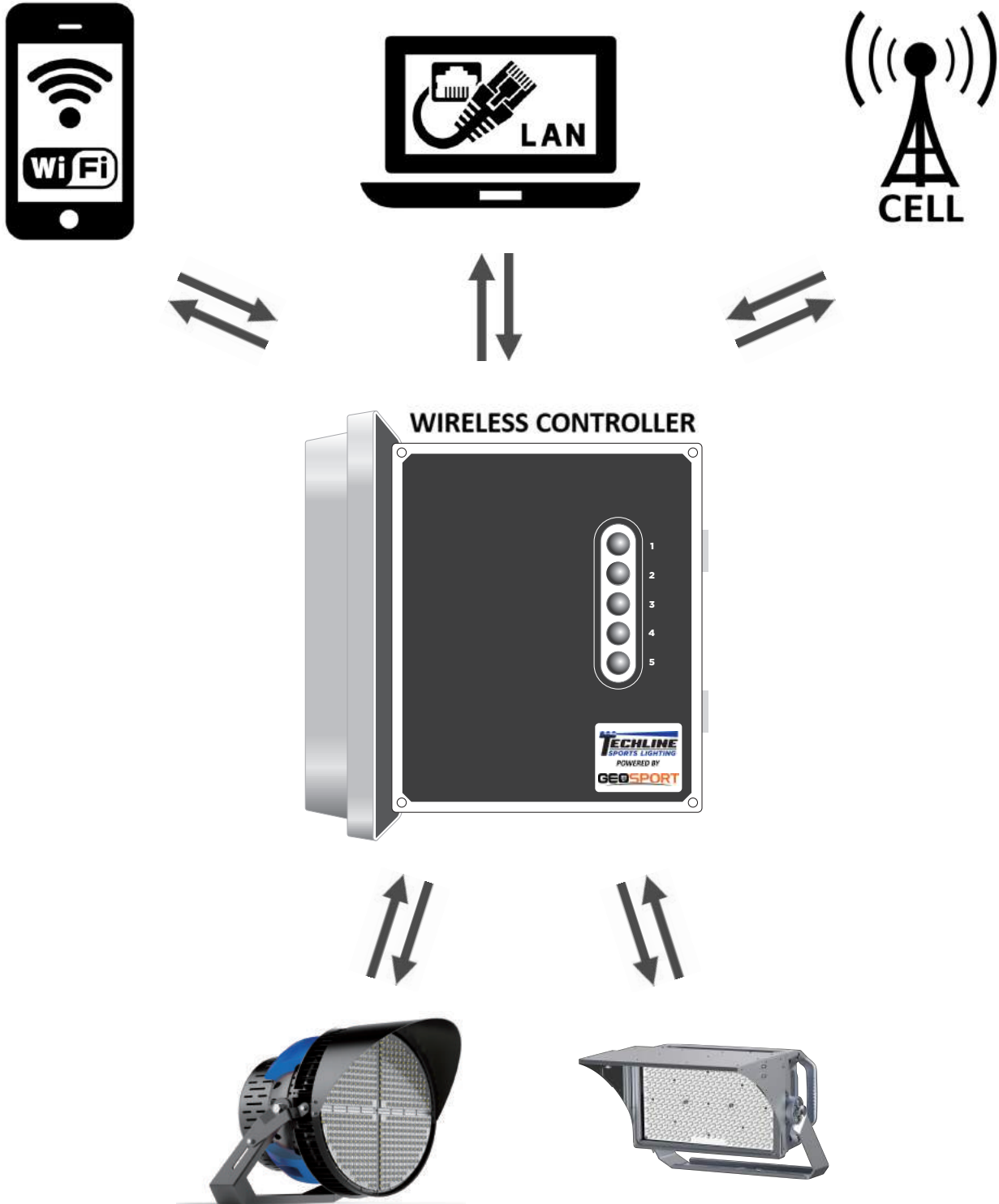
To learn more, call or visit:  
[synapsewireless.com](http://synapsewireless.com)  
(877) 982-7888



©2017 Synapse Wireless, Inc. all rights reserved. Synapse products are patented or patent pending. Specifications subject to change without notice. DOC-1000085-A-1

CLIR 630w

**TECHNICAL DATA**  
**WIRELESS CONTROLS**



**WARRANTY****10-YEAR MAINTENANCE FREE WARRANTY****TERMS & CONDITIONS****(1 of 2)**

Service under this Contract is provided by Geo-Surfaces Manufacturing, LLC (GML). Services completed under this Contract shall consist of furnishing labor and parts necessary to restore the operation of the Warranted Product(s) to original design conditions provided such service is necessitated by failure of the Warranted Product(s) during normal usage. This Contract covers Product(s) consisting of GeoSport™ Lighting LED System.

“We”, “us” and “our” mean GML. “You” and “your” mean the Purchaser of the Warranted Product(s). No one has the authority to change this Contract without the prior written approval of GML. GML shall not assume responsibility for their agents or assignees other than as described below. If there is a conflict between the terms of this Contract and information communicated either orally or in writing by one or more of our employees or agents, this Contract shall control.

**1. Special Warranty:** Manufacturer’s standard form in which manufacturer agrees to repair or replace components of luminaires, lamps, and luminaire alignment products and to correct misalignment that occurs subsequent to successful acceptance tests. Manufacturer may exclude lightning damage, hail damage, vandalism, abuse, and unauthorized repairs and alterations from special warranty coverage.

**2. Warranty Period:** Ten (10) year(s) from date of Substantial Completion.

**3. Hours of Usage:** Designs shall be based on the following hours of usage:

**4. Service Availability:** Maintenance service specialists shall be available 8:00am to 5:00pm Central Standard Time, and services shall be performed during these same hours in your local time zone, Monday through Friday (with the exception of national holidays). Hours of operation are subject to change without notice. GML will exercise all reasonable efforts to perform service under this Contract but will not be responsible for delays or failure in performing such services caused by adverse weather conditions, acts of any government, failure of transportation, accidents, riots, war, labor actions or strikes or other causes beyond its control.

**5. Repair Determination:** GML will utilize the monitoring system and any information provided by the customer to determine when the usage of the field is materially impacted. From this information, GML will determine repair and/or replacement of Warranted Product(s) and parts. Repair will be with product(s) of similar kind and quality.

**Your Requirements Under this Contract:** You must meet all electrical and installation requirements as specified by the Manufacturer. In addition, you assure: full cooperation with GML technicians and authorized servicers during diagnosis and repair of the Warranted Product(s); reasonable accessibility of the Warranted Product(s); a non- threatening and safe environment for service. You agree to check and replace fuses as needed. GML provides spare fuses in each A-pole enclosure. GML will replace spare fuses used. You agree to keep your control system online. This means keeping the required control voltage to the control system at all times. Avoiding this practice must be discussed with GML’s Warranty Department.

**6. Service Limitations Not Covered by this Contract:** Maintenance, repair or replacement necessitated by loss or damage resulting from any external causes such as, but not limited to, theft, environmental conditions, negligence, misuse, abuse, improper electrical/power supply, unauthorized repairs by third parties, attachments, damage to cabinetry, equipment modifications, vandalism, animal or insect infestation, physical damage to Warranted Product(s) parts or components, failure of existing structures, supporting electrical systems or any non-GML equipment, or acts of nature (including, but not limited to: earthquake, flood, tornadoes, typhoons, hurricanes or lightning).

**WARRANTY****10-YEAR MAINTENANCE FREE WARRANTY****TERMS & CONDITIONS****(2 of 2)****7. Contract Limitations:**

a. Exclusions from coverage: in no event will GML be liable for any special, indirect, incidental or resulting damages which include, but are not limited to, any delay in rendering service or loss of use during the repair period of the Warranted Product(s) or while otherwise awaiting parts.

b. Limitation of liability: to the extent permitted by applicable law, the liability of GML, if any, for any allegedly defective Warranted Product(s) or components shall be limited to repair or replacement of the Warranted Product(s) or components at GML's option. This contract is your sole express warranty with respect to the Warranted Product(s). All implied warranties with respect to the Warranted Product(s) including, but not limited to, implied warranties of merchantability and fitness for a particular purpose, are hereby expressly excluded.

c. For the purposes of and by your acceptance of this Contract you acknowledge and agree that if a surety bond ("Bond") is provided the warranty and/or maintenance guarantee provided for in this Contract and any corresponding liability on behalf of the issuing surety under the Bond is limited to the first twelve (12) months of said warranty and/or maintenance guarantee coverage period. Any warranty and/or guarantee coverage period in excess of said initial 12-month period does not fall within the scope of the Bond and shall be the sole responsibility of GML.

d. GML requires reasonable access for a crane or man lift equipment to service the lighting system. GML will not be responsible for damage from operating the vehicle on the property when the equipment is operated in the proper manner over the designated access route.

e. Obsolescence or Environmental Restrictions: If during any maintenance or other work performed under this Warranty, any of the parts of the Warranted Product(s) are found to be either obsolete, no longer available, or prohibited by any state or federal agency, GML shall replace said parts with comparable parts and materials with equal operating characteristics solely at GML discretion. The cost of replacement of any obsolete cellular related technology shall be borne by you. Prior to completing any such work, GML shall notify you of the cost (if any) you will incur in the replacement of such parts under this section.

**8. Transfer and Assignment:** Except to owners, you shall not have the right to assign or otherwise transfer your rights and obligations under this Contract except with the prior written consent of GML; however, a successor in interest by merger, operation of law, assignment or purchase or otherwise of your entire business shall acquire all of your interests under this Contract.

**9. Governing Law:** Unless otherwise governed by applicable state law, the Contract shall be interpreted and enforced according to the laws of the State of Louisiana.

**Subrogation:** In the event GML repairs or replaces any Warranted Product(s), parts or components due to any defect for which the manufacturer or its agents or suppliers may be legally responsible, you agree to assign your rights of recovery to GML. You will be reimbursed for any reasonable costs and expenses you may incur in connection with the assignment of your rights. You will be made whole before GML retains any amounts it may recover.

Electrical system must provide quality power withing +/- 3% of nominal voltage and must have surge protection for each sports lighting pole.

