

Exton Powerspan Cable System



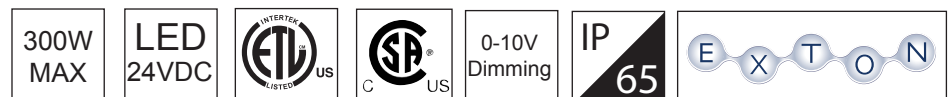
Category:	Exton Direct Mount Module with S Envelope and Brilliant Gem features Tegan's exclusive Powerspan Cable. Can be installed with tensioned or swagged mounting. Designed for use with a remote Power Supply Enclosure with Driver. Optional 0-10V Dimming.
Material:	<p>Powerspan Cable: Embedded stainless steel wire in the center of the custom cable with 10 gauge conductors inside a IP-65 Self-Sealing Jacket.</p> <p>Mounting: Powdercoated or anodized steel and aluminum.</p> <p>Kore-EX5 LED Module: UV stable exterior anodized aluminum, UV stable polycarbonate, glass lenses, O-rings.</p> <p>Gem: Faceted glass, tooled.</p> <p>Envelope: Hand blown, tooled glass. Note: Tegan's Glass Envelopes are hand blown with tooling. While the tooling provides consistency in scale, the Envelopes will have minor variations from Envelope-to-Envelope and batch-to-batch in scale and appearance. There also can be minor bubbles (clear/frosted versions) and tool marks on the surface. These are all common attributes of blown glass.</p>
Finish:	<p>Powerspan Cable: Black (BLK). Custom finishes not available.</p> <p>Kore-EX5 LED Module: Exterior rated, brushed, two-step electrolytic color anodizing. Anodized Black (BLK) or Anodized Aluminum (AL).</p> <p>Gem: Faceted Clear, Faceted Frosted, Faceted Amber.</p> <p>Envelope: Clear/Frosted, Clear Rain Bubble Pattern, Amber Rain Bubble Pattern.</p> <p>Mounting: Powdercoated Black.</p>
Power Supply Enclosure:	Refer to Exton Power Supply IP20 Specs sheet , IP24 Specs sheet or IP66 Specs sheet for details.
Powerspan Cable:	Exton Powerspan, Self-Sealing Cable is IP-65 for interior/exterior use. Supplied in 1' (30.5cm) increments, with End Cap, as a stand alone to be tensioned or swagged. Field cuttable. Refer to Installation Instructions for max Powerspan runs.
Mounting:	Surface Mount 2" Wrap Bracket, Black Finish (EX-SWB-2-BLK), Surface Mount 3" Wrap Bracket, Black Finish (EX-SWB-3-BLK), Vertical Surface Mount Bracket, Black Finish (EX-VSB-BLK), Horizontal Surface Mount Bracket, Black Finish (EX-HSMB-BLK), Standoff Bracket, Black Finish (SOBR-BLK) Surface Mount "Drape" Bracket, Black Finish (EX-FSDB-BLK), Tensioning Surface End Bracket, Black Finish (EX-TSEB), 10' (3m) Tree Strap & Buckle, Black Finish (EX-10-TSB-BLK). Exton End Cap - Black Finish (EX-EC-BLK).
Pole Mounting:	<p>Tegan has partnered with AV Poles & Lighting. Poles can be ordered from Tegan Lighting. AV is well-versed on the Exton System and has installed many similar tensioned projects.</p> <p>As required, engineering services will be provided in the quote to insure proper structural installation per code requirements. Refer to Exton Application Guide for information and more details. Poles can also be provided by others; engineering is required by others to ensure structural integrity.</p> <p>Note: <u>Tegan is not responsible for Poles/Engineering provided by others.</u></p>
Cable Span:	Maximum Cable mounting is 110' (33.5m). Note that the cable must be a continuous run without interruption. 300W max. per circuit. When specifying cable length, add 20% to the run length for installation.
Power Feed:	Exton IP-65 Power Feed for Remote Power Supply - Black Finish (EXPF-BLK); Field paintable; contact Factory for custom colors. Mounts to IP65 J-Box (for exterior Install), by others. Note: Power Feed cannot be used for structural Powerspan Cable support. Refer to Installation Instructions for details.
LED:	High Wattage Array Cree LED, 2-Step Macadam. 5W @ 500 Lumen Output with 2700K 82-85 CRI typical. All values are initial lumens. For exact lumen output and wattage consumption data, please consult LM79 reports. Online power consumption does not include driver losses. Contact factory for 3000K, 3500K, 4000K or 90 CRI.
Electrical:	24VDC. Total input watts per EX-5 Module: 6.5W. 300W max. per circuit.
Optics:	A 15° reflector is supplied in all S Envelope options to maximize decorative element illumination.
Remote Power Supply:	The Exton System is designed for use with a Remote Power Supply Enclosure and Driver. Refer to Exton Power Supply IP20 Specs sheet , IP24 Specs sheet or IP66 Specs sheet for details. <u>Use of Tegan Lighting Power Enclosures and Drivers only.</u> If supplied "by others" the warranty and listing are void.



Exton Powerspan Cable System

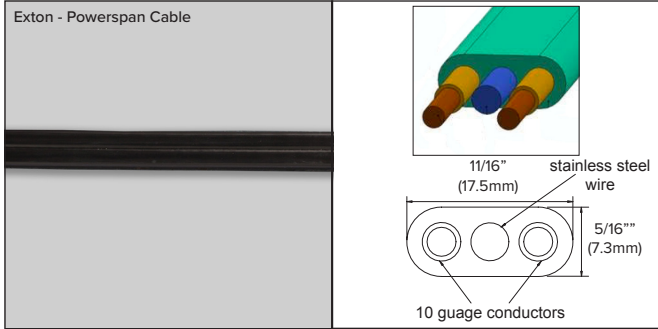
Kore-EX5 IP65 Powerspan Cable with
Direct Mount "S" Envelope
and Brilliant Gem

- Glass Gems:** Faceted "Brilliant" Clear Sparkle Gem (BCG), Faceted "Brilliant" Frosted Gem (BFG), Faceted "Brilliant" Amber Sparkle Gem (BAG). Contact factory for alternative stock or custom colors (100+ units).
- Envelopes:** "S" (Sign) Glass Envelope Clear (SEC), "S" (Sign) Glass Envelope Clear Rain Bubble Pattern (SECRP), "S" (Sign) Glass Envelope Amber Rain Bubble Pattern (SEARP). Contact factory for alternative stock or custom colors (over 100 units).
- Accessories:** 22K Color Correct Filter (CCT-22K), 24K Color Correct Filter (CCT-24K).
Note: CCT22/24 = Kelvin Temperature results when used with the standard 27K Cree LED.
- Engineering:** Due to mathematical laws, tightening and loading any taut end-supported flexible cable puts tensile loads upon its supports (walls, trees, posts, etc.) that is orders of magnitude greater than the weight of the cable and its dynamic loading. Taut/tensioned installations require extremely strong end supports, and it is up to the Structural Engineer/specifier and installer to match the strength of the end support structures with the combined level of tautness and static (weight of cable/fixtures) and dynamic (e.g. wind/ice/vermin) load of the cable. Refer to [Installation Instructions](#) for details.
- Installation:** Exton is not approved or listed for indoor pool/sauna installations. Refer to [Installation Instructions #23](#) for details. For system layout, and specification assistance, refer to the [Exton Application Guide](#) for details.
- Labels:** ETL Listed; Tested to UL 2108 Low Voltage Lighting Systems. In a continuing effort to offer the best product possible we reserve the right to change, without notice, specifications or materials. Technical specification sheets that appear on [teganlighting.com](#) are the most recent version and supersede all other versions that exist in any other printed or electronic form. Kore-EX5 Module and Cable - 3 year warranty. Envelopes and Architectural Shades: limited three year warranty. Refer to [Exton Application Guide](#) for details. Consult with an Arborist for proper tree installation per the type of tree(s). Tegan Lighting is not liable for any damage/injury as a result of tree installation. Refer to [Installation Instructions](#) for more details.



Exton Powerspan Cable System

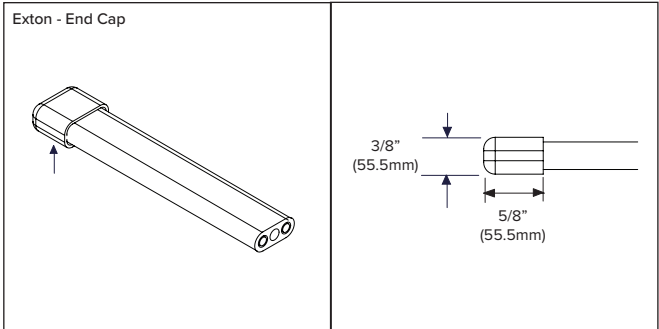
Exton - Powerspan Cable



Exton - Powerspan Cable - Black

(EX-C-BLK)

Exton Self-Sealing Powerspan Cable is IP-65 for interior/exterior applications. Order in 1' (30.5cm) increments. Exton Powerspan Cable contains two #10 AWG stranded copper conductors alongside a central strand of steel support cable. Field cuttable. 24VDC at 250W Max. per run. Polarity does not matter. Available in Black finish (only). Refer to [Installation Instructions Sheet](#) and [Exton Application Guide](#) for details.

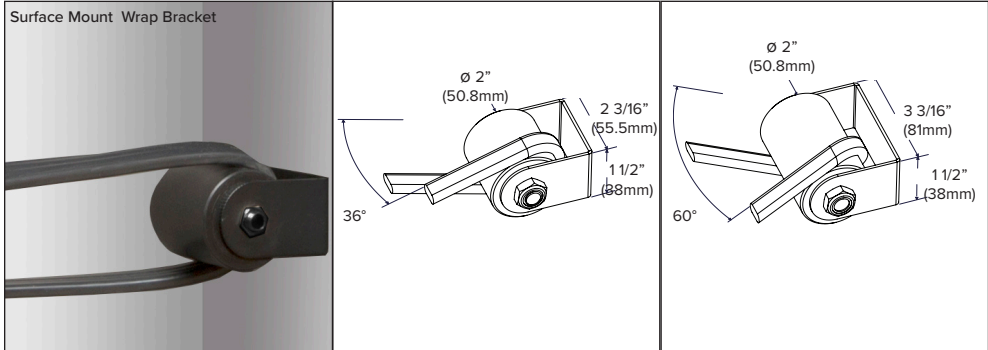


Exton End Cap - Black Finish

(EX-EC-BLK)

Exton End Cap is for interior/exterior applications. One (1) required per run. Available in Black finish (only). Refer to [Installation Instructions Sheet 23](#) and [Exton Application Guide](#) for details.

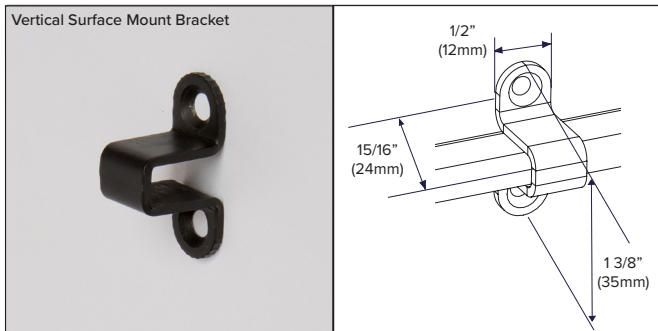
Exton - Cable - Mounting Brackets



Surface Mount 2" Wrap Bracket, Black
Surface Mount 3" Wrap Bracket, Black

(EX-SWB-2-BLK)
(EX-SWB-3-BLK)

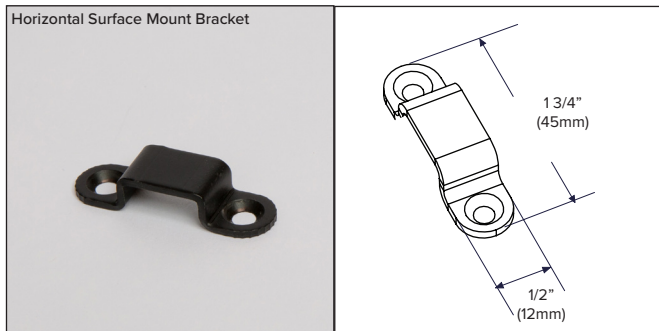
Surface Mount Wrap Bracket, 2 3/16" (55.5mm) or 3 3/16" (81mm), for Exton Powerspan Cable mounting to any suitable surface; wall, tree, pole, beam, etc. to continue up to a 110' (33.5m) run. 250W per run. Available in anodized Black (BLK) finish. Can be field painted or contact factory for custom colors. Hardware provided by others. Use fasteners as per the specification of a licensed structural engineer for the mounting substrate. Refer to [Installation Instructions Sheet 23](#) and [Exton Application Guide](#) for details. Refer to page one for mounting Exton Brackets to Pole(s).



Vertical Surface Mount Bracket, Black

(EX-VSB-BLK)

Vertical Surface Mount Bracket for Exton Powerspan Cable can be mounted to any suitable surface; wall, tree, pole, beam, etc. 250W per run, for up to a 110' run. Available in anodized Black (BLK) finish. Can be field painted or contact factory for custom colors. Hardware provided by others. Use fasteners as per the specification of a licensed structural engineer for the mounting substrate. Refer to [Installation Instructions Sheet 23](#) and [Exton Application Guide](#) for details. Refer to page one for mounting Exton Brackets to Pole(s).



Horizontal Surface Mount Bracket, Black

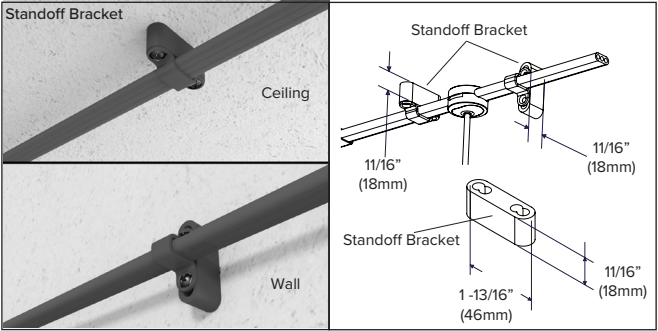
(EX-HSMB-BLK)

Horizontal Surface Mount Bracket for Exton Powerspan Cable can be mounted to any suitable surface; wall, tree, pole, beam, etc. 250W per run, for up to a 110' run. Available in anodized Black (BLK). Can be field painted or contact factory for custom colors. Hardware provided by others. Use fasteners as per the specification of a licensed structural engineer for the mounting substrate. Refer to [Installation Instructions Sheet 23](#) and [Exton Application Guide](#) for details. Refer to page one for mounting Exton Brackets to Pole(s).



Exton Powerspan Cable System

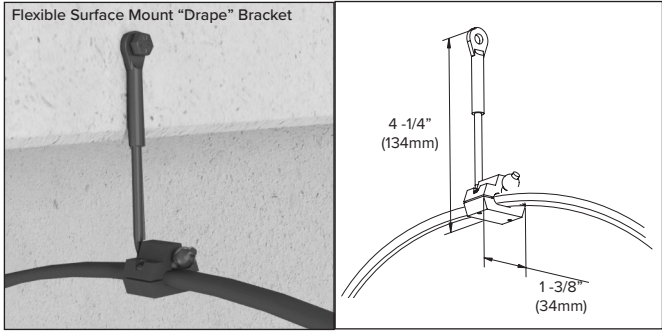
Exton - Cable - Mounting Brackets



Standoff Bracket, Black

(EX-SOBR-BLK)

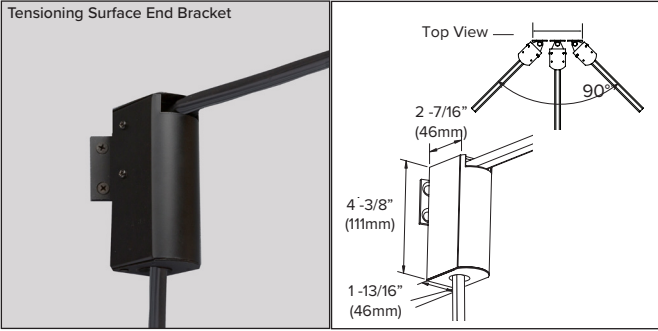
Standoff to be used with Vertical or Horizontal Surface Mount Brackets to allow room for the EX5 module and the cable clamp when the module is positioned close to the mounting surface. Available in Black (BLK). Hardware provided by others. Use fasteners as per the specification of a licensed structural engineer for the mounting substrate. Refer to [Installation Instructions Sheet](#) and [Exton Application Guide](#) for details.



Flexible Surface Mount "Drape" Bracket, Black

(EX-FSDB-BLK)

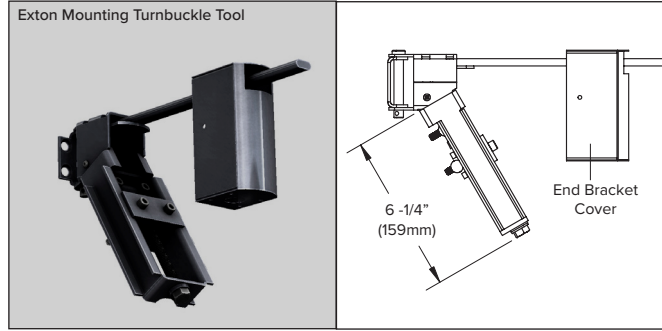
Flexible Surface Mount Bracket for Exton Powerspan Cable "Draped" installations. Can mount to any suitable surface; wall, tree, pole, beam, etc. 4.25" (115mm) AC length. Contact factory for alternative lengths. Stainless steel and Black anodized aluminum. Hardware provided by others. Use fasteners as per the specification of a licensed structural engineer for the mounting substrate. Refer to [Installation Instructions Sheet](#) and [Exton Application Guide](#) for details. Refer to page one for mounting Exton Brackets to Pole(s).



Tensioning Surface End Bracket, Black

(EX-TSEB-BLK)

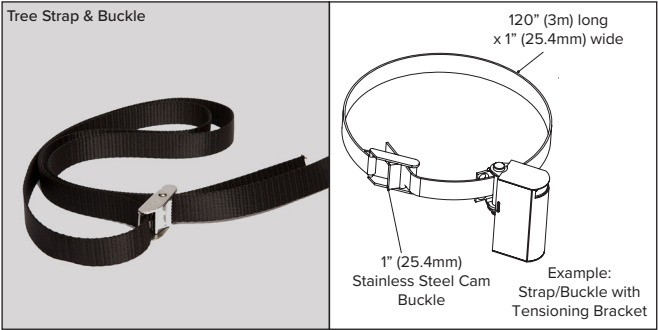
Tensioning Surface End Bracket for Exton Powerspan Cable installations. Can be mounted to any suitable surface; wall, tree, pole, beam, etc. 25° Horizontal side adjustment. **Two Tensioning brackets required per tensioned run.** Brackets can be installed side-by-side for multiple runs. Tension Mount Brackets can hold Powerspan Cable so it angles at up to 45° away from perpendicular, for a total adjustability of 90° left and right. The Tension Mount Bracket can be used in tensioned or loose "swagged" installations. Available in anodized Black (BLK) finish. Can be field painted or contact factory for custom colors. Hardware provided by others. Use fasteners as per the specification of a licensed structural engineer for the mounting substrate. Refer to [Installation Instructions Sheet](#) and [Exton Application Guide](#) for details.



Exton Mounting Turnbuckle Tool

(EX-MTBT-BLK)

The Turnbuckle Tool's Sliding Clamp is used to incrementally pull and make the Powerspan Cable taught. Tighten cable by manually pulling it through the End Mount before using the Tool. The Tensioning Tool should only be used to tighten away the last few inches off swag. Be sure to loosen the End Mount Screws before using the Bolt, or you may damage the cable. Allow 6" of sag in the middle of the Powerspan Cable per 20' of span. For example, 40' of span (2 x 20') requires 2 x 6" (12") of sag. Keeping it tighter may create higher tension than the cable can withstand. Do not exceed 450 lbs of tension. Use provided tensioning device if necessary. Maximum Span: 110' (33" sag). Maximum # of LED Modules per Run/Circuit: 40. Maximum Shade weight: 5lb.



Tree Strap & Buckle

(EX-10-TSB)

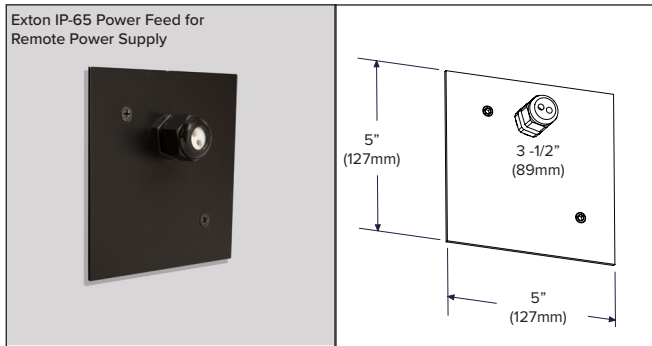
Tree Strap & Buckle Bracket for Exton Powerspan Cable mounting to a tree. 1500 lb. test, UV-resistant, water-resistant. Field-cutttable. 10' (3m) Strap length; contact factory for alternative strap lengths over 10' in 1' increments. Strap available in Black (BLK) finish (only). Galvanized Stainless Steel buckle (only). Tensioning Bracket shown is ordered separately. Refer to [Installation Instructions Sheet](#) and [Exton Application Guide](#) for details.



Exton Powerspan Cable System

Kore-EX5 IP65 Powerspan Cable with
Direct Mount "S" Envelope
and Brilliant Gem

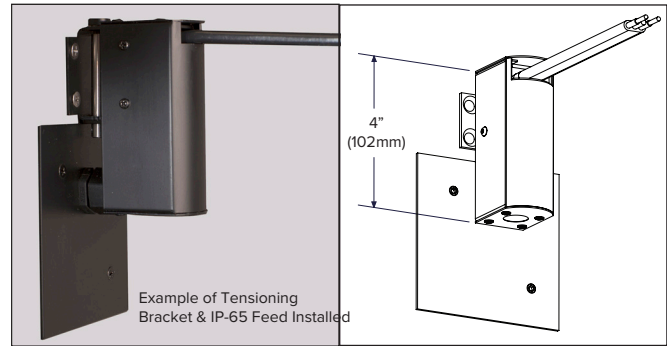
Exton - Cable - Power Feed



Exton IP-65 Power Feed for Remote Power Supply

(EX-PF-BLK)

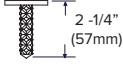
The IP-65 Power Feed will allow the Exton Power Cable to feed into a building or Pole for connection to a Remote Power Supply. The Power Feed is not structural. It is for feeding wire (only) into a building, pole, etc. to make an electrical connection. It can not be used alone for tensioning/swag mounting. Field-paintable. Can mount to a building structure or pole. Available in Black (BLK) finish. Contact factory for custom colors (backplate only). Tensioning Bracket shown is ordered separately. Remote Power Supply; refer to Specification Sheet 24 for options. Refer to [Installation Instructions Sheet](#) and [Exton Application Guide](#) for details.



Exton Powerspan Cable System

Kore-EX5 IP65 Powerspan Cable with
Direct Mount "S" Envelope
and Brilliant Gem

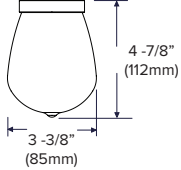
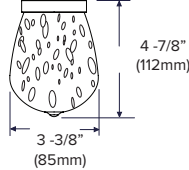
Exton - Kore-EX5 Glass "Gem" Types



Exton Brilliant Clear, Frosted, or Amber Glass Gem Multifaceted "Brilliant" Sparkle glass Gem for Kore-EX5 Module.

1. Contact factory for a custom design gem. Refer to p. 2 for minimum units

Kore-EX5 - Glass Envelopes - Sign (S) Types

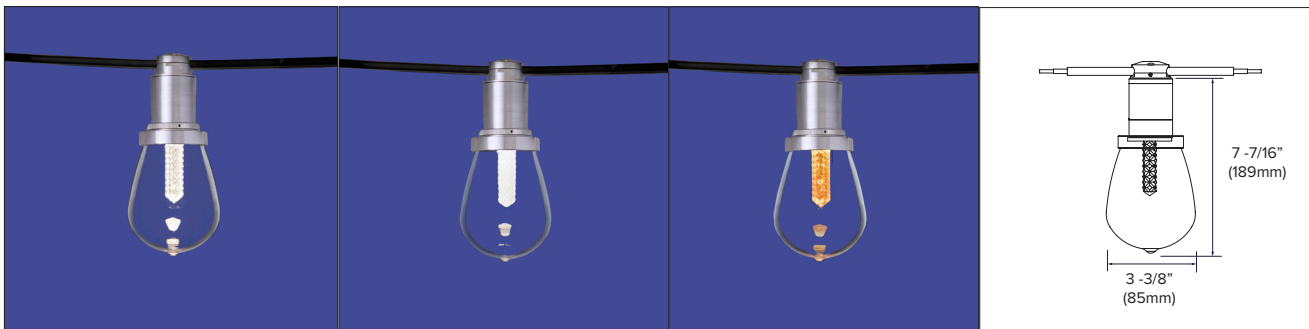



"S" Glass Envelope, Clear Hand Blown, Clear Sign (S) Shape Glass Envelope for Kore-EX5.

"S" Glass Envelope, Clear or Amber Bubble Pattern Hand Blown, Clear or Amber Rain Bubble Pattern Sign (S) Shape Glass Envelope for Kore-EX5.

1. Contact Factory for alternative color options. Refer to page 2 for minimum units.

Exton - Cable - Kore-Ex5 24VDC Direct Mount Module with "S" Envelope & Gem - Combinations



Kore-EX5 LED Module, Cable Mount, S Envelope Clear, "Brilliant" Clear Gem. Aluminum (AL) or Black (BLK) finish.

(EX5-K-C-SEC-BCG-AL)
(EX5-K-C-SEC-BCG-BLK)

Kore-EX5 LED Module, Cable Mount, S Envelope Clear, "Brilliant" Frosted Gem. Aluminum (AL) or Black (BLK) finish.

(EX5-K-C-SEC-BFG-AL)
(EX5-K-C-SEC-BFG-BLK)

Kore-EX5 LED Module, Cable Mount, S Envelope Clear, "Brilliant" Amber Gem. Aluminum (AL) or Black (BLK) finish.

(EX5-K-C-SEC-BAG-AL)
(EX5-K-C-SEC-BAG-BLK)

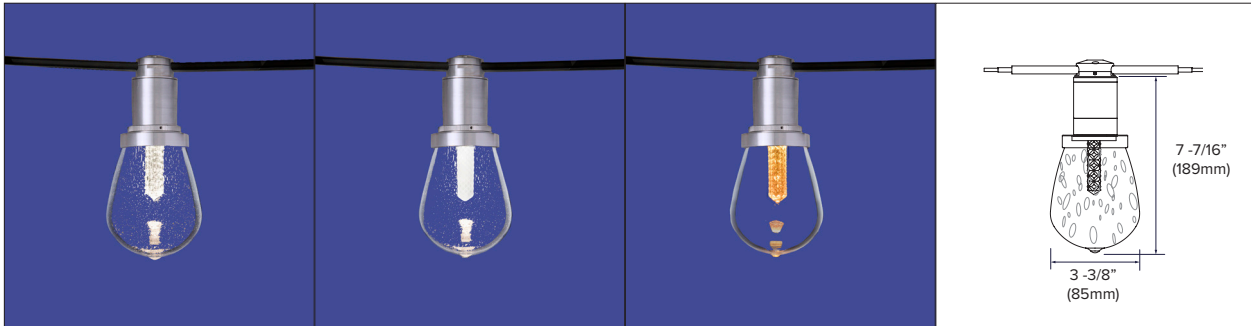
1. Order Power Supplies separately. Refer to [Power Supplies](#) for options.
2. Order Accessories on p. 2 separately.



Exton Powerspan Cable System

Kore-EX5 IP65 Powerspan Cable with
Direct Mount "S" Envelope
and Brilliant Gem

Exton - Cable - Kore-EX5 24VDC Direct Mount Module with "S" Envelope & Gem - Combinations



Kore-EX5 LED Module, Cable Mount, S Envelope Clear Rain Bubble Pattern, "Brilliant" Clear Gem. Aluminum (AL) or Black (BLK) finish.

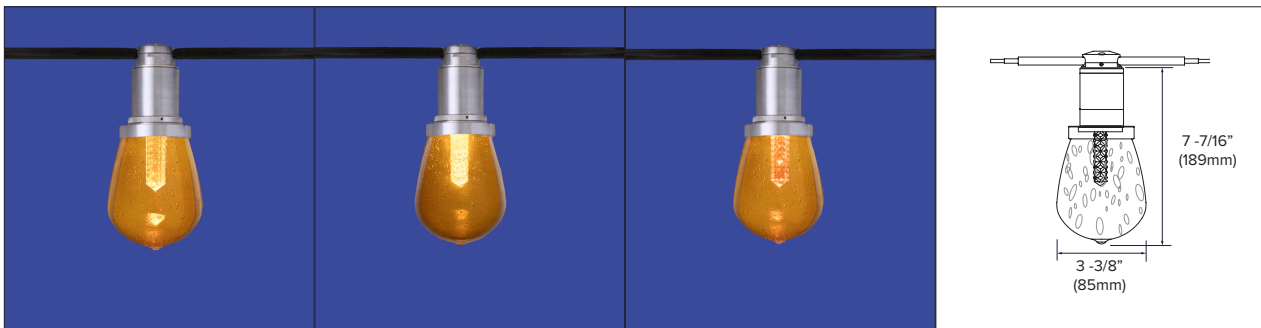
(EX5-K-C-SECRP-BCG-AL)
(EX5-K-C-SECRP-BCG-BLK)

Kore-EX5 LED Module, Cable Mount, S Envelope Clear Rain Bubble Pattern, "Brilliant" Frosted Gem. Aluminum (AL) or Black (BLK) finish.

(EX5-K-C-SECRP-BFG-AL)
(EX5-K-C-SECRP-BFG-BLK)

Kore-EX5 LED Module, Cable Mount, S Envelope Clear Rain Bubble Pattern, "Brilliant" Amber Gem. Aluminum (AL) or Black (BLK) finish.

(EX5-K-C-SECRP-BAG-AL)
(EX5-K-C-SECRP-BAG-BLK)



Kore-EX5 LED Pendant, Cable Mount, S Envelope Amber Rain Bubble Pattern, Brilliant Clear Gem. Aluminum or Black Finish.

(EX5-K-C-SEARP-BCG-AL)
(EX5-K-C-SEARP-BCG-BLK)

Kore-EX5 LED Pendant, Cable Mount, S Envelope Amber Rain Bubble Pattern, Brilliant Frosted Gem. Aluminum or Black Finish.

(EX5-K-C-SEARP-BFG-AL)
(EX5-K-C-SEARP-BFG-BLK)

Kore-EX5 LED Pendant, Cable Mount, S Envelope Amber Rain Bubble Pattern, Brilliant Amber Gem. Aluminum or Black Finish.

(EX5-K-C-SACRP-BAG-AL)
(EX5-K-C-SACRP-BAG-BLK)

1. Order Power Supplies separately. Refer to [Power Supplies](#) for options.
2. Order Accessories on p. 2 separately.



Click on the linked image below to visit the [Exton Gallery](#).



Kore-EX5 LED Pendant, Cable Mount
Black Finish, S Envelope Amber Rain
Bubble Pattern, Brilliant Clear Gem



Kore-EX5 LED Pendant, Cable Mount
Black Finish, S Envelope Clear Rain Bubble
Pattern, Brilliant Amber Gem

Tegan's [Exton Application Guide](#) features installation examples with complete BOM! Click on the linked image below.

