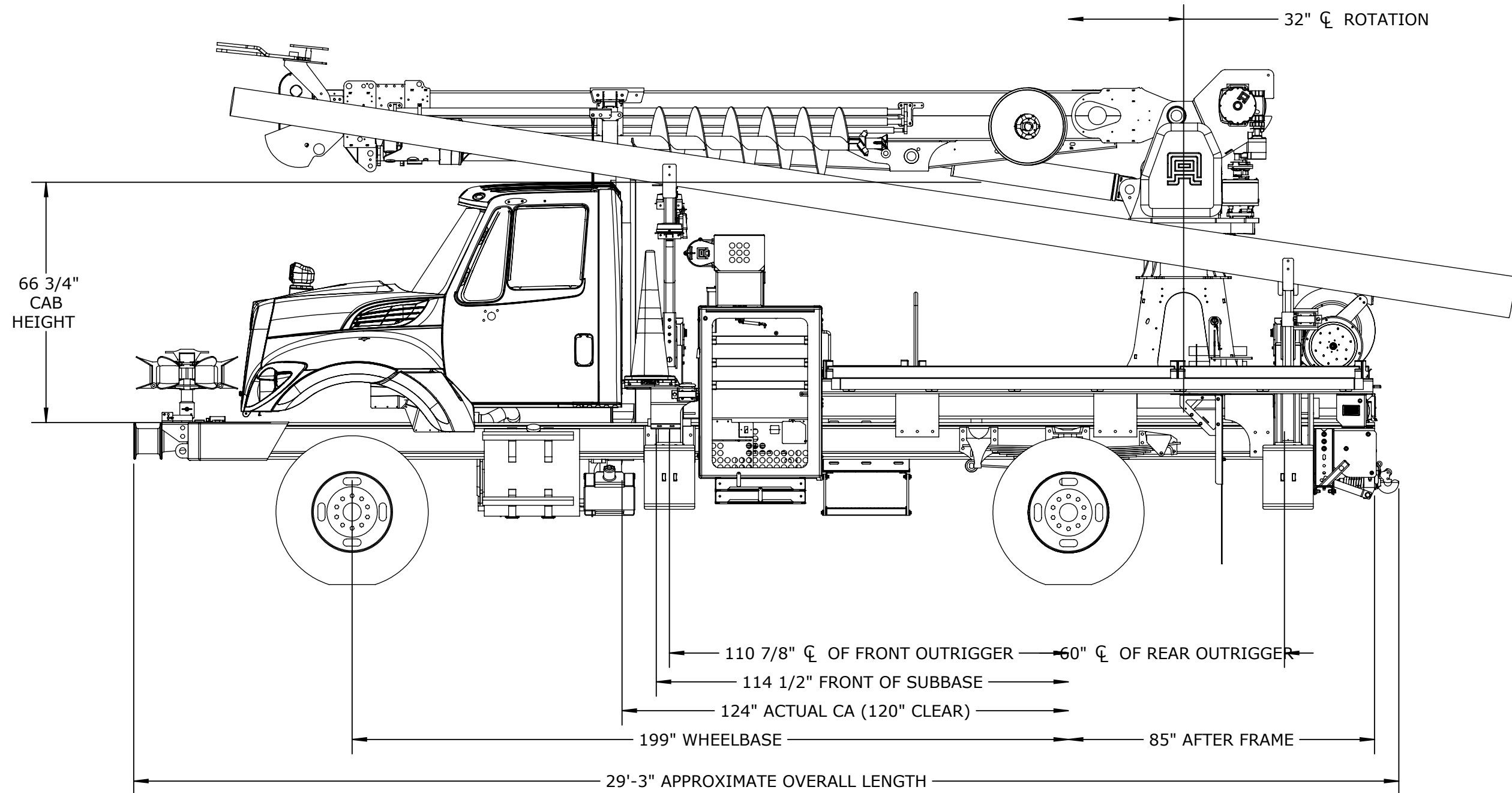


REVISIONS

REV	DESCRIPTION	DATE	DRAWN & ORG EC #
A	RELEASED	-	-



Altec Industries, Inc.
210 Inverness Center Drive
Birmingham, AL 35242

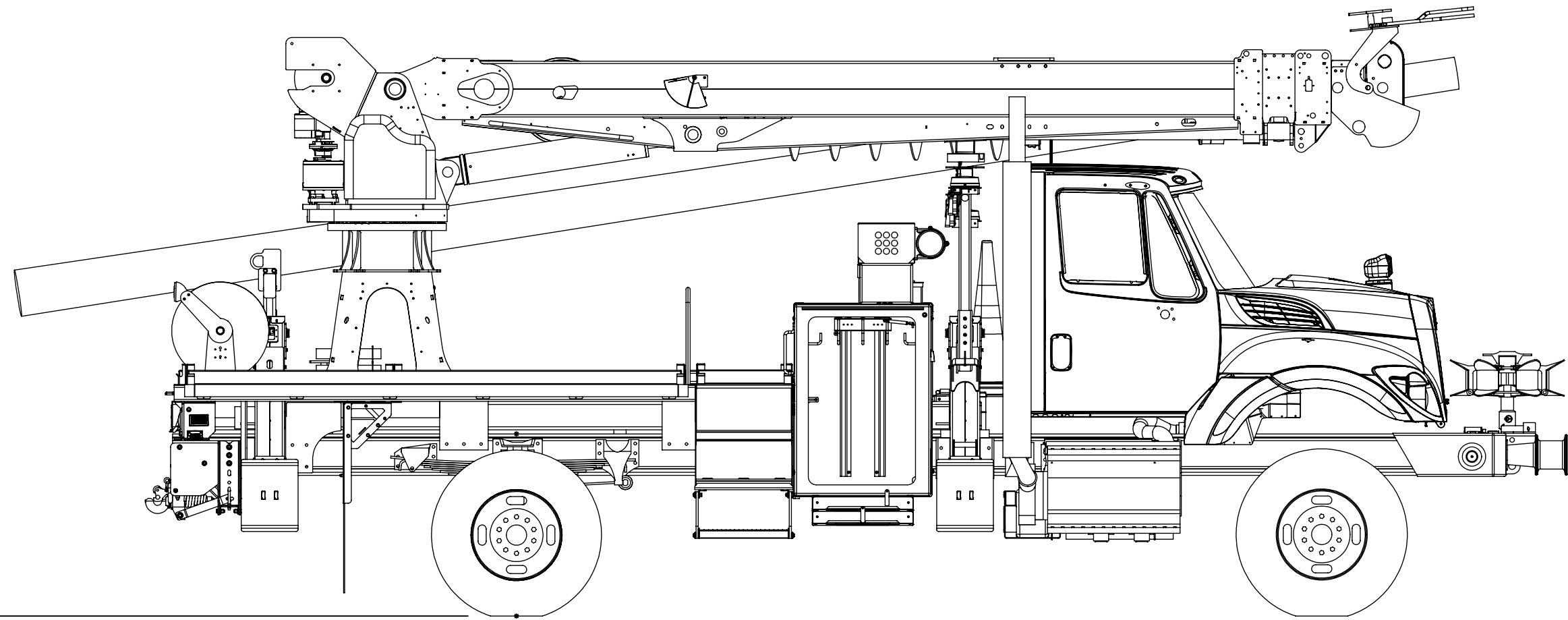
CONFIDENTIAL:
THIS DRAWING AND ITS CONTENTS ARE THE PROPRIETARY AND CONFIDENTIAL INFORMATION OF ALTEC INDUSTRIES, INC., AND ARE NOT TO BE REPRODUCED, COPIED, OR PUBLICLY DISCLOSED. IF THIS DRAWING IS PROVIDED TO A SOMEONE OUTSIDE ALTEC, IT IS DONE SO FOR THE LIMITED PURPOSE OF ASSISTING THAT RECIPIENT WITH A TECHNICAL OR PRODUCT ISSUE. IN RECEIVING THIS DRAWING, THE RECIPIENT AGREES TO MAINTAIN IT IN CONFIDENCE AND NOT TO USE IT BEYOND THE PURPOSE PREVIOUSLY STATED. RECIPIENT AGREES NOT TO REPRODUCE, COPY, OR PUBLICLY DISCLOSE THIS DRAWING AND ITS CONTENTS.

CHASSIS MAKER: INTERNATIONAL
CHASSIS MODEL: HV507 SFA
CHASSIS DRIVETRAIN: 4X4

UNIT: DH50E

TITLE: SALES DRAWING

DRAWN BY:	NAME	DATE	SHEET	SCALE	SIZE	NUMBER	REV
ALEX AULABAUGH	ALEX AULABAUGH	09/16/2025	1 OF 9	1:32	2	980077689	A



45"
FRAME
HEIGHT



Atec Industries, Inc.
210 Inverness Center Drive
Birmingham, AL 35242

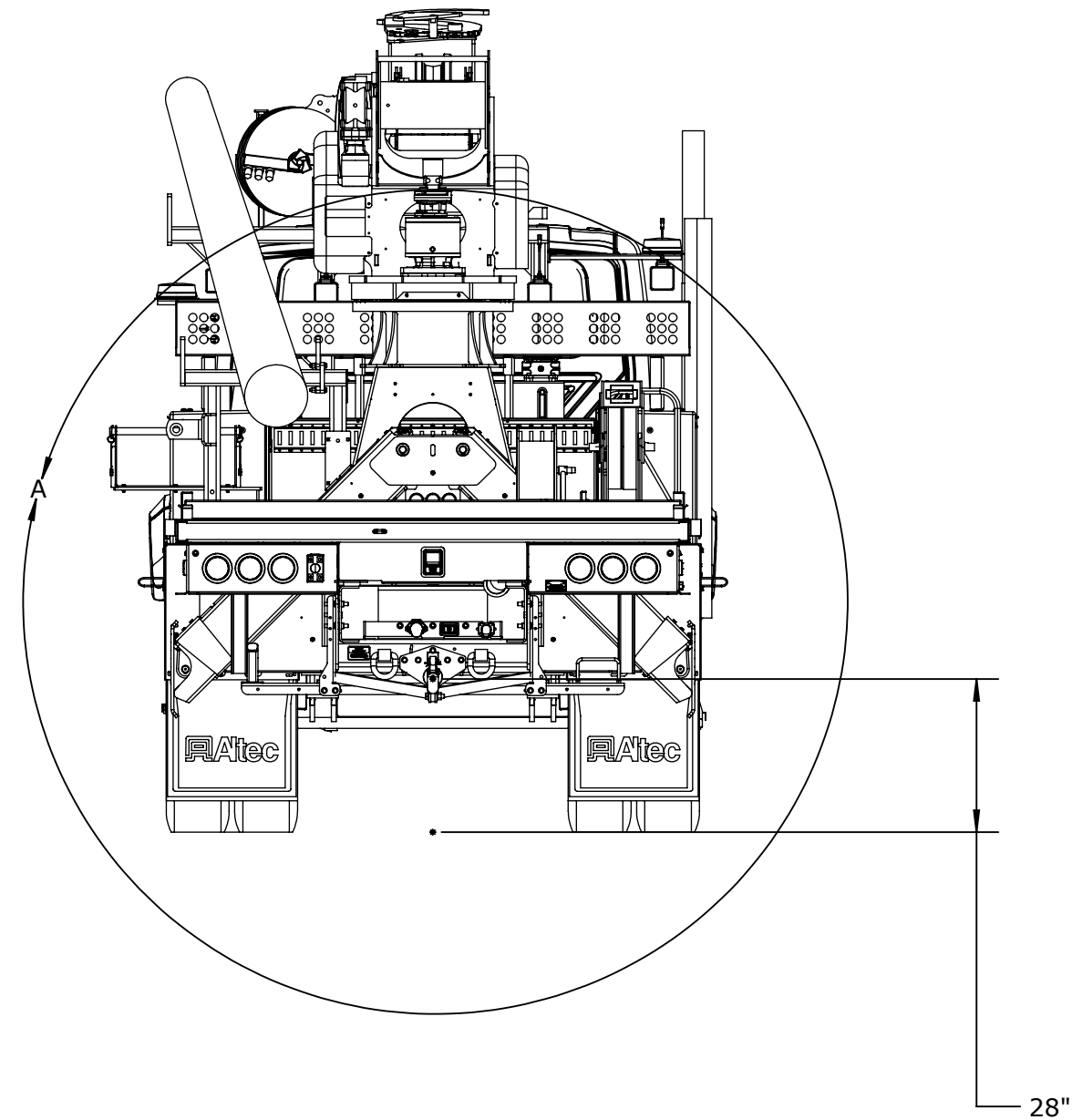
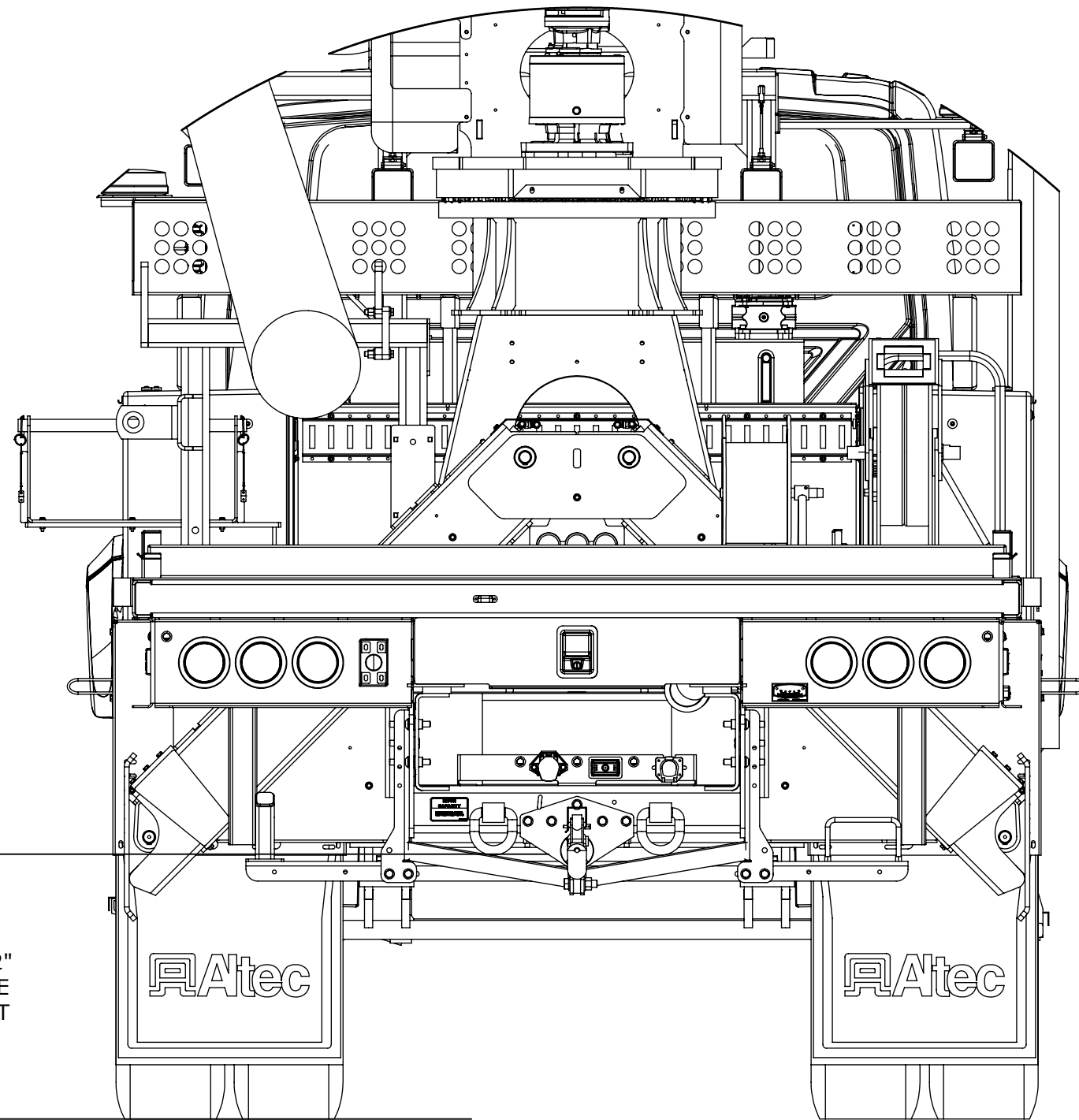
CONFIDENTIAL:
THIS DRAWING AND ITS CONTENTS ARE THE PROPRIETARY AND CONFIDENTIAL INFORMATION OF ALTEC INDUSTRIES, INC., AND ARE NOT TO BE REPRODUCED, COPIED, OR PUBLICLY DISCLOSED. IF THIS DRAWING IS PROVIDED TO A SOMEONE OUTSIDE ALTEC, IT IS DONE SO FOR THE LIMITED PURPOSE OF ASSISTING THAT RECIPIENT WITH A TECHNICAL OR PRODUCT ISSUE. IN RECEIVING THIS DRAWING, THE RECIPIENT AGREES TO MAINTAIN IT IN CONFIDENCE AND NOT TO USE IT BEYOND THE PURPOSE PREVIOUSLY STATED. RECIPIENT AGREES NOT TO REPRODUCE, COPY, OR PUBLICLY DISCLOSE THIS DRAWING AND ITS CONTENTS.

CHASSIS MAKER: INTERNATIONAL
CHASSIS MODEL: HV507 SFA
CHASSIS DRIVETRAIN: 4X4

UNIT: DH50E

TITLE: SALES DRAWING

NAME	DATE	SHEET	SCALE	SIZE	NUMBER	REV
DRAWN BY: ALEX AULABAUGH	09/16/2025	2 OF 9	1:32	2	980077689	A



28" ± 2"
PINTLE
HEIGHT

28"



Altec Industries, Inc.
210 Inverness Center Drive
Birmingham, AL 35242

CONFIDENTIAL:
THIS DRAWING AND ITS CONTENTS ARE THE PROPRIETARY AND CONFIDENTIAL INFORMATION OF ALTEC INDUSTRIES, INC., AND ARE NOT TO BE REPRODUCED, COPIED, OR PUBLICLY DISCLOSED. IF THIS DRAWING IS PROVIDED TO A SOMEONE OUTSIDE ALTEC, IT IS DONE SO FOR THE LIMITED PURPOSE OF ASSISTING THAT RECIPIENT WITH A TECHNICAL OR PRODUCT ISSUE. IN RECEIVING THIS DRAWING, THE RECIPIENT AGREES TO MAINTAIN IT IN CONFIDENCE AND NOT TO USE IT BEYOND THE PURPOSE PREVIOUSLY STATED. RECIPIENT AGREES NOT TO REPRODUCE, COPY, OR PUBLICLY DISCLOSE THIS DRAWING AND ITS CONTENTS.

DETAIL A

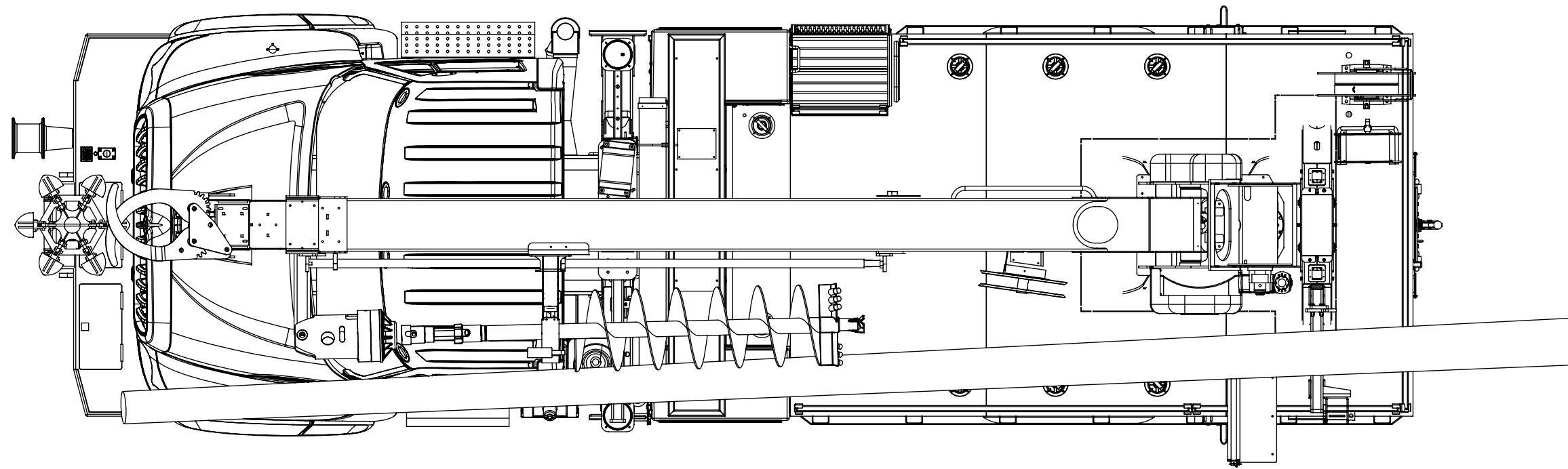
SCALE: 1:10

CHASSIS MAKER: INTERNATIONAL
CHASSIS MODEL: HV507 SFA
CHASSIS DRIVETRAIN: 4X4

UNIT: DH50E

TITLE: SALES DRAWING

NAME	DATE	SHEET	SCALE	SIZE	NUMBER	REV
DRAWN BY: ALEX AULABAUGH	09/16/2025	3 OF 9	1:32	2	980077689	A



Atec Industries, Inc.
210 Inverness Center Drive
Birmingham, AL 35242

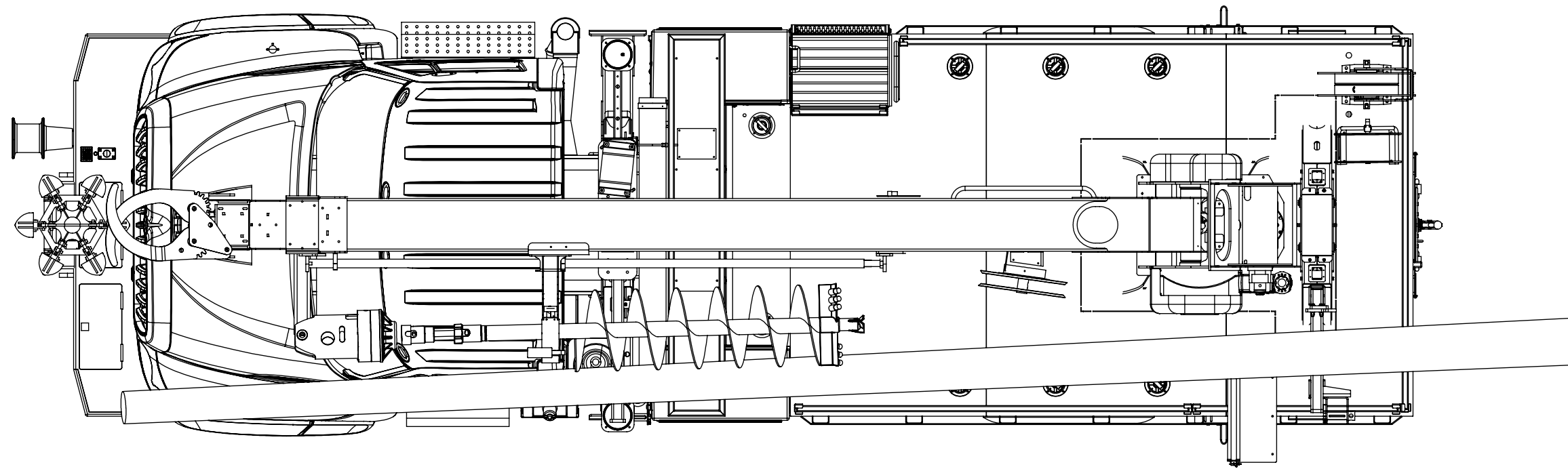
CONFIDENTIAL:
THIS DRAWING AND ITS CONTENTS ARE THE PROPRIETARY AND CONFIDENTIAL INFORMATION OF ALTEC INDUSTRIES, INC., AND ARE NOT TO BE REPRODUCED, COPIED, OR PUBLICLY DISCLOSED. IF THIS DRAWING IS PROVIDED TO A SOMEONE OUTSIDE ALTEC, IT IS DONE SO FOR THE LIMITED PURPOSE OF ASSISTING THAT RECIPIENT WITH A TECHNICAL OR PRODUCT ISSUE. IN RECEIVING THIS DRAWING, THE RECIPIENT AGREES TO MAINTAIN IT IN CONFIDENCE AND NOT TO USE IT BEYOND THE PURPOSE PREVIOUSLY STATED. RECIPIENT AGREES NOT TO REPRODUCE, COPY, OR PUBLICLY DISCLOSE THIS DRAWING AND ITS CONTENTS.

CHASSIS MAKER: INTERNATIONAL
CHASSIS MODEL: HV507 SFA
CHASSIS DRIVETRAIN: 4X4

UNIT: DH50E

TITLE: SALES DRAWING

NAME	DATE	SHEET	SCALE	SIZE	NUMBER	REV
DRAWN BY: ALEX AULABAUGH	09/16/2025	4 OF 9	1:32	2	980077689	A



Ateco Industries, Inc.
210 Inverness Center Drive
Birmingham, AL 35242

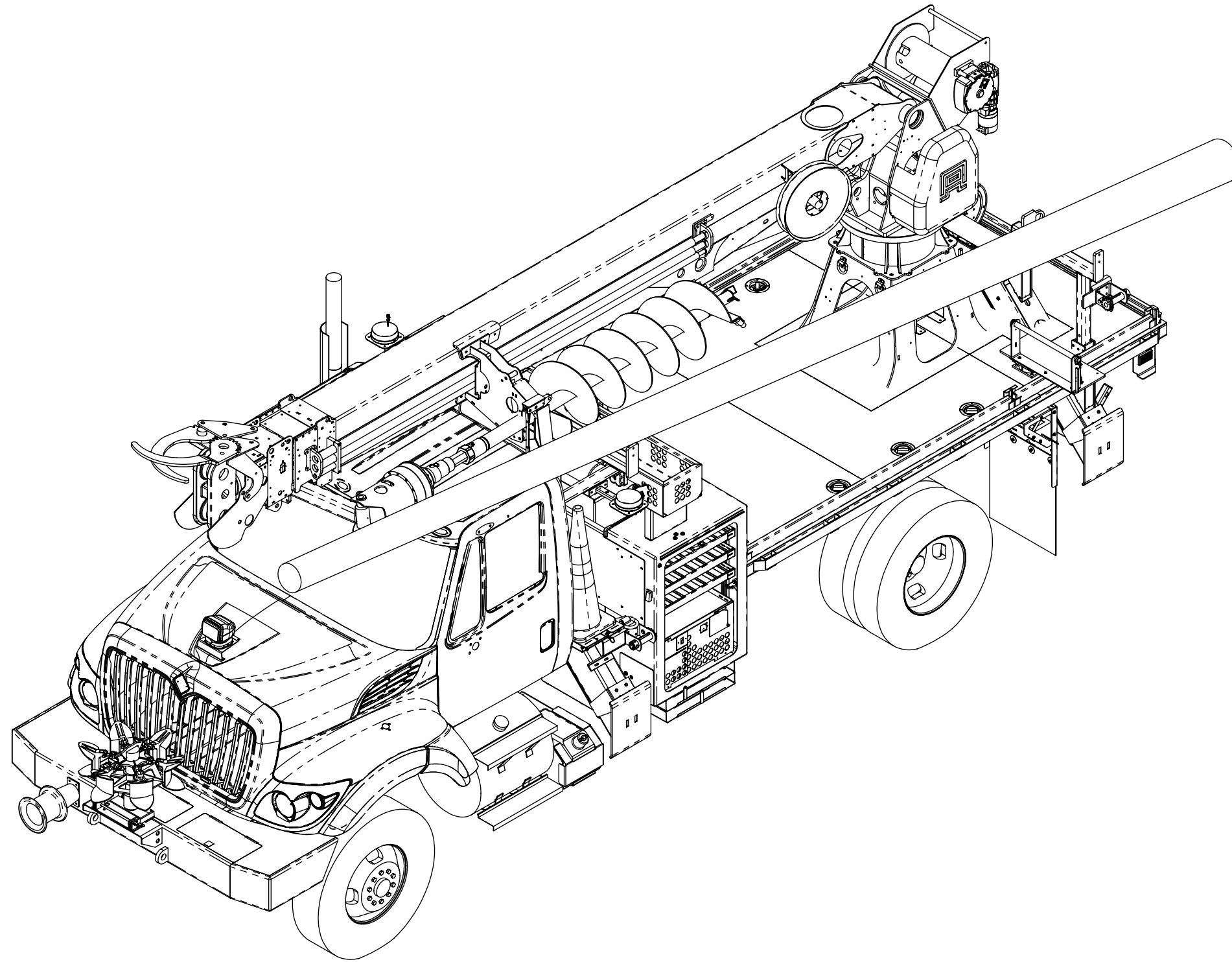
CONFIDENTIAL:
THIS DRAWING AND ITS CONTENTS ARE THE PROPRIETARY AND CONFIDENTIAL INFORMATION OF ALTEC INDUSTRIES, INC., AND ARE NOT TO BE REPRODUCED, COPIED, OR PUBLICLY DISCLOSED. IF THIS DRAWING IS PROVIDED TO A SOMEONE OUTSIDE ALTEC, IT IS DONE SO FOR THE LIMITED PURPOSE OF ASSISTING THAT RECIPIENT WITH A TECHNICAL OR PRODUCT ISSUE. IN RECEIVING THIS DRAWING, THE RECIPIENT AGREES TO MAINTAIN IT IN CONFIDENCE AND NOT TO USE IT BEYOND THE PURPOSE PREVIOUSLY STATED. RECIPIENT AGREES NOT TO REPRODUCE, COPY, OR PUBLICLY DISCLOSE THIS DRAWING AND ITS CONTENTS.

CHASSIS MAKER: INTERNATIONAL
CHASSIS MODEL: HV507 SFA
CHASSIS DRIVETRAIN: 4X4

UNIT: DH50E

TITLE: SALES DRAWING

NAME	DATE	SHEET	SCALE	SIZE	NUMBER	REV
DRAWN BY: ALEX AULABAUGH	09/16/2025	5 OF 9	1:32	2	980077689	A



Atec Industries, Inc.
210 Inverness Center Drive
Birmingham, AL 35242

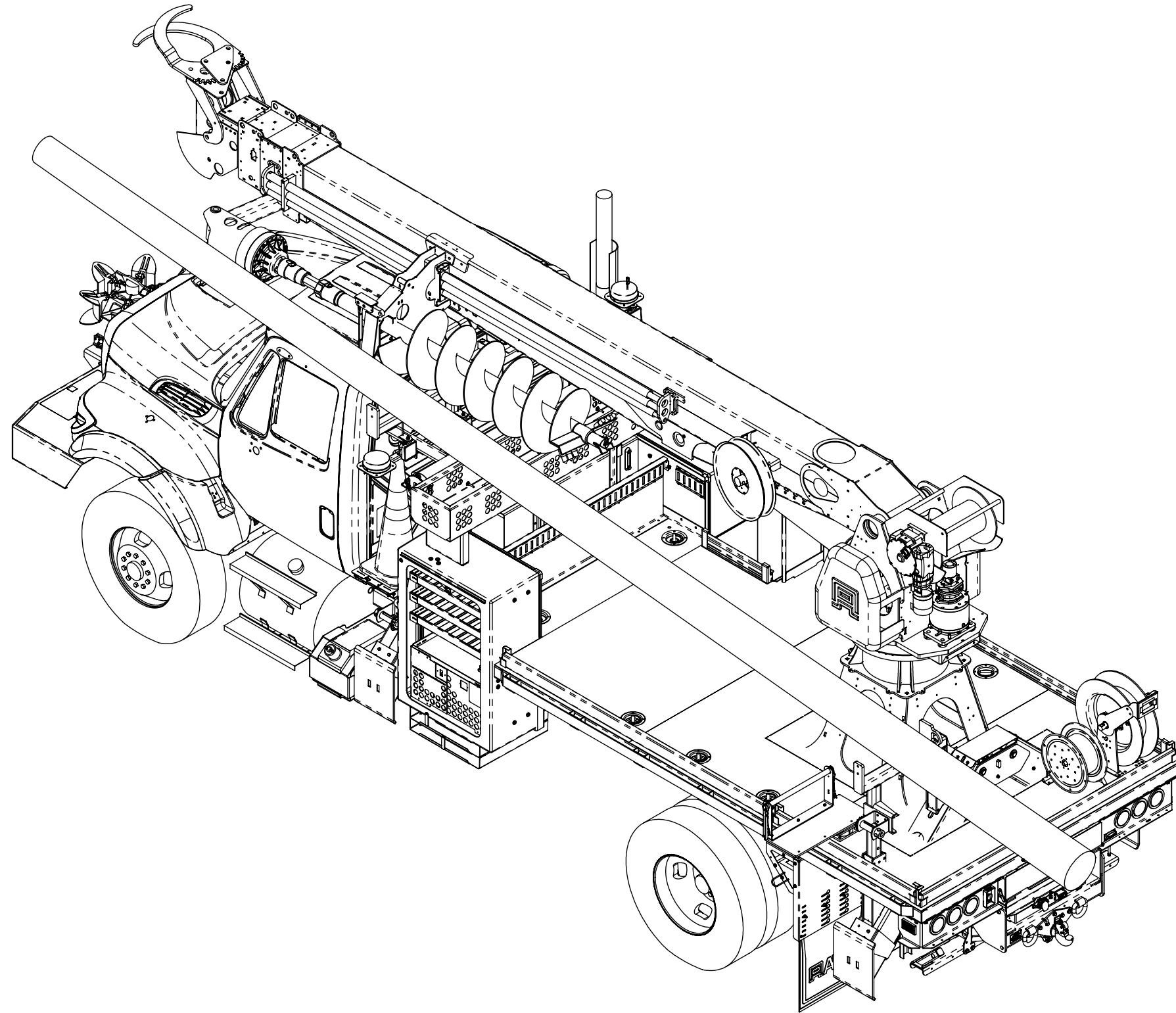
CONFIDENTIAL:
THIS DRAWING AND ITS CONTENTS ARE THE PROPRIETARY AND CONFIDENTIAL INFORMATION OF ALTEC INDUSTRIES, INC., AND ARE NOT TO BE REPRODUCED, COPIED, OR PUBLICLY DISCLOSED. IF THIS DRAWING IS PROVIDED TO A SOMEONE OUTSIDE ALTEC, IT IS DONE SO FOR THE LIMITED PURPOSE OF ASSISTING THAT RECIPIENT WITH A TECHNICAL OR PRODUCT ISSUE. IN RECEIVING THIS DRAWING, THE RECIPIENT AGREES TO MAINTAIN IT IN CONFIDENCE AND NOT TO USE IT BEYOND THE PURPOSE PREVIOUSLY STATED. RECIPIENT AGREES NOT TO REPRODUCE, COPY, OR PUBLICLY DISCLOSE THIS DRAWING AND ITS CONTENTS.

CHASSIS MAKER: INTERNATIONAL
CHASSIS MODEL: HV507 SFA
CHASSIS DRIVETRAIN: 4X4

UNIT: DH50E

TITLE: SALES DRAWING

NAME	DATE	SHEET	SCALE	SIZE	NUMBER	REV
DRAWN BY: ALEX AULABAUGH	09/16/2025	6 OF 9	1:32	2	980077689	A



Ateco Industries, Inc.
210 Inverness Center Drive
Birmingham, AL 35242

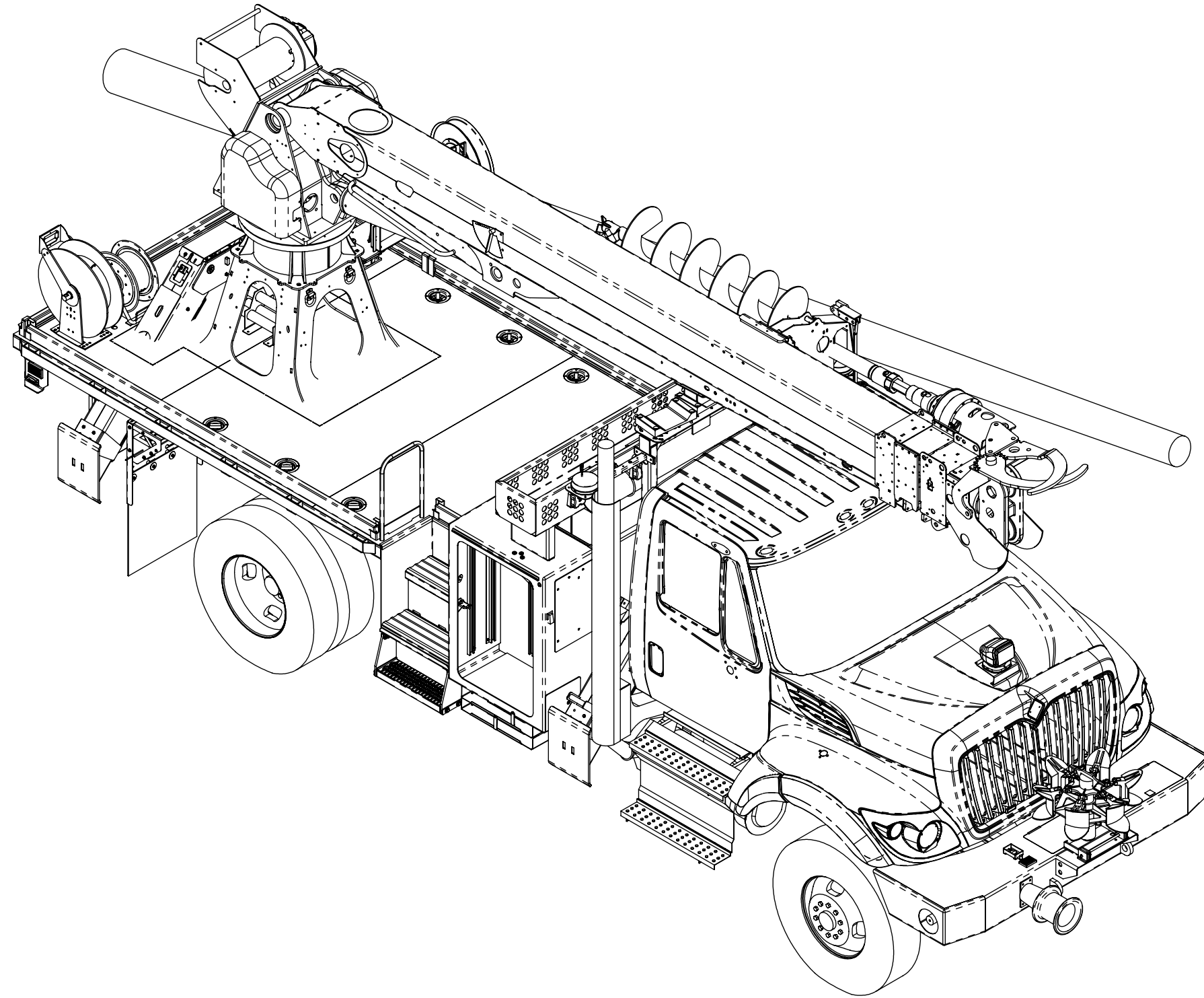
CONFIDENTIAL:
THIS DRAWING AND ITS CONTENTS ARE THE PROPRIETARY AND CONFIDENTIAL INFORMATION OF ALTEC INDUSTRIES, INC., AND ARE NOT TO BE REPRODUCED, COPIED, OR PUBLICLY DISCLOSED. IF THIS DRAWING IS PROVIDED TO A SOMEONE OUTSIDE ALTEC, IT IS DONE SO FOR THE LIMITED PURPOSE OF ASSISTING THAT RECIPIENT WITH A TECHNICAL OR PRODUCT ISSUE. IN RECEIVING THIS DRAWING, THE RECIPIENT AGREES TO MAINTAIN IT IN CONFIDENCE AND NOT TO USE IT BEYOND THE PURPOSE PREVIOUSLY STATED. RECIPIENT AGREES NOT TO REPRODUCE, COPY, OR PUBLICLY DISCLOSE THIS DRAWING AND ITS CONTENTS.

CHASSIS MAKER: INTERNATIONAL
CHASSIS MODEL: HV507 SFA
CHASSIS DRIVETRAIN: 4X4

UNIT: DH50E

TITLE: SALES DRAWING

NAME	DATE	SHEET	SCALE	SIZE	NUMBER	REV
DRAWN BY: ALEX AULABAUGH	09/16/2025	7 OF 9	1:32	2	980077689	A



Atec Industries, Inc.
210 Inverness Center Drive
Birmingham, AL 35242

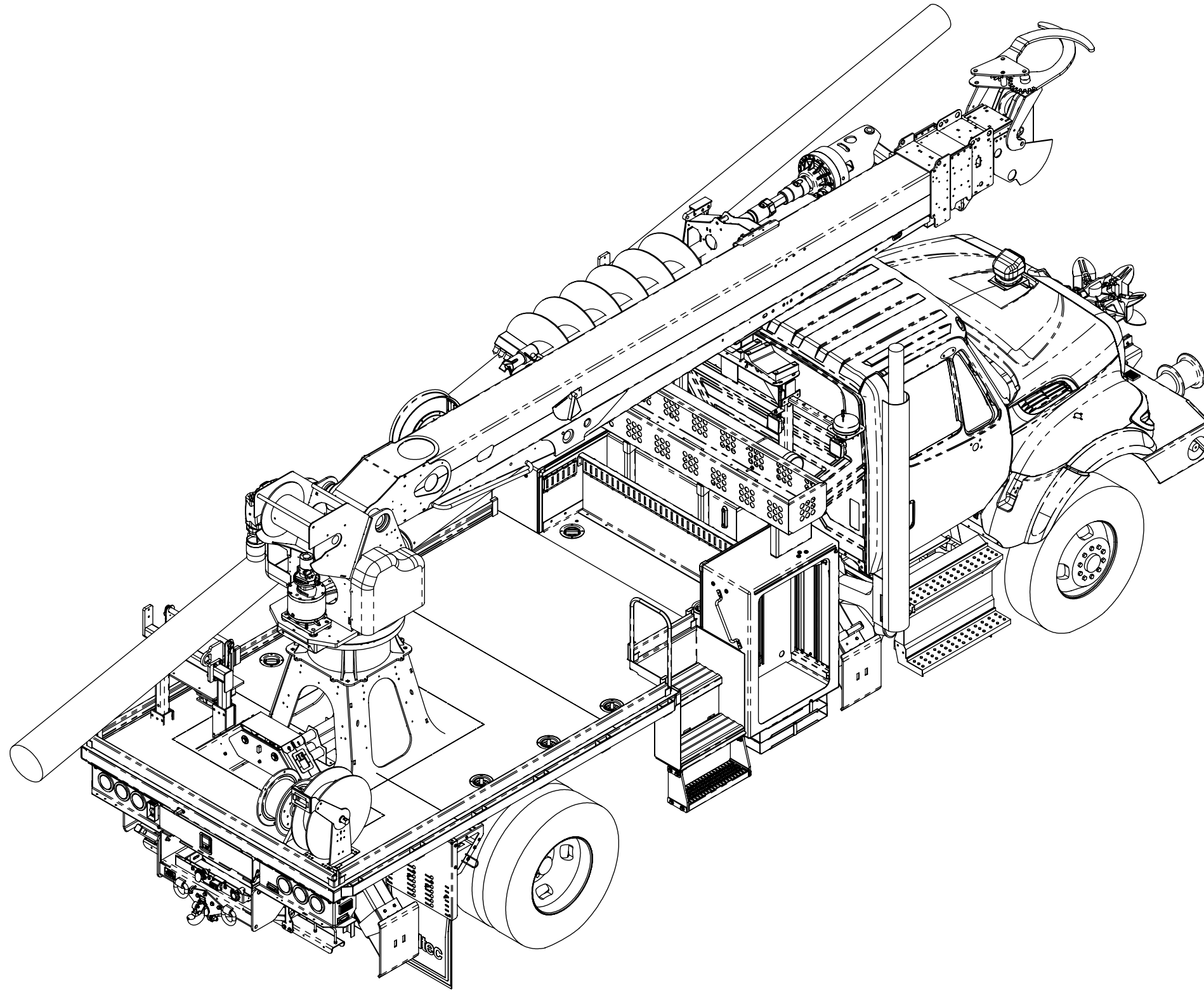
CONFIDENTIAL:
THIS DRAWING AND ITS CONTENTS ARE THE PROPRIETARY AND CONFIDENTIAL INFORMATION OF ALTEC INDUSTRIES, INC., AND ARE NOT TO BE REPRODUCED, COPIED, OR PUBLICLY DISCLOSED. IF THIS DRAWING IS PROVIDED TO A SOMEONE OUTSIDE ALTEC, IT IS DONE SO FOR THE LIMITED PURPOSE OF ASSISTING THAT RECIPIENT WITH A TECHNICAL OR PRODUCT ISSUE. IN RECEIVING THIS DRAWING, THE RECIPIENT AGREES TO MAINTAIN IT IN CONFIDENCE AND NOT TO USE IT BEYOND THE PURPOSE PREVIOUSLY STATED. RECIPIENT AGREES NOT TO REPRODUCE, COPY, OR PUBLICLY DISCLOSE THIS DRAWING AND ITS CONTENTS.

CHASSIS MAKER: INTERNATIONAL
CHASSIS MODEL: HV507 SFA
CHASSIS DRIVETRAIN: 4X4

UNIT: DH50E

TITLE: SALES DRAWING

NAME	DATE	SHEET	SCALE	SIZE	NUMBER	REV
DRAWN BY: ALEX AULABAUGH	09/16/2025	8 OF 9	1:32	2	980077689	A



Atec Industries, Inc.
210 Inverness Center Drive
Birmingham, AL 35242

CONFIDENTIAL:
THIS DRAWING AND ITS CONTENTS ARE THE PROPRIETARY AND CONFIDENTIAL INFORMATION OF ALTEC INDUSTRIES, INC., AND ARE NOT TO BE REPRODUCED, COPIED, OR PUBLICLY DISCLOSED. IF THIS DRAWING IS PROVIDED TO A SOMEONE OUTSIDE ALTEC, IT IS DONE SO FOR THE LIMITED PURPOSE OF ASSISTING THAT RECIPIENT WITH A TECHNICAL OR PRODUCT ISSUE. IN RECEIVING THIS DRAWING, THE RECIPIENT AGREES TO MAINTAIN IT IN CONFIDENCE AND NOT TO USE IT BEYOND THE PURPOSE PREVIOUSLY STATED. RECIPIENT AGREES NOT TO REPRODUCE, COPY, OR PUBLICLY DISCLOSE THIS DRAWING AND ITS CONTENTS.

CHASSIS MAKER: INTERNATIONAL
CHASSIS MODEL: HV507 SFA
CHASSIS DRIVETRAIN: 4X4

UNIT: DH50E

TITLE: SALES DRAWING

DRAWN BY:	NAME	DATE	SHEET	SCALE	SIZE	NUMBER	REV
				ALEX AULABAUGH	09/16/2025	9 OF 9	1:32