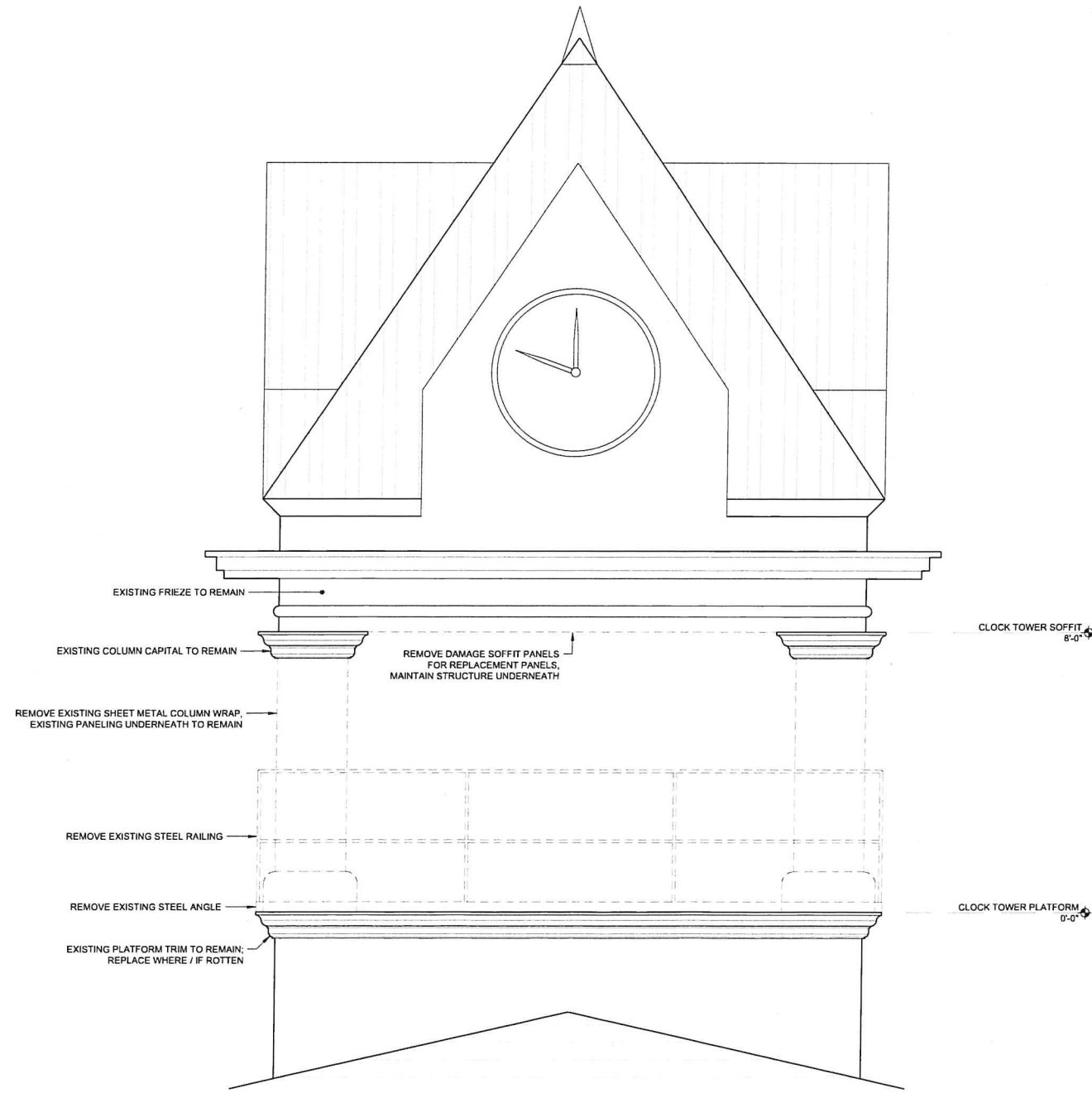
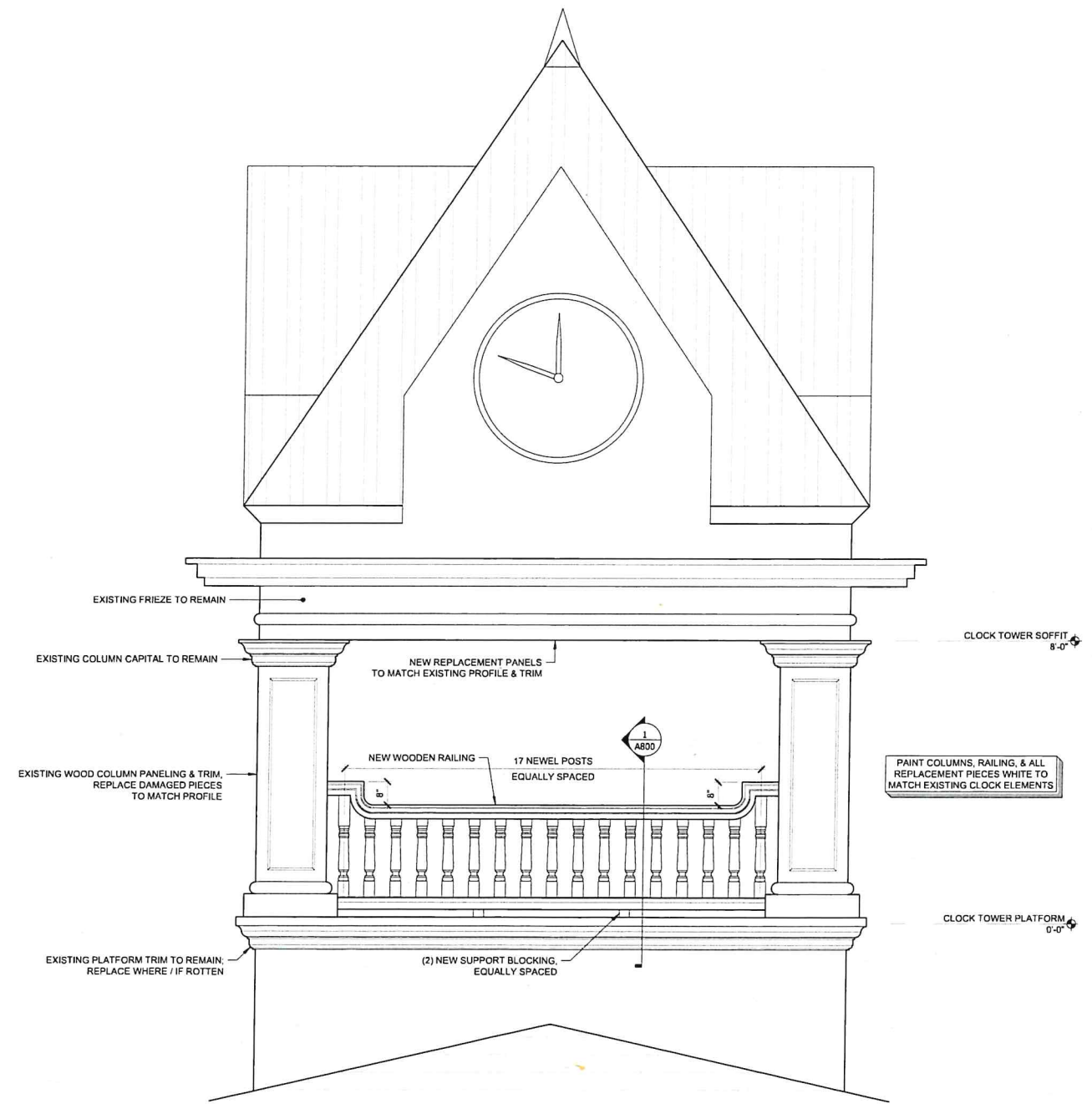


ORIGINAL (P.1)



1 EXISTING CLOCK TOWER ENLARGED ELEVATION
A310 SCALE: 1/2" = 1'-0"



2 NEW CLOCK TOWER ENLARGED ELEVATION
A310 SCALE: 1/2" = 1'-0"

REVISIONS

PROJECT INFORMATION
PROJECT #: 23-009
DATE: 26-JAN-2024
DRAWN BY: CG
CHECK BY: NDC
SHEET TITLE

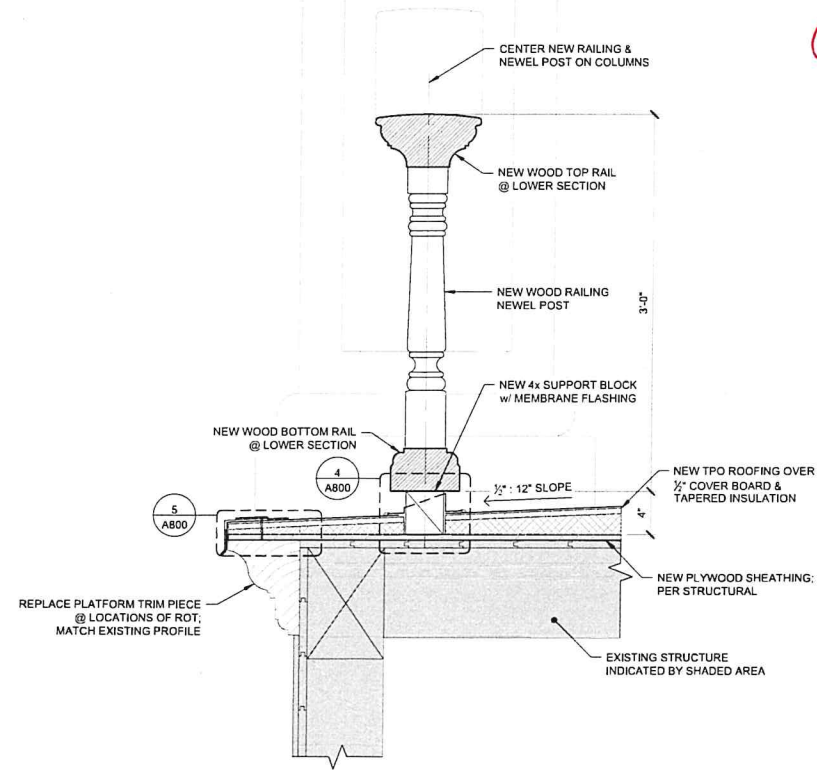
CLOCK TOWER
ENLARGED
ELEVATIONS

A
310

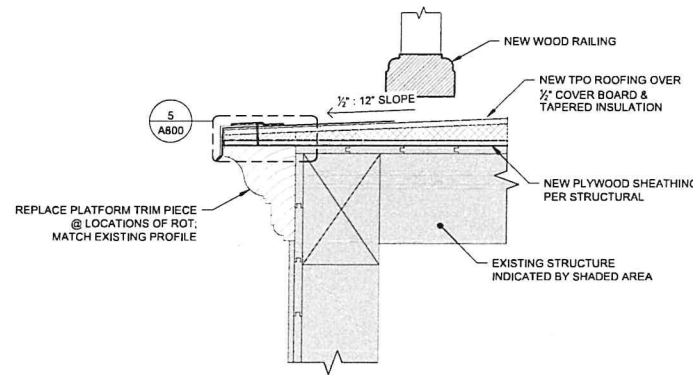
ISSUED FOR: PERMIT

©2024 SOLARC ARCHITECTURE, INC. ALL RIGHTS RESERVED. | DO NOT REPRODUCE WITHOUT PERMISSION.
FULL SIZE PRINT 24 x 36

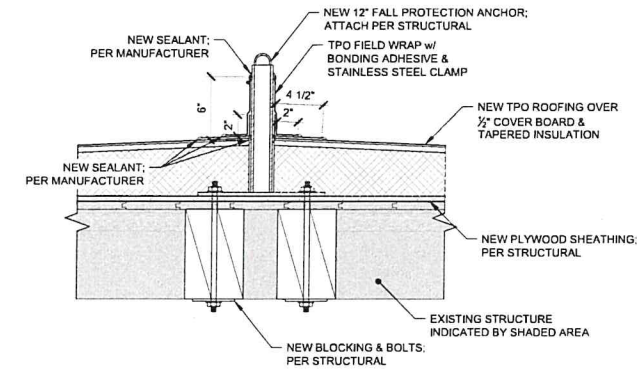
ORIGINAL (P.2)



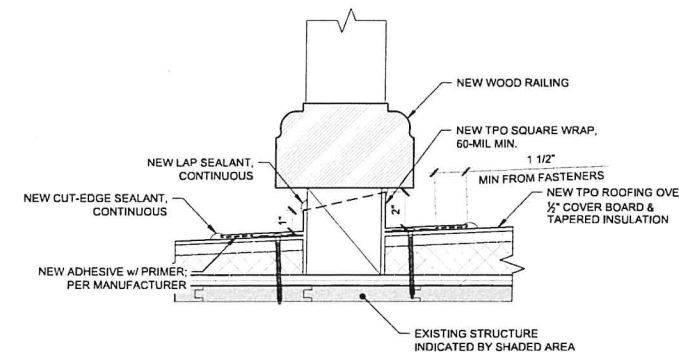
1 RAILING DETAIL
SCALE: 1-1/2" = 1'-0"



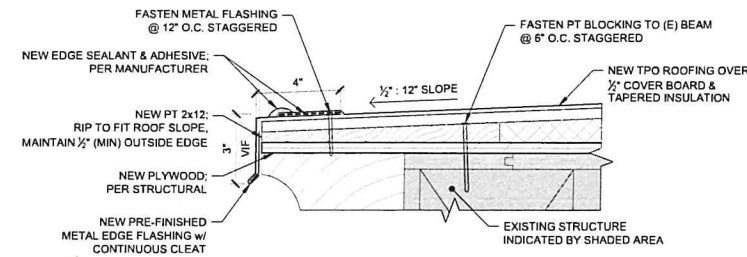
2 ROOF EDGE DETAIL
SCALE: 1-1/2" = 1'-0"



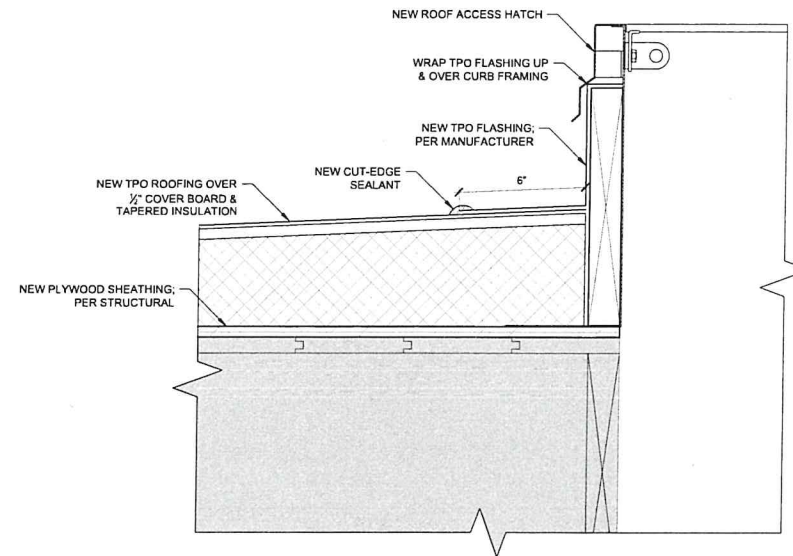
3 FALL PROTECTION ANCHOR DETAIL
SCALE: 1-1/2" = 1'-0"



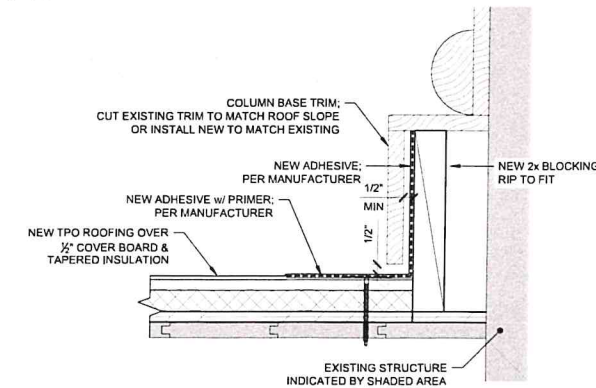
4 RAILING SUPPORT BLOCK FLASHING DETAIL
SCALE: 3" = 1'-0"



5 ROOF EDGE FLASHING DETAIL
SCALE: 3" = 1'-0"



6 ACCESS HATCH CURB FLASHING DETAIL
SCALE: 3" = 1'-0"



7 COLUMN BASE FLASHING DETAIL
SCALE: 3" = 1'-0"

REVISIONS

DETAILS

ISSUED FOR: PERMIT

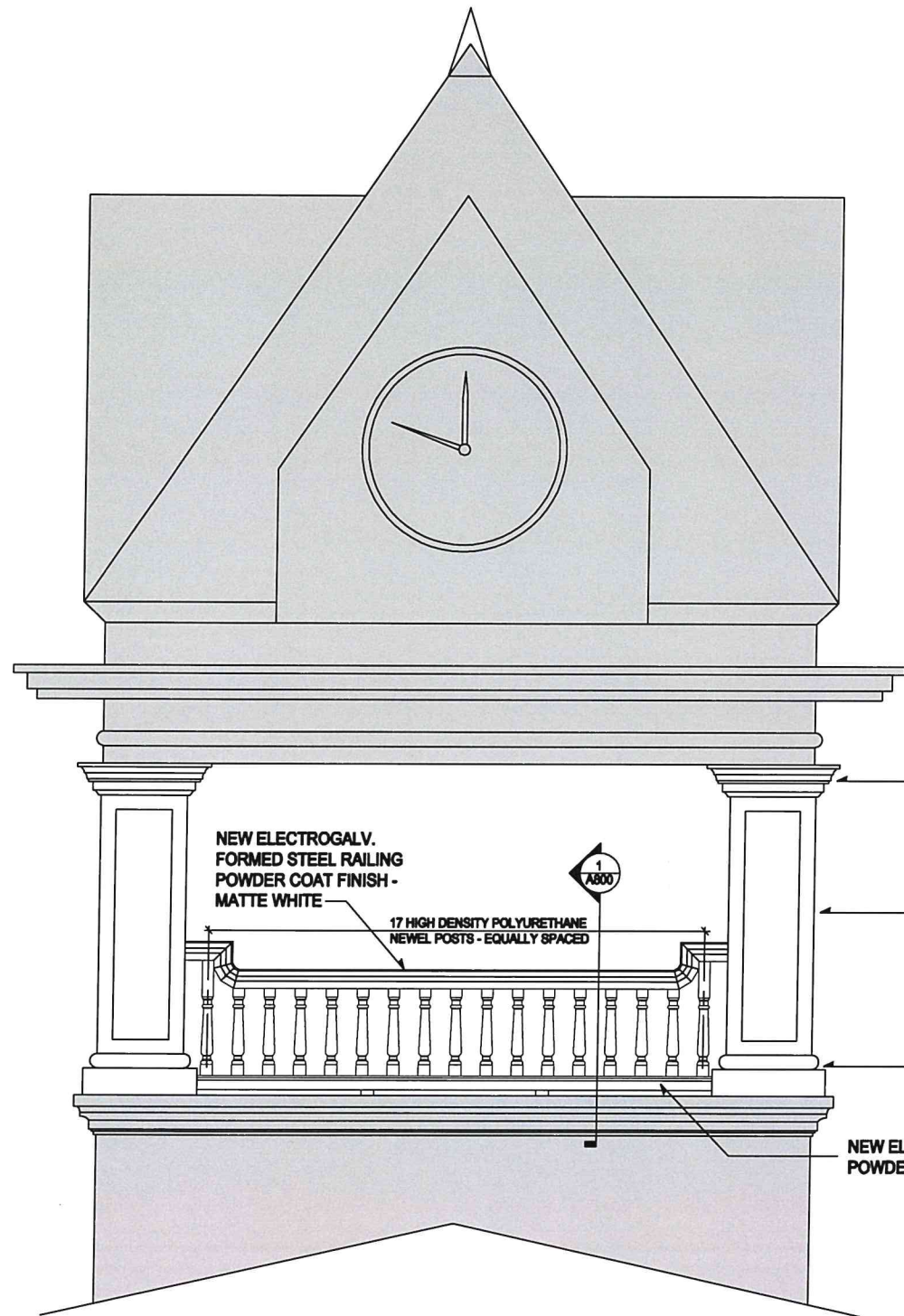
A
800

PROJECT INFORMATION
PROJECT #: 23-009
DATE: 26-JAN-2024
DRAWN BY: CG
CHECK BY: NDC

SHALL *
FULL SIZE PRINT: 24 x 36

© 2024 SOLARC ARCHITECTURE, INC. ALL RIGHTS RESERVED. | DO NOT REPRODUCE WITHOUT PERMISSION.

PROPOSED (P.1)

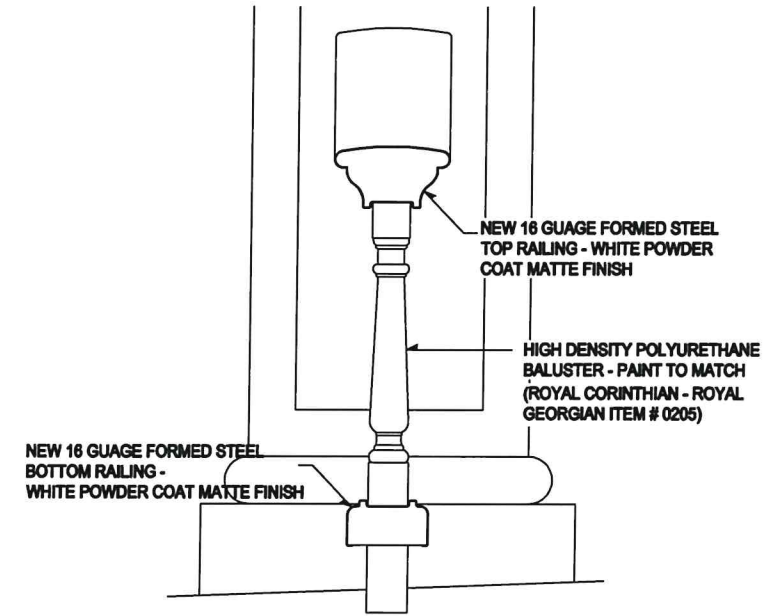


1 A800 ALTERNATE BELL TOWER TRIM PACKAGE (COLUMNS AND RAIL)
SCALE: $\frac{1}{4}" = 1'-0"$

- NEW COLUMN CAPITAL
FORMED ELECTROGALV. STEEL
MATCH ORIGINAL PROFILE
POWDER COAT FINISH - MATTE WHITE
- NEW COLUMN PANELING AND TRIM
FORMED ELECTROGALV. STEEL
POWDER COAT FINISH - MATTE WHITE
- NEW POST BASE
FORMED ELECTROGALV. STEEL
MATCH ORIGINAL PROFILE
POWDER COAT FINISH - MATTE WHITE
- NEW ELECTROGALV. FORMED STEEL RAILING
POWDER COAT FINISH - MATTE WHITE

NEW ELECTROGALV.
FORMED STEEL RAILING
POWDER COAT FINISH -
MATTE WHITE

17 HIGH DENSITY POLYURETHANE
NEWEL POSTS - EQUALLY SPACED

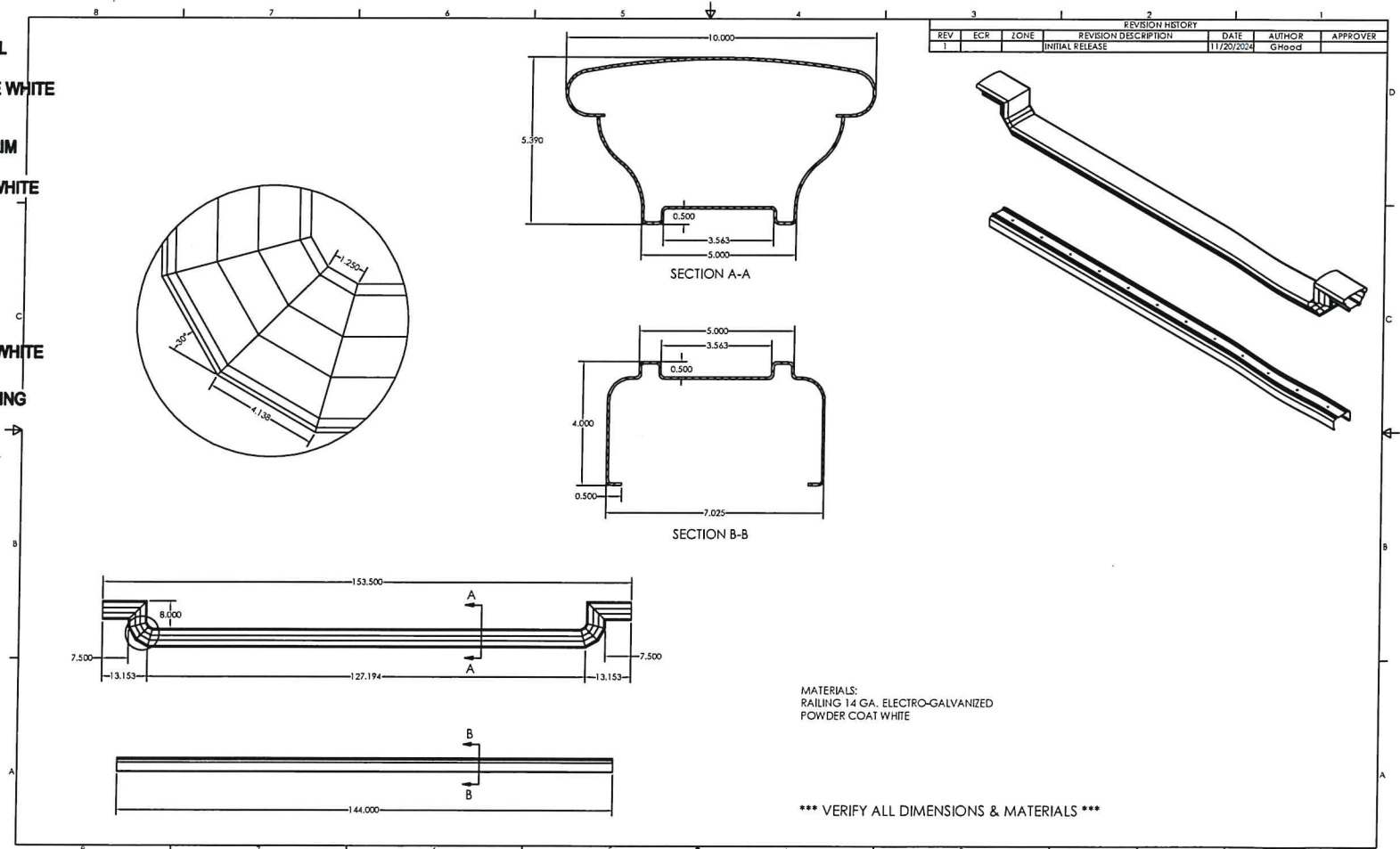


NEW 16 GAUGE FORMED STEEL
TOP RAILING - WHITE POWDER
COAT MATTE FINISH

HIGH DENSITY POLYURETHANE
BALUSTER - PAINT TO MATCH
(ROYAL CORINTHIAN - ROYAL
GEORGIAN ITEM # 0205)

NEW 16 GAUGE FORMED STEEL
BOTTOM RAILING -
WHITE POWDER COAT MATTE FINISH

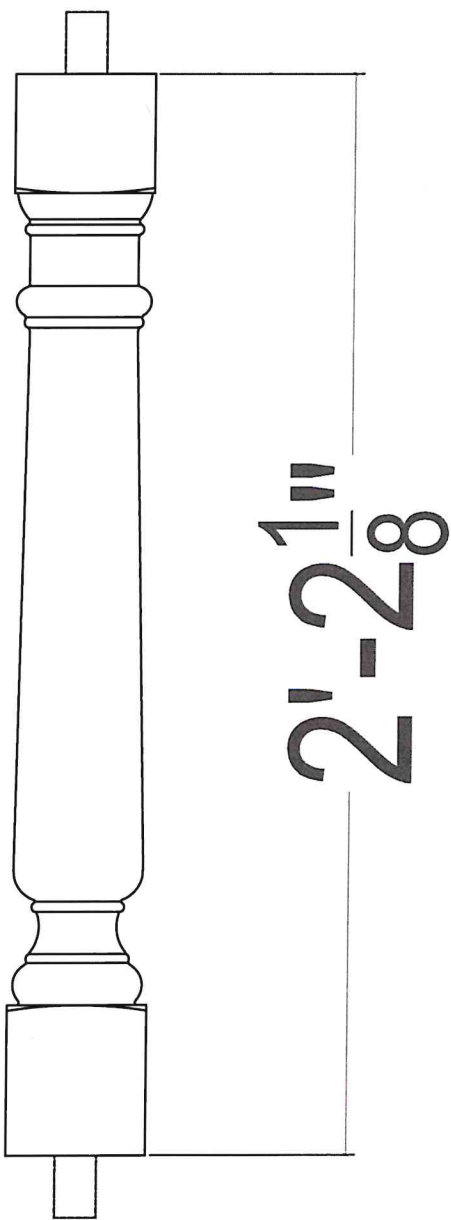
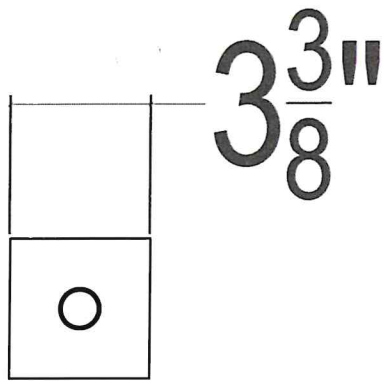
1 A800 ALTERNATE RAILING DETAIL
SCALE: $\frac{3}{4}" = 1'-0"$



REVISION HISTORY					
REV	ECK	ZONE	REVISION DESCRIPTION	DATE	APPROVER
1			INITIAL RELEASE	11/20/2024	GHed

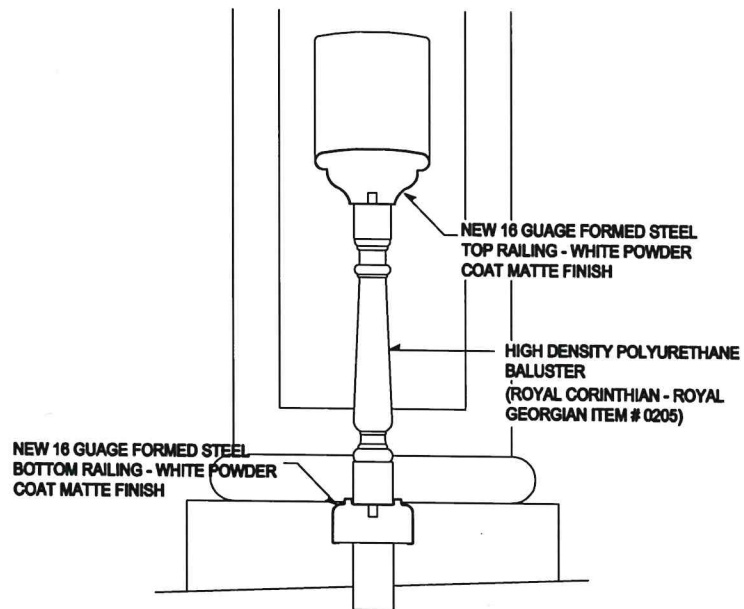
MATERIALS:
RAILING 14 GA. ELECTRO-GALVANIZED
POWDER COAT WHITE

*** VERIFY ALL DIMENSIONS & MATERIALS ***



Royal Georgian Baluster #0205

SHEET	Title Date Scale Author Designer Checker Project No. Revision Approved By Date	Casey Garrett	ARCHITECTURAL MALL EXPRESSLY RETAINS ITS COMMON LAW COPYRIGHT AND OTHER PROPERTY RIGHTS IN THESE PLANS. THESE PLANS ARE NOT TO BE REPRODUCED, CHANGED, OR COPIED IN ANY FORM OR MANNER WHATSOEVER, NOR ARE THEY TO BE ASSIGNED TO A THIRD PARTY WITHOUT FIRST OBTAINING THE WRITTEN PERMISSION AND CONSENT OF ARCHITECTURAL MALL. IN THE EVENT OF UNAUTHORIZED REUSE OF THESE PLANS BY A THIRD PARTY, THE THIRD PARTY SHALL HOLD ARCHITECTURAL MALL HARMLESS. COPYRIGHT 2022

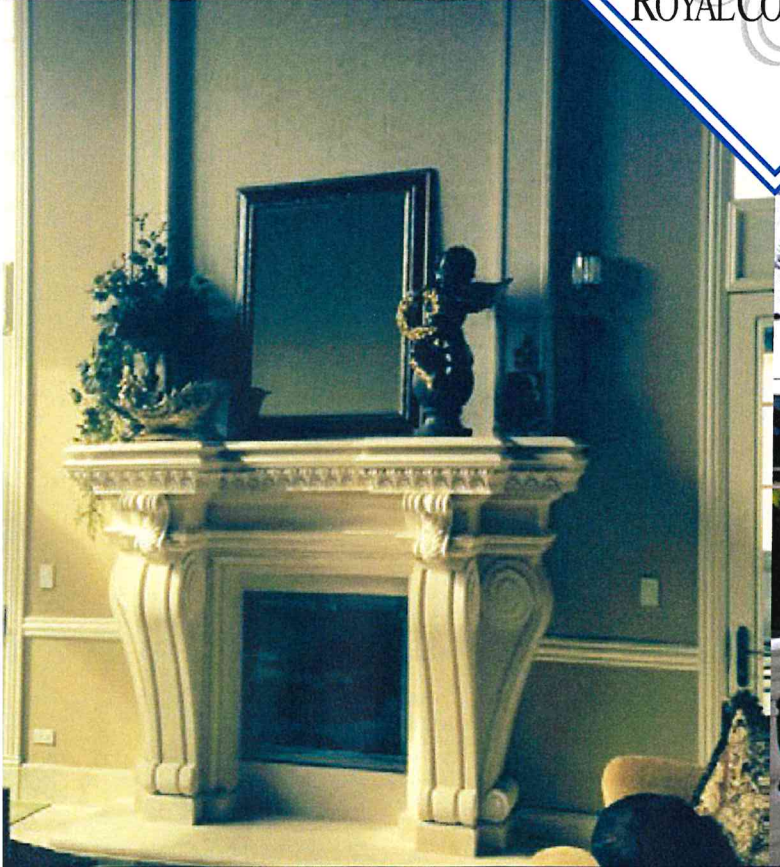


1
A800

ALTERNATE TOP RAILING PROFILE

SCALE: $\frac{3}{4}'' = 1'-0''$

Architectural Products - Proudly Made in America



Columns • Pergolas • Fireplace Mantels • Cornice • Balustrades • Crown Molding • Architectural Accents

TABLE OF CONTENTS

About Us	3
Columns and Column Covers	4
PVC Column Wraps	5
Pergolas, Arbors, & Trellises	6
Cornice	7
Balustrade Systems	8
Balusters: 1-3/4" to 5-1/4"	9
Balusters: 5-1/4" to 7"	10
Fireplaces and G.F.R.C. Façade Elements	11
Shutters	12
Crown Molding	13
Ceiling Medallions	14
Ceiling Medallions	15
Domes	16

This brochure demonstrates the diversity of our product offering but doesn't even scratch the surface when it comes to the various products and styles that we offer. We showcase some of our popular items but we have thousands of millwork products that do not appear in this publication. Please visit our website for more specific information on columns, balustrades, cornice, pergolas, fireplaces, and capitals and bases. For everything else, please contact us and we will direct you to other resources that are more comprehensive and demonstrate the extent of our offering for those particular products. In addition to the products found here, we also offer corbels & brackets, niches, louvers, cupulas, ceiling domes, pilasters, crosshead & pediments, flexible moldings, window & wall panels, artificial beams, ceiling panels and decorative ceiling tiles, and an assortment of carved wood millwork. We have the most comprehensive online CAD library in the industry and will provide CAD files for any standard or custom items upon request that aren't listed online. Thank you for your interest in our products and we look forward to working with you on your current and future projects.



ABOUT US

Started by two brothers, Royal Corinthian is a family owned manufacturer and wholesale distributor of building products that last a lifetime. We have been manufacturing in America since 1994 and focus on emulating architectural products using composite technology. We specialize in architectural columns, balustrade systems, cornice, crown molding, fireplace surrounds, pergolas/arbors/trellises, exterior shutters, ceiling medallions, domes, and a variety of millwork made from fiberglass, FRP, GFRC, PVC, synthetic stone, high density polyurethane, and vinyl. Our promise is to provide you with the highest quality products at the fastest lead-times and competitive prices.

WHAT SETS US APART

- Lifetime Warranties
- Made in America
- Class A fire rated products
- Comprehensive CAD library
- In-house architectural staff to assist with design
- Molds made in-house resulting in inexpensive custom products
- Diversity of materials that can be mixed and matched
- Maintenance Free and Low Maintenance Products
- Budget sensitive as well as top of the line premium products
- Tallest and widest columns in the industry
- Most diverse balustrade/baluster offering in the industry
- Thousands of crown moldings, medallions, corbels, etc. to choose from
- Low prices and fast lead-times



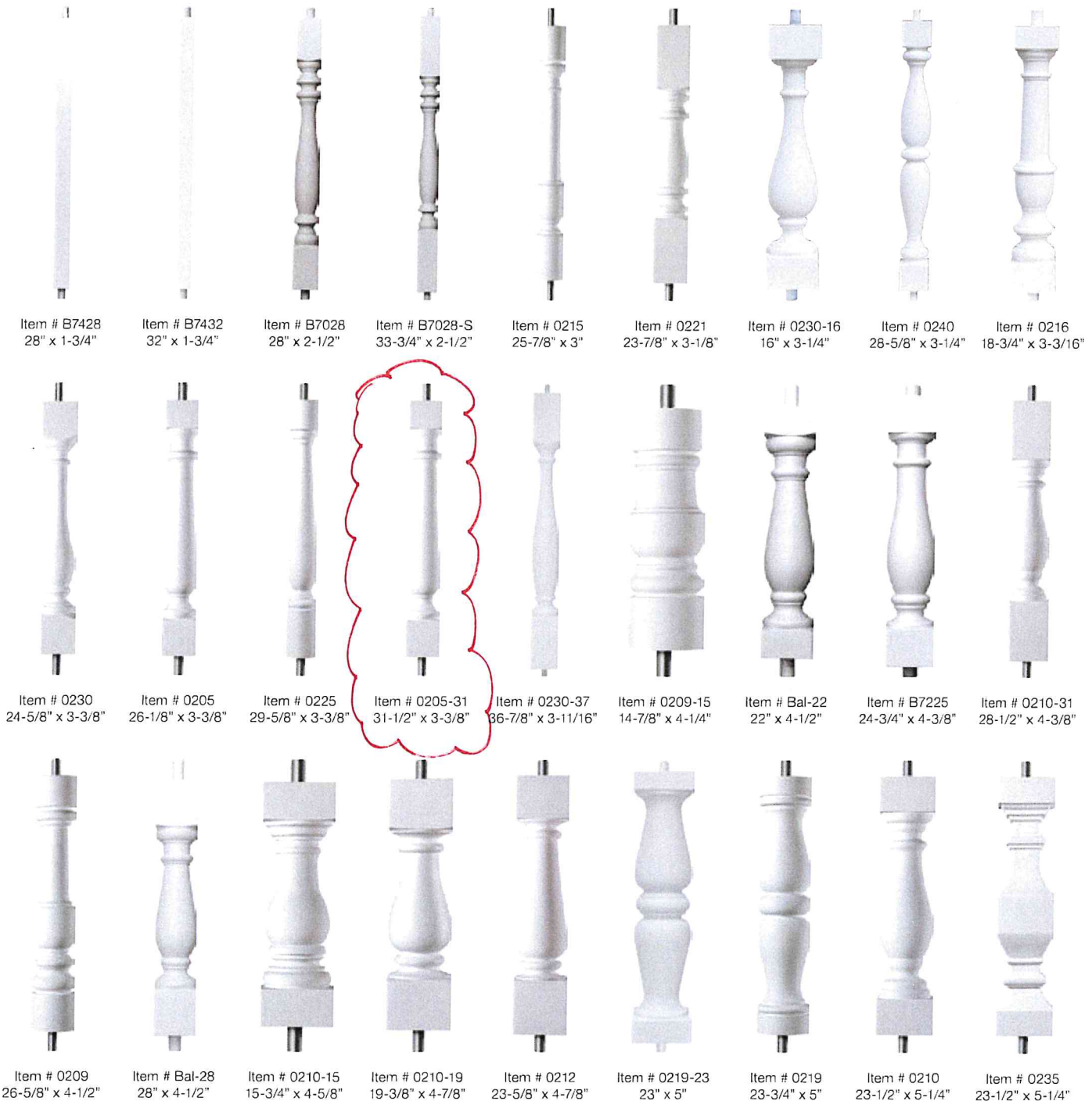
BALUSTERS

Regular vs. Stair Baluster

All of our balusters can be manufactured from synthetic stone, fiberglass, G.F.R.C., and high density polyurethane. Some of our balusters are prefinished while others are paint-grade. You may use our balusters in combination with our railings or use them with your own. All of our balusters can be shortened and we are able to easily increase the height of each baluster by adding to the plinth(s). Custom balusters are fairly inexpensive so feel free to design your own or have us replicate a historic baluster for restoration. All of our balusters are considered light-weight but we can make them heavier as well as lighter to meet your structural requirements.



*Balusters below are pictured as regular balusters not stair





ROYAL GEORGIAN BALUSTER

Item #	0205
Dimensions (L x W)	26-1/8" x 3-3/8"
Weight (lbs)	7
4" Sphere	1.78 Per Foot