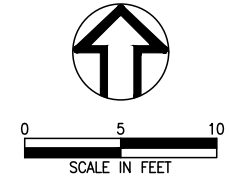
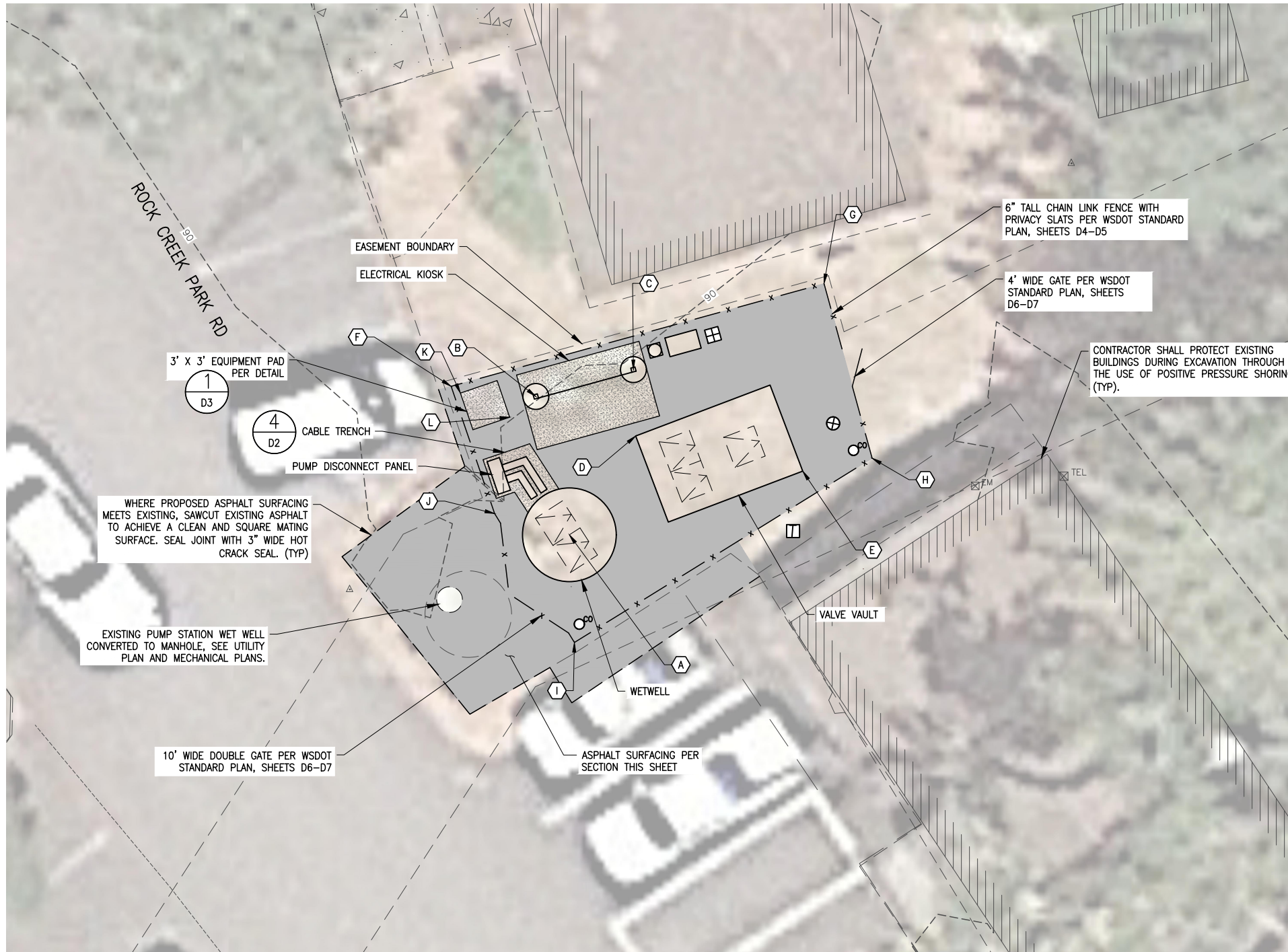
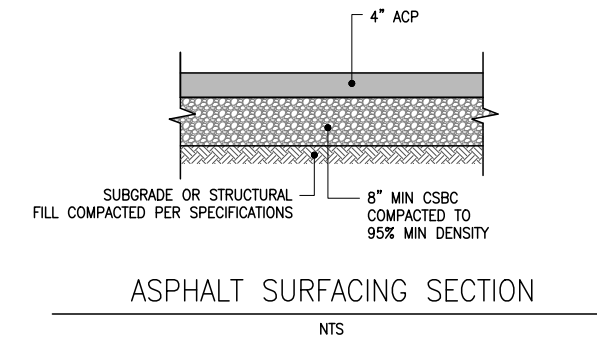


P:\1477B 2021 Collection Sys Imp\500 DWG\501 Plan Sheets\Fairgrounds PS\PUMP STATION CIVIL SITE PLAN.dwg, 1/23/2024 1:20:36 PM, Chad Keys



SURVEY STAKING COORDINATES

PT	DESCRIPTION	NORTHING	EASTING
(A)	CENTER OF WETWELL	134073.5315	1284305.2837
(B)	WEST FOOTING OF CONTROL KIOSK	134084.2381	1284302.6885
(C)	EAST FOOTING OF CONTROL KIOSK	134086.3184	1284310.2405
(D)	NW CORNER OF VALVE VAULT	134081.1784	1284310.4156
(E)	SE CORNER OF VALVE VAULT	134078.4608	1284323.3441
(F)	NW CORNER OF FENCE	134085.0248	1284296.1307
(G)	NE CORNER OF FENCE	134092.9752	1284324.9929
(H)	SE CORNER OF FENCE	134079.4630	1284328.7150
(I)	SW CORNER OF FENCE	134065.1966	1284305.6757
(J)	CORNER OF FENCE	134075.1728	1284299.4982
(K)	WEST CORNER OF EQUIPMENT PAD	134084.5005	1284296.8505
(L)	EAST CORNER OF EQUIPMENT PAD	134082.6320	1284300.6595



NO.	REVISION	BY	DATE

DESIGNED BY: JK/AP
DRAWN BY: CK
CHECKED BY: JW

ONE INCH AT FULL SCALE.
IF NOT ONE INCH ADJUST SCALE ACCORDINGLY.

PUMP STATION CIVIL SITE PLAN

wallis engineering

PROJECT NO: 1477B
DATE: 5/2023

CITY OF STEVENSON FAIRGROUNDS PUMP STATION IMPROVEMENTS



DRAWING NO: **C4**
8 OF 32