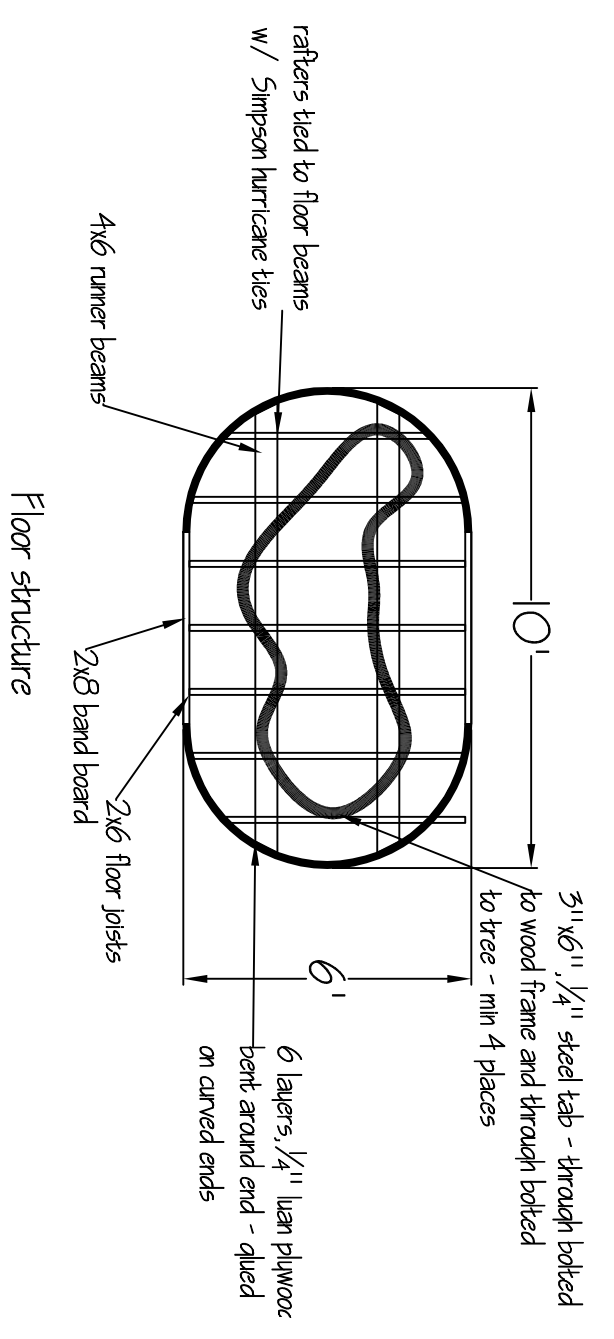
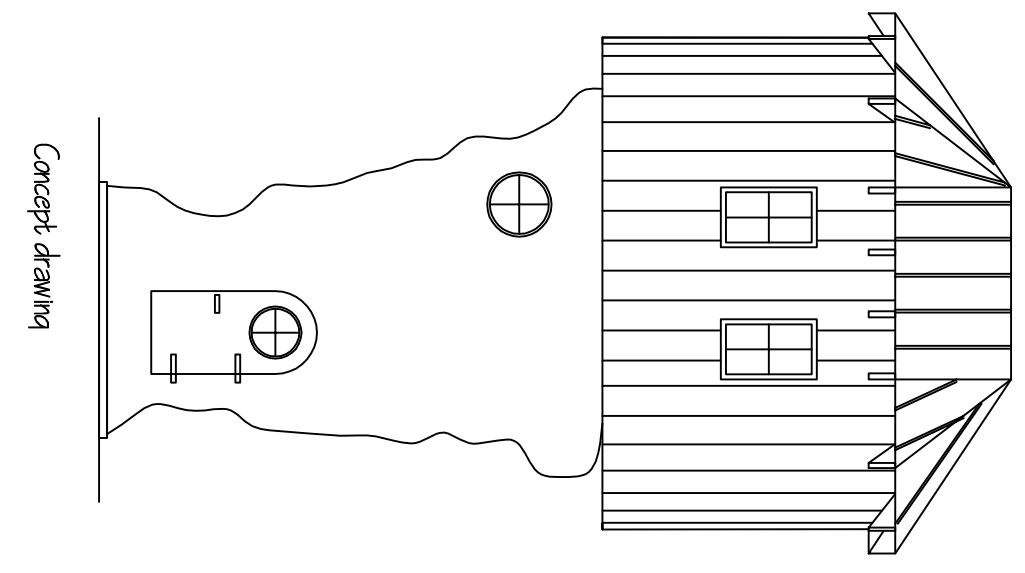


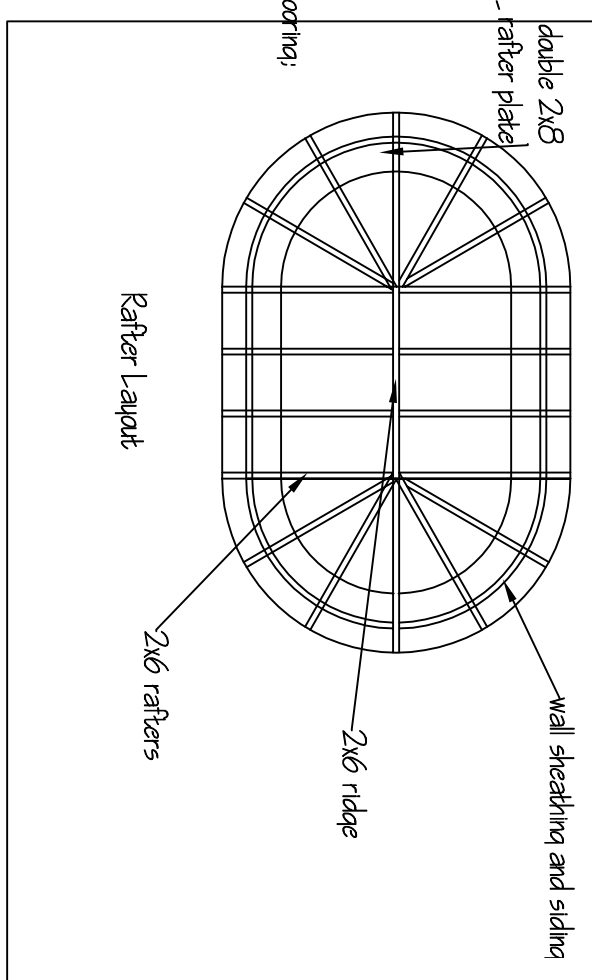
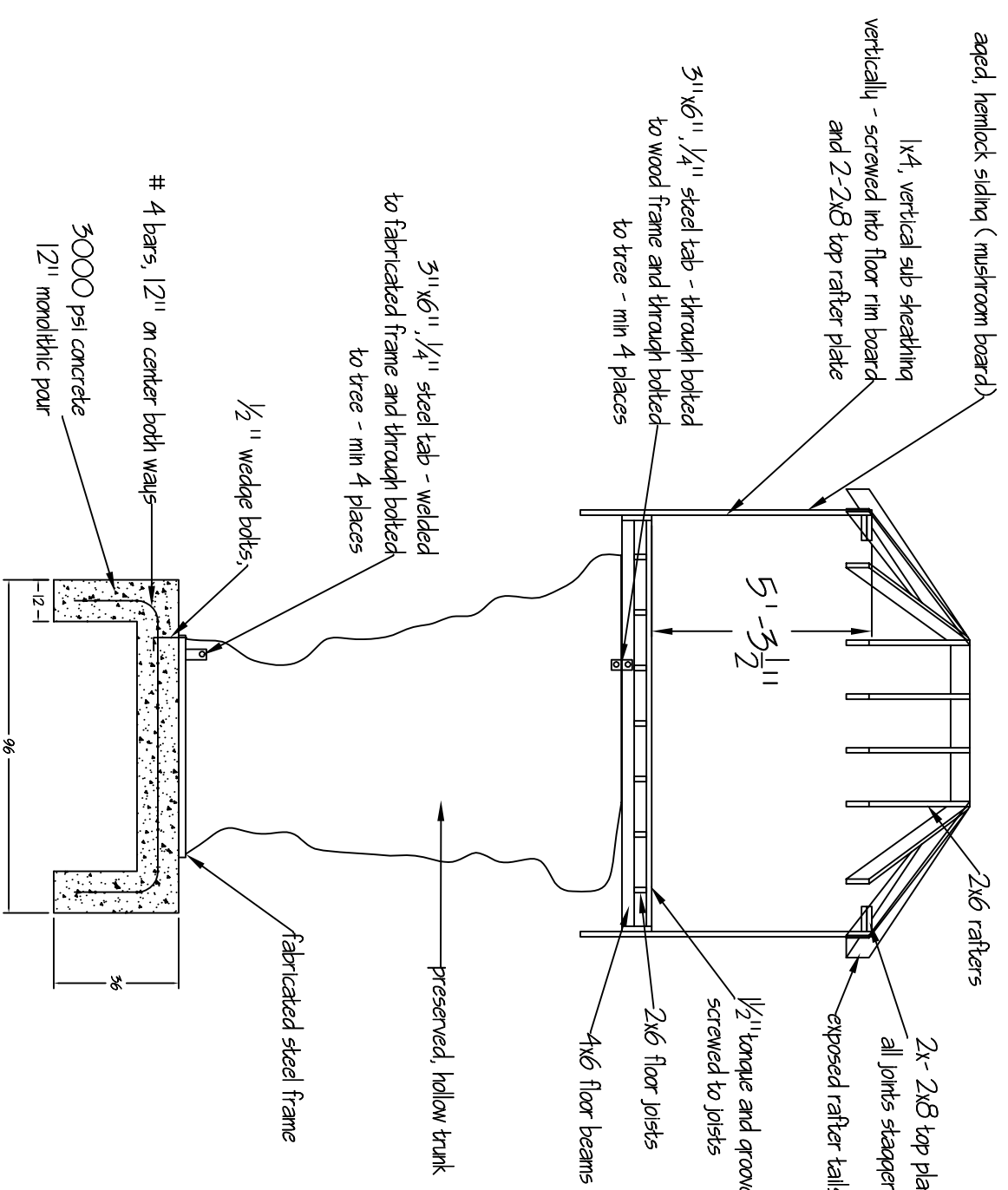
Foundation Layout



Floor structure



Concept drawing



Rafter Layout

River Valley Woodworks 24249 Hopkins Road Walker, ID 83676 Treeshouse	
Scale: 1/4" = 1'-0"	
Date: October, 2022	Drawn by: NWH
	Drawing #: _____
	Page # of 1