

# XSP Series

XSPW™ LED Wall Mount Luminaire featuring Cree TrueWhite® Technology

## Product Description

The XSPW™ LED wall mount luminaire has a slim, low profile design intended for outdoor wall mounted applications. The rugged lightweight aluminum housing and mounting box are designed for installation over standard single gang J-Boxes and mud ring single gang J-Boxes. The luminaire allows for through-wired or conduit entry from the top, bottom, sides and rear. The housing design is intended specifically for LED technology including a weathertight LED driver compartment and thermal management. Optic design features industry-leading NanoOptic® Precision Delivery Grid™ system in multiple distributions.

**Applications:** General area and security lighting

## Performance Summary

NanoOptic® Precision Delivery Grid™ optic

Assembled in the U.S.A. of U.S. and imported parts

**CRI:** Minimum 70 CRI (3000K, 4000K & 5700K); 90 CRI (5000K)

**CCT:** 3000K, 4000K, 5000K, 5700K

**Limited Warranty<sup>†</sup>:** 10 years on luminaire/10 years on Colorfast DeltaGuard® finish

<sup>†</sup> See <http://lighting.cree.com/warranty> for warranty terms

## Accessories

### Field-Installed

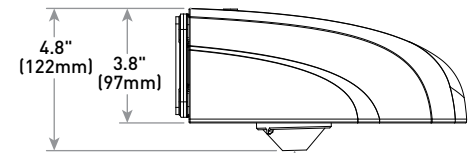
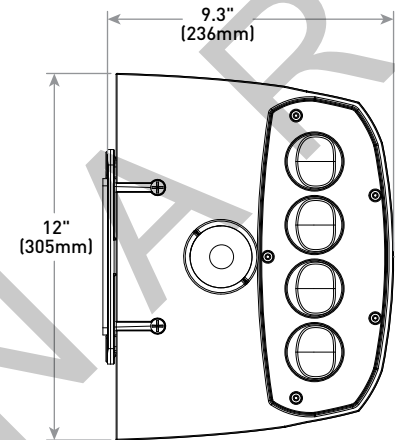
#### Beauty Plate

WM-PLT12\*\* - 12" (305mm) Square

WM-PMT14\*\* - 14" (356mm) Square

- Covers holes left by incumbent wall packs

\*\* Must specify color



Multi-Level Sensor location  
(ordered as an option)

### Weight

9.5 lbs. (4.3kg)

## Ordering Information

Example: XSPW-B-WM-2ME-2L-30K-UL-BK

XSPW	B	WM						
Product	Version	Mounting	Optic	Lumen Package*	CCT	Voltage	Color Options	Options
XSPW	B	WM Wall	<b>2ME</b> Type II Medium <b>3ME</b> Type III Medium <b>4ME</b> Type IV Medium	<b>2L</b> 2,500 lumens <b>4L</b> 4,200 lumens <b>6L</b> 6,000 lumens <b>8L</b> 8,425 lumens	<b>30K</b> 3000K - 70 CRI <b>40K</b> 4000K - 70 CRI <b>50K</b> 5000K - 90 CRI <b>57K</b> 5700K - 70 CRI	<b>UL</b> Universal 120-277V <b>UH</b> Universal 347-480V <b>34</b> 347V	<b>BK</b> Black <b>BZ</b> Bronze <b>SV</b> Silver <b>WH</b> White	<b>ML Multi-Level</b> - Refer to ML spec sheet for details - Available with UL voltage only <b>P Button Photocell</b> - Not available with ML or PML option - Available with UL and 34 voltages only <b>PML Programmable Multi-Level</b> - Refer to PML spec sheet for details - Available with UL voltage only

\* Lumen Package selection codes identify approximate light output only. Actual lumen output levels vary depending on CCT and optic selection. Refer to Initial Delivered Lumen tables for specific lumen values



US: [lighting.cree.com](http://lighting.cree.com)



T (800) 236-6800 F (262) 504-5415

Rev. Date: VersionB V1 R4 12/22/2017

Canada: [www.cree.com/canada](http://www.cree.com/canada)



T (800) 473-1234 F (800) 890-7507

**Product Specifications**

**CREE TRUEWHITE® TECHNOLOGY**

A revolutionary way to generate high-quality white light, Cree TrueWhite® Technology is a patented approach that delivers an exclusive combination of 90+ CRI, beautiful light characteristics and lifelong color consistency, all while maintaining high luminous efficacy – a true no compromise solution.

**CONSTRUCTION & MATERIALS**

- Slim, low profile design
- Luminaire housing specifically designed for LED applications with advanced LED thermal management and driver
- Luminaire mounting box designed for installation over standard single gang J-Boxes and mud ring single gang J-Boxes
- Luminaire can also be direct mounted to a wall and surface wired
- Secures to wall with four 3/16" (5mm) screws (by others)
- Conduit entry from top, bottom, sides, and rear
- Exclusive Colorfast DeltaGuard® finish features an E-coat epoxy primer with an ultra-durable powder topcoat, providing excellent resistance to corrosion, ultraviolet degradation and abrasion. Silver, black, white and bronze are available
- **Weight:** 9.5lbs. (4.3kg)

**ELECTRICAL SYSTEM**

- **Input Voltage:** 120-277V or 347-480V, 50/60Hz
- **Power Factor:** > 0.9 at full load
- **Total Harmonic Distortion:** < 20% at full load
- Integral 10kV surge suppression protection standard
- When code dictates fusing, a slow blow fuse or type C/D breaker should be used to address inrush current
- Designed with 0-10V dimming capabilities. Controls by others
- **10V Source Current:** 0.15 mA

**REGULATORY & VOLUNTARY QUALIFICATIONS**

- cULus Listed (pending)
- Suitable for wet locations
- Designed for downlight applications only
- Designed and suitable for easy through-wiring Enclosure rated IP66 per IEC 60529 (pending)
- 10kV surge suppression protection tested in accordance with IEEE/ANSI C62.41.2 (pending)
- Meets FCC Part 15, Subpart B, Class A standards for conducted and radiated emissions (pending)
- Luminaire and finish endurance tested to withstand 5,000 hours of elevated ambient salt fog conditions as defined in ASTM Standard B 117
- Meets Buy American requirements within ARRA

Delivered Lumens & Electrical Data*									
Lumen Package	CCT/CRI	System Watts	Efficacy	Total Current (A)					
				120V	208V	240V	277V	347V	480V
2L	30K/70 CRI	20	125	0.19	0.11	0.09	0.08	0.06	0.05
	40K/70 CRI	19	132	0.18	0.10	0.09	0.08	0.06	0.04
	50K/90 CRI	24	104	0.22	0.13	0.11	0.10	0.08	0.06
	57K/70 CRI	19	132	0.18	0.10	0.09	0.08	0.06	0.04
4L	30K/70 CRI	33	127	0.31	0.18	0.15	0.13	0.11	0.08
	40K/70 CRI	32	131	0.30	0.17	0.15	0.13	0.10	0.07
	50K/90 CRI	41	102	0.38	0.22	0.19	0.16	0.13	0.09
	57K/70 CRI	31	135	0.29	0.17	0.14	0.12	0.10	0.07
6L	30K/70 CRI	50	120	0.46	0.27	0.23	0.20	0.16	0.12
	40K/70 CRI	48	125	0.44	0.26	0.22	0.19	0.15	0.11
	50K/90 CRI	63	95	0.58	0.34	0.29	0.25	0.20	0.15
	57K/70 CRI	46	130	0.43	0.25	0.21	0.18	0.15	0.11
8L	30K/70 CRI	77	109	0.71	0.41	0.36	0.31	0.25	0.18
	40K/70 CRI	73	115	0.68	0.39	0.34	0.29	0.23	0.17
	50K/90 CRI	77	93	0.71	0.41	0.36	0.31	0.25	0.18
	57K/70 CRI	72	117	0.67	0.38	0.33	0.29	0.23	0.17

\* Electrical data at 25°C (77°F). Actual wattage may differ by +/- 10% when operating between 120-480V +/- 10%

XSPW Series Lumen Maintenance Factors <sup>1</sup>					
Ambient	Initial LMF	25K hr Projected <sup>2</sup> LMF	50K hr Projected <sup>2</sup> LMF	75K hr Projected <sup>2</sup> LMF	100K hr Calculated <sup>3</sup> LMF
5°C (41°F)	1.04	1.00	0.96	0.92	0.88
10°C (50°F)	1.03	0.99	0.95	0.91	0.87
15°C (59°F)	1.02	0.98	0.94	0.90	0.86
20°C (68°F)	1.01	0.97	0.93	0.89	0.85
25°C (77°F)	1.00	0.96	0.92	0.88	0.84

<sup>1</sup> Lumen maintenance values at 25°C (77°F) are calculated per TM-21 based on LM-80 data and in-situ luminaire testing. Luminaire ambient temperature factors (LATF) have been applied to all lumen maintenance factors

<sup>2</sup> In accordance with IESNA TM-21-11, Projected Values represent interpolated value based on time durations that are within six times (6X) the IESNA LM-80-08 total test duration (in hours) for the device under testing (DUT) i.e. the packaged LED chip

<sup>3</sup> In accordance with IESNA TM-21-11, Calculated Values represent time durations that exceed six times (6X) the IESNA LM-80-08 total test duration (in hours) for the device under testing (DUT) i.e. the packaged LED chip



XSPW™ LED Wall Mount Luminaire featuring Cree TrueWhite® Technology

Type II Medium Distribution								
Lumen Package	3000K		4000K		5000K		5700K	
	Initial Delivered Lumens*	BUG Ratings** Per TM-15-11	Initial Delivered Lumens*	BUG Ratings** Per TM-15-11	Initial Delivered Lumens*	BUG Ratings** Per TM-15-11	Initial Delivered Lumens*	BUG Ratings** Per TM-15-11
2L	2,500	TBD	2,500	TBD	2,500	TBD	2,500	TBD
4L	4,200	TBD	4,200	TBD	4,200	TBD	4,200	TBD
6L	6,000	TBD	6,000	TBD	6,000	TBD	6,000	TBD
8L	8,425	TBD	8,425	TBD	7,125	TBD	8,425	TBD

Type III Medium Distribution								
Lumen Package	3000K		4000K		5000K		5700K	
	Initial Delivered Lumens*	BUG Ratings** Per TM-15-11	Initial Delivered Lumens*	BUG Ratings** Per TM-15-11	Initial Delivered Lumens*	BUG Ratings** Per TM-15-11	Initial Delivered Lumens*	BUG Ratings** Per TM-15-11
2L	2,500	TBD	2,500	TBD	2,500	TBD	2,500	TBD
4L	4,200	TBD	4,200	TBD	4,200	TBD	4,200	TBD
6L	6,000	TBD	6,000	TBD	6,000	TBD	6,000	TBD
8L	8,425	TBD	8,425	TBD	7,125	TBD	8,425	TBD

Type IV Medium Distribution								
Lumen Package	3000K		4000K		5000K		5700K	
	Initial Delivered Lumens*	BUG Ratings** Per TM-15-11	Initial Delivered Lumens*	BUG Ratings** Per TM-15-11	Initial Delivered Lumens*	BUG Ratings** Per TM-15-11	Initial Delivered Lumens*	BUG Ratings** Per TM-15-11
2L	2,500	TBD	2,500	TBD	2,500	TBD	2,500	TBD
4L	4,200	TBD	4,200	TBD	4,200	TBD	4,200	TBD
6L	6,000	TBD	6,000	TBD	6,000	TBD	6,000	TBD
8L	8,425	TBD	8,425	TBD	7,125	TBD	8,425	TBD

© 2017 Cree, Inc. and/or one of its subsidiaries. All rights reserved. For informational purposes only. Content is subject to change. Patent [www.cree.com/patents](http://www.cree.com/patents). Cree®, NanoOptic®, TrueWhite®, Cree TrueWhite®, and Colorfast DeltaGuard® are registered trademarks, and the Cree logo, XSPW™, the Cree TrueWhite Technology logo, and Precision Delivery Grid™ are trademarks of Cree, Inc. The UL logo is a registered trademark of UL LLC.

