

RAISE SOUTH
SIDE OF POOL
BY 1'
NEW DEPTH 2.5'

NEW DEPTH 3.5'±

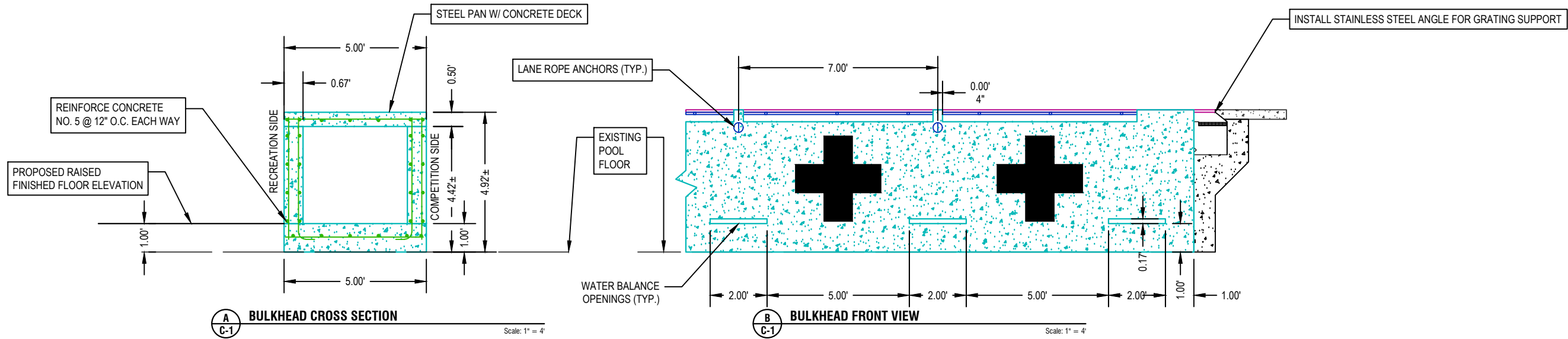
ACCESS HATCH

82.02'
25 METERS

92'-0"

DIVING

SWIMMING POOL



A BULKHEAD CROSS SECTION
Scale: 1" = 4'

B BULKHEAD FRONT VIEW
Scale: 1" = 4'

Rev No.	Date	By	Description

SIDNEY SWIMMING POOL BULKHEAD OPTIONS
CITY OF SIDNEY
SIDNEY, MT

CONCRETE BULKHEAD

Drawn By: SRS
Checked By: _____
Surveyed By: _____
Designed By: _____

Project No: WR22-06-108
Date: 05/17/2023

Interstate Engineering
2177 Lincoln Ave SE
PO Box 648
Sidney, MT 59270
(406) 433.5617
www.interstateeng.com

