

Prepared for:  
Rick Ney  
SHEBOYGAN CITY OF  
828 CENTER AVE

SHEBOYGAN, WI 53081  
Phone: 9204593440

Prepared by:  
Tony Bodway  
TRUCK COUNTRY OF  
WISCONSIN, IN  
2222 WEST RYAN ROAD  
OAK CREEK, WI 53154  
Phone: 414-761-3384

**Q U O T A T I O N**

**114SD PLUS CONVENTIONAL CHASSIS**

SET FORWARD AXLE - TRUCK	5725MM (225 INCH) WHEELBASE
DETROIT DD13 GEN 5 12.8L 470 HP @ 1625 RPM, 1900 GOV RPM, 1650 LB-FT @ 975 RPM	NO FIFTH WHEEL
ALLISON 4500 RDS AUTOMATIC TRANSMISSION WITH PTO PROVISION	1/2X3.64X11-7/8 INCH STEEL FRAME (12.7MMX301.6MM/0.5X11.88 INCH) 120KSI
MERITOR RT-46-160P 46,000# R-SERIES TANDEM REAR AXLE WITH PUMP	1700MM (67 INCH) REAR FRAME OVERHANG
TUFTRAC GEN2 46,000# REAR SPRING SUSPENSION	PARTIAL INNER FRAME REINFORCEMENT AT FRONT SUSPENSION
MERITOR MFS-20-133A 20,000# FL1 71.0 INCH KPI/3.74 INCH DROP SINGLE FRONT AXLE	TEM TO EVALUATE AND INSTALL FRAME RAIL REINFORCEMENT AS NEEDED FOR FRONT FRAME MOUNTED EQUIPMENT
20,000# FLAT LEAF FRONT SUSPENSION	HENDRICKSON HLM 20,000# N-SERIES NON-STEER 16.5X7 BRAKE INTEGRAL DROP CENTER PUSHER AXLE
114 INCH BBC FLAT ROOF ALUMINUM CONVENTIONAL CAB	

		PER UNIT	TOTAL
VEHICLE PRICE	TOTAL # OF UNITS (1)	\$ 161,737	\$ 161,737
EXTENDED WARRANTY		\$ 0	\$ 0
DEALER INSTALLED OPTIONS		\$ 0	\$ 0
<b>CUSTOMER PRICE BEFORE TAX</b>		<b>\$ 161,737</b>	<b>\$ 161,737</b>

TAXES AND FEES			
FEDERAL EXCISE TAX (FET)	\$	(411)	\$ (411)
TAXES AND FEES	\$	0	\$ 0
OTHER CHARGES	\$	0	\$ 0

TRADE-IN			
TRADE-IN ALLOWANCE	\$	(0)	\$ (0)

<b>BALANCE DUE</b>	<b>(LOCAL CURRENCY)</b>	<b>\$ 161,326</b>	<b>\$ 161,326</b>
--------------------	-------------------------	-------------------	-------------------

COMMENTS:

Projected delivery on \_\_\_ / \_\_\_ / \_\_\_ provided the order is received before \_\_\_ / \_\_\_ / \_\_\_.

APPROVAL:

Please indicate your acceptance of this quotation by signing below:



Prepared for:  
Rick Ney  
SHEBOYGAN CITY OF  
828 CENTER AVE  
  
SHEBOYGAN, WI 53081  
Phone: 9204593440

Prepared by:  
Tony Bodway  
TRUCK COUNTRY OF  
WISCONSIN, IN  
2222 WEST RYAN ROAD  
OAK CREEK, WI 53154  
Phone: 414-761-3384

Customer: X \_\_\_\_\_ Date: \_\_\_ / \_\_\_ / \_\_\_.

**Daimler Truck Financial**

Financing that works for you.

See your local dealer for a competitive quote from Daimler Truck Financial, or contact us at [Information@dtfoffers.com](mailto:Information@dtfoffers.com).

Daimler Truck Financial offers a variety of finance, lease and insurance solutions to fit your business needs. For more information about our products and services, visit our website at [www.daimler-truckfinancial.com](http://www.daimler-truckfinancial.com).



Prepared for:  
Rick Ney  
SHEBOYGAN CITY OF  
828 CENTER AVE

SHEBOYGAN, WI 53081  
Phone: 9204593440

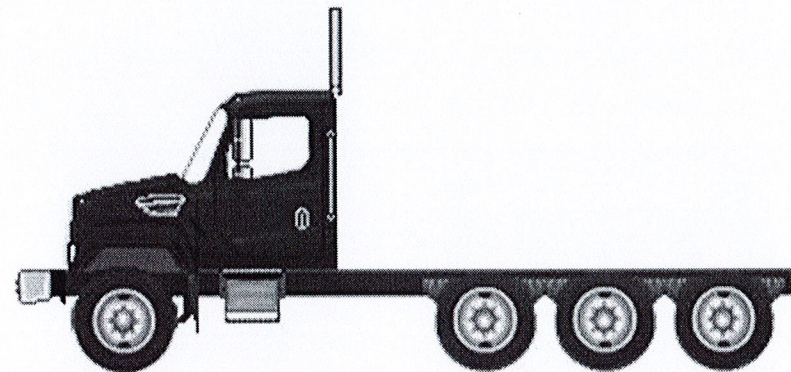
Prepared by:  
Tony Bodway  
TRUCK COUNTRY OF  
WISCONSIN, IN  
2222 WEST RYAN ROAD  
OAK CREEK, WI 53154  
Phone: 414-761-3384

*A proposal for*  
**SHEBOYGAN CITY OF**

*Prepared by*  
**TRUCK COUNTRY OF WISCONSIN, IN**  
*Tony Bodway*

*Sep 25, 2024*

**Freightliner 114SD Plus**



Components shown may not reflect all spec'd options and are not to scale



Prepared for:  
 Rick Ney  
 SHEBOYGAN CITY OF  
 828 CENTER AVE

SHEBOYGAN, WI 53081  
 Phone: 9204593440

Prepared by:  
 Tony Bodway  
 TRUCK COUNTRY OF  
 WISCONSIN, IN  
 2222 WEST RYAN ROAD  
 OAK CREEK, WI 53154  
 Phone: 414-761-3384

## S P E C I F I C A T I O N P R O P O S A L

Data Code	Description	Weight Front	Weight Rear
<b>Price Level</b>			
PRL-29D	SD PRL-29D (EFF:MY26 ORDERS)		
<b>Data Version</b>			
DRL-010	SPECPRO21 DATA RELEASE VER 010		
<b>Vehicle Configuration</b>			
001-177	114SD PLUS CONVENTIONAL CHASSIS	7,934	6,476
004-226	2026 MODEL YEAR SPECIFIED		
002-003	SET FORWARD AXLE - TRUCK		
019-006	TRAILER TOWING PROVISION AT END OF FRAME WITH SAE J560	10	10
003-001	LH PRIMARY STEERING LOCATION		
<b>General Service</b>			
AA1-003	TRUCK/TRAILER CONFIGURATION		
AA6-002	DOMICILED, USA (EXCLUDING CALIFORNIA AND CARB OPT-IN STATES)		
99D-027	EPA EMISSIONS CERTIFICATION FOR REGISTRATION IN EPA OR ACT STATES - EPA CLEAN IDLE (INCLUDES 6X4 INCH LABEL ON LOWER FORWARD OF DRIVER DOOR)		
A85-010	UTILITY/REPAIR/MAINTENANCE SERVICE		
A84-1GM	GOVERNMENT BUSINESS SEGMENT		
AA4-010	DIRT/SAND/ROCK COMMODITY		
AA5-002	TERRAIN/DUTY: 100% (ALL) OF THE TIME, IN TRANSIT, IS SPENT ON PAVED ROADS		
AB1-008	MAXIMUM 8% EXPECTED GRADE		
AB5-001	SMOOTH CONCRETE OR ASPHALT PAVEMENT - MOST SEVERE IN-TRANSIT (BETWEEN SITES) ROAD SURFACE		
995-1AE	FREIGHTLINER LEVEL II WARRANTY		
A66-99D	EXPECTED FRONT AXLE(S) LOAD : 20000.0 lbs		
A68-99D	EXPECTED REAR DRIVE AXLE(S) LOAD : 46000.0 lbs		



Prepared for:  
Rick Ney  
SHEBOYGAN CITY OF  
828 CENTER AVE

SHEBOYGAN, WI 53081  
Phone: 9204593440

Prepared by:  
Tony Bodway  
TRUCK COUNTRY OF  
WISCONSIN, IN  
2222 WEST RYAN ROAD  
OAK CREEK, WI 53154  
Phone: 414-761-3384

Data Code	Description	Weight Front	Weight Rear
A67-99D	EXPECTED PUSHER AXLE(S) LOAD : 20000.0 lbs		
A63-99D	EXPECTED GROSS VEHICLE WEIGHT CAPACITY : 86000.0 lbs		
A70-99D	EXPECTED GROSS COMBINATION WEIGHT : 90000.0 lbs		
<b>Truck Service</b>			
AA3-018	FRONT PLOW/END DUMP BODY		
AF3-142	MONROE TRUCK EQUIPMENT		
<b>Tractor Service</b>			
AA2-005	FLATBED TRAILER		
AH6-001	SINGLE (1) TRAILER		
<b>Engine</b>			
101-3C0	DETROIT DD13 GEN 5 12.8L 470 HP @ 1625 RPM, 1900 GOV RPM, 1650 LB-FT @ 975 RPM		
<b>Electronic Parameters</b>			
79A-070	70 MPH ROAD SPEED LIMIT		
79B-000	CRUISE CONTROL SPEED LIMIT SAME AS ROAD SPEED LIMIT		
79F-013	FLEET MANAGEMENT - DAILY ENGINE USAGE ENABLED		
79G-020	30 MINUTES IDLE SHUTDOWN WITHOUT CLUTCH AND SERVICE BRAKE OVERRIDE		
79K-014	PTO MODE ENGINE RPM LIMIT - 1800 RPM		
N 79L-022	PTO MODE PTO 1 THROTTLE OVERRIDE ENABLED		
79P-032	PTO RPM CONTROL WITH STEERING WHEEL SWITCHES		
79T-001	PTO MODE RPM INCREMENT - 25 RPM		
79U-001	PTO GOVERNOR RAMP RATE - 25 RPM PER SECOND		
79V-001	FUEL DOSING OF AFTERTREATMENT ENABLED IN PTO MODE-CLEANS HYDROCARBONS AT HIGH TEMPERATURES ONLY		
79W-001	ONE REMOTE PTO SPEED		
79X-003	PTO SPEED 1 SETTING - 800 RPM		
80G-001	PTO MINIMUM RPM - 600		
80L-003	ENABLE DPF REGEN ZONE 1 WITH AUTO ENGINE RPM ELEVATE FOR EXTENDED IDLE		
80S-022	PTO 1, WITH SWITCH, TEM SUPPLIED REQUEST AND INTERLOCKS, WITH PTO CONNECTIONS, ENGAGE WHILE DRIVING INTERLOCKS		



Prepared for:  
Rick Ney  
SHEBOYGAN CITY OF  
828 CENTER AVE

SHEBOYGAN, WI 53081  
Phone: 9204593440

Prepared by:  
Tony Bodway  
TRUCK COUNTRY OF  
WISCONSIN, IN  
2222 WEST RYAN ROAD  
OAK CREEK, WI 53154  
Phone: 414-761-3384

Data Code	Description	Weight Front	Weight Rear
<b>Engine Equipment</b>			
99C-024	EPA 2010/GHG 2024 CONFIGURATION		
13E-001	STANDARD OIL PAN		
105-001	ENGINE MOUNTED OIL CHECK AND FILL		
014-108	SIDE OF HOOD AIR INTAKE WITH FIREWALL MOUNTED DONALDSON AIR CLEANER WITH SAFETY ELEMENT AND INSIDE/OUTSIDE AIR WITH SNOW DOOR	10	
124-1D7	DR 12V 160 AMP 28-SI QUADRAMOUNT PAD ALTERNATOR WITH REMOTE BATTERY VOLT SENSE		
292-236	(3) DTNA GENUINE, FLOODED STARTING, MIN 3000CCA, 555RC, THREADED STUD BATTERIES		
290-017	BATTERY BOX FRAME MOUNTED		
281-001	STANDARD BATTERY JUMPERS		
282-001	SINGLE BATTERY BOX FRAME MOUNTED LH SIDE UNDER CAB		
291-017	WIRE GROUND RETURN FOR BATTERY CABLES WITH ADDITIONAL FRAME GROUND RETURN		
289-001	NON-POLISHED BATTERY BOX COVER		
295-029	POSITIVE AND NEGATIVE POSTS FOR JUMPSTART LOCATED ON FRAME NEXT TO STARTER	2	
306-015	PROGRESSIVE LOW VOLTAGE DISCONNECT AT 12.3 VOLTS FOR DESIGNATED CIRCUITS	2	
107-046	BW MODEL FE-921 19.0 CFM SINGLE CYLINDER AIR COMPRESSOR WITH SAFETY VALVE		
152-041	ELECTRONIC ENGINE INTEGRAL SHUTDOWN PROTECTION SYSTEM		
128-002	JACOBS COMPRESSION BRAKE		
016-1C2	RH OUTBOARD UNDER STEP MOUNTED HORIZONTAL AFTERTREATMENT SYSTEM ASSEMBLY WITH RH B-PILLAR MOUNTED VERTICAL TAILPIPE	30	25
28F-014	ENGINE AFTERTREATMENT DEVICE, AUTOMATIC OVER THE ROAD REGENERATION AND VIRTUAL REGENERATION REQUEST SWITCH IN CLUSTER		
239-200	INTEGRATED STACK AND B-PILLAR PIPE WITH MINIMUM STACK PROTRUSION ABOVE CAB		
237-1CR	RH CURVED VERTICAL TAILPIPE B-PILLAR MOUNTED ROUTED FROM STEP		
23U-002	13 GALLON DIESEL EXHAUST FLUID TANK		
30N-003	100 PERCENT DIESEL EXHAUST FLUID FILL		



Prepared for:  
Rick Ney  
SHEBOYGAN CITY OF  
828 CENTER AVE

SHEBOYGAN, WI 53081  
Phone: 9204593440

Prepared by:  
Tony Bodway  
TRUCK COUNTRY OF  
WISCONSIN, IN  
2222 WEST RYAN ROAD  
OAK CREEK, WI 53154  
Phone: 414-761-3384

Data Code	Description	Weight Front	Weight Rear
23Y-001	STANDARD DIESEL EXHAUST FLUID PUMP MOUNTING		
43X-002	LH MEDIUM DUTY STANDARD DIESEL EXHAUST FLUID TANK LOCATION		
43Y-001	STANDARD DIESEL EXHAUST FLUID TANK CAP		
242-001	STAINLESS STEEL AFTERTREATMENT DEVICE/MUFFLER/TAILPIPE SHIELD		
273-058	AIR POWERED ON/OFF ENGINE FAN CLUTCH		
276-001	AUTOMATIC FAN CONTROL WITHOUT DASH SWITCH, NON ENGINE MOUNTED		
110-068	DDC SUPPLIED ENGINE MOUNTED FUEL FILTER/FUEL WATER SEPARATOR WITH WATER-IN-FUEL INDICATOR		
118-001	FULL FLOW OIL FILTER		
120-998	NO COOLANT FILTER	-10	
266-107	1400 SQUARE INCH VOCATIONAL RADIATOR		
103-040	ANTIFREEZE TO -60F, OAT (NITRITE AND SILCATE FREE) EXTENDED LIFE COOLANT		
171-007	GATES BLUE STRIPE COOLANT HOSES OR EQUIVALENT		
172-001	CONSTANT TENSION HOSE CLAMPS FOR COOLANT HOSES		
270-023	HDEP FIXED RATIO COOLANT PUMP AND RADIATOR DRAIN VALVE		
155-076	DELCO 12V MOD 3.175-39MT+ STARTER WITH ENGINE ECU SOFTWARE PROTECTION AND INTEGRATED MAGNETIC SWITCH	-45	
<b>Transmission</b>			
342-1M3	ALLISON 4500 RDS AUTOMATIC TRANSMISSION WITH PTO PROVISION	260	100
<b>Transmission Equipment</b>			
343-339	ALLISON VOCATIONAL PACKAGE 223 - AVAILABLE ON 3000/4000 PRODUCT FAMILIES WITH VOCATIONAL MODELS RDS, HS, MH AND TRV		
84B-012	ALLISON VOCATIONAL RATING FOR ON/OFF HIGHWAY APPLICATIONS AVAILABLE WITH ALL PRODUCT FAMILIES		
84C-023	PRIMARY MODE GEARS, LOWEST GEAR 1, START GEAR 1, HIGHEST GEAR 6, AVAILABLE FOR 3000/4000 PRODUCT FAMILIES ONLY		
84D-023	SECONDARY MODE GEARS, LOWEST GEAR 1, START GEAR 1, HIGHEST GEAR 6, AVAILABLE FOR 3000/4000 PRODUCT FAMILIES ONLY		



Prepared for:  
 Rick Ney  
 SHEBOYGAN CITY OF  
 828 CENTER AVE

SHEBOYGAN, WI 53081  
 Phone: 9204593440

Prepared by:  
 Tony Bodway  
 TRUCK COUNTRY OF  
 WISCONSIN, IN  
 2222 WEST RYAN ROAD  
 OAK CREEK, WI 53154  
 Phone: 414-761-3384

Data Code	Description	Weight Front	Weight Rear
84E-013	S1 PERFORMANCE PRIMARY SHIFT SCHEDULE, AVAILABLE FOR 3000/4000 PRODUCT FAMILIES ONLY		
84F-012	S1 PERFORMANCE SECONDARY SHIFT SCHEDULE, AVAILABLE FOR 3000/4000 PRODUCT FAMILIES ONLY		
84G-009	1800 RPM PRIMARY MODE SHIFT SPEED		
84H-009	1800 RPM SECONDARY MODE SHIFT SPEED		
84K-002	2ND GEAR ENGINE BRAKE ALTERNATE PRESELECT WITH MODERATE DOWNSHIFT STRATEGY		
84N-011	NEUTRAL AT STOP ENABLED		
84U-000	DRIVER SWITCH INPUT - DEFAULT - NO SWITCHES		
84V-001	DIRECTION CHANGE ENABLED WITH MULTIPLEXED SERVICE BRAKES - ALLISON 5TH GEN TRANSMISSIONS		
85F-074	MAXIMUM ENGINE SPEED FOR PTO OPERATION 4000 RPM		
85H-239	MAXIMUM OUTPUT SPEED FOR PTO OPERATION 6000 RPM - ALLISON 5TH GEN TRANSMISSIONS		
85T-998	NO AMT HOLD MODE		
353-075	QUICKFIT BODY LIGHTING CONNECTOR AT END OF FRAME, WITH CAP		
34C-011	ELECTRONIC TRANSMISSION WIRING TO CUSTOMER INTERFACE CONNECTOR		
362-823	CUSTOMER INSTALLED CHELSEA 280 SERIES PTO		
363-001	PTO MOUNTING, LH SIDE OF MAIN TRANSMISSION ALLISON		
341-018	MAGNETIC PLUGS, ENGINE DRAIN, TRANSMISSION DRAIN, AXLE(S) FILL AND DRAIN		
345-078	HEAVY DUTY ELECTRONIC TRANSMISSION SHIFT CONTROL, COLUMN MOUNTED		
97G-004	TRANSMISSION PROGNOSTICS - ENABLED 2013		
370-011	WATER TO OIL TRANSMISSION COOLER, FRAME MOUNTED		
346-003	TRANSMISSION OIL CHECK AND FILL WITH ELECTRONIC OIL LEVEL CHECK		
35T-001	SYNTHETIC TRANSMISSION FLUID (TES-295 COMPLIANT)		

**Front Axle and Equipment**





Prepared for:  
Rick Ney  
SHEBOYGAN CITY OF  
828 CENTER AVE

SHEBOYGAN, WI 53081  
Phone: 9204593440

Prepared by:  
Tony Bodway  
TRUCK COUNTRY OF  
WISCONSIN, IN  
2222 WEST RYAN ROAD  
OAK CREEK, WI 53154  
Phone: 414-761-3384

Data Code	Description	Weight Front	Weight Rear
400-1AC	MERITOR MFS-20-133A 20,000# FL1 71.0 INCH KPI/3.74 INCH DROP SINGLE FRONT AXLE	260	
402-030	MERITOR 16.5X6 Q+ CAST SPIDER CAM FRONT BRAKES, DOUBLE ANCHOR, FABRICATED SHOES	10	
403-002	NON-ASBESTOS FRONT BRAKE LINING		
419-001	CAST IRON OUTBOARD FRONT BRAKE DRUMS		
427-001	FRONT BRAKE DUST SHIELDS	5	
409-006	FRONT OIL SEALS		
408-001	VENTED FRONT HUB CAPS WITH WINDOW, CENTER AND SIDE PLUGS - OIL		
416-022	STANDARD SPINDLE NUTS FOR ALL AXLES		
405-031	HALDEX AUTOMATIC FRONT SLACK ADJUSTERS WITH STAINLESS STEEL CLEVIS PINS		
406-001	STANDARD KING PIN BUSHINGS		
536-055	TRW THP-60 POWER STEERING WITH RCH45 AUXILIARY GEAR	130	
539-003	POWER STEERING PUMP		
534-003	4 QUART POWER STEERING RESERVOIR		
533-001	OIL/AIR POWER STEERING COOLER		
40T-002	CURRENT AVAILABLE SYNTHETIC 75W-90 FRONT AXLE LUBE		
<b>Front Suspension</b>			
620-006	20,000# FLAT LEAF FRONT SUSPENSION	310	
619-004	GRAPHITE BRONZE BUSHINGS WITH SEALS - FRONT SUSPENSION		
410-001	FRONT SHOCK ABSORBERS		
<b>Rear Axle and Equipment</b>			
420-111	MERITOR RT-46-160P 46,000# R-SERIES TANDEM REAR AXLE WITH PUMP		450
421-456	4.56 REAR AXLE RATIO		
424-001	IRON REAR AXLE CARRIER WITH STANDARD AXLE HOUSING		
386-089	SPL250 HT XL DANA SPICER MAIN DRIVELINE	60	60
388-012	SPL170 XL DANA SPICER INTERAXLE DRIVELINE WITH HALF ROUND YOKES		10
452-006	DRIVER CONTROLLED TRACTION DIFFERENTIAL - BOTH TANDEM REAR AXLES		30
878-023	(1) INTERAXLE LOCK VALVE, (1) DRIVER CONTROLLED DIFFERENTIAL LOCK FORWARD-REAR AND REAR-REAR AXLE VALVE		



Prepared for:  
Rick Ney  
SHEBOYGAN CITY OF  
828 CENTER AVE

SHEBOYGAN, WI 53081  
Phone: 9204593440

Prepared by:  
Tony Bodway  
TRUCK COUNTRY OF  
WISCONSIN, IN  
2222 WEST RYAN ROAD  
OAK CREEK, WI 53154  
Phone: 414-761-3384

Data Code	Description	Weight Front	Weight Rear
87A-017	INDICATOR LIGHT FOR EACH INTERAXLE LOCKOUT SWITCH, DISENGAGE INTERAXLE LOCK WITH IGNITION OFF		
87B-024	INDICATOR LIGHT FOR EACH DIFFERENTIAL LOCKOUT SWITCH, ENGAGE AT SPEEDS 5 MPH OR LESS, DISENGAGE W/IGN OFF OR SPEEDS EXCEEDING 25 MPH		
423-019	MERITOR 16.5X8.62 Q+ CAST SPIDER CAM REAR BRAKES, DOUBLE ANCHOR, FABRICATED SHOES		
433-002	NON-ASBESTOS REAR BRAKE LINING		
434-011	BRAKE CAMS AND CHAMBERS ON FORWARD SIDE OF DRIVE AXLE(S)		
451-001	CAST IRON OUTBOARD REAR BRAKE DRUMS		40
425-002	REAR BRAKE DUST SHIELDS		10
440-006	REAR OIL SEALS		
426-101	WABCO TRISTOP D LONGSTROKE 2-DRIVE AXLE SPRING PARKING CHAMBERS		
428-003	HALDEX AUTOMATIC REAR SLACK ADJUSTERS		
41T-002	CURRENT AVAILABLE SYNTHETIC 75W-90 REAR AXLE LUBE		
42T-001	STANDARD REAR AXLE BREATHER(S)		
<b>Rear Suspension</b>			
622-298	TUFTRAC GEN2 46,000# REAR SPRING SUSPENSION		490
621-108	9.5 INCH NOMINAL RIDE HEIGHT (460MM GLOBAL REFERENCE HEIGHT)		
431-003	AXLE CLAMPING GROUP		
624-025	55 INCH AXLE SPACING		
623-006	FORE/AFT AND TRANSVERSE CONTROL RODS		
439-002	REAR SHOCK ABSORBERS - TWO AXLES (TANDEM)		40
<b>Pusher / Tag Equipment</b>			
035-024	HENDRICKSON HLM-2 20,000# NON-STEER PUSHER SUSPENSION, N-SERIES DROP CENTER AXLE	700	1,305
443-085	HENDRICKSON HLM 20,000# N-SERIES NON-STEER 16.5X7 BRAKE INTEGRAL DROP CENTER PUSHER AXLE		
874-015	(1) DASH VALVE AND (1) GAUGE FOR SINGLE LIFT AXLE		



Prepared for:  
Rick Ney  
SHEBOYGAN CITY OF  
828 CENTER AVE

SHEBOYGAN, WI 53081  
Phone: 9204593440

Prepared by:  
Tony Bodway  
TRUCK COUNTRY OF  
WISCONSIN, IN  
2222 WEST RYAN ROAD  
OAK CREEK, WI 53154  
Phone: 414-761-3384

	Data Code	Description	Weight Front	Weight Rear
N	87F-011	LIFT AXLE WIRING, LIFT AXLE MAINTAINS THE CURRENT POSITION WHEN VEHICLE IS PUT IN REVERSE, LAST STATE RETENTION WITH IGNITION OFF		
	896-014	(1)REGULATOR MOUNTED ON CHASSIS FOR SINGLE LIFT AXLE		
	456-1AH	HENDRICKSON 16.5X7 CAM PUSHER/TAG BRAKES, DOUBLE ANCHOR, FABRICATED SHOES		
	457-002	NON-ASBESTOS PUSHER/TAG BRAKE LINING		
	448-023	CONMET CAST IRON PUSHER/TAG BRAKE DRUMS		
	429-001	PUSHER/TAG BRAKE DUST SHIELDS		5
	442-016	PUSHER/TAG OIL SEALS		
	444-001	VENTED PUSHER/TAG HUB CAPS WITH WINDOW, CENTER AND SIDE PLUGS - OIL		
	445-074	HALDEX GOLDSEAL LONGSTROKE PUSHER/TAG AXLE SPRING PARKING CHAMBERS		20
	458-010	BENDIX VERSAJUST AUTOMATIC PUSHER/TAG SLACK ADJUSTERS		
	626-090	HENDRICKSON HLM-2 20,000# NON-STEER AIR LIFT PUSHER SUSPENSION		
*	627-014	74 INCH AXLE SPACING PUSHER/TAG		
	627-026	71 INCH AXLE SPACING		
<b>Brake System</b>				
	490-100	WABCO 4S/4M ABS		
	871-001	REINFORCED NYLON, FABRIC BRAID AND WIRE BRAID CHASSIS AIR LINES		
	904-001	FIBER BRAID PARKING BRAKE HOSE		
	412-001	STANDARD BRAKE SYSTEM VALVES		
	46D-002	STANDARD AIR SYSTEM PRESSURE PROTECTION SYSTEM		
	413-002	STD U.S. FRONT BRAKE VALVE		
	432-014	(2) RELAY VALVES; ONE 5-8 PSI FOR TANDEM AXLE AND ONE 3-4.5 PSI CRACK FOR PUSHER/TAG		
	480-009	BW AD-9 BRAKE LINE AIR DRYER WITH HEATER	20	
	483-003	BENDIX OIL COALESCING FILTER FOR AIR DRYER		
*	479-015	AIR DRYER FRAME MOUNTED		
		MOUNT BETWEEN PUSHER AND FWD DRIVE AXLE		



Prepared for:  
Rick Ney  
SHEBOYGAN CITY OF  
828 CENTER AVE  
  
SHEBOYGAN, WI 53081  
Phone: 9204593440

Prepared by:  
Tony Bodway  
TRUCK COUNTRY OF  
WISCONSIN, IN  
2222 WEST RYAN ROAD  
OAK CREEK, WI 53154  
Phone: 414-761-3384

Data Code	Description	Weight Front	Weight Rear
* 460-093	STEEL AIR BRAKE RESERVOIRS; CUSTOMER ACCEPTS TANKS MOUNTED PERPENDICULAR TO RAIL	10	10
	MOUNT BETWEEN PUSHER AND FWD DRIVE AXLE		
477-003	BW DV-2 AUTO DRAIN VALVE WITHOUT HEATER - WET TANK		
<b>Trailer Connections</b>			
481-998	NO TRAILER AIR HOSE		
476-998	NO AIR HOSE HANGER		
914-001	AIR CONNECTIONS TO END OF FRAME WITH GLAD HANDS FOR TRUCK AND NO DUST COVERS		
296-027	PRIMARY CONNECTOR/RECEPTACLE WIRED FOR COMBINATION STOP/TURN, CENTER PIN POWERED THROUGH IGNITION WITH STOP SIGNAL PREWIRE PACKAGE		
303-026	SAE J560 7-WAY PRIMARY TRAILER CABLE RECEPTACLE TEMPORARY TIED & COILED IN CHASSIS END OF FRAME WITH 2' ADDITIONAL; NO BRACKETS		
310-998	NO TRAILER ELECTRICAL CABLE		
<b>Wheelbase &amp; Frame</b>			
545-572	5725MM (225 INCH) WHEELBASE		
546-1B2	1/2X3.64X11-7/8 INCH STEEL FRAME (12.7MMX301.6MM/0.5X11.88 INCH) 120KSI	450	290
547-034	PARTIAL INNER FRAME REINFORCEMENT AT FRONT SUSPENSION	180	
548-803	TEM TO EVALUATE AND INSTALL FRAME RAIL REINFORCEMENT AS NEEDED FOR FRONT FRAME MOUNTED EQUIPMENT		
552-034	1700MM (67 INCH) REAR FRAME OVERHANG		
55W-006	FRAME OVERHANG RANGE: 61 INCH TO 70 INCH		
549-002	24 INCH INTEGRAL FRONT FRAME EXTENSION	140	-20
AC8-99D	CALC'D BACK OF CAB TO REAR SUSP C/L (CA) : 141.93 in		
AE8-99D	CALCULATED EFFECTIVE BACK OF CAB TO REAR SUSPENSION C/L (CA) : 138.93 in		
AE4-99D	CALC'D FRAME LENGTH - OVERALL : 343.99 in		
FSS-0LH	CALCULATED FRAME SPACE LH SIDE : 9.63 in		
FSS-0RH	CALCULATED FRAME SPACE RH SIDE : 13.43 in		
AM6-99D	CALC'D SPACE AVAILABLE FOR DECKPLATE : 0.0 in		



Prepared for:  
Rick Ney  
SHEBOYGAN CITY OF  
828 CENTER AVE  
  
SHEBOYGAN, WI 53081  
Phone: 9204593440

Prepared by:  
Tony Bodway  
TRUCK COUNTRY OF  
WISCONSIN, IN  
2222 WEST RYAN ROAD  
OAK CREEK, WI 53154  
Phone: 414-761-3384

Data Code	Description	Weight Front	Weight Rear
553-001	SQUARE END OF FRAME		
587-003	REAR TOW HOOKS		10
550-001	FRONT CLOSING CROSSMEMBER		
559-001	STANDARD WEIGHT ENGINE CROSSMEMBER		
562-001	STANDARD MIDSHIP #1 CROSSMEMBER(S)		
572-001	STANDARD REARMOST CROSSMEMBER		
565-002	HEAVY DUTY SUSPENSION CROSSMEMBER		30
<b>Chassis Equipment</b>			
556-1E5	14 INCH PAINTED STEEL BUMPER	20	
558-001	FRONT TOW HOOKS - FRAME MOUNTED	15	
574-001	BUMPER MOUNTING FOR SINGLE LICENSE PLATE		
585-998	NO MUDFLAP BRACKETS		
590-998	NO REAR MUDFLAPS		
551-001	HUCK-SPIN ROUND COLLAR CHASSIS FASTENERS SUSPENSIONS ONLY		
44Z-002	EXTERIOR HARNESSSES WRAPPED IN ABRASION TAPE		
* 601-020	3D STEP VEHICLE MODEL		
	EMAIL TO <a href="mailto:Jamie.Ditsworth@aebi-schmidt.com">Jamie.Ditsworth@aebi-schmidt.com</a>		
<b>Fifth Wheel</b>			
578-998	NO FIFTH WHEEL		
<b>Fuel Tanks</b>			
204-154	80 GALLON/302 LITER ALUMINUM FUEL TANK - LH	10	
218-006	25 INCH DIAMETER FUEL TANK(S)		
215-007	PLAIN ALUMINUM/PAINTED STEEL FUEL/HYDRAULIC TANK(S) WITH POLISHED STAINLESS STEEL BANDS		
212-007	FUEL TANK(S) FORWARD		
664-001	PLAIN STEP FINISH		
N 205-001	FUEL TANK CAP(S)		
122-998	NO FUELWATER SEPARATOR		
216-020	EQUIFLO INBOARD FUEL SYSTEM		
202-016	HIGH TEMPERATURE REINFORCED NYLON FUEL LINE		
<b>Tires</b>			
* 093-2GV	CONTINENTAL HTC1 425/65R22.5 20 PLY RADIAL FRONT TIRES	196	



Prepared for:  
Rick Ney  
SHEBOYGAN CITY OF  
828 CENTER AVE  
  
SHEBOYGAN, WI 53081  
Phone: 9204593440

Prepared by:  
Tony Bodway  
TRUCK COUNTRY OF  
WISCONSIN, IN  
2222 WEST RYAN ROAD  
OAK CREEK, WI 53154  
Phone: 414-761-3384

Data Code	Description	Weight Front	Weight Rear
094-12V	CONTINENTAL HDR2+ 11R22.5 16 PLY RADIAL REAR TIRES		184
* 095-16M	CONTINENTAL HSR3 11R22.5 14 PLY RADIAL PUSHER/TAG TIRES		24
<b>Hubs</b>			
418-060	CONMET PRESET PLUS PREMIUM IRON FRONT HUBS		
450-060	CONMET PRESET PLUS PREMIUM IRON REAR HUBS		
449-060	CONMET PRESET PLUS PREMIUM IRON PUSHER/TAG HUBS		
<b>Wheels</b>			
502-566	MAXION WHEELS 10035 22.5X12.25 10-HUB PILOT 4.75 INSET 5-HAND STEEL DISC FRONT WHEELS	102	
505-545	MAXION WHEELS 90260 22.5X8.25 10-HUB PILOT 2-HAND HD STEEL DISC REAR WHEELS		160
509-752	MAXION WHEELS 91541 22.5X8.25 10-HUB PILOT 6.20 INSET 2-HAND STEEL DISC PUSHER/TAG WHEELS		-16
496-011	FRONT WHEEL MOUNTING NUTS		
497-011	REAR WHEEL MOUNTING NUTS		
495-011	PUSHER/TAG WHEEL MTG NUTS		
498-011	NYLON WHEEL GUARDS FRONT AND REAR ALL INTERFACES		
<b>Cab Exterior</b>			
829-1A2	114 INCH BBC FLAT ROOF ALUMINUM CONVENTIONAL CAB		
650-008	AIR CAB MOUNTING		
705-062	QUICK RELEASE FASTENERS FOR UNDER CAB COVER FOR BATTERY BOX ACCESS.		
648-002	NONREMOVABLE BUGSCREEN MOUNTED BEHIND GRILLE		
N 667-004	FRONT FENDERS SET-BACK AXLE		
754-002	3-1/2 INCH FENDER EXTENSIONS	15	
678-001	LH AND RH GRAB HANDLES		
646-041	STATIONARY BLACK GRILLE		
65X-004	BLACK HOOD MOUNTED AIR INTAKE GRILLE		
644-004	FIBERGLASS HOOD		
652-001	FREIGHTLINER NAME PLATES		



Prepared for:  
Rick Ney  
SHEBOYGAN CITY OF  
828 CENTER AVE

SHEBOYGAN, WI 53081  
Phone: 9204593440

Prepared by:  
Tony Bodway  
TRUCK COUNTRY OF  
WISCONSIN, IN  
2222 WEST RYAN ROAD  
OAK CREEK, WI 53154  
Phone: 414-761-3384

Data Code	Description	Weight Front	Weight Rear
690-016	CAB FLOOR, TOE BOARD AND FIREWALL HEAT SHIELD	5	
727-1AJ	DUAL 14 INCH ROUND POLISHED AIR HORNS	4	
726-002	DUAL ELECTRIC HORNS		
728-002	DUAL HORN SHIELDS		
575-001	REAR LICENSE PLATE MOUNT END OF FRAME		
312-068	HALOGEN COMPOSITE HEADLAMPS WITH BLACK BEZELS		
302-047	LED AERODYNAMIC MARKER LIGHTS		
314-824	WIRING AND SWITCH FOR CUSTOMER FURNISHED SNOW PLOW LAMPS WITH DUAL CONNECTIONS AT BUMPER		
311-001	DAYTIME RUNNING LIGHTS		
294-1AY	INTEGRAL LED STOP/TAIL/BACKUP LIGHTS		
300-015	STANDARD FRONT TURN SIGNAL LAMPS		
318-1F6	(1) FLUSH LED UTILITY LIGHT MOUNTED LH BACK OF CAB/SLEEPER	3	
744-1BK	DUAL WEST COAST MOLDED-IN COLOR HEATED MIRRORS WITH LH AND RH REMOTE		
797-001	DOOR MOUNTED MIRRORS		
796-001	102 INCH EQUIPMENT WIDTH		
743-1AP	LH AND RH 8 INCH MOLDED-IN COLOR CONVEX MIRRORS MOUNTED UNDER PRIMARY MIRRORS		
74B-1B4	RH AND LH 8 INCH HEATED STAINLESS STEEL FENDER MOUNTED CONVEX MIRRORS WITH TRIPOD BRACKETS	12	
729-001	STANDARD SIDE/REAR REFLECTORS		
677-054	RH AFTERTREATMENT SYSTEM CAB ACCESS WITH PLAIN DIAMOND PLATE COVER		
768-043	63X14 INCH TINTED REAR WINDOW		
661-003	TINTED DOOR GLASS LH AND RH WITH TINTED NON-OPERATING WING WINDOWS		
654-011	RH AND LH ELECTRIC POWERED WINDOWS		
769-002	LOWER RH DOOR WINDOW WITH FRESNEL LENS	7	
663-029	1-PIECE BONDED HEATED WIPER PARK SOLAR GREEN GLASS WINDSHIELD		
659-006	8 LITER (2 GAL) WINDSHIELD WASHER RESERVOIR, CAB MOUNTED, WITH FLUID LEVEL INDICATOR		

**Cab Interior**



Prepared for:  
Rick Ney  
SHEBOYGAN CITY OF  
828 CENTER AVE

SHEBOYGAN, WI 53081  
Phone: 9204593440

Prepared by:  
Tony Bodway  
TRUCK COUNTRY OF  
WISCONSIN, IN  
2222 WEST RYAN ROAD  
OAK CREEK, WI 53154  
Phone: 414-761-3384

Data Code	Description	Weight Front	Weight Rear
055-019	RUGGED TRIM PACKAGE		
707-107	GRAY & CARBON VINYL INTERIOR "RUGGED"		
70K-020	CARBON WITH PREMIUM GUNMETAL ACCENT (RUGGED)		
706-013	MOLDED PLASTIC DOOR PANEL		
708-013	MOLDED PLASTIC DOOR PANEL		
772-006	BLACK MATS WITH SINGLE INSULATION		
785-026	(1)DASH MOUNTED 12V POWER OUTLET, (1)DASH MOUNTED DUAL USB-C OUTLET		
691-001	FORWARD ROOF MOUNTED CONSOLE		
696-012	CENTER STORAGE CONSOLE MOUNTED ON BACKWALL	20	
693-036	LH DOOR STORAGE POCKET		
738-021	DIGITAL ALARM CLOCK IN DRIVER DISPLAY		
742-007	(2) CUP HOLDERS LH AND RH DASH		
680-029	M2/SD DASH		
700-002	HEATER, DEFROSTER AND AIR CONDITIONER		
701-008	STANDARD HVAC DUCTING WITH SNOW SHIELD FOR FRESH AIR INTAKE		
703-005	MAIN HVAC CONTROLS WITH RECIRCULATION SWITCH		
170-015	STANDARD HEATER PLUMBING		
130-041	VALEO HEAVY DUTY A/C REFRIGERANT COMPRESSOR		
702-002	BINARY CONTROL, R-134A		
739-034	PREMIUM INSULATION		
285-013	SOLID-STATE CIRCUIT PROTECTION AND FUSES		
280-007	12V NEGATIVE GROUND ELECTRICAL SYSTEM		
324-1B3	STANDARD LED CAB LIGHTING		
787-998	NO SECURITY DEVICE		
657-001	DOOR LOCKS AND IGNITION SWITCH KEYED THE SAME		
78G-004	KEY QUANTITY OF 4		
655-005	LH AND RH ELECTRIC DOOR LOCKS		
740-998	NO MATTRESS	-20	-15
756-339	PREMIUM ISRINGHAUSEN HIGH BACK AIR SUSPENSION DRIVERS SEAT WITH 2 AIR LUMBAR, INTEGRATED CUSHION EXTENSION, TILT AND ADJUSTABLE SHOCK	70	





Prepared for:  
Rick Ney  
SHEBOYGAN CITY OF  
828 CENTER AVE

SHEBOYGAN, WI 53081  
Phone: 9204593440

Prepared by:  
Tony Bodway  
TRUCK COUNTRY OF  
WISCONSIN, IN  
2222 WEST RYAN ROAD  
OAK CREEK, WI 53154  
Phone: 414-761-3384

Data Code	Description	Weight Front	Weight Rear
760-335	BASIC ISRI HIGH BACK NON SUSPENSION PASSENGER SEAT		
759-007	DUAL DRIVER SEAT ARMRESTS, NO PASSENGER SEAT ARMRESTS	4	
711-004	LH AND RH INTEGRAL DOOR PANEL ARMRESTS		
758-014	BLACK CORDURA PLUS CLOTH DRIVER SEAT COVER		
761-014	BLACK CORDURA PLUS CLOTH PASSENGER SEAT COVER		
763-102	HIGH VISIBILITY ORANGE SEAT BELTS		
532-002	ADJUSTABLE TILT AND TELESCOPING STEERING COLUMN		
540-044	4-SPOKE 18 INCH (450MM) BLACK STEERING WHEEL WITH SWITCHES		
765-002	DRIVER AND PASSENGER INTERIOR SUN VISORS		

**Instruments & Controls**

* 4CH-004	4 EXTRA PROGRAMMABLE SWITCHES/INDICATORS \$C1B0206ZZ,C1C0230ZZ,C1D0232ZZ,C1E0205ZZ		
106-002	ELECTRONIC ACCELERATOR CONTROL		
732-998	NO INSTRUMENT PANEL-DRIVER		
734-022	FULLY CONFIGURABLE CENTER INSTRUMENT PANELS		
870-002	BRIGHT ARGENT FINISH GAUGE BEZELS		
486-001	LOW AIR PRESSURE INDICATOR LIGHT AND AUDIBLE ALARM		
840-001	DUAL NEEDLE PRIMARY AND SECONDARY AIR PRESSURE GAUGE		
198-025	INTAKE MOUNTED AIR RESTRICTION INDICATOR WITHOUT GRADUATIONS		
149-015	ELECTRONIC CRUISE CONTROL WITH CONTROLS ON STEERING WHEEL SPOKES		
156-007	KEY OPERATED IGNITION SWITCH AND INTEGRAL START POSITION; 4 POSITION OFF/RUN/START/ACCESSORY		
811-044	PREMIUM INSTRUMENT CLUSTER WITH 5.0 INCH TFT COLOR DISPLAY		
81B-003	DIGITAL PANEL LAMP DIMMER SWITCH IN DRIVER DISPLAY		
160-038	HEAVY DUTY ONBOARD DIAGNOSTICS INTERFACE CONNECTOR LOCATED BELOW LH DASH		



Prepared for:  
Rick Ney  
SHEBOYGAN CITY OF  
828 CENTER AVE

SHEBOYGAN, WI 53081  
Phone: 9204593440

Prepared by:  
Tony Bodway  
TRUCK COUNTRY OF  
WISCONSIN, IN  
2222 WEST RYAN ROAD  
OAK CREEK, WI 53154  
Phone: 414-761-3384

Data Code	Description	Weight Front	Weight Rear
844-001	2 INCH ELECTRIC FUEL GAUGE		
845-011	FUEL FILTER RESTRICTION INDICATOR		
148-072	ENGINE REMOTE INTERFACE WITH ONE OR MORE SET SPEEDS		
48H-001	QUICKFIT POWERTRAIN INTERFACE CONNECTOR LOCATED BETWEEN SEATS WITH CAPS		
48C-002	QUICKFIT PROGRAMMABLE INTERFACE CONNECTOR(S) BETWEEN SEATS WITH BLUNTCUTS		
163-014	ENGINE REMOTE INTERFACE CONNECTOR AT POWERTRAIN INTERFACE CONNECTOR		
856-001	ELECTRICAL ENGINE COOLANT TEMPERATURE GAUGE		
854-008	DIGITAL ENGINE OIL TEMPERATURE IN DRIVER DISPLAY		
852-002	ELECTRIC ENGINE OIL PRESSURE GAUGE		
864-001	2 INCH TRANSMISSION OIL TEMPERATURE GAUGE		
867-004	ELECTRONIC OUTSIDE TEMPERATURE SENSOR DISPLAY IN DRIVER MESSAGE CENTER		
830-017	ENGINE AND TRIP HOUR METERS INTEGRAL WITHIN DRIVER DISPLAY		
372-123	PTO CONTROLS FOR ENHANCED VEHICLE ELECTRIC/ELECTRONIC ARCHITECTURE		
736-998	NO OBSTACLE DETECTION SYSTEM		
72J-998	NO DR ASSIST SYSTEM		
49B-998	NO VEHICLE STABILITY ADVISOR OR CONTROL		
73B-998	NO LANE DEPARTURE WARNING SYSTEM		
72K-998	NO REVERSE PROXIMITY SENSOR		
679-998	NO OVERHEAD INSTRUMENT PANEL		
35M-011	1 QUIKFIT PROGRAMABLE MODULE (QPM/XMC) W/ (4) 20AMP FUSED RELAYS	10	
1U1-002	TOP OF DASH RAM MOUNT WITHOUT POWER OR GROUND, FOR CUSTOMER FURNISHED DEVICE		
746-143	7" B-PANEL INTERACTIVE TOUCHSCREEN DISPLAY W/ USB-C, APPLE CARPLAY, ANDROID AUTO, BLUETOOTH/AM/FM/SXM/WB, MICROPHONE		
747-001	DASH MOUNTED RADIO		
750-002	(2) RADIO SPEAKERS IN CAB		
753-998	NO AM/FM RADIO ANTENNA		



Prepared for:  
 Rick Ney  
 SHEBOYGAN CITY OF  
 828 CENTER AVE  
  
 SHEBOYGAN, WI 53081  
 Phone: 9204593440

Prepared by:  
 Tony Bodway  
 TRUCK COUNTRY OF  
 WISCONSIN, IN  
 2222 WEST RYAN ROAD  
 OAK CREEK, WI 53154  
 Phone: 414-761-3384

Data Code	Description	Weight Front	Weight Rear
748-006	POWER AND GROUND WIRING PROVISION OVERHEAD		
749-001	ROOF/OVERHEAD CONSOLE CB RADIO PROVISION		
75W-002	SHARKFIN MULTI-BAND ANTENNA: AM/FM/WEATHERBAND, WIFI/BLUETOOTH, SDAR/SIRIUSXM, GNSS/GPS		
78C-003	INTEROPERABLE SDAR ANTENNA		
810-027	ELECTRONIC MPH SPEEDOMETER WITH SECONDARY KPH SCALE, WITHOUT ODOMETER		
817-001	STANDARD VEHICLE SPEED SENSOR		
812-001	ELECTRONIC 3000 RPM TACHOMETER		
813-1C8	DETROIT CONNECT PLATFORM HARDWARE CTP3		
8D1-213	3 YEARS DETROIT CONNECT BASE PACKAGE(FEATURES VARY BY MODEL) DETROIT CONNECT PLATFORM		
8DE-998	NO ASE DATA SVCE EXTENSION		
6TS-005	TMC RP1226 ACCESSORY CONNECTOR LOCATED BEHIND PASSENGER SIDE REMOVEABLE DASH PANEL		
162-002	IGNITION SWITCH CONTROLLED ENGINE STOP		
4C1-998	NO HARDWIRE SWITCH #1		
4C2-998	NO HARDWIRE SWITCH #2		
4C3-998	NO HARDWIRE SWITCH #3		
81Y-006	PRE-TRIP INSPECTION FEATURE FOR EXTERIOR LAMPS AND SERVICE BRAKES		
264-030	(1) OVERHEAD MOUNTED LANYARD CONTROL FOR DRIVER AIR HORN		
482-001	BW TRACTOR PROTECTION VALVE		
883-001	TRAILER HAND CONTROL BRAKE VALVE		
836-015	DIGITAL VOLTAGE DISPLAY INTEGRAL WITH DRIVER DISPLAY		
660-001	SINGLE ELECTRIC WINDSHIELD WIPER MOTOR WITH DELAY AND ARCTIC TYPE BLADES		
304-030	ROTARY HEADLAMP SWITCH, MARKER LIGHTS/HEADLIGHTS SWITCH WITH PULL OUT FOR OPTIONAL FOG/ROAD LAMPS		
882-021	TWO VALVE PARKING BRAKE SYSTEM WITH DASH VALVE CONTROL AUTONEUTRAL AND WARNING INDICATOR		



Prepared for:  
 Rick Ney  
 SHEBOYGAN CITY OF  
 828 CENTER AVE  
  
 SHEBOYGAN, WI 53081  
 Phone: 9204593440

Prepared by:  
 Tony Bodway  
 TRUCK COUNTRY OF  
 WISCONSIN, IN  
 2222 WEST RYAN ROAD  
 OAK CREEK, WI 53154  
 Phone: 414-761-3384

Data Code	Description	Weight Front	Weight Rear
299-020	SELF CANCELING TURN SIGNAL SWITCH WITH DIMMER, HEADLAMP FLASH, WASH/WIPE/INTERMITTENT		
298-046	INTEGRAL ELECTRONIC TURN SIGNAL FLASHER WITH 40 AMP (20 AMP PER SIDE) TRAILER LAMP CAPACITY		
87T-998	NO WRG/SW-OPTL #2, CHAS, AIR		

**Design**

065-000 PAINT: ONE SOLID COLOR

**Color**

980-5A0 CAB COLOR A: L0441EY BLUE ELITE EY  
 986-020 BLACK, HIGH SOLIDS POLYURETHANE CHASSIS PAINT  
 962-972 POWDER WHITE (N0006EA) FRONT WHEELS/RIMS (PKWHT21, TKWHT21, W, TW)  
 966-972 POWDER WHITE (N0006EA) REAR WHEELS/RIMS (PKWHT21, TKWHT21, W, TW)  
 96E-972 POWDER WHITE (N0006EA) PUSHER/TAG WHEELS/RIMS (PKWHT21, TKWHT21, W, TW)  
 964-020 STANDARD BLACK BUMPER PAINT  
 963-003 STANDARD E COAT/UNDERCOATING

**Certification / Compliance**

996-001 U.S. FMVSS CERTIFICATION, EXCEPT SALES CABS AND GLIDER KITS

**Sales Programs**

NO SALES PROGRAMS HAVE BEEN SELECTED

**TOTAL VEHICLE SUMMARY**

**Weight Summary**

	Weight Front	Weight Rear	Total Weight
Factory Weight <sup>+</sup>	10941 lbs	9728 lbs	20669 lbs
<b>Total Weight<sup>+</sup></b>	<b>10941 lbs</b>	<b>9728 lbs</b>	<b>20669 lbs</b>



Prepared for:  
Rick Ney  
SHEBOYGAN CITY OF  
828 CENTER AVE  
  
SHEBOYGAN, WI 53081  
Phone: 9204593440

Prepared by:  
Tony Bodway  
TRUCK COUNTRY OF  
WISCONSIN, IN  
2222 WEST RYAN ROAD  
OAK CREEK, WI 53154  
Phone: 414-761-3384

(+) Weights shown are estimates only.  
If weight is critical, contact Customer Application Engineering.

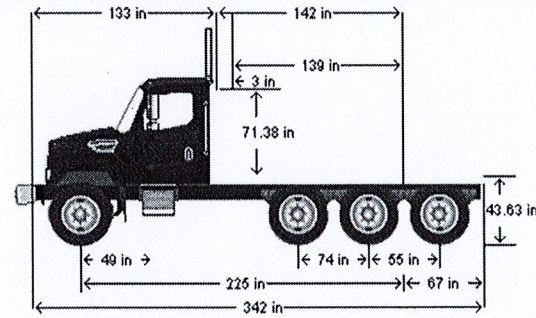
(\*\*\*) All cost increases for major components (Engines, Transmissions, Axles, Front and Rear Tires) and government mandated requirements, tariffs, and raw material surcharges will be passed through and added to factory invoices.



Prepared for:  
 Rick Ney  
 SHEBOYGAN CITY OF  
 828 CENTER AVE  
 SHEBOYGAN, WI 53081  
 Phone: 9204593440

Prepared by:  
 Tony Bodway  
 TRUCK COUNTRY OF  
 WISCONSIN, IN  
 2222 WEST RYAN ROAD  
 OAK CREEK, WI 53154  
 Phone: 414-761-3384

**D I M E N S I O N S**



**VEHICLE SPECIFICATIONS SUMMARY - DIMENSIONS**

Model.....	114SD
Wheelbase (545) .....	5725MM (225 INCH) WHEELBASE
Rear Frame Overhang (552).....	1700MM (67 INCH) REAR FRAME OVERHANG
Fifth Wheel (578) .....	NO FIFTH WHEEL
Mounting Location (577).....	NO FIFTH WHEEL LOCATION
Maximum Forward Position (in).....	0
Maximum Rearward Position (in) .....	0
Amount of Slide Travel (in).....	0
Slide Increment (in).....	0
Desired Slide Position (in) .....	0.0
Cab Size (829).....	114 INCH BBC FLAT ROOF ALUMINUM CONVENTIONAL CAB
Sleeper (682) .....	NO SLEEPER BOX/SLEEPER CAB
Exhaust System (016).....	RH OUTBOARD UNDER STEP MOUNTED HORIZONTAL AFTERTREATMENT SYSTEM ASSEMBLY WITH RH B-PILLAR MOUNTED VERTICAL TAILPIPE

**TABLE SUMMARY - DIMENSIONS**



Prepared for:  
 Rick Ney  
 SHEBOYGAN CITY OF  
 828 CENTER AVE

SHEBOYGAN, WI 53081  
 Phone: 9204593440

Prepared by:  
 Tony Bodway  
 TRUCK COUNTRY OF  
 WISCONSIN, IN  
 2222 WEST RYAN ROAD  
 OAK CREEK, WI 53154  
 Phone: 414-761-3384

Dimensions	Inches
Bumper to Back of Cab (BBC)	132.9
Bumper to Centerline of Front Axle (BA)	49.4
Front Axle to Back of Cab (AC)	83.5
Min. Cab to Body Clearance (CB)	3.0
Back of Cab to Centerline of Rear Axle(s) (CA)	141.9
Effective Back of Cab to Centerline of Rear Axle(s) (Effective CA)	138.9
Back of Cab Protrusions (Exhaust/Intake) (CP)	2.0
Back of Cab Protrusions (Side Extenders/Trim Tab) (CP)	0.0
Back of Cab Protrusions (CNG Tank)	0.0
Back of Cab Clearance (CL)	3.0
Back of Cab to End of Frame	208.8
Cab Height (CH)	71.4
Wheelbase (WB)	225.4
Frame Overhang (OH)	66.9
Overall Frame Length	344.0
Overall Length (OAL)	341.7
Rear Axle Spacing	55.0
Pusher/Tag Axle Spacing	74.0
Unladen Frame Height at Centerline of Rear Axle	43.6

Performance calculations are estimates only. If performance calculations are critical, please contact Customer Application Engineering.



Prepared for:  
 Rick Ney  
 SHEBOYGAN CITY OF  
 828 CENTER AVE

SHEBOYGAN, WI 53081  
 Phone: 9204593440

Prepared by:  
 Tony Bodway  
 TRUCK COUNTRY OF  
 WISCONSIN, IN  
 2222 WEST RYAN ROAD  
 OAK CREEK, WI 53154  
 Phone: 414-761-3384

**F R A M E R B M**

**VEHICLE SPECIFICATIONS SUMMARY - FRAME RBM**

Wheelbase (545) ..... 5725MM (225 INCH) WHEELBASE  
 Frame Rails (546) ..... 1/2X3.64X11-7/8 INCH STEEL FRAME (12.7MMX301.6MM/0.5X11.88 INCH) 120KSI(546)  
 Yield Strength (psi)..... 120000  
 Section Modulus (per rail) (cu in).....26.26  
 RBM (per rail) (lbf-in)..... 3204000  
 Inner Frame Reinforcement (547) .....PARTIAL INNER FRAME REINFORCEMENT AT FRONT SUSPENSION  
 Outer Frame Reinforcement (548) ..... TEM TO EVALUATE AND INSTALL FRAME RAIL REINFORCEMENT AS NEEDED FOR FRONT FRAME MOUNTED EQUIPMENT

**TABLE SUMMARY - FRAME RBM**

Item	Description / Value
Wheelbase	5725MM (225 INCH) WHEELBASE
Frame	1/2X3.64X11-7/8 INCH STEEL FRAME (12.7MMX301.6MM/0.5X11.88 INCH) 120KSI
Inner Frame Reinforcement	PARTIAL INNER FRAME REINFORCEMENT AT FRONT SUSPENSION
Outer Frame Reinforcement	TEM TO EVALUATE AND INSTALL FRAME RAIL REINFORCEMENT AS NEEDED FOR FRONT
Yield Strength (psi)	120000
Section Modulus - per rail (cu. in.)	26.70
Frame RBM - per rail (lbf-in)	3204000

Performance calculations are estimates only. If performance calculations are critical, please contact Customer Application Engineering.



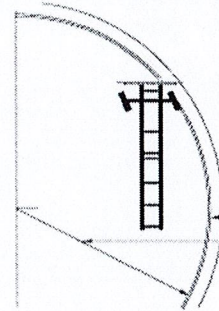


Prepared for:  
 Rick Ney  
 SHEBOYGAN CITY OF  
 828 CENTER AVE

SHEBOYGAN, WI 53081  
 Phone: 9204593440

Prepared by:  
 Tony Bodway  
 TRUCK COUNTRY OF  
 WISCONSIN, IN  
 2222 WEST RYAN ROAD  
 OAK CREEK, WI 53154  
 Phone: 414-761-3384

## TURNING RADIUS



Turning radius graphic and data provided strictly for comparisons between model configurations. Weather, road surfaces, and tire treads affect the results. It is strongly suggested that actual vehicles be measured before constructing any roads/driveways using this information. For specific figures regarding your configuration, please contact your CAE representative.

	Dimensions	Tolerance
Wall to Wall Diameter (ft)	79.7	+/- 3.0
Curb to Curb Diameter (ft)	73.2	+/- 3.0
Turning Radius (ft)	35.8	+/- 1.5

### VEHICLE SPECIFICATIONS SUMMARY - TURNING RADIUS

Model.....114SD  
 Cab Size (829).....114 INCH BBC FLAT ROOF ALUMINUM CONVENTIONAL CAB  
 Wheelbase (545).....5725MM (225 INCH) WHEELBASE  
 Front Tires (093).....MICHELIN XZY-3 425/65R22.5 20 PLY RADIAL FRONT TIRES  
 Width (in).....17.7  
 Front Axle (400).....MERITOR MFS-20-133A 20,000# FL1 71.0 INCH KPI/3.74 INCH DROP SINGLE FRONT AXLE  
 Kingpin Intersection (in).....71  
 Bumper (556).....14 INCH PAINTED STEEL BUMPER  
 Width (in).....97.6  
 Bumper Miter to Front Axle (in).....73.394  
 Primary Steering Location (003).....LH PRIMARY STEERING LOCATION  
 Steering Gear (536).....TRW THP-60 POWER STEERING WITH RCH45 AUXILIARY GEAR  
 Dual Steering Gear.....RCH45  
 Ram.....NONE  
 Rear Axle (420).....MERITOR RT-46-160P 46,000# R-SERIES TANDEM REAR AXLE WITH PUMP  
 Axle Spacing (624).....55 INCH AXLE SPACING

Performance calculations are estimates only. If performance calculations are critical, please contact Customer Application Engineering.





1151 W Main Avenue  
 DePere, WI 54115  
 Sales Rep: Troy Redfearn  
 Ph: (920) 360-4446  
 www.MonroeTruck.com

**J.O. #**  
 Quotation ID: 2MAW003880  
 Date: 6/27/2024  
 Valid thru: 7/27/2024  
 Terms: NET 30  
 Quoted by: Mark Woelfel  
 Ph/Fax: 920-347-4181 / 920-336-8118

**Quoted to:**

SHEBOYGAN, CITY OF (ATTN: )  
 828 CENTER AVE ATTN: PURCHASNG  
 SHEBOYGAN, WI 53081-4497  
 Ph: 920-459-0246 / Fax: 920-459-3967  
 Email:

**Chassis Information**

<b>Year:</b> 2025	<b>Make:</b> FREIGHTLINER	<b>Model:</b> 114 SD	<b>Chassis Color:</b>	<b>Cab Type:</b> REGULAR
<b>Single/Dual:</b> DRW	<b>CA:</b>	<b>CT:</b> 149.0	<b>Wheelbase:</b> 232.0	<b>Engine:</b> DIESEL
			<b>F.O. Number #:</b>	<b>Vin:</b>

**Notes:**

Monroe Truck Equipment, Inc. is pleased to offer the following quote for your review:

Description	Amount
CRYSTEEL DUMP BODY PACKAGE - 180" x 87" ID x 99" OD - 1/2 x 78" CABSHIELD, 100% WELDED - 64" STRAIGHT FRONT MADE OF 3/16 AR450 STEEL - 64" TAPERED SINGLE PANEL SIDES MADE OF 3/16 AR450 STEEL - TOP RAIL AND SIDE RUBRAIL MADE OF STAINLESS STEEL - 54" SLOPED ASPHALT REAR MADE OF 3/16 AR450 STEEL - TAILGATE PERIMETER MADE OF STAINLESS STEEL - TAILGATE HARDWARE UNDER FLOOR MADE OF STAINLESS STEEL - 8 WESTERN TUBULAR FRAME MADE OF 1/4" STAINLESS STEEL - 1/4" AR450 STEEL FLOOR - HYDRAULIC HIGH LIFT TAILGATE - AIR TAILGATE RELEASE - RIGID LADDER LEFT FRONT AND REAR - STAINLESS STEEL REAR PILLAR AND REAR RUBRAIL - 3 OVAL CUT-OUTS IN REAR PILLAR - QUICK RELEASE SNAP STYLE RUBBER MUDFLAPS - SHOVEL HOLDER - BLASTED, PRIMED, PAINTED ONE COLOR, NON-METALLIC - UNDERCOAT UNDERSIDE OF BODY - AERO 550 ASPHALT ELECTRIC TARP SYSTEM - ALUM TARP HOUSING - ALUM ARMS W/ TENSION BOW - VIBRATOR INSTALLED - MERCURY SWITCH TO LIMIT BODY UP - FABRIACTED ASPHALT BAFFLES  M63138 TELESCOPIC HOIST - DOUBLE ACTING - BODY PROPS - COMPOSITE REMOVABLE PIN HINGE  TRUCK PORTION - FLAT-FOLD LIFT ARM HITCH W/ INTEGRAL QCP RECEIVER - 4X10 DA PLOW LIFT CYLINDER  MONROE TORSION TRIP EDGE "J" STYLE REVERSIBLE PLOW - 39" HIGH X 12' LENGTH - 10 GAUGE STEEL MOLDBOARD - (10) 1/2" ONE-PIECE FLAME CUT RIBS - 2" X 3" X 3/8" TOP ANGLE - 4" X 4" X 3/4" BOTTOM ANGLE - (6) ADJUSTABLE 3/4" TORSION TRIP SPRING ASSEMBLIES FOR A TWO-SECTION TRIP - TWO-PIECE CUTTING EDGE - 4" X 4" X 3/8" CROSS-TUBE SUPPORT - 3-1/2" X 3-1/2" X 1/2" SEMI-CIRCLE	



**Description****Amount**

- (2) 3" X 10" DOUBLE ACTING REVERSE CYLINDERS WITH CUSHION VALVE
- BUILT-IN MONROE LEVEL LIFT ASSEMBLY
- MOLDBOARD AND PUSHFRAME TO BE 100% CONTINUOUSLY WELDED
- MOLDBOARD POWDER COATED ORANGE
- PUSH FRAME POWDER COATED BLACK
- \* PARKING JACK
- RUBBER SNOW DEFLECTOR
- PLOW PORTION HITCH, LOOP

**9' MONROE, DOUBLE FUNCTION, STRAIGHT, TRIP-EDGE PATROL WING (RIGHT SIDE)**

- 35" HIGH INBOARD & OUTBOARD, 3/16" THICK MOLDBOARD
- FRONT RH PARA-GLIDE POST
- 4X14 DA FRONT HEEL LIFT CYLINDER
- 4" X 4" X 3/4", A36 STEEL, BOTTOM ANGLE W/ 1" THICK WELDED TRIP HINGE BLOCKS
- TOP OF BOTTOM ANGLE BOXED TO THE MOLDBOARD W/ 3/4" PLATE FOR ADDITIONAL STRENGTH
- 1/2" THICK ONE-PIECE VERTICAL & INTERLACED DESIGNED HORIZONTAL RIBS
- STANDARD 100% WELDED
- TRIP SECTION ANGLE ASSEMBLY: 3/4" X 3" X 4", A36 STEEL W/ 3/8" THICK TRIP HINGE BLOCKS
- 5/8 x 8 TOP PUNCH CUTTING EDGE KIT
- ANGLES PIVOT ON 1-1/4" COLD ROLLED, 1040 STEEL HELD IN PLACE BY 1/2" X 2" EXPANSION PINS
- (6) 3/4" SQUARE WIRE TORSION SPRINGS W/ 3-3/4" OUTSIDE DIAMETER & 11" COILS
- SHOT BLASTED & POWDER COATED ORANGE
- POWDER COATED BLACK HARDWARE
- HYD PUSHARM, 4X28 D/A CYLINDER
- \* MARKER ON WING TOE AND HEEL
- \* WING SIDE FRONT AXLE AIR BAG

**MONROE V-BOX SPREADER 14' LONG X 56" TALL X 84" WIDE**

- 201 STAINLESS STEEL CONSTRUCTION
- 10 GAUGE HOPPER
- 7 GAUGE FORMED LONG-SILLS SLOTTED FOR DRIVE AND IDLER SHAFT REMOVAL
- 2 DRIVE & IDLER SHAFTS
- 45 DEGREE SLOPED SIDES
- \* DUAL AUGER
- 4-CORNER LIFT SYSTEM
- 50:1 GEAR BOX
- HYD INTERLOCK FOR TOP GRATES
- STAINLESS STEEL SKID W/ FRONT AND REAR LEGS
- GREASE EXTENSION KIT
- RUBBER SIDE FLAPS
- TWIN 650 GAL LIQUID TANKS
- SINGLE LANE CLOSED LOOP ANTI-ICE SPRAY BAR
- RUBBER FLAPS FORWARD AND BEHIND SPRAY BAR
- GRAVITY PRE-WET W/ SPRAY NOZZLES IN AUGER CHUTE
- STAINLESS STEEL TIP-UP SPINNER ASSY

**ELECTRIC HYDRAULICS PACKAGE**

- HOT SHIFT PTO W/ EXT SHAFT
- TXV92 PUMP
- HP FILTER
- STAINLESS STEEL BEHIND CAB VALVE ENCLOSURE AND 40 GA OIL TANK
- ADD-A-FOLD ELECTRIC VALVE SECTIONS
  - D/A HOIST, D/A PLOW, D/A PLOW ANGLE, D/A WING TOE/HEEL W/ SEQUENCE VALVE, D/A HYD PUSHARM, REVERSING AUGER, S/A HIGH LIFT TAILGATE, ANTI-ICE, SPINNER
- FORCE ULTRA 3-STICK SSC6100 GROUND BASED SPREADER CONTROL
- CLOSED LOOP AUGER AND ANTI-ICE
- GRAVITY PRE-WET
- STAINLESS STEEL LINES, PLOW, WING, AUGER/SPINNER/ANTI-ICE
- STAINLESS STEEL COUPLERS, PLOW ANGLE, HYD INTERLOCK, HYD PUSHARM, AUGER/SPINNER/ANTI-ICE

**LIGHTING:**

- LED S/T/T LIGHTS MOUNTED IN S/S LIGHTBOX ON V-BOX LEG
- ALUM ROOF BAR
- (2) LED AMBER/GREEN LIGHTBAR MOUNTED ON ALUM ROOF BAR
- (2) LED AMBER/GREEN STROBES IN REAR POST
- CLEAR WORK LIGHT
- AMBER WORK LIGHT



Description

Amount

Sourcewell Contract # 062222-AEB-1

Quote Total: \$241,275.00

**\*\* DUE TO CURRENT MARKET CONDITIONS, IF THE CHASSIS WILL NOT BE ON-GROUND AT MONROE TRUCK EQUIPMENT WITHIN 240 CALENDAR DAYS OF ORDER DATE, WE WILL REQUIRE A MINIMUM 50% DOWN PAYMENT BEFORE THE 210<sup>TH</sup> DAY. IF YOU ARE NOT ABLE TO PROVIDE A DOWN PAYMENT, YOUR MUNICIPALITY COULD BE SUBJECT TO A MINIMUM OF 3% - 5% PRICE INCREASE ON BID PRICE AT TIME OF INVOICE!**

Down Payment Due Date: \_\_\_\_\_

Additional Options:

Description	Amount	Add to quote? Yes / No
REUSE EXISTING V-BOX	DEDUCT: \$72,874.00	Yes / <b>No</b>
ADD LEFT HAND WING - INCLUDES ALL HYDRAULIC RELATED ITEMS NEEDED - INCLUDES ALL LIGHTING RELATED ITEMS NEEDED	ADD: \$26,969.00	<b>Yes</b> / No
UPGRADE PLOW TO POLY	ADD: \$3,406.00	Yes / <b>No</b>
UPGRADE WING TO POLY	ADD: \$1,336.00	Yes / <b>No</b>

Terms & Conditions

- Terms are Due Upon Receipt unless prior credit arrangements are made at the time of order.
- Please note if chassis is furnished, it is as a convenience and terms are Net Due on Receipt of Chassis.
- State and Federal taxes will be added where applicable. Out-of-state municipal entities may be subject to Wisconsin sales tax.
- Restocking fees may be applicable for cancelled orders.
- MTE is not responsible or liable for equipment that does not meet local/state regulations if those laws are not made known at time of order.

By signing and accepting this quote, the customer agrees to the terms listed above and has confirmed that all chassis information listed above is accurate to chassis specs.

Re-Assign (Required for all pool units): <input type="checkbox"/> Fleet <input type="checkbox"/> Retail	MCO/MCO (ONLY check if legally required): <input type="checkbox"/> MCO <input type="checkbox"/> MSO
Customer Signature:	Customer P.O. Number: <span style="float: right;">Date of Acceptance:</span>

241,275.00 PER TRUCK  
26969.00 ADD (1) LEFT WING

TRUCK (1) 241,275.00  
(1) 268,244.00

**General Terms and Conditions for the Sale of Goods by  
Subsidiaries of ASH North America, Inc.**

**1. SCOPE AND VALIDITY**

1.1. These General Terms and Conditions for the Sale of Goods (these "Terms") govern the sale and delivery of all goods and products (the "Products"), and all transactions incidental thereto, by such subsidiary of ASH North America, Inc. identified on the respective Con-firmed Order (as defined below) as the seller or supplier ("Seller") to any of its customers (each "Customer"). The liability of each such subsidiary under these Terms or any Confirmed Order shall be several and not joint. Customer acknowledges and agrees that nothing in these Terms or any Confirmed Order shall be construed as implying joint liability in any case of ASH North America, Inc. or any of its subsidiaries. Each Seller shall be solely responsible for its own acts or omissions under the respective agreement with Customer.

1.2. No other terms or conditions shall be of any force or effect unless otherwise specifically agreed upon by Seller in a writing duly executed by an authorized officer of Seller. These Terms supersede any and all prior oral quotations, communications, agreements, or under-standings of the parties in respect to the sale and delivery of the Products. The Seller may issue additional Terms and Conditions of Sale for certain products. These shall apply in addition to the present Terms. Any additional or different terms or conditions contained in Customer's Order (as defined below), response to Seller's confirmation, or any other form or document supplied by Customer are hereby expressly rejected and are rendered null, void, and of no effect. These Terms may not be modified, amended, waived, superseded, or rescinded, except by written agreement signed by an authorized officer of Seller. Delivery of the Products by Seller does not constitute acceptance of any of Customer's terms and conditions and do not serve to modify or amend these Terms.



1.3. The issuance of an Order (as defined below) by Customer to Seller or any communication or conduct of Customer which confirms an agreement for the delivery of Products by Seller, as well as acceptance in whole or in part by Customer of any delivery of Products by Seller, shall be construed as Customer's acceptance of these Terms.

## 2. OFFERS, ORDERS AND CONFIRMATION

2.1. Unless otherwise specified by Seller in writing, all offers made by Seller are not binding and may be revoked by Seller at any time without any liability to Customer.

2.2. Customer shall issue to Seller orders for the purchase of Products, in written form via the order process determined by Seller from time to time (each, an "Order"). By issuing an Order to Seller, Customer makes an offer to purchase the Products pursuant to these Terms and the terms set forth on such Order. Provided that the Order contains the same terms as in Seller's corresponding offer, the Order shall be binding on Customer for six (6) weeks after Seller's receipt of such Order.

2.3. Seller may refuse an Order for any or no reason. No Order is binding upon Seller until Seller's acceptance of the Order in writing, the issuance of any governmental permit, license, or authority to Seller, as may be required under applicable laws, rules and regulations, and the receipt by Seller of a resale license to be provided by Customer (a "Confirmed Order").

2.4. Specifications and other information on drawings, data sheets, pictures, plans, brochures, catalogs, or Seller's website shall not be binding on Seller unless such specifications and information have been agreed to in writing by Seller in a Confirmed Order. Notwithstanding a Confirmed Order, Seller shall have no obligation to deliver Products to Customer or otherwise fulfill any of its obligations set forth in a Con-firmed Order if Customer is in breach of any of its obligations hereunder or any Confirmed Order.

2.5. Customer may submit to Seller written requests to change the terms of a Confirmed Order (each such request, a "Change Order Re-quest"). Seller may, at its sole discretion, consider such Change Order Request, provided that Seller will have no obligation to perform any Change Order Request unless and until Seller has agreed in writing to adopt such Change Order Request. If Seller elects to consider such a Change Order Request, then Seller shall promptly notify Customer of any adjustment to the applicable purchase price for the Products.

2.6. In the event Customer cancels any Confirmed Order for any reason, Customer shall reimburse to Seller all of Seller's costs and expenses associated with or incurred due to such cancellation, including but not limited to the cost of raw materials, labor, and storage if cancellation occurs before Seller's commencement of production. In the event Customer cancels any Confirmed Order for any reason and Seller has started the production of the Product on the respective Con-firmed Order, Customer shall pay to Seller the full purchase price.

2.7. Each Confirmed Order shall be considered a separate agreement between the parties, and any failure to deliver the Products under any Confirmed Order shall have no consequences for other deliveries of Products.

## 3. PRICES

3.1. Unless otherwise agreed to by the parties in the applicable Confirmed Order, the prices of the Products shall be FCA (agreed de-livery location on the applicable Confirmed Order), Incoterms 2022.

3.2. Unless otherwise agreed by the parties in a Confirmed Order, the price of the Products shall not include transportation, insurance, packaging, and Tooling (as defined below) and other materials used for the manufacturing and delivery, sales or Heavy Vehicle Use Tax (HVUT), other use tax or any other similar applicable federal, state or foreign taxes, duties, levies, or charges in any jurisdiction in connection with the sale or delivery of the Products ("Taxes"), Such Taxes shall be payable by Customer, and if Seller is responsible for the collection thereof, such Taxes shall either be added to the price invoiced or be separately invoiced by Seller to Customer. Any special requests concerning shipping, transportation, and insurance shall be communicated to Seller in a timely manner and subject to Seller's prior written approval. Customer shall bear all costs resulting from such requests.

In case of lead delivery times of more than two (2) months, Customer hereby acknowledges and agrees that Seller, may, at its sole discretion, increase or decrease the agreed prices on any Confirmed Order in the event of material price changes in wages, materials, energy or raw material after the date of the Confirmed Order.

## 4. PAYMENT TERMS

4.1. Except as set forth in Section 4.2 or unless otherwise agreed in writing by Seller, the purchase price for the Products and all other amounts due under a Confirmed Order shall be due and payable in US dollars within thirty (30) days following the date of Seller's invoice for such Products without any discount, deduction or offset whatsoever. In no event shall any loss, damage, injury or destruction, Force Majeure (as defined below), or any other event beyond Customer's control re-lease Customer from its obligation to make the payments required herein. Payment of all amounts due hereunder shall be made by bank transfer or in any other manner set forth on Seller's invoice. Customer shall be solely responsible for any bank fees, or other fees, incurred due to the wire transfer or any other selected payment method. If Seller agrees to payment by credit card, Seller shall charge an appropriate transaction fee, which the Customer shall also pay.

4.2. In the event Seller becomes aware of circumstances or has rea-son to believe that there are circumstances that may have an adverse effect on Customer's financial condition, Seller may require the Customer to pay the total amount of the purchase price or fees, or a portion thereof prior to the delivery of the Products. Seller may, without any liability to Customer, refuse the delivery of any Product in the event the Customer fails to make the payment as required under this Section 4.2.

4.3. Time is of the essence for the payment of all amounts due to Seller under any Confirmed Order. If Customer fails to make payments of any amount when due, Customer shall pay interest to Seller at the rate of one percent (1%) per month or such lesser amount as may be permitted by applicable law starting from the due date until payment to Seller of such amount in full. In addition to the interest, Seller may, at its sole discretion, charge the Customer a flat fee of \$40 for each re-minder notice issued to Customer due to late payments. If Customer fails to comply with these Terms or a Confirmed Order, or if Customer becomes insolvent, all balances then due and owing to Seller shall be come due immediately, notwithstanding any payment terms agreed by the parties. All costs and expenses incurred by Seller with respect to the collection of overdue payments (including, without limitation, rea-sonable attorney's fees, expert fees, and other expenses of litigation) shall be borne by Customer. Every payment by Customer shall first be applied to pay for Seller's cost of collection, then interest owed by Customer, and then to the oldest outstanding claim.

4.4. Notwithstanding anything in the foregoing Section 4.3 or Section 5, if the parties agreed on installment payments in a Confirmed Order and Customer fails to make any installment payment when due, the remaining balance including accrued interest, and any expenses incurred by Seller shall be due and payable to Seller promptly upon Customer's receipt of written notice of delinquency from Seller.

## 5. SECURITY INTEREST

5.1. If Seller extends credit to Customer for the purchase price for any Products (including but not limited to pursuant to Section 4.1.), or any other amounts due to Seller, Customer hereby grants to Seller as security for the timely payment and performance of all Customer's payment obligations to Seller, a first priority security interest (the "Security Interest") in all Products heretofore or in the future delivered to Customer and in the proceeds thereof for as long as such Products shall not have been sold by Customer in the ordinary course of business (the "Collateral"). Seller shall be entitled to file any and all financing, continuation, or similar statements under the Uniform Commercial Code in any jurisdiction and take any and all other action necessary or desirable, in Seller's sole and absolute discretion, to perfect its Security Interest in the Collateral and to establish, continue, preserve, and protect Seller's Security Interest in the Collateral. Customer agrees to take any and all actions and provide Customer with all information necessary to enable Seller to perfect and enforce its Security Interest in all jurisdictions and vis-à-vis any of Customer's creditors, and hereby irrevocably grants to Seller a power of attorney to execute all necessary statements or documents in Customer's name for the perfection and enforcement of such Security Interest. The Security Interest shall remain in force until payment in full of the entire purchase price for such Products, and any other amounts due to Seller by Customer. Seller may, without notice, change or withdraw extensions of credit at any time.

## 6. OBLIGATIONS OF CUSTOMER

6.1. Customer shall use the Products solely for their intended purpose and pursuant to Seller's instructions, and agrees to use only qualified personnel for the handling of the Products. Customer shall ensure that its customers, employees, agents, and other representatives comply with this Section 6.1. and shall be responsible for their acts and omissions.

## 7. DELIVERY AND ACCEPTANCE

7.1. Unless otherwise agreed in writing by Seller, all deliveries of Products shall be made FCA (agreed delivery location) (Incoterms 2020) and title to and risk of loss for the Products shall pass to Customer upon delivery pursuant to this Section 7.1.

7.2. Any delivery and performance times or dates communicated by or on behalf of Seller are estimates and shall not be binding on Seller. Seller may make partial delivery of Products to be delivered under any Confirmed Order and invoice Customer separately for such partial deliveries or performance. If Customer has not received the Products after six (6) weeks from the estimated delivery date, Customer may make a written request to Seller for delivery. Customer hereby acknowledges and agrees that the actual delivery date of the Products is conditioned upon the complete, accurate and timely delivery of materials from Seller's vendors and suppliers. No delay in delivery of any Products shall relieve Customer of its obligation to accept the delivery or performance thereof and make payments of any amounts due in accordance with these Terms, including but not limited to delays caused governmental restrictions on exports or imports and similar measures.

7.3. Customer's failure to accept the delivery of Products pursuant to a Confirmed Order shall not release or excuse Customer from its obligation to timely pay all amounts due in connection with such Confirmed Order. The Products shall be deemed delivered at the time they have been made available to Customer. If Customer rejects or revokes acceptance of Products, or fails to pay any amounts when due, Seller, in its sole and absolute discretion, may extend the period of delivery of Products by such period as Seller may deem reasonable with such period not exceeding three (3) months from the agreed delivery date, or withhold or cancel delivery of any Products, or cancel any or all Confirmed Orders without any further obligations to Customer whatsoever.

In such event, Customer shall be responsible for any and all costs and expenses incurred, or damages or losses suffered by Seller in connection with any such delay notwithstanding any action or inaction by Seller with regard to such delay. Any remaining Products that have not been accepted by Customer within the extended delivery period determined by Seller will be delivered and invoiced by Seller to Customer and Customer agrees to accept such delivery and pay for the purchase price and other amounts payable for the delivered Products.

## 8. EXAMINATION AND CONFORMITY TO ORDER

8.1. Promptly upon receipt of any Products, Customer shall conduct a full and complete inspection of such Products as to any defects and to confirm compliance with all requirements of the applicable Confirmed Order. Customer shall notify Seller in writing of any packaging defects, apparent defects, or non-compliance of such Products with the applicable Confirmed Order that Customer has or could reasonably have discovered during such inspection within seven (7) days from the date of receipt of such Products, and Customer shall notify Seller in writing within three (3) days of the date on which Customer shall first have become aware of any hidden defect or non-compliance which could not reasonably have been discovered during Customer's initial inspection of the Products. Such notification shall include reasonable details (including images) on the alleged defects including lot, batch, or Order numbers.

8.2. If Customer fails to timely notify Seller of any defects or other non-compliance of any Products delivered or Customer (or its customers, employees, agents, or representatives) uses, destroys, or modifies any Products that Customer knows or should have known to be defective or non-compliant without Seller's prior written consent, Customer shall be deemed to have unconditionally accepted such Products and waived all of its claims for breach of warranty or otherwise in respect of such Products.

8.3. Customer may only return the Products to Seller with Seller's prior written approval. If the return has been approved by Seller, Customer shall return the Products to Seller at Customer's sole risk and expense to the destination directed by Seller.

8.4. Complaints of Customer in connection with the shipping or transport shall be directed to the carrier promptly upon receipt of the delivery or the freight documents.

## 9. LIMITED PRODUCT WARRANTY

9.1. Seller warrants to Customer that the Products will be free of defects in material and workmanship and conform with the requirements set forth in the applicable Confirmed Order for a period of twelve (12) months from the date of delivery for new business Products and ninety (90) days for after sales Products. (the "Limited Product Warranty").

9.2. Unless expressly agreed to in writing by Seller, Seller makes no warranty that the Products comply with applicable law, regulations, or specifications in any jurisdiction in which the Products may be used, integrated or incorporated. Any governmental or other approvals necessary in connection with the use, integration or incorporation of the Products shall be Customer's sole responsibility.

9.3. The Limited Product Warranty shall be void if the Defect (as defined below) resulted from (a) improper or inadequate use, storage, handling, operation, integration, incorporation, assembly, maintenance, or unauthorized alteration, modification, repair of the Products (including without limitation, the use storage, handling, operation, or integration of the Products contrary to written instructions and/or recommendations of Seller or inadequate training of personnel), (b) changes to construction and materials pursuant to Customer's requests, (c) use of improper tools, resources, or accessories including those but not limited to any third party tools, resources, or accessories that are not approved by Seller or not in accordance with Seller's recommendations, instructions, or directions, (d) acts or omissions of Customer or third parties following delivery of the Product, (e) Customer's failure to properly communicate Seller's instructions and warnings to users of the Products, (f) Customer's, its employees, agents, representatives, customers or any third party's non-compliance with applicable laws, rules and regulation, (g) Force Majeure, or (h) ordinary wear and tear of the Products (e.g., sweep bristles).

9.4. In the event of an alleged breach of the Limited Product Warranty (a "Defect"), Customer shall, at Customer's sole expense, send the Product to Seller. Seller shall conduct the necessary tests on such Product within a reasonable period. If Seller confirms the Defect, Seller shall, at its sole option and discretion, repair or replace the Defective Product. If the repair or replacement of the Defective Product is commercially unreasonable to Seller, Seller may, at its sole discretion, issue a refund to Customer in the amount Seller deems adequate. Such repair, replacement, or refund shall be the sole liability of Seller and the sole remedy of Customer with respect to a Defect. In no event shall any warranty claims for a Defect be made after twelve (12) months from the date of Customer's receipt of the Products. Any Products or parts returned to Seller for removal or repair under this Section 9.4 shall be the property of Seller. Any applicable Limited Product Warranty period shall not start anew with the repair or replacement of the Defective Product (or any portion thereof).

9.5. Except for Limited Product Warranty, SELLER HEREBY EXPRESSLY EXCLUDES AND DISCLAIMS ANY AND ALL OTHER WARRANTIES, WHETHER EXPRESS OR IMPLIED, INCLUDING BUT NOT LIMITED TO THE IMPLIED WARRANTIES OF MERCHANTABILITY, FITNESS FOR A PARTICULAR PURPOSE OR NON-INFRINGEMENT. Seller makes no other warranties with respect to the Products, and no person is authorized to make any warranties on behalf of Seller that are inconsistent with the warranties set forth under this Section 9.

## 10. LIMITATION OF LIABILITY

10.1. IN NO EVENT SHALL SELLER BE LIABLE TO CUSTOMER, ITS CUSTOMERS, EMPLOYEES, AGENTS, AND OTHER REPRESENTATIVES FOR ANY INDIRECT, INCIDENTAL, PUNITIVE, SPECIAL OR CONSEQUENTIAL DAMAGES, INCLUDING BUT NOT LIMITED TO, DAMAGES FOR LOSS OF PROFITS, REVENUE, GOODWILL, OR USE, WHETHER IN AN ACTION IN CONTRACT, TORT, STRICT LIABILITY, OR IMPOSED BY STATUTE, OR OTHERWISE, EVEN IF SELLER WAS ADVISED OF THE POSSIBILITY OF

SUCH DAMAGES. NOTWITHSTANDING ANY OF THE TERMS CONTAINED HEREIN, SELLER'S LIABILITY FOR ANY CLAIM – WHETHER BASED UPON CONTRACT, TORT, EQUITY, NEGLIGENCE, OR ANY OTHER LEGAL CONCEPT – SHALL IN NO EVENT EXCEED THE PURCHASE PRICE PAID BY THE CUSTOMER FOR THE PRODUCTS. GIVING RISE TO SUCH CLAIM. CUSTOMER HEREBY ACKNOWLEDGES AND AGREES THAT THE PROVISIONS OF THESE TERMS FAIRLY ALLOCATE THE RISKS BETWEEN SELLER AND CUSTOMER, THAT SELLER'S PRICING REFLECTS THIS ALLOCATION OF RISK, AND BUT FOR THIS ALLOCATION AND LIMITATION OF LIABILITY, SELLER WOULD NOT HAVE ENTERED INTO AN AGREEMENT WITH CUSTOMER FOR THE SALE OF THE PRODUCTS.

10.2. Seller shall not be liable for, and Customer assumes responsibility and shall indemnify, defend, and hold Seller harmless for any and all claims, including without limitation claims for personal injury or property damages, resulting from (a) the improper or inadequate use, storage, handling, operation, assembly, integration, incorporation, assembly, maintenance, or unauthorized alteration, modification, or repair of the Products (including without limitation, the use storage, handling, operation, or integration of the Products contrary to written instructions and/or recommendations of Seller or inadequate training of personnel), (b) changes to construction and materials pursuant to Customer's re-quests, (c) use of improper tools, resources, or accessories including those but not limited to any third party tools, resources, or accessories that are not approved by Seller or not in accordance with Seller's recommendations, instructions, or directions, (d) acts or omissions of Customer or third parties following the delivery of the Products, (e) Customer's failure to properly communicate Seller's instructions and warnings to users of the Products, or (f) Customer's, its employees, agents, representatives, customers or any third party's non-compliance with applicable laws, rules and regulation, (g) Force Majeure, or (h) ordinary wear and tear of the Products (e.g., sweep bristles).

10.3. In jurisdictions that limit or preclude limitations or exclusion of remedies, damages, or liability, such as liability for gross negligence or willful misconduct or do not allow implied warranties to be excluded, the limitation or exclusion of warranties, remedies, damages, or liability set forth in these Terms are intended to apply to the maximum extent permitted by applicable law, and these Terms shall be deemed amended to comply with such limitations or exclusions. Customer may also have other rights that vary by state, country or other jurisdiction.

## 11. CONFIDENTIALITY

11.1. "Confidential Information" means: (i) any know-how, trade secrets, and other business or technical information of Seller that is confidential or proprietary or due to its nature or under the circumstances of its disclosure the Customer knows or has reason to know should be treated as confidential or proprietary, including but not limited to quotations, drawings, project documentation, samples and models.

11.2. Confidential Information does not include information that: (i) is or becomes generally known to the public through no fault or breach of these Terms by the Customer; (ii) is rightfully known by the Customer at the time of disclosure without an obligation of confidentiality; (iii) is independently developed by the Customer without use of Seller's Confidential Information; (iv) is rightfully received by the Customer from a third party without restriction on use or disclosure; or (v) is disclosed with Seller's prior written approval.

11.3. Customer shall not use Seller's Confidential Information except as necessary to use the Products and will not disclose such Confidential Information to any third party except to those of its employees, agents, subcontractors, or representatives who have a bona fide need to know such Confidential Information to enable Customer to use the Products; provided that each such employee, agent, subcontractor, and/or representative is/are bound by a written agreement that contains use and nondisclosure restrictions not less stringent than the terms set forth in this Section 11.3. The Customer will employ all reasonable steps to protect Seller's Confidential Information from unauthorized use or disclosure, including, but not limited to, all steps that it takes to protect its own information of like importance. The foregoing obligations will not restrict the Customer from disclosing Seller's Confidential Information: (i) pursuant to the order or requirement of a court, administrative agency, or other governmental body, provided that the Customer gives reasonable notice to Seller to contest such order or requirement; (ii) to its legal or financial advisors; and (iii) as required under applicable securities regulations.

11.4. In the event of a violation or threatened violation of Customer's obligations under this Section 11, Seller shall be entitled to seek equitable relief, including in the form of a restraining order, orders for pre-liminary or permanent injunction, specific performance and any other relief that may be available from any court, without the requirement to secure or post any bond, or show actual monetary damages in connection with such relief. These remedies shall not be deemed to be exclusive but in addition to all other remedies available under these Terms, at law, or in equity.

## 12. INTELLECTUAL PROPERTY

12.1 Seller reserves the sole and exclusive ownership of the intellectual property rights in the Products (including but not limited to the technology used to manufacture the Products) and any improvements thereof regardless of inventorship or authorship. Customer shall not (and shall cause its employees, agents, representatives and customers to not) reverse engineer, decompile, disassemble, or decode any of Seller's intellectual property embedded or used in any of the Product.

## 13. FORCE MAJEURE

13.1. Seller shall not be responsible for any failure or delay in its performance under these Terms due to causes beyond its reasonable control, including, but not limited to, disruptions of the public power supply, communications, and transportation infrastructure, government measures, malware or hacker attacks, fire, extraordinary weather events, epidemics, pandemics (or any government restrictions implemented as a result thereof), nuclear and chemical accidents, earthquakes, war, terrorist attacks, labor disputes, strikes, lockouts, shortages of or inability to obtain labor, energy, raw materials or supplies, or other acts of God.

## 14. MISCELLANEOUS

14.1. If any provision contained in these Terms or any Confirmed Order is held by final judgment of a court of competent jurisdiction to be invalid, illegal, or unenforceable, such invalid, illegal, or unenforceable provision shall be severed from the remainder of these Terms or such Confirmed Order, and the remainder of these Terms or such Confirmed Order shall be enforced. In addition, the invalid, illegal, or unenforceable provision shall be deemed to be automatically modified, and, as so modified, to be included in these Terms, such modification being made to the minimum extent necessary to render such provision valid, legal, and enforceable.

14.2. Seller may assign its rights and/or delegate its liabilities under any Confirmed Order at any time. Customer may not assign its rights or delegate its responsibilities under a Confirmed Order without Seller's prior written consent.

14.3. Seller's waiver of any breach or violation of these Terms or the provisions of any Confirmed Order by Customer shall not be construed as a waiver of any other present or future breach or breaches by Customer.

14.4. The parties hereto are independent contractors and nothing in these Terms will be construed as creating a joint venture, partnership, employment, or agency relationship between the parties.

14.5. Notices by a party regarding the exercise of rights and obligations under these Terms must be signed by authorized representatives of such party, and delivered via courier, mail, or e-mail to the other party's address indicated in the applicable Confirmed Order, provided that a notice by e-mail shall only be validly given if receipt thereof is acknowledged in writing by the recipient.

**15. ENTIRE AGREEMENT; CONFLICTS.**

15.1. These Terms, including the applicable Confirmed Order, constitute the entire and exclusive agreement of the parties regarding the subject matter hereof and supersede any and all prior or contemporaneous agreements, communications, and understandings (both written and oral) regarding such subject matter. In the event of a conflict between the provisions of these Terms and the provisions of a Confirmed Order, the provisions of the Confirmed Order will govern and control. Seller may amend or modify these Terms from time to time. Seller may, at its sole discretion, provide Customer with written notice of any such changes, revisions, amendments, or modifications, provided, however that any such changes, revisions, amendments, or modifications shall become effective without any further action by any party and that they shall not apply to any Confirmed Order prior to the effective date of such changes, revisions, amendments, or modifications.

**16. APPLICABLE LAW AND JURISDICTION**

16.1. These Terms and the Confirmed Orders shall be governed by and construed in accordance with the laws of the State of Wisconsin without giving effect to any choice or conflict of law provision or rule that would defer to or cause the application of the substantive laws of any jurisdiction other than Wisconsin. The parties hereby expressly exclude the application of the 1980 United Nations Convention on Contracts for the International Sale of Goods.

16.2. Any dispute, controversy, or claim arising out of or relating to these Terms and any Confirmed Order, including but not limited to the execution, performance, or termination thereof or to any issue of liability arising out of the performance of these Terms or any Confirmed Order, which the parties have not been able to settle amicably shall be submitted to the exclusive jurisdiction of the state or federal courts with jurisdiction in the County of Calumet, Wisconsin, provided that notwithstanding the foregoing, Seller shall be entitled to seek specific performance and injunctive relief in any court of competent jurisdiction. Each party hereby waives any and all claims, pleas, or defenses (including without limitation a plea for *forum non conveniens*) that would permit such party to seek the jurisdiction of any courts or arbitration tribunals other than those set forth in the preceding sentence.

16.3. EACH PARTY HEREBY WAIVES, TO THE FULLEST EXTENT PERMITTED BY APPLICABLE LAW, ANY RIGHT IT MAY HAVE TO A TRIAL BY JURY IN ANY LEGAL PROCEEDING DIRECTLY OR IN-DIRECTLY ARISING OUT OF OR RELATING TO THESE TERMS.