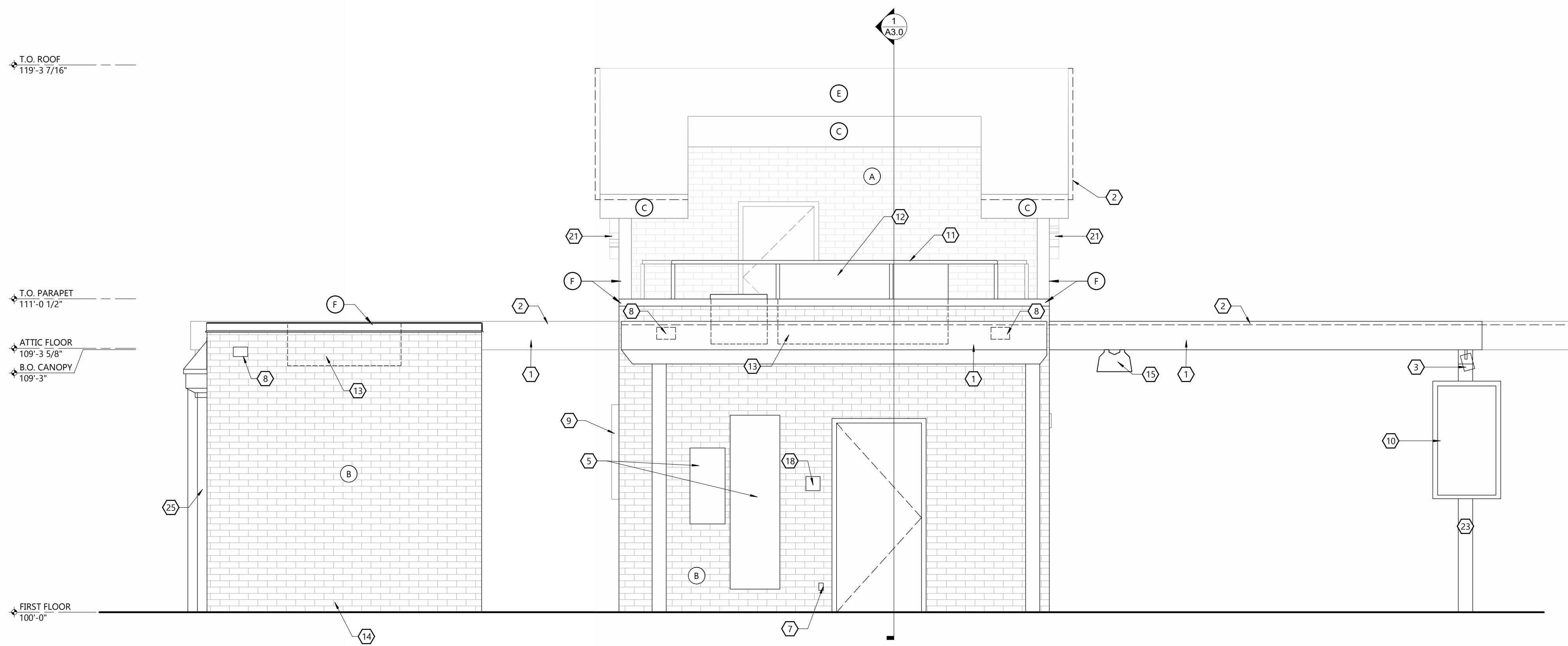
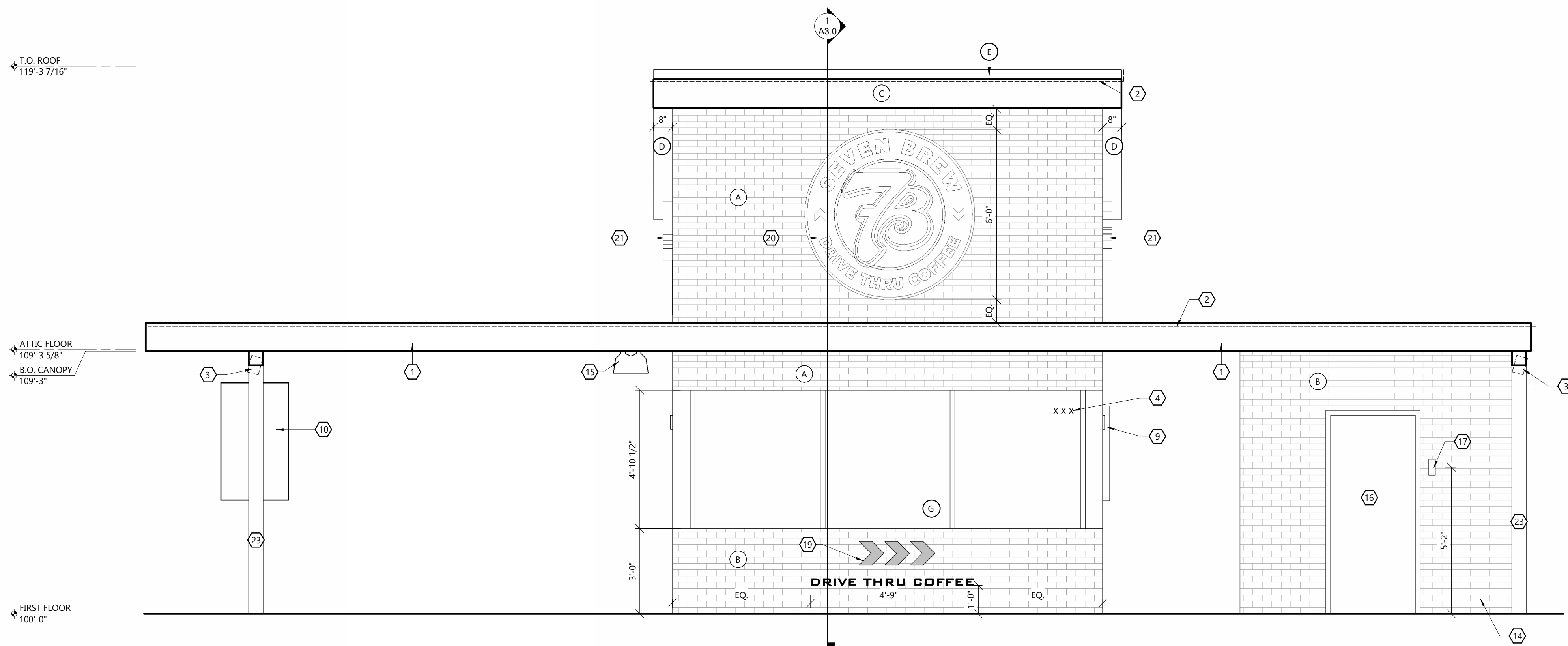


PROJECT INFORMATION

PROPOSED COFFEE SHOP FOR:
7 BREW SHEBOYGAN
3715 WASHINGTON AVE • SHEBOYGAN, WI 53081



1 NORTH ELEVATION
A2.0 SCALE: 3/8" = 1'-0"



2 SOUTH ELEVATION
A2.0 SCALE: 3/8" = 1'-0"

EXTERIOR ELEVATION KEYNOTES

- PRE-ENGINEERED ALUMINUM CANOPY BY OTHERS; REF STRUCTURAL.
- SURFACE-MOUNTED LED NEON FLEX LIGHTING AS INDICATED (SHOWN DASHED); TYP; REF ELECTRICAL.
- MOUNTED SPEAKER SYSTEM; REF SYSTEMS PLAN.
- ADDRESS NUMBERS TO BE 8" TALL x 2" BRUSH STROKE.
- ELECTRICAL EQUIPMENT, PAINTED TO MATCH BUILDING; REF ELECTRICAL.
- FROST PROOF FLUSH HOSE BIB.
- EXTERIOR WEATHER-PROOF OUTLET; REF ELECTRICAL.
- THROUGH WALL SCUPPER ROOF DRAIN.
- SURFACE-MOUNTED LIGHTED SIGN BOX.
- SAMSUNG DIGITAL DISPLAYS; INSTALLED IN FIELD BY IT PROVIDER; CHASE FOR DATA CABLE INSTALLED AT BUILDING MANUFACTURING FACILITY.
- GUARDRAIL; 3' - 6" ABOVE ATTIC FLOOR.
- HVAC EQUIPMENT.
- OUTLINE OF MECHANICAL UNIT BEYOND.
- PREFABRICATED COOLER BY NATIONAL MODULAR MANUFACTURING; COORD. LOCATION AND SPECS WITH CIVIL AND STRUCTURAL.
- CANOPY HEATER.
- 36" COOLER DOOR.
- COOLER LOCK AND CONTROLS.
- KNOX BOX.
- 1/4" THICK ACRYLIC SIGNAGE APPLIED TO SIDING WITH VH DOUBLE SIDE TAPE.
- ROUND STOREFRONT SIGN; SUPPLIED AND INSTALLED BY SIGN CONTRACTOR.
- ILLUMINATED STOREFRONT SIGNAGE BY SIGN CONTRACTOR.
- EXPOSED DOWNSPOUT, GALVANIZED, PAINTED; CONNECT TO SUB-GRADE STORM WATER COLLECTION SYSTEM; REF CIVIL.
- PAINTED STRUCTURAL CANOPY COLUMN; RAINWATER DOWNSPOUT WITHIN; CONNECT BASE OF CANOPY COLUMN DOWNSPOUT TO STORMWATER MANAGEMENT SYSTEM; REF CIVIL.
- PAINTED STRUCTURAL CANOPY COLUMN; REF CIVIL.

EXTERIOR ELEVATION MATERIALS

- A. FIBER CEMENT BRICK SIDING (BRK-2).
- B. FIBER CEMENT BRICK SIDING (BRK-1).
- C. BRAKE METAL FASCIA (MP-2).
- D. SOFFIT PANELS (MP-2).
- E. STANDING SEAM ROOF PANELS (MP-2).
- F. METAL BRAKE CAP (MP-3).
- G. CLEAR ANODIZED ALUMINUM (MP-4).

FINISH MATERIALS SCHEDULE

SYMBOL	ITEM	DESCRIPTION	REMARKS
BRK-1	FIBER CEMENT PANEL SIDING	BRAND: NICHHA COLOR: MIDNIGHT STYLE: MODERN BRICK	EXTERIOR WAINSCOT AND REAR WALL NOTES: a, d
BRK-2	FIBER CEMENT PANEL SIDING	BRAND: NICHHA COLOR: SHALE BROWN STYLE: CANYON BRICK	EXTERIOR WALLS ABOVE WAINSCOT AND ATTIC REAR NOTES: b
FRP-1	FRP WALL COVERING	BRAND: NUDO FIBERLITE COLOR: WHITE STYLE: 4' x FULL HEIGHT x .090"	SERVICE AREA AND TOILET NOTES: c
MP-2	BRAKE METAL	BRAND: BERRIDGE COLOR: ROYAL BLUE STYLE: LOW SHEEN SMOOTH	REFLECTIVITY - .26 METAL ROOF AND CANOPIES NOTES: a
MP-3	BRAKE METAL	BRAND: BERRIDGE COLOR: ZINC GREY STYLE: LOW SHEEN SMOOTH	REFLECTIVITY - .39 METAL COPING AT REAR WALL NOTES: a
MP-4	BRAKE METAL	BRAND: BERRIDGE COLOR: ZINC GREY STYLE: LOW SHEEN SMOOTH	REFLECTIVITY - .39 METAL COPING AT SIDE WALLS NOTES: a
PT-1	PAINT	BRAND: SHERWIN WILLIAMS COLOR: 'INDIGO' SW 6531 STYLE: EGG SHELL	CEILING TRIMS AND MISC TRIMS NOTES: a, c
PT-2	PAINT	BRAND: SHERWIN WILLIAMS COLOR: 'FIRST STAR' SW 7646 STYLE: SEMI-GLOSS	CEILING, INTERIOR TOILET ROOM WALLS, DOORS AND FRAMES NOTES: a, c
VB-1	RESILIENT VINYL BASE	BRAND: AMARCO COLOR: LIGHT GRAY STYLE: PROTECT-ALL BASE	SERVICE AREA AND TOILET NOTES: a
VF-1	RESILIENT VINYL FLOORING	BRAND: AMARCO COLOR: LIGHT GRAY STYLE: PROTECT-ALL FLOORING	SERVICE AREA AND TOILET NOTES: a

FINISH MATERIALS SCHEDULE NOTES:

- SITE CONTRACTOR TO COORDINATE WITH PREFABRICATOR DIRECTLY TO DETERMINE SCOPE SPLIT OF ITEMS PROVIDED/INSTALLED/FINISHED WITHIN FABRICATION FACILITY VERSUS ON-SITE.
- PROVIDE COMPLETE ARCHITECTURAL SIDING SYSTEM AND ACCESSORIES, INCLUDING MATCHING MANUF FABRICATED CORNERS, FLASHINGS, AND TRIMS. SIDING INSTALLATION PER MANUF INSTALLATION INSTRUCTIONS.
- PROVIDE A MINIMUM OF TWO (2) COATS PAINT OVER ONE (1) COAT PRIMER ON ALL EXPOSED GYP BD IN SERVICE AREA AND TOILET.

PROFESSIONAL SEAL

SHEET DATES

ISSUED FOR APPROVAL

IFA MAY 5, 2026

JOB NUMBER

260004700

SHEET NUMBER

A2.0