

Quoted to Santaquin City by Royal Wholesale Electric , Salt Lake City, Utah - Kurt Christman

Proposal Name: BW23_146_Santaquin_RoyalSaltlake

Quote Name: Accusine AHF

Proposal Number: P-230807-3917018

Quote Number: Q-4304001

Quote Date: 10/03/2023

Through Addenda Number: 0

Sales Representative: Bret WILCKEN

Conditions of Sale

This Quotation is subject to Coordinated Project Terms. See <https://www.se.com/us/en/download/document/0100PL0043/>

Quoted price in currencies other than U.S. Dollars is per the annual Schneider Electric exchange guidance.

Quote is valid for 30 days. Quoted lead times are approximate and subject to change.

Schneider Electric reserves the right to amend, withdraw or otherwise alter this submission without penalty or charge as a result of any event beyond its control arising from or due to the current Covid-19 epidemic or events subsequent to this epidemic / pandemic including changes in laws, regulations, by laws or direction from a competent authority.

Pricing

Report Group DISTRIBUTOR SELL PRICE Price Summary

Ungrouped	\$53589.24
Report Group Price Total	\$53589.24

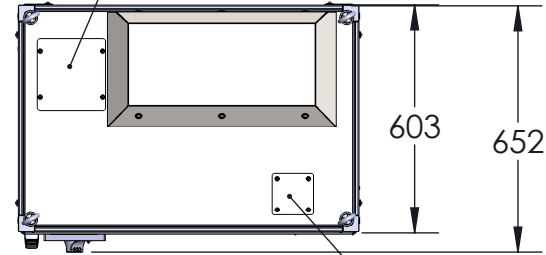
Total DISTRIBUTOR SELL PRICE	\$53589.24
Total Warranty	\$0.00
Total FOB	\$0.00
Quote Total US DOLLARS	\$53589.24

Ungrouped **\$53589.24**

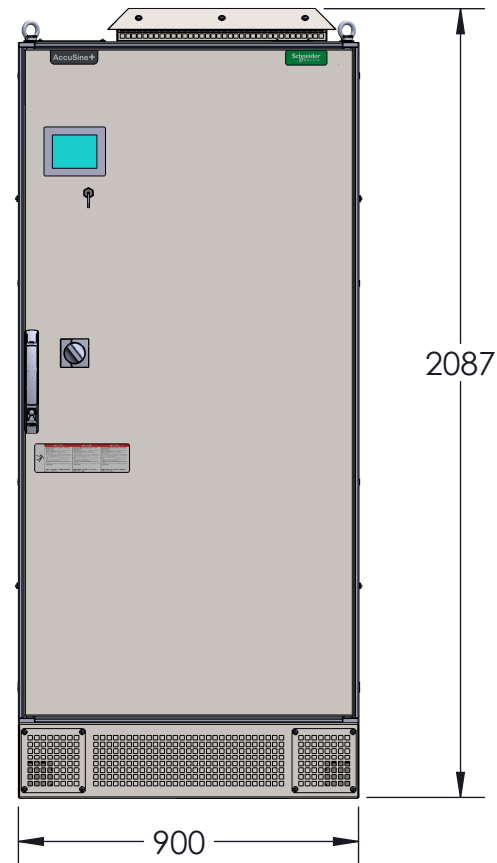
Seq #	Qty	Product Description	Price Each	Subtotal
1	1	Designation : 200A AHF 480V Item No : 129153290 Product Details: PCSP200D5N2-AccuSine PCS+ 200A 380-480 VAC N2	\$51259.80	\$51259.80

Seq #	Qty	Product Description	Price Each	Subtotal
2	1	Designation : Startup Item No : 124833045 Product Details: 1-SRVACCUSINES-DPIBS ADHOC and Rollups Line Containing:	\$2329.44	\$2329.44

TOP POWER ENTRY 150x175mm OPENING

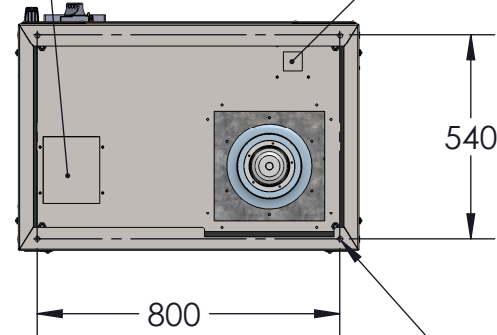


TOP ENTRY COMMUNICATIONS & CT's 50x50mm OPENING



NHA5990600 LARGE ENCLOSURE 480V IP31/N2		
PCSP200D5N2	AccuSine PCS+ 200A, 380-480 VAC N2	HRB49223
EVCP200D5N2	AccuSine PFV+ 200A, 380-480 VAC N2	HRB49224
PCSP200D5IP31	AccuSine PCS+ 200A, 380-480 VAC IP31	HRB49225
EVCP200D5IP31	AccuSine PFV+ 200A, 380-480 VAC IP31	HRB49226
PCSP300D5N2	AccuSine PCS+ 300A, 380-480 VAC N2	HRB18251
EVCP300D5N2	AccuSine PFV+ 300A, 380-480 VAC N2	HRB18252
PCSP300D5IP31	AccuSine PCS+ 300A, 380-480 VAC IP31	HRB18248
EVCP300D5IP31	AccuSine PFV+ 300A, 380-480 VAC IP31	HRB18249

BOTTOM POWER ENTRY 150x175mm OPENING



BOTTOM ENTRY COMMUNICATIONS & CT's 50x50mm OPENING

Ø 13 FLOOR ANCHOR HOLES

	Scale: N/A	Tolerancing Standard: ISO8015	Units of Measure: mm
		LARGE ENCLOSURE 380-480V IP31-N2	
		<i>LARGE ENCLOSURE 380-480V IP31-N2</i>	
Number: NHA5990600		Revision: 00	Sheet: 1 OF 1

All information and data contained in this document are the exclusive property of Schneider Electric Industries SAS and may neither be used nor disclosed without its prior written consent. State: Released for Manufacturing Printed on 2015/07/09

PCSP200D5N2

Active harmonic filter 200 amp 380-480 VAC N2
Enclosure



Product availability: Stock - Normally stocked in distribution facility

Price*: 140646.66 USD



Main

Range of Product	AccuSine
Product name	AccuSine PCS+
Product or Component Type	Active harmonic filter

Complementary

Poles description	3P
Wiring mode	3 or 4 wires
Network rated voltage	380...480 V AC
Input Frequency	50/60 Hz +/- 3 Hz auto sensing
Maximum permissible voltage	1.1 x Un
Neutral protection setting	Not provided
Nominal output current	200 A
Reactive power rating	166 Kvar 480 V AC 50/60 Hz
Operating Mode	Power factor correction Harmonic cancellation Mains current balancing
Mounting Location	Indoor
Enclosure mounting	Floor-standing
Protection Type	Circuit breaker protection
Control Type	Door-interlocked with rotary handle
Breaking capacity	200 KA
Function Available	Rear plenum with forced ventilation for high heat flow
Electromagnetic compatibility	Conducted EMC, class A EN 61000-6-4
Accessibility for operation	Front
Location of connection	Top or bottom

Environment

Degree of protection	UL type 2
Environmental characteristic	Operating 3C2 IEC 60721-3-3 Operating 3S2 IEC 60721-3-3 Storage 3C3 IEC 60721-3-3 Storage 3S3 IEC 60721-3-3
Operating altitude	<= 3280.84 ft (1000 m) 1 % per 100 m
Ambient air temperature for operation	32...104 °F (0...40 °C) 32...122 °F (0...50 °C) maximum with current derating of 2 % per °C
Relative humidity	0...95 %
Impregnation material	Conformal coated
Standards	CSA C22.2 No 60947-1-07 EN 61000-6-4 UL 508 UL 60947-1 CSA C22.2 No 14 EN 60439-1
Product Certifications	cULus[RETURN]ABS[RETURN]CE[RETURN]RCM
Ambient Air Temperature for Storage	-4...140 °F (-20...60 °C)
Net Weight	782.64 Lb(US) (355 kg)
Height	82.68 In (2100 mm)
Width	35.43 In (900 mm)
Color	Light gray RAL 7035)
Depth	23.62 In (600 mm)

Ordering and shipping details

Category	00089-ACTIVE FILTERS
Discount Schedule	DE2C
GTIN	3606480851094
Returnability	No
Country of origin	US

Packing Units

Unit Type of Package 1	PCE
Number of Units in Package 1	1
Package 1 Height	91.77 In (233.1 cm)
Package 1 Width	47.01 In (119.4 cm)
Package 1 Length	47.01 In (119.4 cm)
Package 1 Weight	1047.20 Lb(US) (475.0 kg)

Offer Sustainability

California proposition 65	WARNING: This product can expose you to chemicals including: Lead and lead compounds, which is known to the State of California to cause cancer and birth defects or other reproductive harm. For more information go to www.P65Warnings.ca.gov
EU RoHS Directive	Compliant EU RoHS Declaration
Toxic heavy metal free	Yes
Mercury free	Yes
China RoHS Regulation	China RoHS Declaration
RoHS exemption information	Yes
WEEE	The product must be disposed on European Union markets following specific waste collection and never end up in rubbish bins.

Contractual warranty

Warranty	18 months
----------	-----------

Product Life Status : Commercialised
