

Parks & Trails Advisory Board

Meeting

5/8/24

Agenda Item # 2

Action Sports Park Branding

Option A.1



Primary



Primary 1 Color



Icon



Secondary



Secondary



Badge

Option A.2



Primary



Primary 1 Color



Icon



Secondary



Secondary



Badge

Agenda Item # 3

Tupper Playground and Park

Update















Agenda item # 4

Tickle Creek Trail Update









Agenda item # 5
Cedar Creek Trail Grand
Opening Pictures





GRAND OPENING





GRAND OPENING



Agenda item # 6

Sandy Bluff Dog Park Upgrade

Progress Pictures

















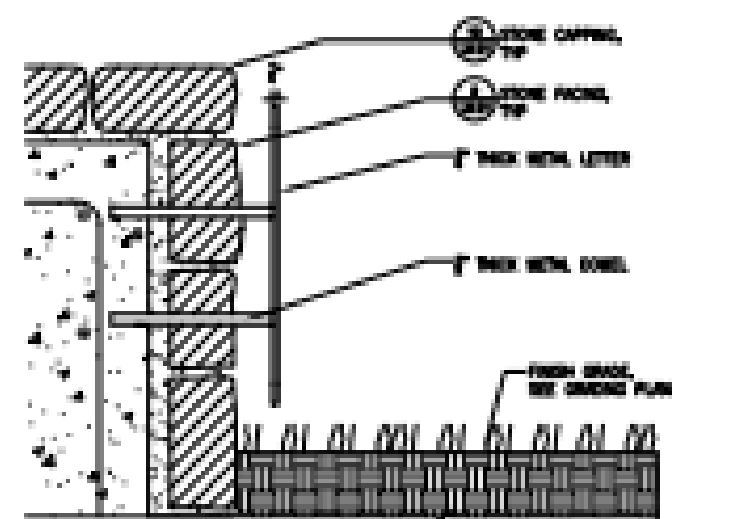
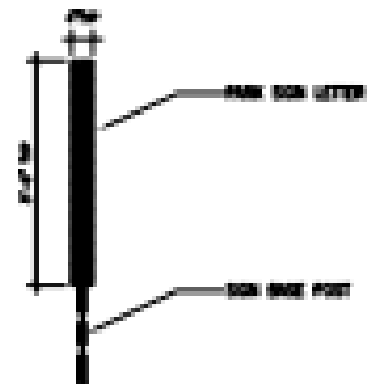
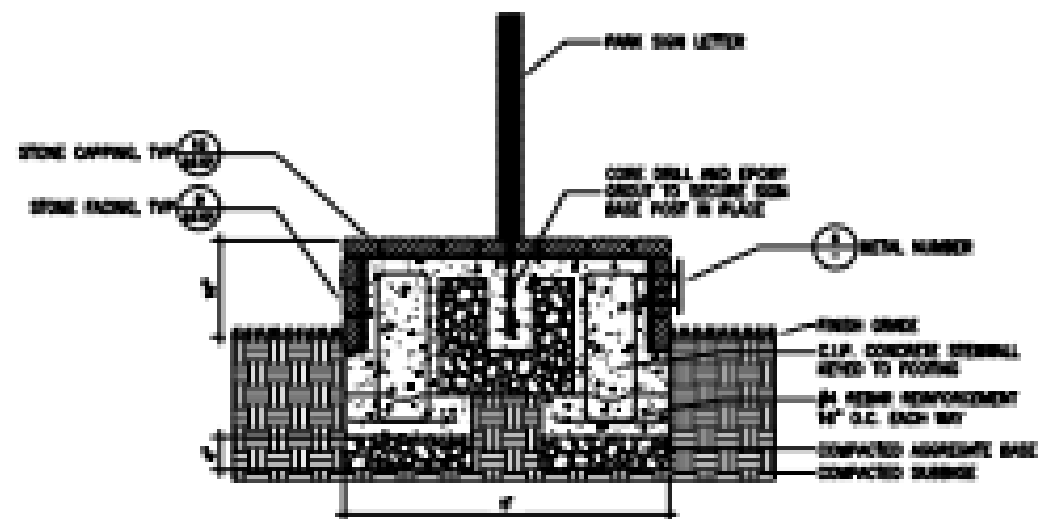
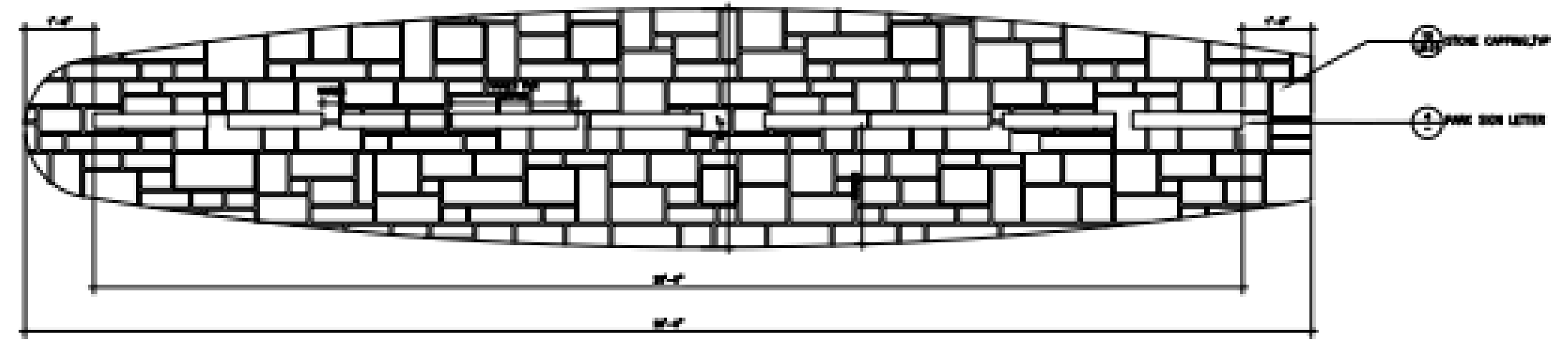
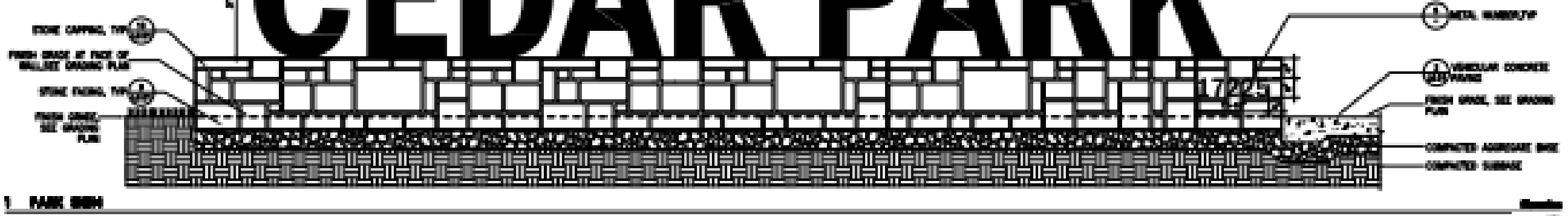
Agenda Item # 7

Cedar Park Construction

Progress Videos

- NOTE:
 1. SEE SIGN FLASHT FOR TYPICAL SIGN WALL SECTION FOR DETAIL USED FOR PARK SIGN LETTER AND METAL NUMBER. FURNISH CORING DETAIL CODE.

CEDAR PARK





CEDAR PARK

17225



Show Cedar Park Videos

Agenda Item # 8

Deer Pointe Park Design Update



PARK AMENITIES

- 1** Playground
- 2** Shelter
- 3** Half Court Basketball
(2 wheel Full Court Option)
- 4** Open Lawn
- 5** Paths and Groundcover