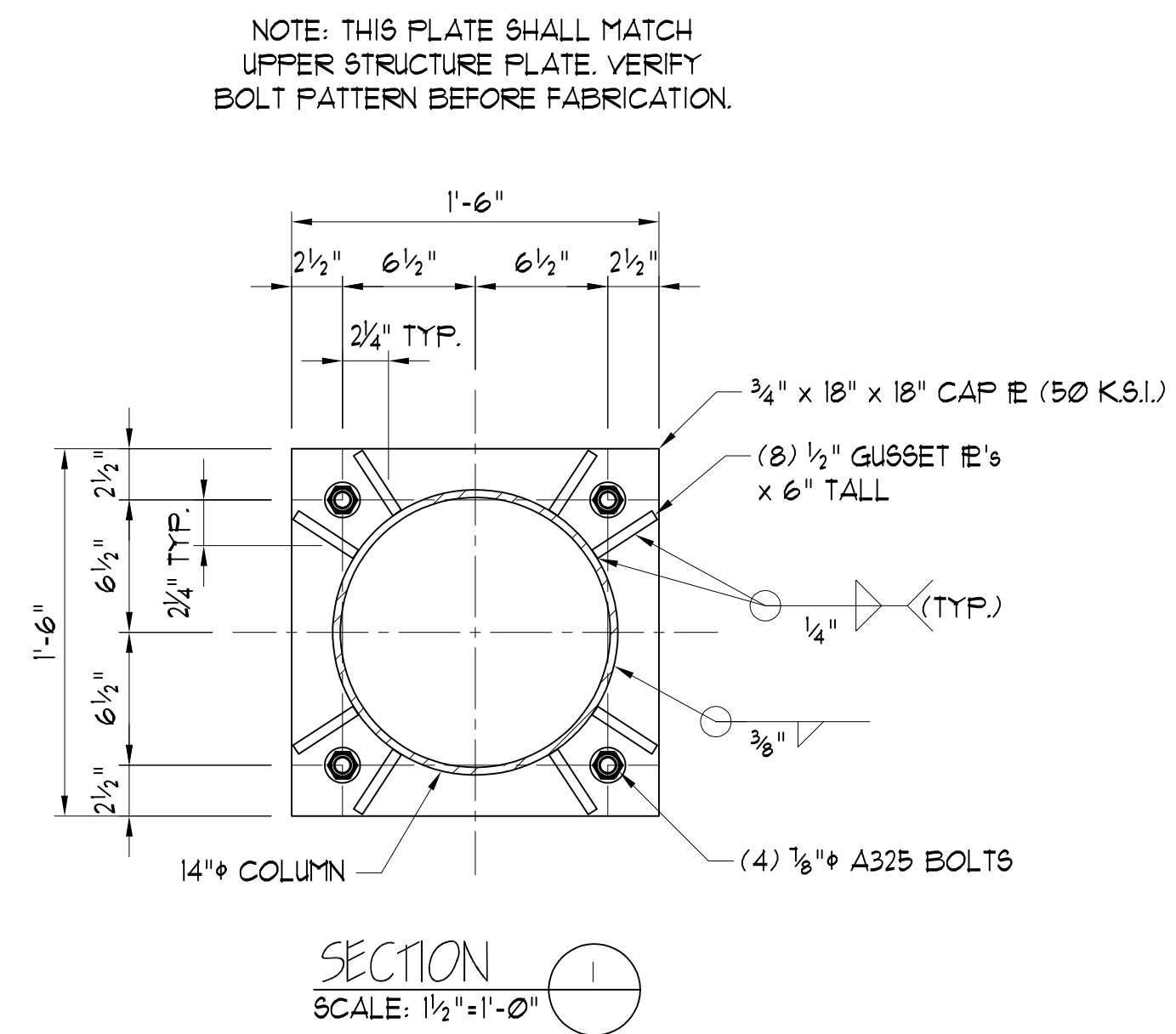


SIGN FRAME ELEVATION
SCALE: 3/8"=1'-0"



NOTES:

1. NEW BOLTS SHALL BE 3/8" A325 GALVANIZED UNLESS NOTED OTHERWISE.
2. CONCRETE SHALL BE STANDARD WEIGHT 3000 P.S.I. @ 28 DAYS COMPRESSIVE STRENGTH UNLESS NOTED OTHERWISE.
3. DESIGN WIND LOAD MEETS 2018 NORTH CAROLINA STATE BUILDING CODE AND 2015 INTERNATIONAL BUILDING CODE CRITERIA FOR 105 M.P.H., EXPOSURE C, RISK CATEGORY I.
4. NEW STEEL SHALL BE ASTM A36 UNLESS NOTED OTHERWISE.
5. ALL WELDS SHALL BE MADE BY AN AMERICAN WELDING SOCIETY CERTIFIED WELDER USING E70 FILLER MATERIAL.
6. MAXIMUM SIGN FACE AREA SHALL BE 160 SQUARE FEET AND MAXIMUM APRON FACE AREA SHALL BE 36 SQUARE FEET.
7. MINIMUM LATERAL PASSIVE SOIL BEARING CAPACITY FOR SIGNS SHALL BE 150 P.S.F. PER FOOT OF DEPTH (x 2 = 300 P.S.F.) PER THE INTERNATIONAL BUILDING CODES AND SHALL BE VERIFIED IN THE FIELD BY CONTRACTOR.
8. UPPER STRUCTURE IS DESIGNED BY HEADRICK.

B 4 P JOB NO. 24.05313

HEADRICK OUTDOOR MEDIA Shelby, North Carolina			
SIGN NC-003-0461 LOCATION: 188 WHITESIDE ROAD RUTH, NORTH CAROLINA 28139			
scale : NOTED	revisions	by	date
date : 11/26/24			
drawn : TED			
ckd. : T.F.I.			
SIGN FRAME #4783-HO			

