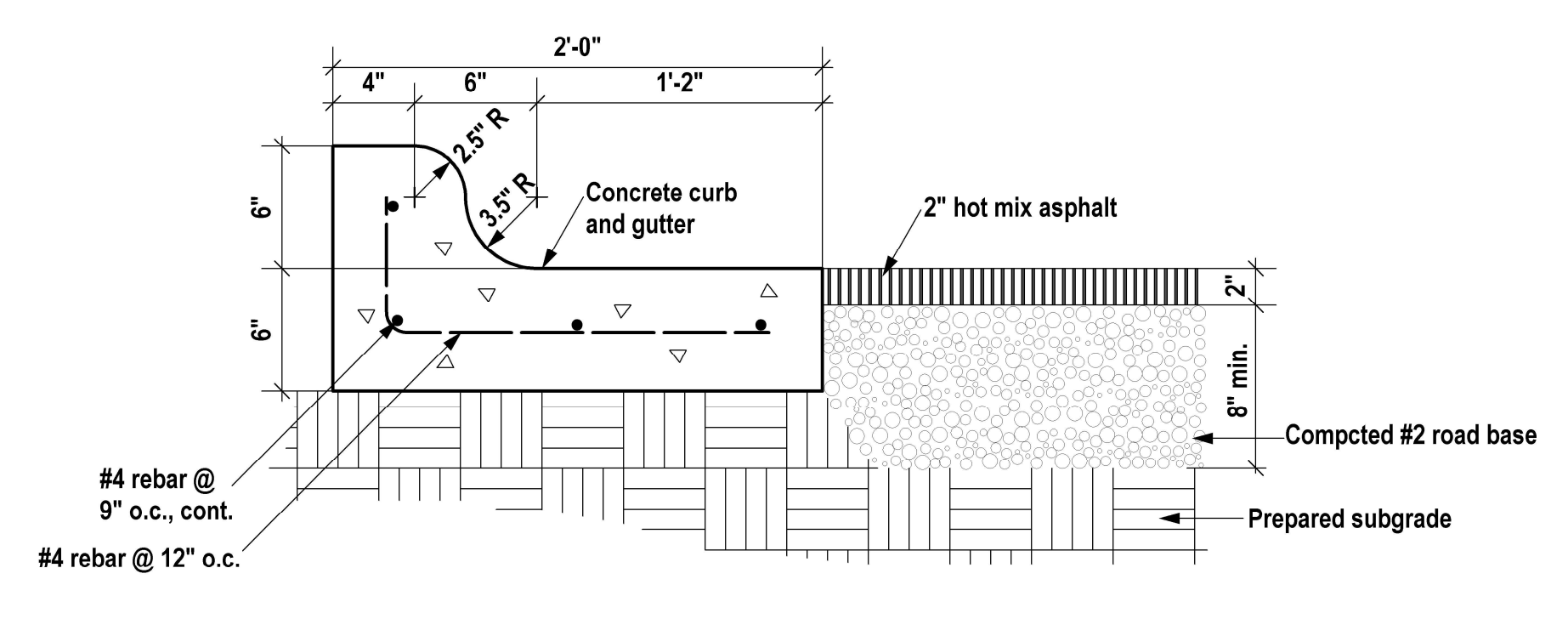
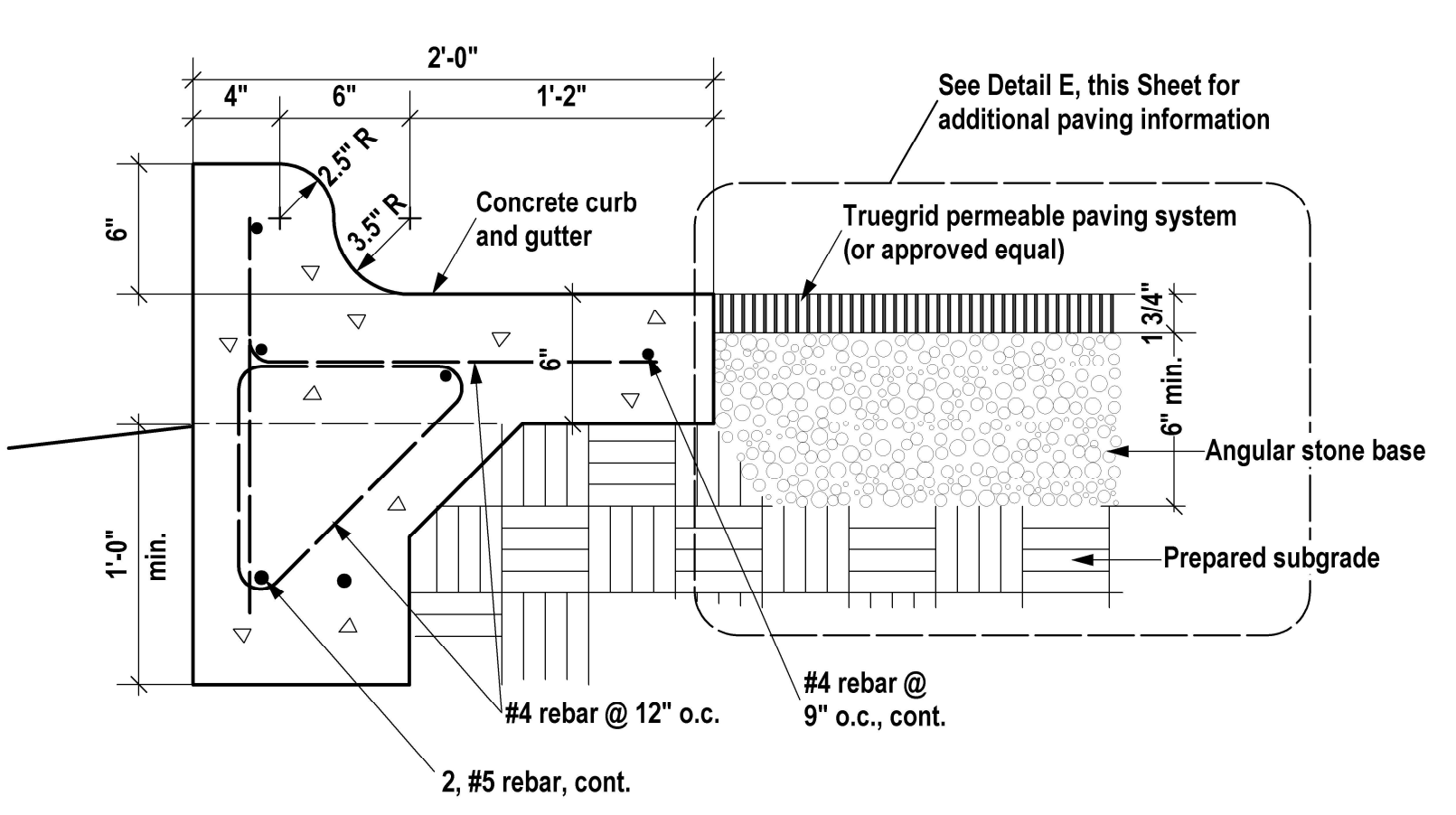


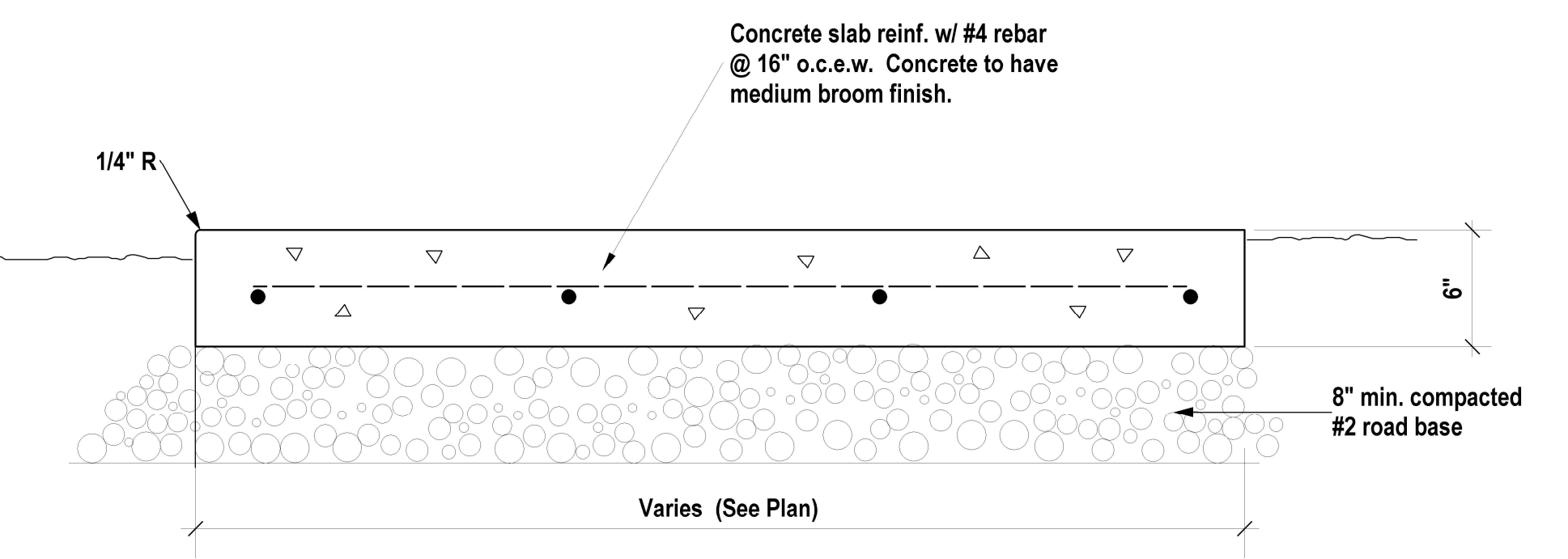
A Section - Concrete Curb and Gutter (with True Grid)
 Scale 1 1/2" = 1'-0"



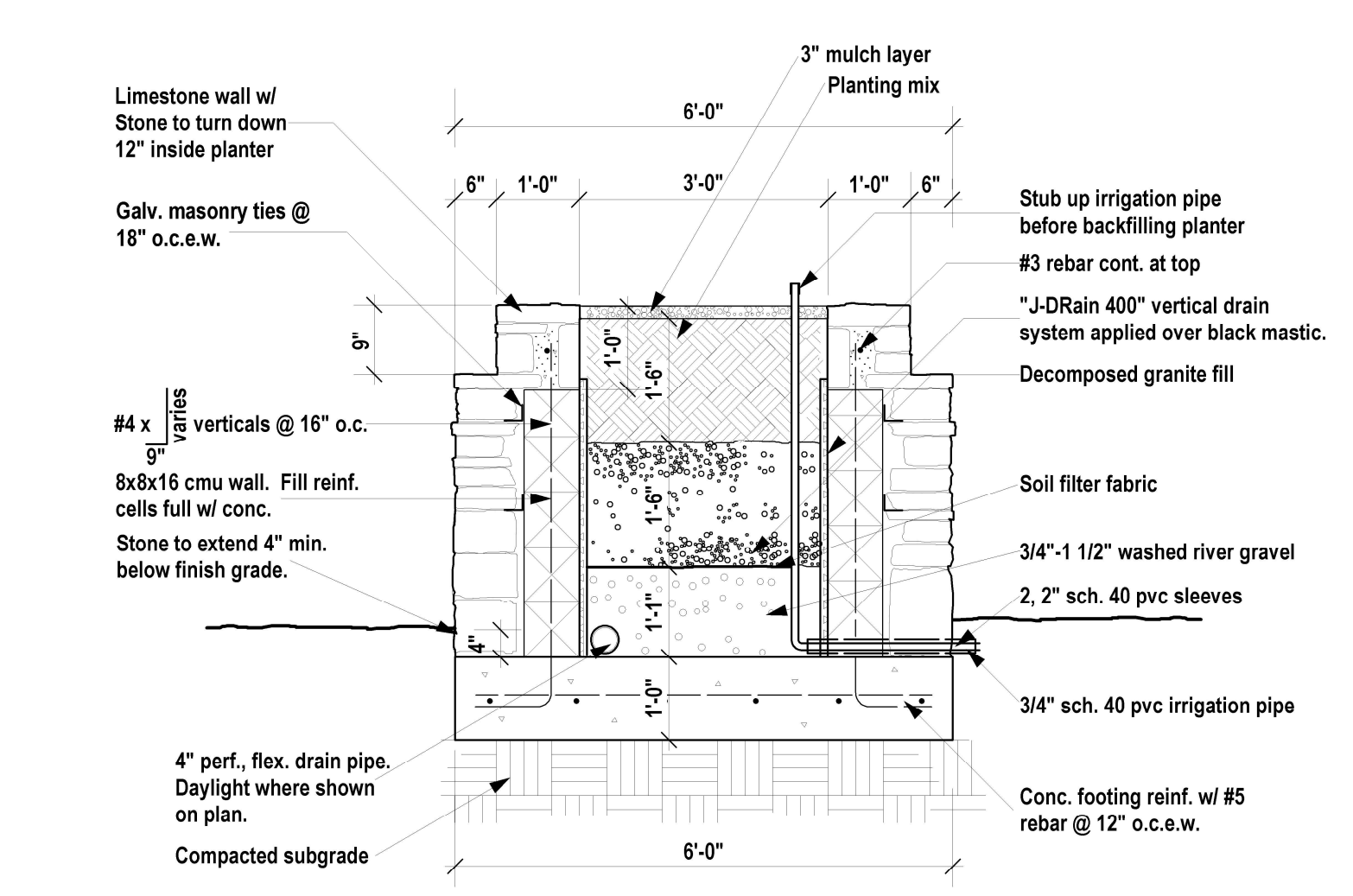
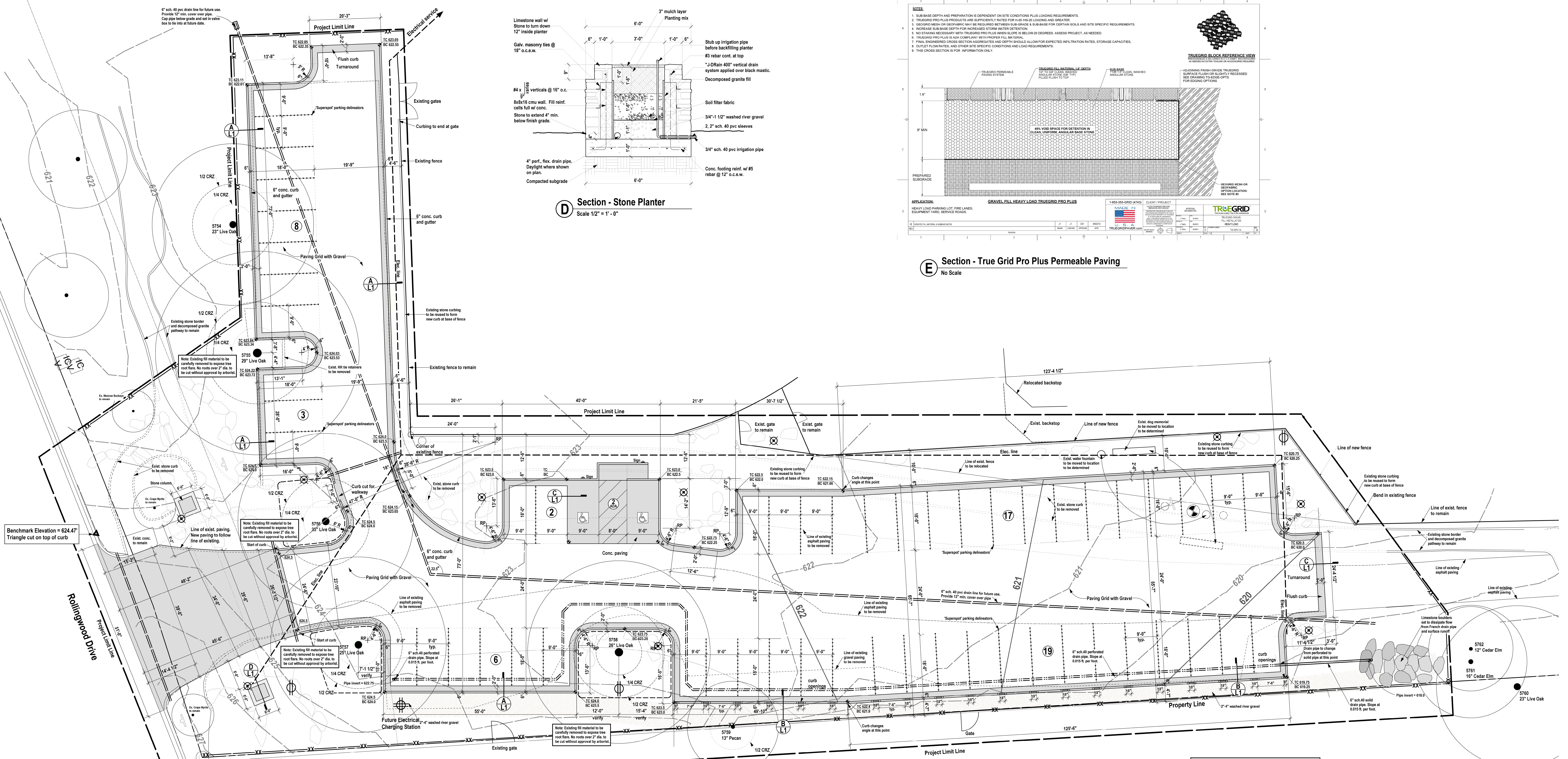
A1 Alternate Section - Concrete Curb and Gutter (with asphalt)
 Scale 1 1/2" = 1'-0"



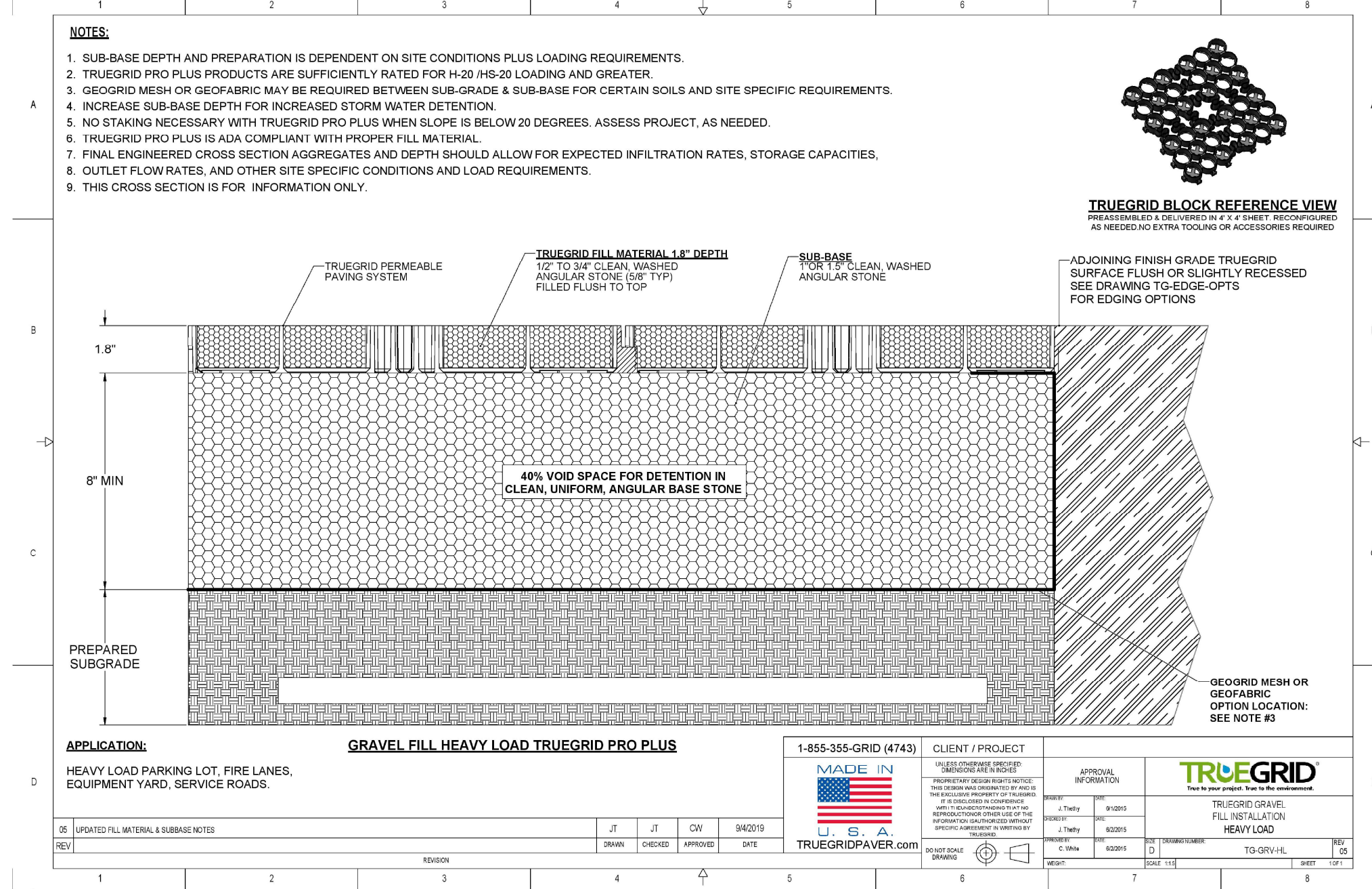
B Section - Concrete Curb and Gutter with Stem Wall
 Scale 1 1/2" = 1'-0"



C Section - Concrete Paving
 Scale 1 1/2" = 1'-0"



D Section - Stone Planter
 Scale 1/2" = 1'-0"



E Section - True Grid Pro Plus Permeable Paving
 No Scale

Legend

- 624.0' Proposed Finish Grade Elevation
- BC Bottom of Curb Elevation
- TC Top of Curb Elevation
- TW Top of Wall Elevation
- Detail Sheet No.
- 627 Existing Contour Elevation
- 622 Proposed Contour Elevation
- 2, 4" Sch. 40 PVC Sleeves
- XX Silt Fence Location
- Location of Tree Protection Fencing
- Landscape lighting locations
- Electrical outlet locations
- Future Electrical Charging Station

Hardscape Plan
 Scale 1" = 10'-0"

