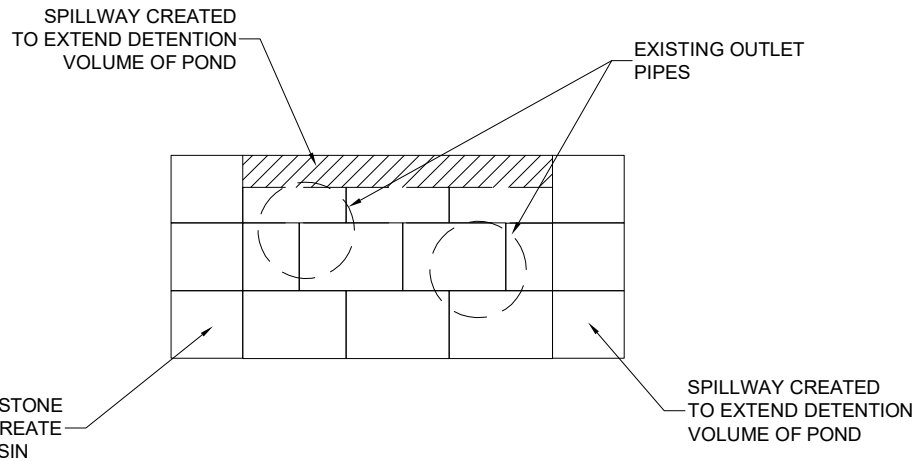
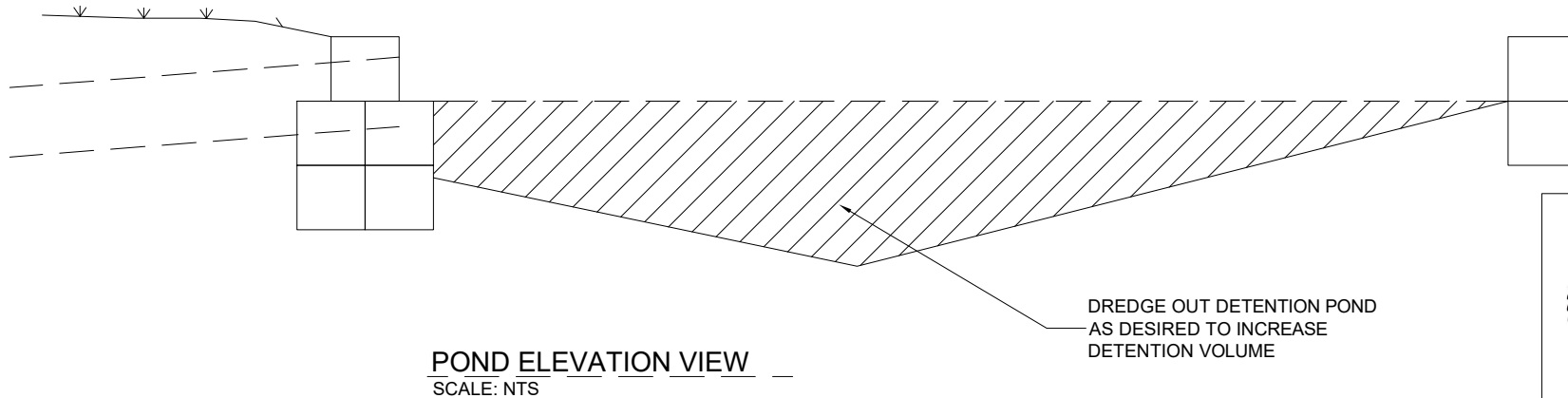


**PROPOSED BASIN ELEVATION VIEW**  
SCALE: NTS



**PROPOSED BASIN FRONT VIEW**  
SCALE: NTS



**POND ELEVATION VIEW**  
SCALE: NTS



WATER CONSERVATION  
STORMWATER MANAGEMENT  
ALTERNATIVE WATER SUPPLY  
501 W POWELL LN, STE 206  
AUSTIN, TX 78753  
(512) 490-0932  
www.watercache.com  
TEXAS ENGINEERING FIRM #F-11414

DRN BY: CMG	CKD BY: CMG	APP BY: CMG	
REVISIONS:			
NO.	DESCRIPTION	DATE	APP BY

<b>DETENTION POND DETAILS - ROLLINGWOOD PARK</b>		
ADDRESS: 403 NIXON DRIVE, ROLLINGWOOD, 78746		
FILE NO: IWS SITE PLAN-ROLLINGWOOD	DATE: 05-14-24	
SIZE: A	SCALE: NTS	SHEET: 1 OF 1