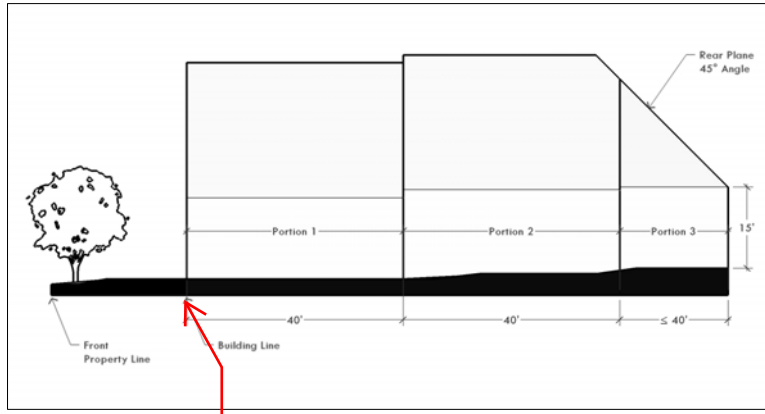


## Third component of buildable area: SETBACK PLANES

### – Creating setback planes on a sloping lot

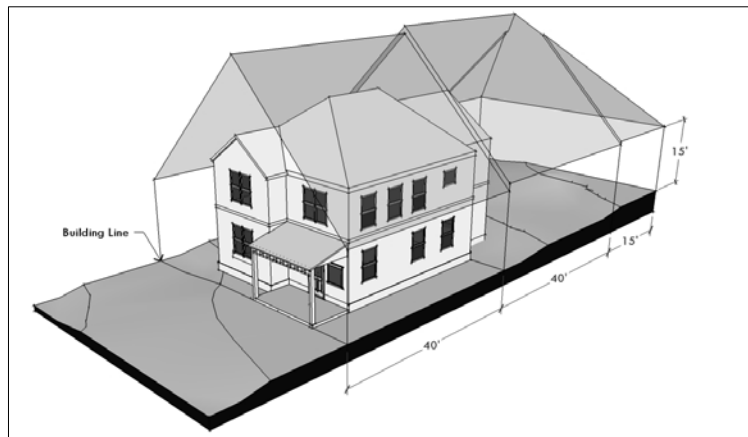


Building Line or Front  
of Building

(Figure 7, Page 9)

## Third component of buildable area: SETBACK PLANES

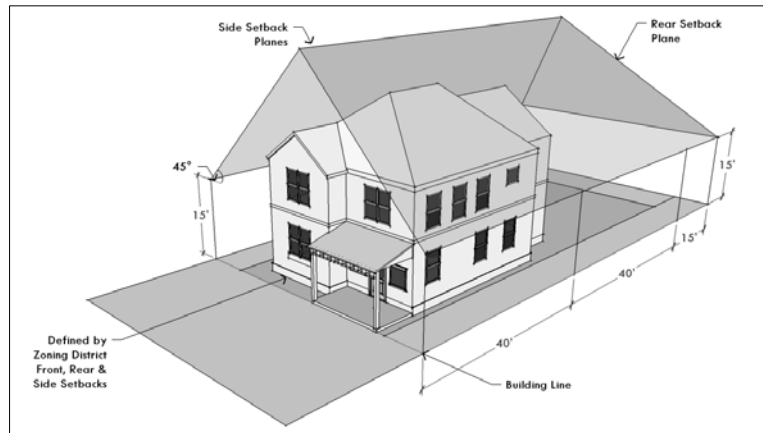
### – Side & rear setback planes on sloping lot



(Figure 9, Page 10)

## Third component of buildable area: SETBACK PLANES

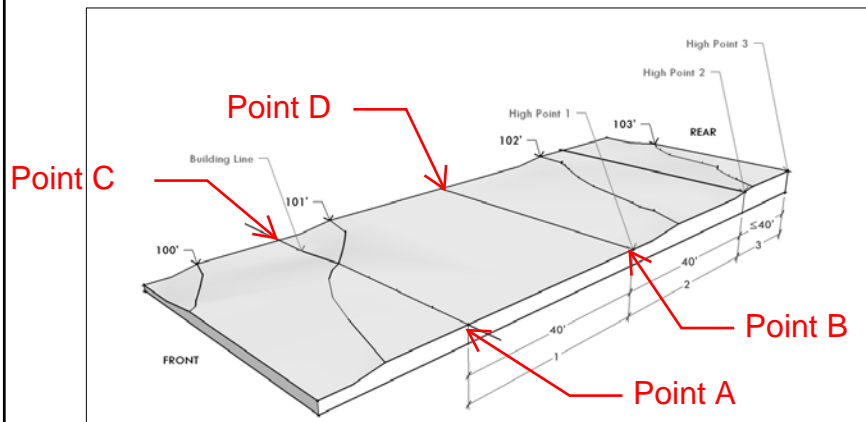
### – Side and rear setback planes combined



(Figure 8, Page 10)

## Third component of buildable area: SETBACK PLANES

### – Determining high points on a sloping lot



(Figure 5, Page 8)

You take the higher of Point A and B on one side and the higher of Point C and D on the other