

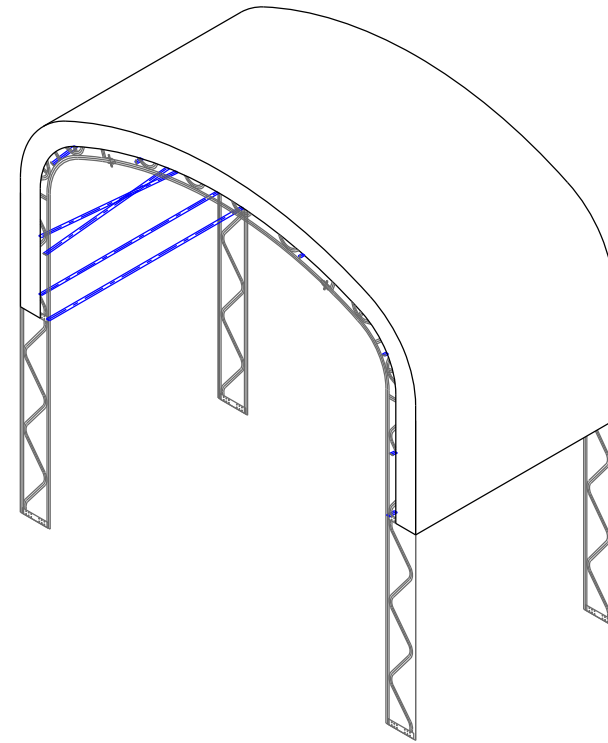
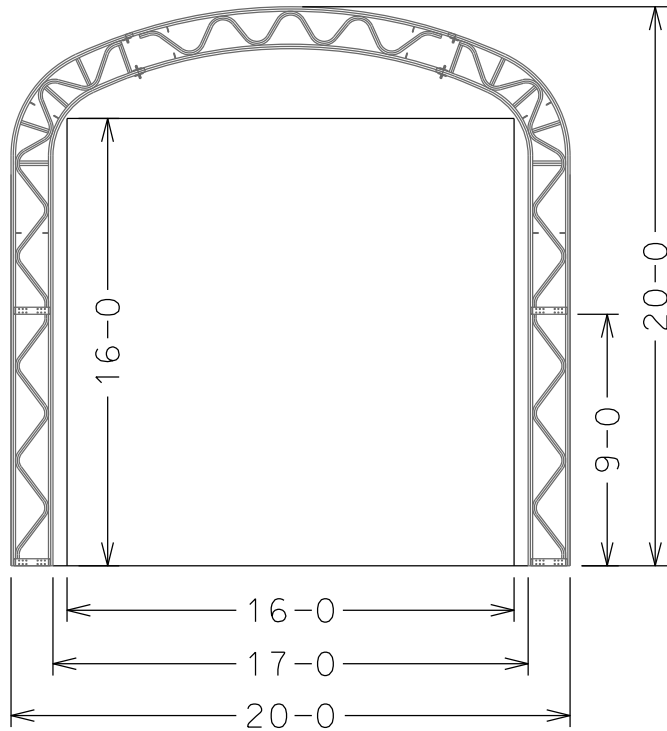
Proposal Drawings -

Inside Looking Out

1 - Vestibule

2 - Footprint

3 - Side Panels



Provide the Ground Surface information  
for Anchoring on this End:

\_\_\_\_\_ Anchoring Surface

An authorized signature  
indicates the approval of this design

\_\_\_\_\_ Date

\_\_\_\_\_ Approval Signature

Note:  
Dimension Tolerance +/- 3"



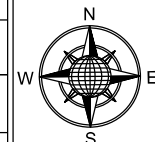
BIG TOP MANUFACTURING LLC.  
3255 US HIGHWAY 19 NORTH  
PERRY, FL 32347  
PH: (850) 584 - 7786  
Email:sales@bigtopusa.com  
www.bigtopusa.com

Zekelman Industries

Rochelle, IL

Power Supply: N/A  
SALES REPRESENTATIVE: Thomas H.  
CAD TECHNICIAN: \*\*\*  
DATE DRAWN: 6/15/2026  
APPROVED ON: \*

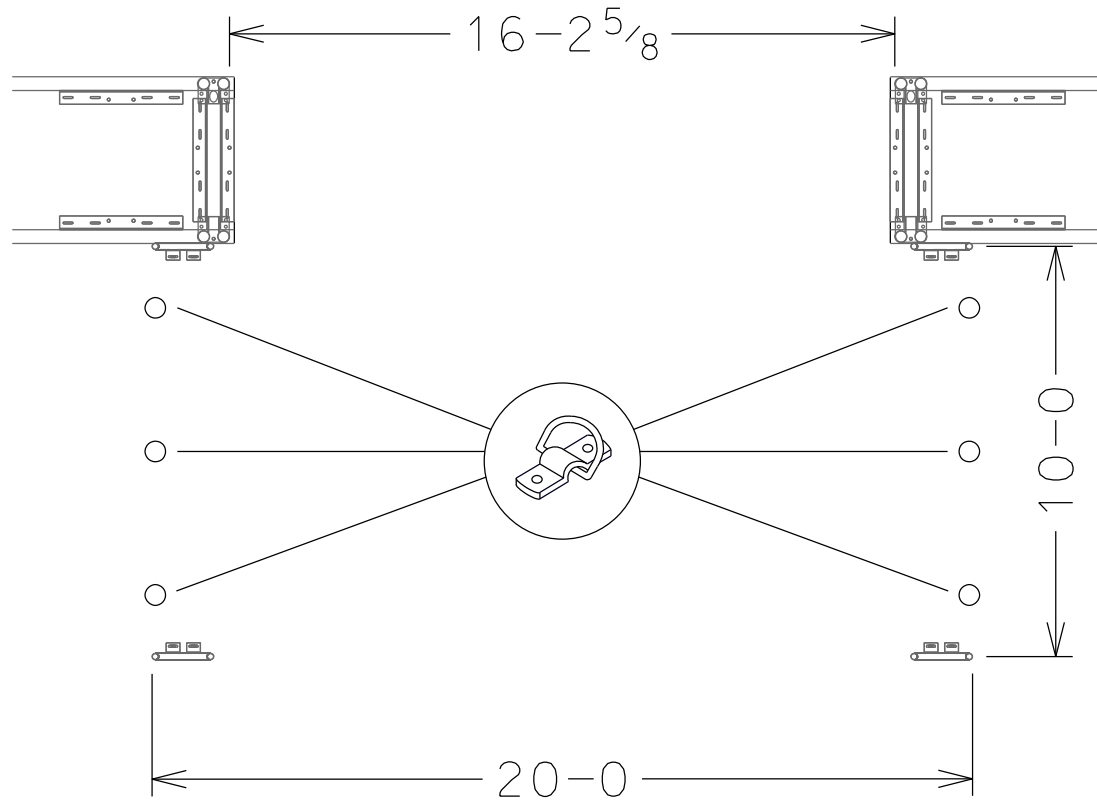
Proposal Drawings  
P-1.1  
\*NOTE: Vents /Fans  
Can Not Be Installed  
Above Personnel Doors.  
\*ALL INFORMATION IS PROPERTY  
OF BIG TOP MANUFACTURING LLC.



\*Compass for  
Visual  
Representation  
and May Not  
Accurately  
Reflect Actual  
Orientation Per  
Site.

Proposal Drawings -

Inside Looking Out



Note:  
Dimension Tolerance +/- 3"



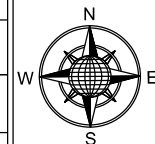
BIG TOP MANUFACTURING LLC.  
3255 US HIGHWAY 19 NORTH  
PERRY, FL 32347  
PH: (850) 584 - 7786  
Email: sales@bigtopusa.com  
www.bigtopusa.com

Zekelman Industries

Rochelle, IL

Power Supply: N/A  
SALES REPRESENTATIVE: Thomas H.  
CAD TECHNICIAN: \*\*\*  
DATE DRAWN: 6/15/2026  
APPROVED ON: \*

Proposal Drawings  
P-1.2  
\*NOTE: Vents /Fans  
Can Not Be Installed  
Above Personnel Doors.  
\*ALL INFORMATION IS PROPERTY  
OF BIG TOP MANUFACTURING LLC.



\*Compass for  
Visual  
Representation  
and May Not  
Accurately  
Reflect Actual  
Orientation Per  
Site.

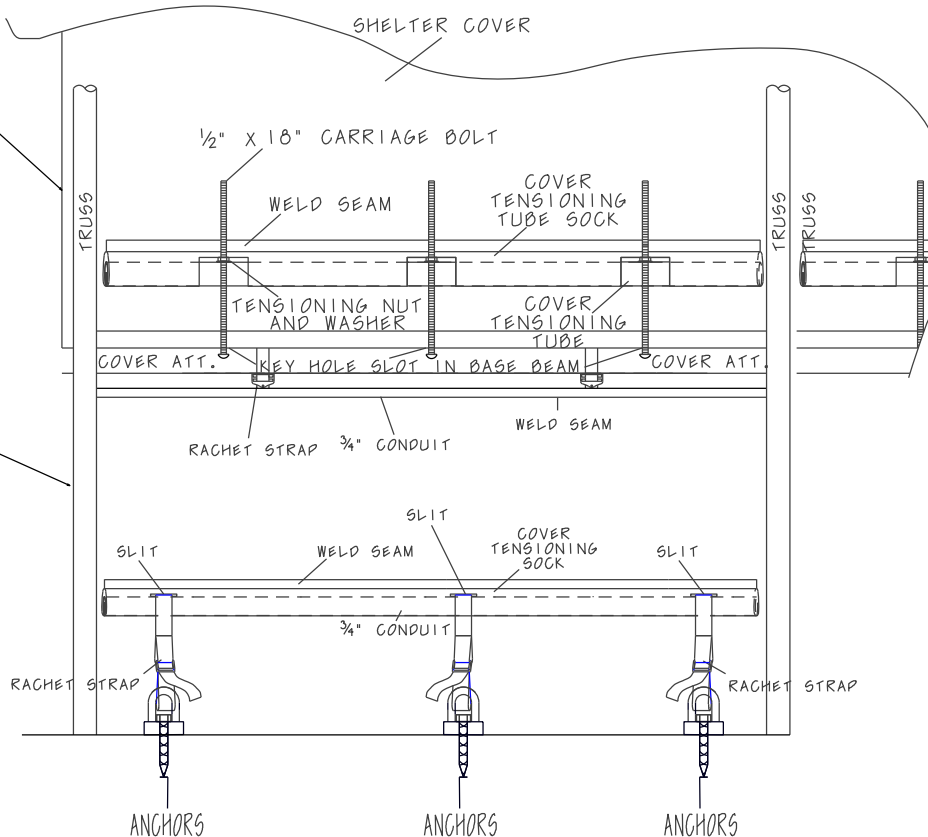
Proposal Drawings -

Inside Looking Out

ALL- THREAD COVER TENSIONING ALONG SIDE  
\*INSIDE LOOKING OUT\*

ORIGINAL COVER

REMOVABLE  
SIDE PANEL



Note:  
Dimension Tolerance +/- 3"



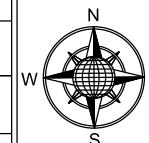
BIG TOP MANUFACTURING LLC.  
3255 US HIGHWAY 19 NORTH  
PERRY, FL 32347  
PH: (850) 584 - 7786  
Email:sales@bigtopusa.com  
www.bigtopusa.com

Zekelman Industries

Rochelle, IL

Power Supply: N/A  
SALES REPRESENTATIVE: Thomas H.  
CAD TECHNICIAN: \*\*\*  
DATE DRAWN: 6/15/2026  
APPROVED ON: \*

Proposal Drawings  
P-1.3  
\*NOTE: Vents /Fans  
Can Not Be Installed  
Above Personnel Doors.  
\*ALL INFORMATION IS PROPERTY  
OF BIG TOP MANUFACTURING LLC.



\*Compass for  
Visual  
Representation  
and May Not  
Accurately  
Reflect Actual  
Orientation Per  
Site.