



Midwest Paving Equipment, Inc.
 757 DuPage Blvd Suite 2387
 GLEN ELLYN, IL 60137 US
 (630) 453-0772

Midwest Paving Equipment, Inc.

Estimate

ADDRESS

City of Rochelle, Public Works
 251 East 1st Avenue
 Rochelle, IL 61068

SHIP TO

City of Rochelle, Public
 Works
 251 East 1st Avenue
 Rochelle, IL 61068

ESTIMATE # 1685

DATE 10/31/2023

EXPIRATION DATE 11/30/2023

ACTIVITY	QTY	RATE	AMOUNT
5D2TT 2-Ton Falcon Asphalt Recycler & Hot Box Trailer 12-Volt Battery Triple Wall Construction and Fully Insulated Automatic Temperature Control Diesel Burner VIP Technology - Voltage Indicator and Protector Controller Automatically Prevents Burner(s) from Operating Below Burner Manufacturer's Required Voltage One-Piece, Seamless Ceramic Combustion Chamber Independently Certified 92% Fuel Efficiency Diamond Tread Plate Hopper Access Platform Electric Brakes w/ Safety Breakaway Conspicuity Tape Included Options: Battery Charger Package Single diesel burner Dump Box (12-Volt Electric Over Hydraulic) (POWER UP & POWER DOWN) Tandem Axle Trailer Frame - 2" x 6" x 1/4" Tubular Steel Standard frame – 16' Falcon Smart Control package includes: VIP, 7-day timer, fuel level gauge, hour meter, voltmeter, and temperature gauge LED Lighting Upgrade - Two Red Stop/Tail/Turn Lights and One Amber Strobe Per Side Night Work Lights - LED Strobe Warning Light Upgrade to ST235/80R 16" Tires - Load Range E	1	33,967.00	33,967.00

ACTIVITY	QTY	RATE	AMOUNT
Tool Holder - 3-Positions Release agent basket			
Paint Color Falcon Red, Falcon Orange, Falcon Yellow, or Black	1	0.00	0.00
Trailer Plug Specify One (RV plug Round Plug 7 Flat pins) (Semi Plug round Plug 7 round Pins) (Cole Hersey Round Plug 6 Round Pins)	1	0.00	0.00
Freight Midland, MI to Rochelle, IL	1	1,131.00	1,131.00
Warranty Two Year Factory, Lifetime Frame Warranty	1	0.00	0.00
Falcon CCMFG 5 Year Combustion Chamber Maintenance Free Guaranty	1	0.00	0.00
Manual Operator, Parts and Service Manual (Electronic)	1	0.00	0.00
Training On-site Operation and Service Training	1	0.00	0.00
			Subtotal: 35,098.00
Options	1	0.00	0.00
NJP1099A Shovel Clip (Stainless Steel) (PAIR Mounted Curbside Hopper Angled Wall)	1	184.00	184.00
NJP0099I Unloading Door Shovel Pocket (2 total)	1	415.00	415.00
NJP0099Z Curbside Filler Plate	2	190.00	380.00
NJP0A99 Electric Hitch Jack	1	260.00	260.00

*** Prices are Reflective of PCA Contract # PCA OD-362-22
 ***Leadtime is currently 90 days this will be confirmed or adjusted at time of order.

SUBTOTAL	36,337.00
TAX	0.00
TOTAL	\$36,337.00

Accepted By

Accepted Date



2 TON ASPHALT HOT BOX AND RECYCLER

STANDARD:

- Battery charger package
- Automatic temperature control
- VIP technology
- One piece ceramic combustion chamber (diesel)
- Diamond tread plate hopper access platform
- Heated shoveling platform
- 12 volt deep cycle batteries
- Conspicuity tape

OPTIONS:

- Hydraulic dump function
- Hydraulic loading and unloading doors
- LED light upgrades including LED arrow board
- 30 gallon tack tank with spray system and hose reel
- Basket for mounting compactor
- Wash-down system
- 24-hour or 7-day timer
- Short frame - 14'
- XL frame - 18', 20'
- Electric overnight heat
- Hoist - manual or electric
- Tire upgrade
- Propane torch with bracket
- Other customizable options available

Falcon hot boxes and recyclers give you unparalleled **versatility**. You can **transport cold mix**, keeping it warm during the winter months and making it easier to work with; you can **transport hot mix and keep it hot all day**; and you can **hold hot mix overnight**, keeping it warm for up to 48 hours. You can also **reclaim unused hot mix**, eliminating the waste of good material, and you can **recycle asphalt chunks and millings**. All of this makes Falcon the most versatile machine you can buy for pavement preservation.

All Falcon machines are built with pride in Michigan and come with the following standard features: **patented heat management system** featuring a 5-year maintenance-free combustion chamber, **large unloading door** for easy access, **patented VIP system** to eliminate damage from low voltage, a **2-year machine warranty and lifetime frame warranty**, an emphasis on **curbside safety** and easy platform work surfaces, and a durable and **reliable dump system**.

THE FALCON ADVANTAGE



Large Unloading Door For Easy Access



Patented Heat Management System



Platform For Safe, Easy Hopper Access



Patented VIP - Low Voltage Shutdown



Dump System - Pivot Point & V-Body



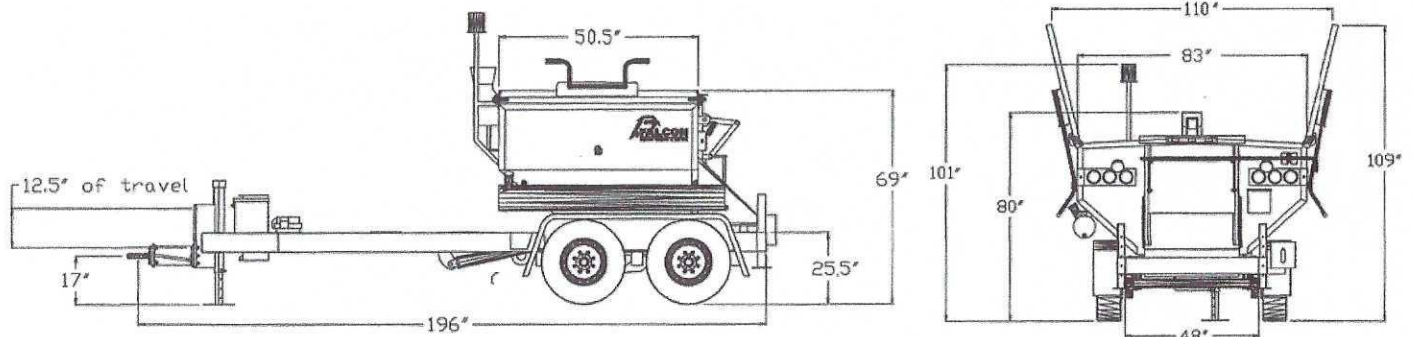
Lifetime Frame Warranty

Falcon Asphalt Repair Equipment
2600 W. Salzburg Rd.
Freeland, MI 48623
sales@falconrme.com

Phone: (989) 495-9332
Fax: (989) 495-9342
www.falconrme.com

WWW.FALCONRME.COM

2 TON ASPHALT HOT BOX AND RECYCLER



Type	2 Ton Trailer
Capacity	4,000 lbs of material
Base Weight	3,350 lbs
Weight loaded with material	7,350 lbs
GVWR	7,000 lbs (Dump box): 9,810 lbs
Fuel Source	Diesel
Fuel Capacity	15 gallons for dump box - 18 gallons on fixed trailer
Burner Type	105,000 BTU Diesel Beckett burner w/electronic spark ignite
Number of burners	1
Unloading door	Insulated guillotine, 16"Hx33" W
Loading doors	Manual 50"L x 41"W
Hopper opening	110" - doors open
Width	83"
Length	16'
Height	69"
Construction	Triple wall insulated – air jacketed 10 gauge capping channel and corner molding (adds structural integrity) Hopper floor heated – ¼" steel Wiring is external to hopper
Axles	Double eye leaf springs, Single axle - Tandem axle on dump box
Tires	8-bolt wheels w/9x16" tires
Brakes	4 wheel electric brakes with safety breakaway
Hitch	Pintle eye
Paint	Blasted and painted with two coats of epoxy primer and urethane finish
Frame	Tubular steel frame with boxed-in and enclosed gussets
Asphalt repair areas	9'x9'x4" depth (80 potholes 1'x1'x4" depth)
Warranty	Two year machine warranty, lifetime frame warranty

Falcon Asphalt Repair Equipment
2600 W. Salzburg Rd.
Freeland, MI 48623
sales@falconrme.com

Phone: (989) 495-9332
Fax: (989) 495-9342
www.falconrme.com

WWW.FALCONRME.COM