



---

*Rio Dell City Hall  
675 Wildwood Avenue  
Rio Dell, CA 95562  
(707) 764-3532  
cityofriodell.ca.gov*

September 5, 2023

TO: Rio Dell City Council

FROM: Kyle Knopp, City Manager

SUBJECT: Discussion and Possible Action Regarding Issuance of Request for Proposal for Gateway Outdoor Exercise Equipment

IT IS RECOMMENDED THAT THE CITY COUNCIL:

Provide direction to staff and authorize the City Manager to finalize and issue the RFP.

BACKGROUND AND DISCUSSION

The City was previously awarded \$197,870 for the Gateway Enhancement project through the Clean California Program. Deliverables for the project include a 3-piece outdoor exercise station, upgrading the Gateway's irrigation system and the installation of 123 trees.

This item covers the exercise station.

The Ad Hoc Committee of Mayor Garnes and Mayor Pro Tem Carter have selected the following four pieces of outdoor equipment:

- Hand Cyler - \$4,253
- Squat Press - \$7,791
- Pull Up bars - \$3,308
- Ab Crunch - \$ 3,214

With the associated anchoring poles, the total equipment cost is \$20,750. The City plans to buy the equipment directly and have it installed separately. If the budget does not allow for four units, the Squat Press can be eliminated. Also, the City Manager has applied for two grants to help supplement the project. A \$5,000 grant from PG&E the city is likely to be awarded. Also, a \$20,750 grant application was submitted to Coast Central Credit Union for the equipment purchase. The City will know if that grant is awarded by the end of October.

The City is also working with Greenway Partners to develop the site plan for ADA accessibility and compliance with fall zones. At the time of publication we do not have the final designs but

they are expected soon. Staff is recommending that the Council review the attached documents and authorize the City Manager to issue an RFP once the design schematic is finalized.

Attached are images of the proposed equipment and layout for the north side of Memorial Park.

///



Ab Crunch



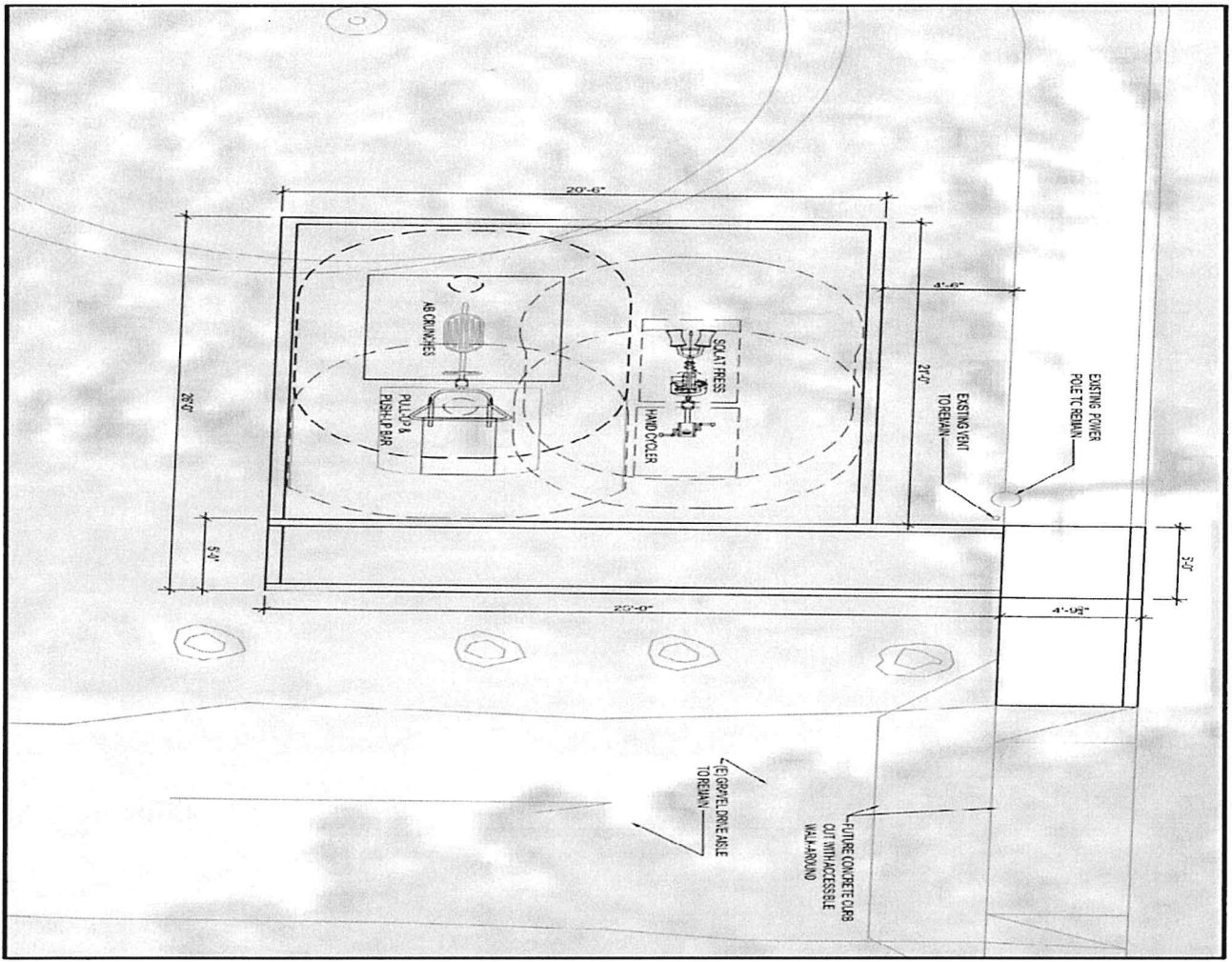
Hand Cyclor



Pull Up and Dip

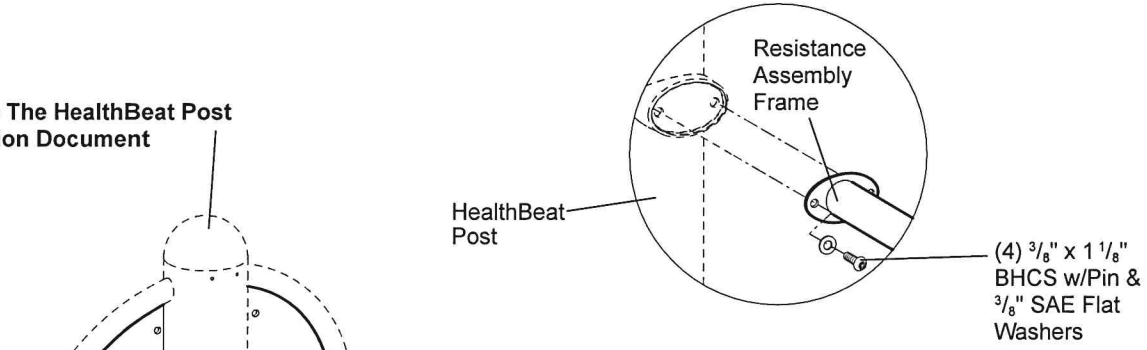


Squat Press

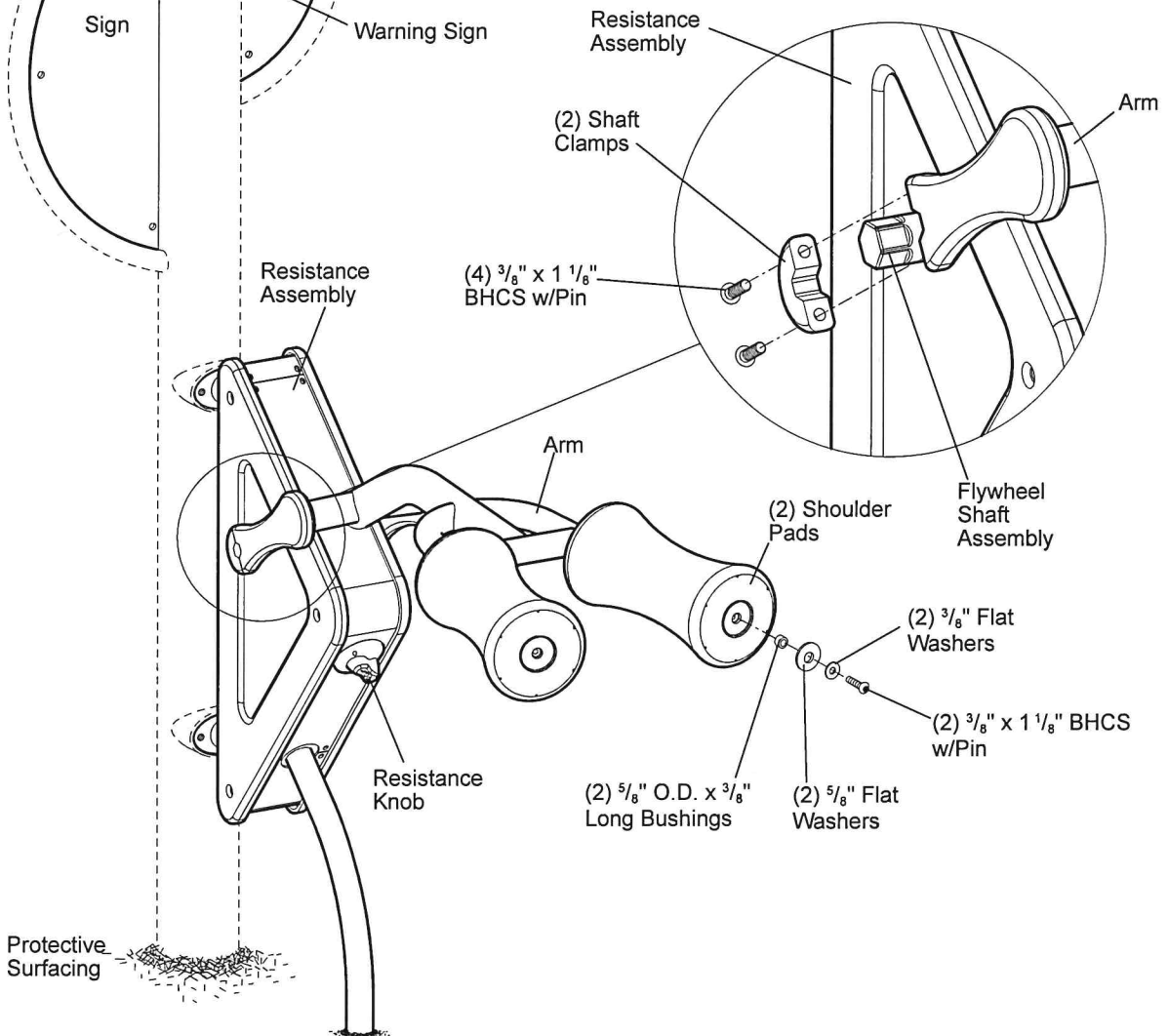


**DETAIL  
RESISTANCE ASSEMBLY  
ATTACHMENT**

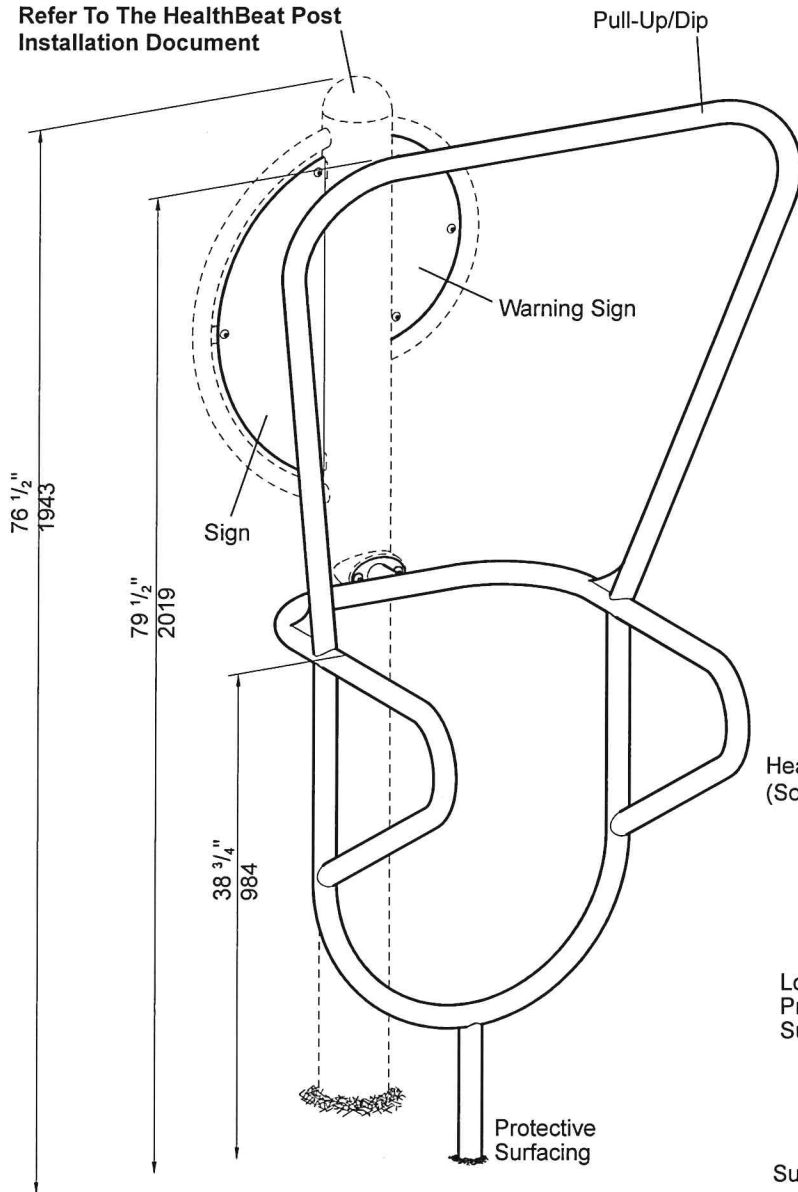
Refer To The HealthBeat Post Installation Document



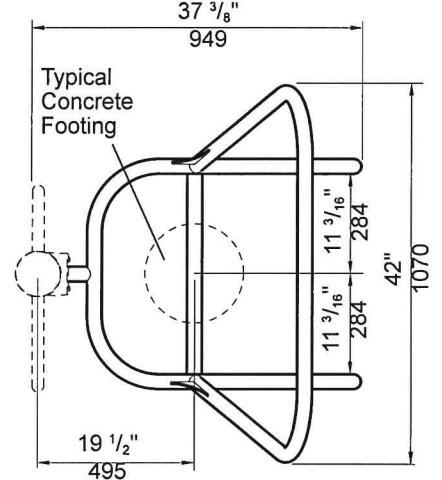
**DETAIL  
ARM ATTACHMENT**



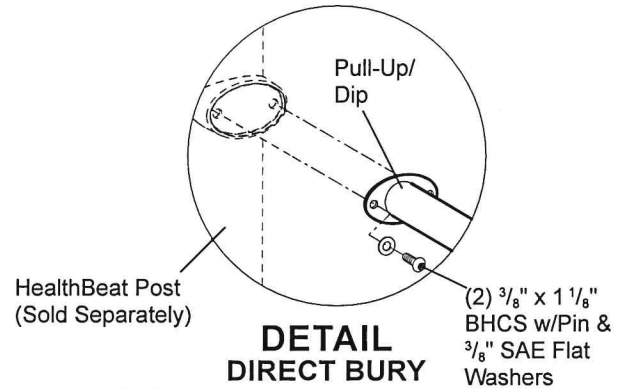
Refer To The HealthBeat Post Installation Document



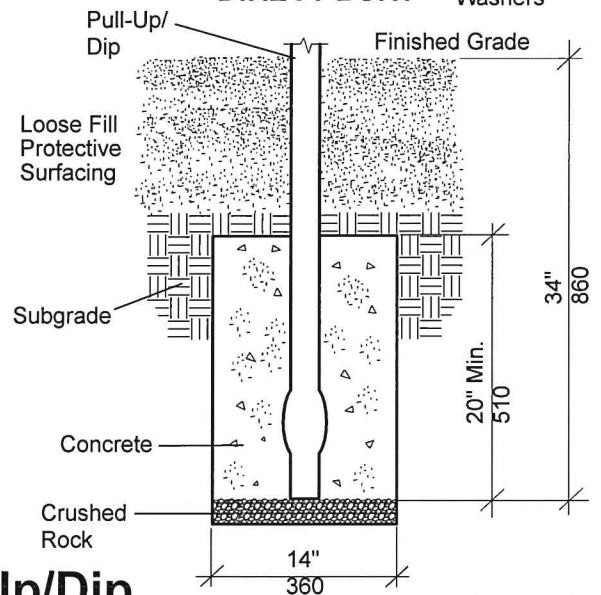
**DETAIL  
PLAN VIEW**



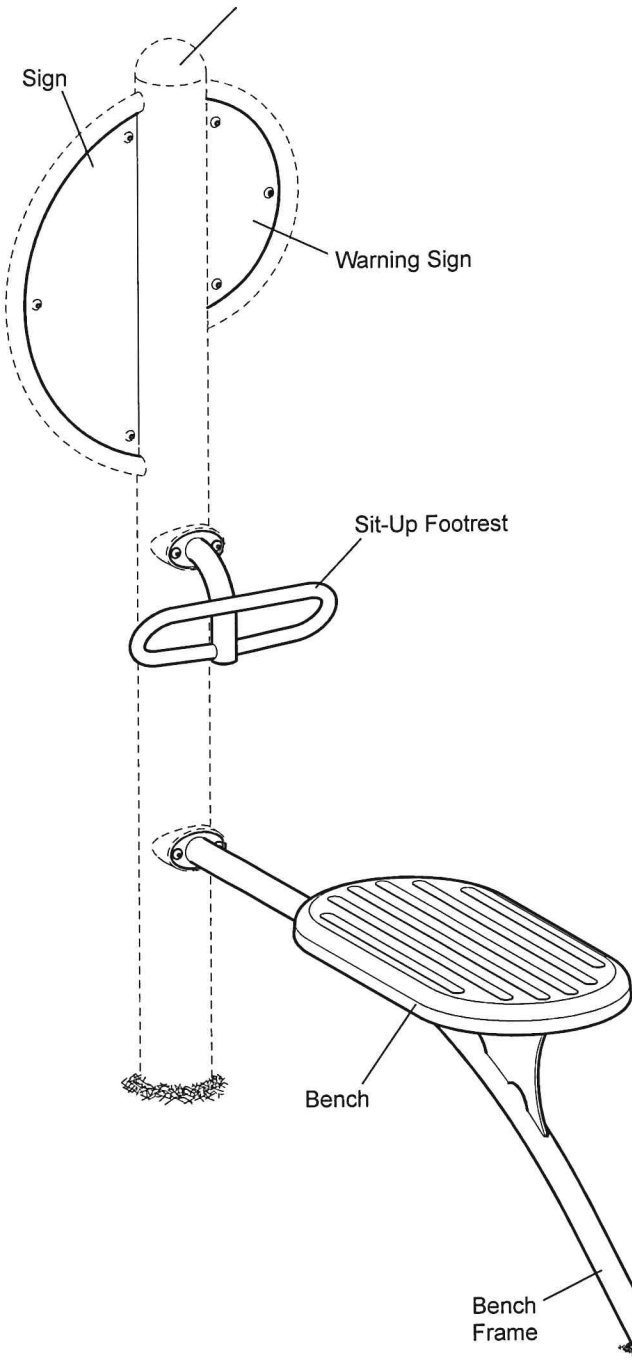
**DETAIL  
PULL-UP/DIP  
ATTACHMENT**



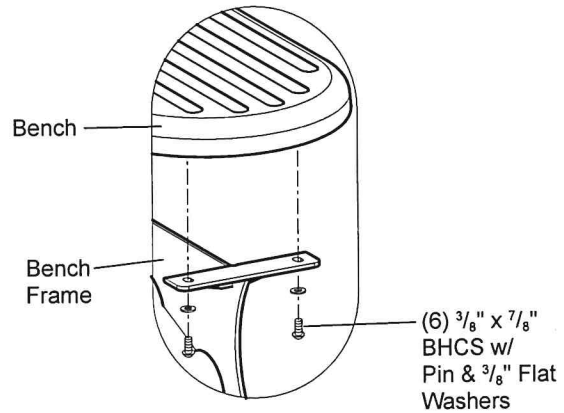
**DETAIL  
DIRECT BURY**



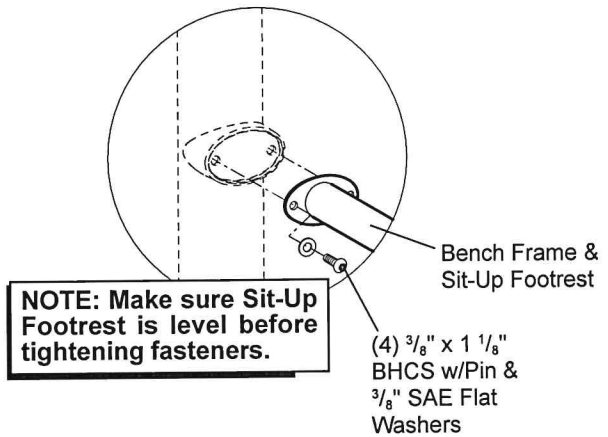
Refer To The HealthBeat Post Installation Document



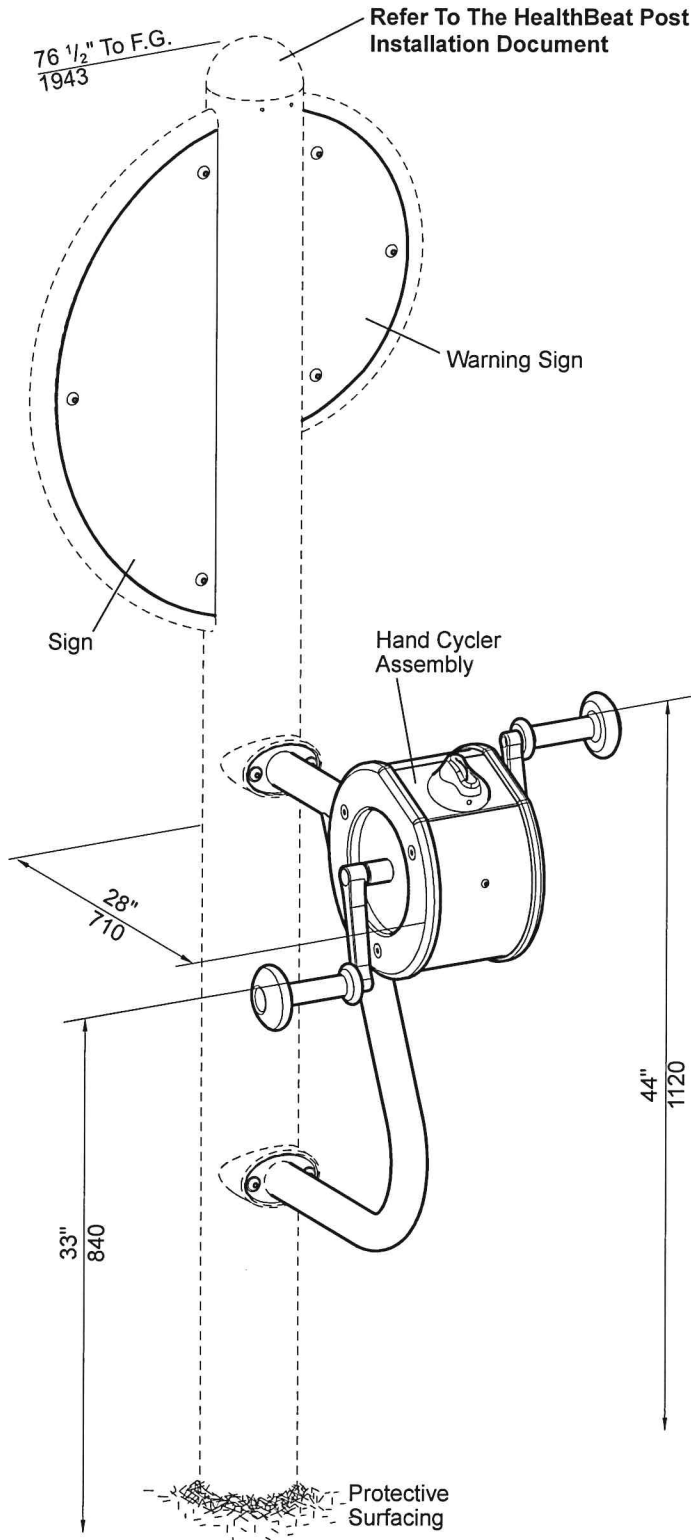
**DETAIL  
BENCH ATTACHMENT**



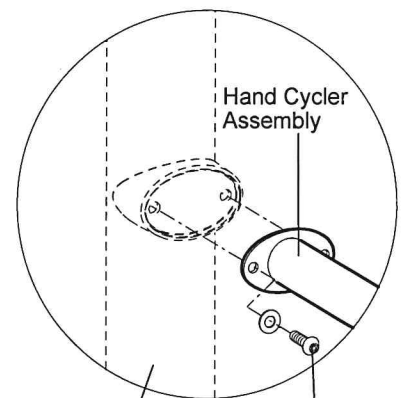
**DETAIL  
BENCH FRAME/FOOT REST ATTACHMENT**







**DETAIL  
HAND CYCLER ASSEMBLY  
ATTACHMENT**



Refer To The HealthBeat Post Installation Document

(4) 3/8" x 1 1/8" BHCS w/Pin & 3/8" SAE Flat Washers