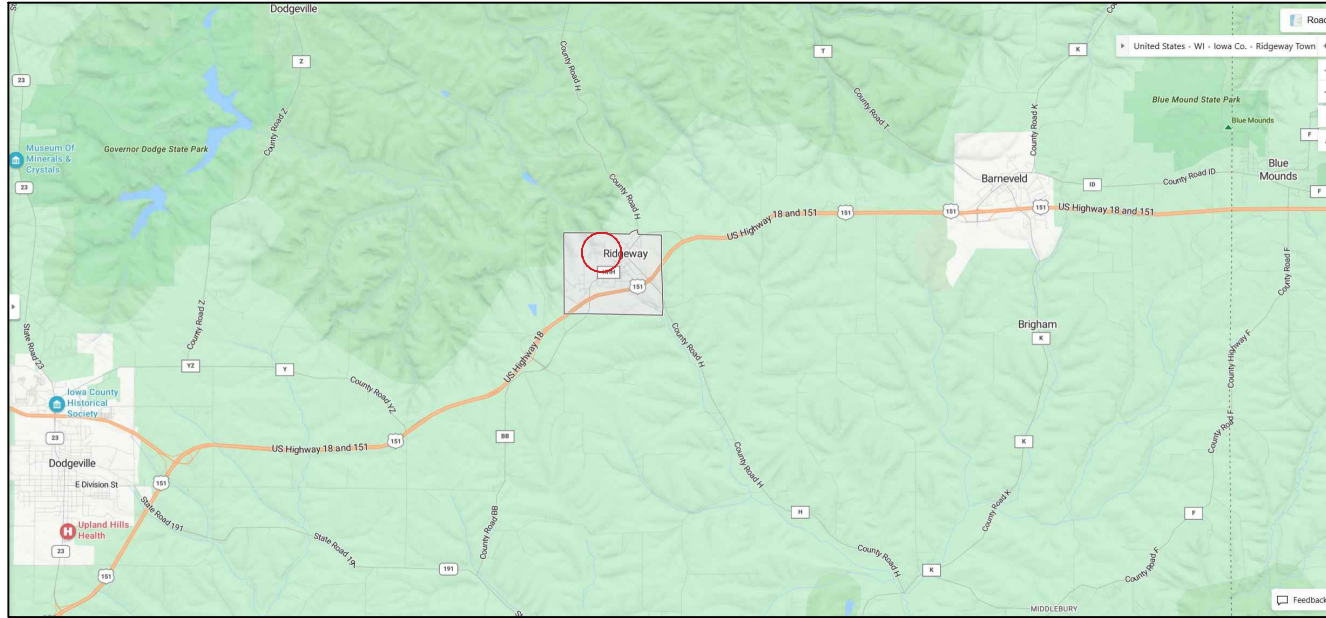


PROJECT LOCATION MAP



PROJECT ADDRESS:
A. HUGHETTE ROAD

NTS

INDEX TO DRAWINGS	
T100	TITLE SHEET
C100	SITE LAYOUT PLAN - OVERVIEW
C101	SITE LAYOUT PLAN - DEPOT AREA
C102	SITE LAYOUT PLAN - DIAMOND DRAINAGE AREA
C103	SITE LAYOUT PLAN - NORTH PARKING AREA
C104	SITE GRADING PLAN - DEPOT AREA
C900	CONSTRUCTION DETAILS
C901	CONSTRUCTION DETAILS
C902	CONSTRUCTION DETAILS
C903	CONSTRUCTION DETAILS

DRAFT

RIDGEWAY COMMUNITY PARK
VILLAGE OF RIDGEWAY
RIDGEWAY, WISCONSIN
 PROJECT NUMBER 22.055



Project Name:
COMMUNITY PARK IMPROVEMENTS
HUGHETTE ROAD
RIDGEWAY, WI 53582
 Sheet Title:
TITLE SHEET

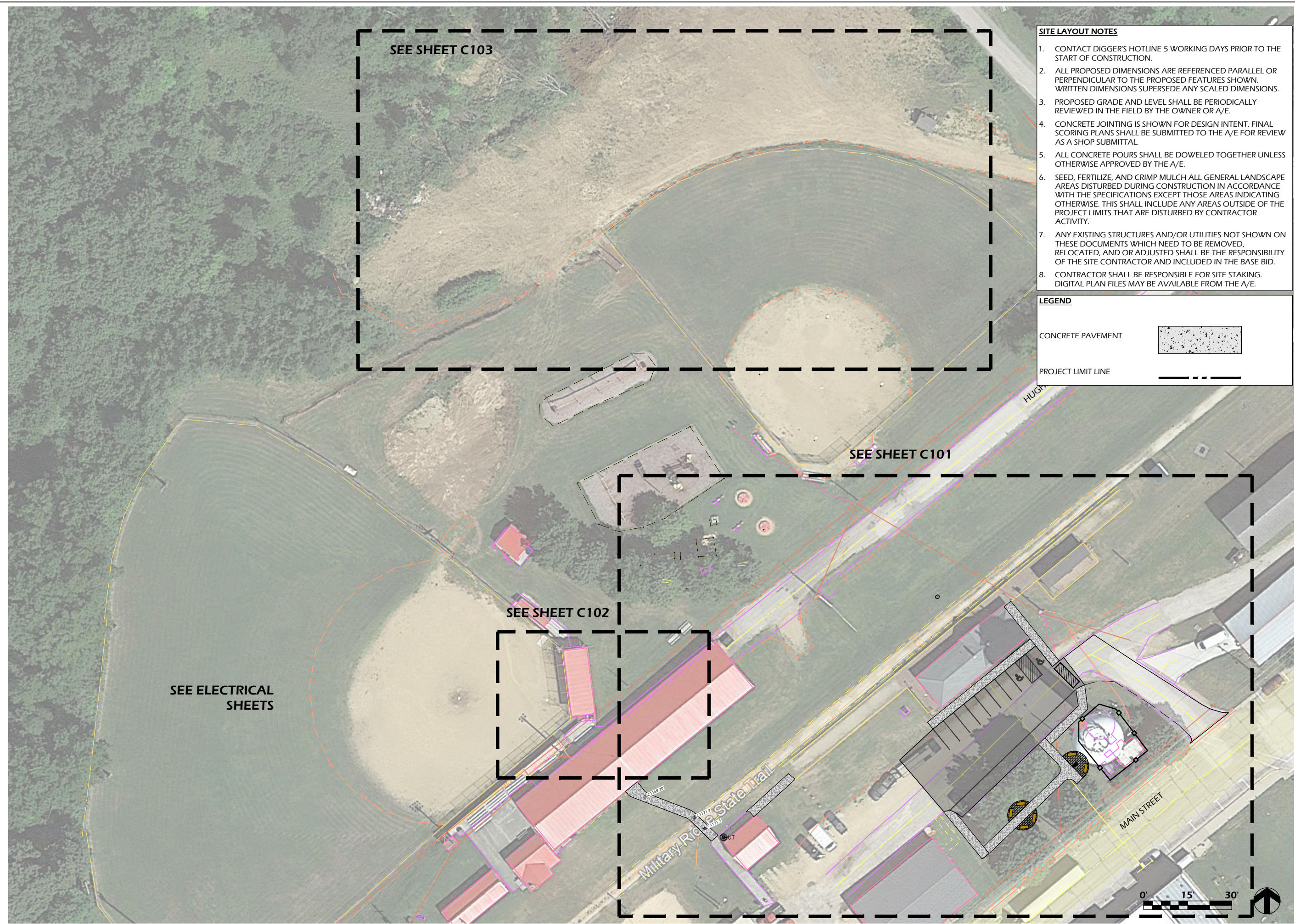
Revisions:

--	--

Project #: 22.055
 Issued For: REVIEW
 Date: 07/11/2023

Sheet Number
T100

File: P:\22.055 Ridgeway Park\CAD\P-SP.dwg Layout: C100 User: katie Plotted: Jul 10, 2023 1:08am



SITE LAYOUT NOTES

1. CONTACT DIGGER'S HOTLINE 5 WORKING DAYS PRIOR TO THE START OF CONSTRUCTION.
2. ALL PROPOSED DIMENSIONS ARE REFERENCED PARALLEL OR PERPENDICULAR TO THE PROPOSED FEATURES SHOWN. WRITTEN DIMENSIONS SUPERSEDE ANY SCALED DIMENSIONS.
3. PROPOSED GRADE AND LEVEL SHALL BE PERIODICALLY REVIEWED IN THE FIELD BY THE OWNER OR A/E.
4. CONCRETE JOINTING IS SHOWN FOR DESIGN INTENT. FINAL SCORING PLANS SHALL BE SUBMITTED TO THE A/E FOR REVIEW AS A SHOP SUBMITTAL.
5. ALL CONCRETE POURS SHALL BE DOWELED TOGETHER UNLESS OTHERWISE APPROVED BY THE A/E.
6. SEED, FERTILIZE, AND CRIMP MULCH ALL GENERAL LANDSCAPE AREAS DISTURBED DURING CONSTRUCTION IN ACCORDANCE WITH THE SPECIFICATIONS EXCEPT THOSE AREAS INDICATING OTHERWISE. THIS SHALL INCLUDE ANY AREAS OUTSIDE OF THE PROJECT LIMITS THAT ARE DISTURBED BY CONTRACTOR ACTIVITY.
7. ANY EXISTING STRUCTURES AND/OR UTILITIES NOT SHOWN ON THESE DOCUMENTS WHICH NEED TO BE REMOVED, RELOCATED, AND OR ADJUSTED SHALL BE THE RESPONSIBILITY OF THE SITE CONTRACTOR AND INCLUDED IN THE BASE BID.
8. CONTRACTOR SHALL BE RESPONSIBLE FOR SITE STAKING. DIGITAL PLAN FILES MAY BE AVAILABLE FROM THE A/E.

LEGEND

- CONCRETE PAVEMENT 
- PROJECT LIMIT LINE 

COMMUNITY PARK IMPROVEMENTS

HUGHETTE ROAD
 RIDGEWAY, WI 53582

SITE LAYOUT PLAN - OVERVIEW

Project Name:

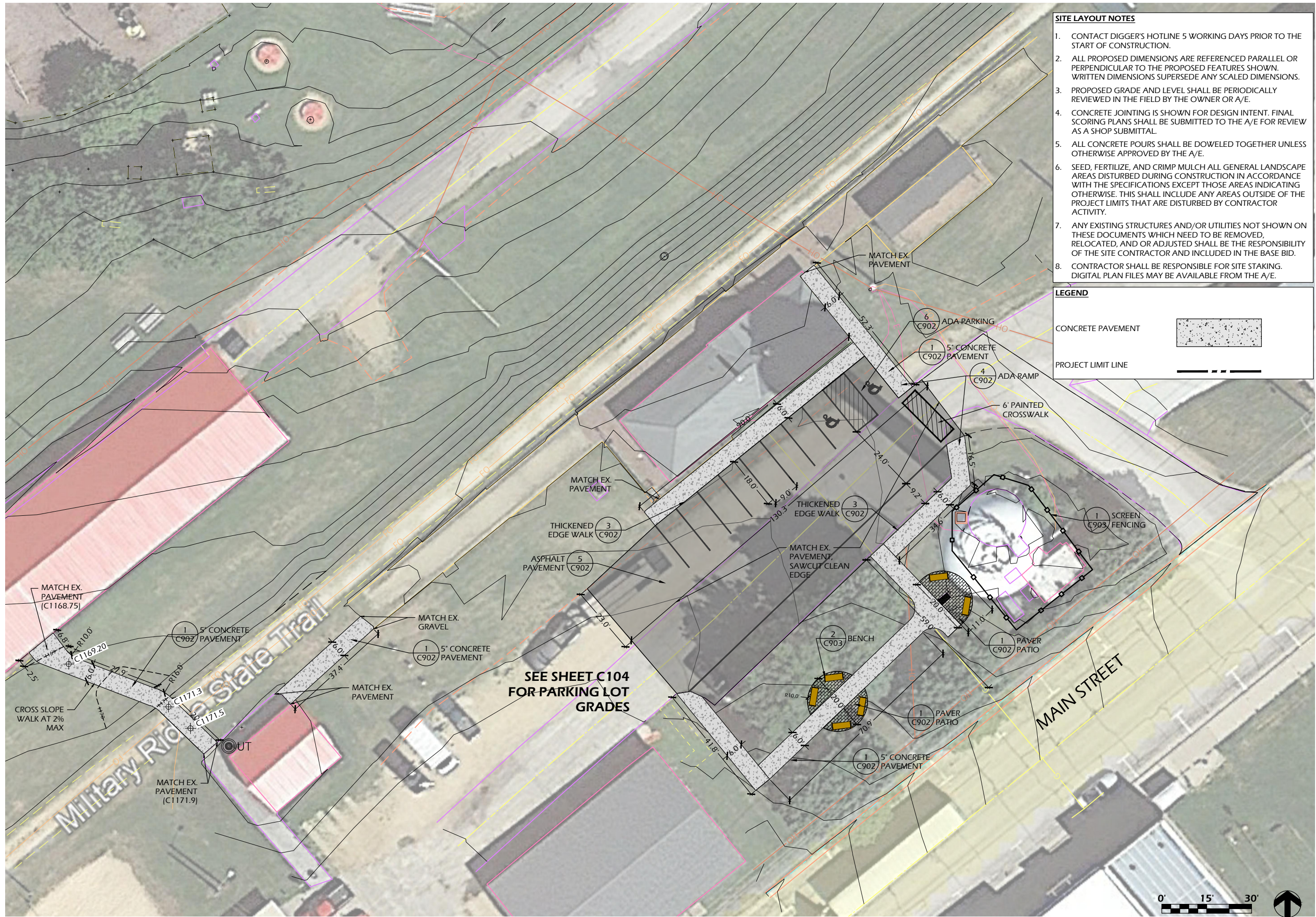
Revisions:

Project #: 22.055
 Issued For: REVIEW
 Date: 07/11/2023

Sheet Number

C100

File: P:\22.055 Ridgeway Park\CAD\P-SP.dwg Layout: C101 User: katie Plotted: Jul 10, 2023 1:08am



- SITE LAYOUT NOTES**
- CONTACT DIGGER'S HOTLINE 5 WORKING DAYS PRIOR TO THE START OF CONSTRUCTION.
 - ALL PROPOSED DIMENSIONS ARE REFERENCED PARALLEL OR PERPENDICULAR TO THE PROPOSED FEATURES SHOWN. WRITTEN DIMENSIONS SUPERSEDE ANY SCALED DIMENSIONS.
 - PROPOSED GRADE AND LEVEL SHALL BE PERIODICALLY REVIEWED IN THE FIELD BY THE OWNER OR A/E.
 - CONCRETE JOINTING IS SHOWN FOR DESIGN INTENT. FINAL SCORING PLANS SHALL BE SUBMITTED TO THE A/E FOR REVIEW AS A SHOP SUBMITTAL.
 - ALL CONCRETE POURS SHALL BE DOWELED TOGETHER UNLESS OTHERWISE APPROVED BY THE A/E.
 - SEED, FERTILIZE, AND CRIMP MULCH ALL GENERAL LANDSCAPE AREAS DISTURBED DURING CONSTRUCTION IN ACCORDANCE WITH THE SPECIFICATIONS EXCEPT THOSE AREAS INDICATING OTHERWISE. THIS SHALL INCLUDE ANY AREAS OUTSIDE OF THE PROJECT LIMITS THAT ARE DISTURBED BY CONTRACTOR ACTIVITY.
 - ANY EXISTING STRUCTURES AND/OR UTILITIES NOT SHOWN ON THESE DOCUMENTS WHICH NEED TO BE REMOVED, RELOCATED, AND OR ADJUSTED SHALL BE THE RESPONSIBILITY OF THE SITE CONTRACTOR AND INCLUDED IN THE BASE BID.
 - CONTRACTOR SHALL BE RESPONSIBLE FOR SITE STAKING. DIGITAL PLAN FILES MAY BE AVAILABLE FROM THE A/E.

LEGEND

CONCRETE PAVEMENT

PROJECT LIMIT LINE

Project Name:	COMMUNITY PARK IMPROVEMENTS
Project #:	22.055
Issued For:	REVIEW
Date:	07/11/2023
Sheet Title:	SITE LAYOUT PLAN - DEPOT AREA
Revisions:	
Sheet Number:	C101



SITE LAYOUT NOTES

1. CONTACT DIGGER'S HOTLINE 5 WORKING DAYS PRIOR TO THE START OF CONSTRUCTION.
2. ALL PROPOSED DIMENSIONS ARE REFERENCED PARALLEL OR PERPENDICULAR TO THE PROPOSED FEATURES SHOWN. WRITTEN DIMENSIONS SUPERSEDE ANY SCALED DIMENSIONS.
3. PROPOSED GRADE AND LEVEL SHALL BE PERIODICALLY REVIEWED IN THE FIELD BY THE OWNER OR A/E.
4. CONCRETE JOINTING IS SHOWN FOR DESIGN INTENT. FINAL SCORING PLANS SHALL BE SUBMITTED TO THE A/E FOR REVIEW AS A SHOP SUBMITTAL.
5. ALL CONCRETE POURS SHALL BE DOWELED TOGETHER UNLESS OTHERWISE APPROVED BY THE A/E.
6. SEED, FERTILIZE, AND CRIMP MULCH ALL GENERAL LANDSCAPE AREAS DISTURBED DURING CONSTRUCTION IN ACCORDANCE WITH THE SPECIFICATIONS EXCEPT THOSE AREAS INDICATING OTHERWISE. THIS SHALL INCLUDE ANY AREAS OUTSIDE OF THE PROJECT LIMITS THAT ARE DISTURBED BY CONTRACTOR ACTIVITY.
7. ANY EXISTING STRUCTURES AND/OR UTILITIES NOT SHOWN ON THESE DOCUMENTS WHICH NEED TO BE REMOVED, RELOCATED, AND OR ADJUSTED SHALL BE THE RESPONSIBILITY OF THE SITE CONTRACTOR AND INCLUDED IN THE BASE BID.
8. CONTRACTOR SHALL BE RESPONSIBLE FOR SITE STAKING. DIGITAL PLAN FILES MAY BE AVAILABLE FROM THE A/E.

LEGEND

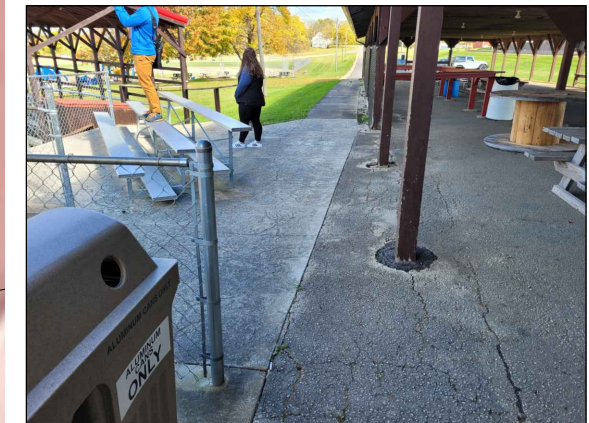
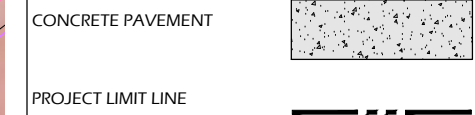


IMAGE 1

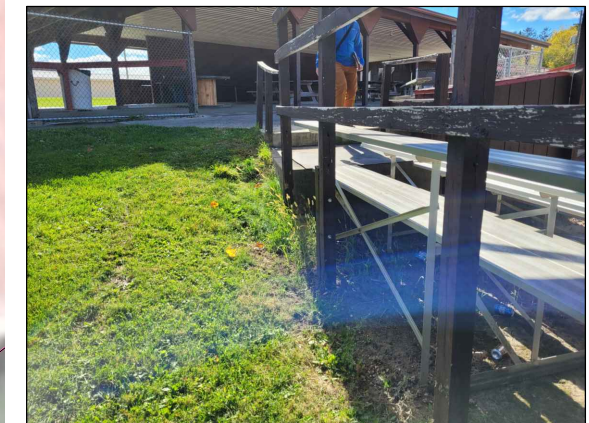


IMAGE 2



COMMUNITY PARK IMPROVEMENTS

**HUGHETTE ROAD
 RIDGWAY, WI 53582**

SITE LAYOUT PLAN - DIAMOND DRAINAGE AREA

Project Name:

Revisions:

Project #: 22.055
 Issued For: REVIEW
 Date: 07/11/2023

Sheet Number

C102



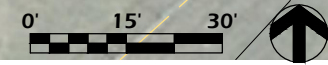
IMAGE 3



IMAGE 4

SITE LAYOUT NOTES

1. CONTACT DIGGER'S HOTLINE 5 WORKING DAYS PRIOR TO THE START OF CONSTRUCTION.
2. ALL PROPOSED DIMENSIONS ARE REFERENCED PARALLEL OR PERPENDICULAR TO THE PROPOSED FEATURES SHOWN. WRITTEN DIMENSIONS SUPERSEDE ANY SCALED DIMENSIONS.
3. PROPOSED GRADE AND LEVEL SHALL BE PERIODICALLY REVIEWED IN THE FIELD BY THE OWNER OR A/E.
4. CONCRETE JOINTING IS SHOWN FOR DESIGN INTENT. FINAL SCORING PLANS SHALL BE SUBMITTED TO THE A/E FOR REVIEW AS A SHOP SUBMITTAL.
5. ALL CONCRETE POURS SHALL BE DOWELED TOGETHER UNLESS OTHERWISE APPROVED BY THE A/E.
6. SEED, FERTILIZE, AND CRIMP MULCH ALL GENERAL LANDSCAPE AREAS DISTURBED DURING CONSTRUCTION IN ACCORDANCE WITH THE SPECIFICATIONS EXCEPT THOSE AREAS INDICATING OTHERWISE. THIS SHALL INCLUDE ANY AREAS OUTSIDE OF THE PROJECT LIMITS THAT ARE DISTURBED BY CONTRACTOR ACTIVITY.
7. ANY EXISTING STRUCTURES AND/OR UTILITIES NOT SHOWN ON THESE DOCUMENTS WHICH NEED TO BE REMOVED, RELOCATED, AND OR ADJUSTED SHALL BE THE RESPONSIBILITY OF THE SITE CONTRACTOR AND INCLUDED IN THE BASE BID.
8. CONTRACTOR SHALL BE RESPONSIBLE FOR SITE STAKING. DIGITAL PLAN FILES MAY BE AVAILABLE FROM THE A/E.



File: P:\22.055 Ridgeway Park\CAD\P-SP.dwg Layout: C103 User: katie Plotted: Jul 10, 2023 1:12am

COMMUNITY PARK IMPROVEMENTS

HUGHETTE ROAD
 RIDGEWAY, WI 53582

SITE LAYOUT PLAN - NORTH PARKING LOT

Project Name:

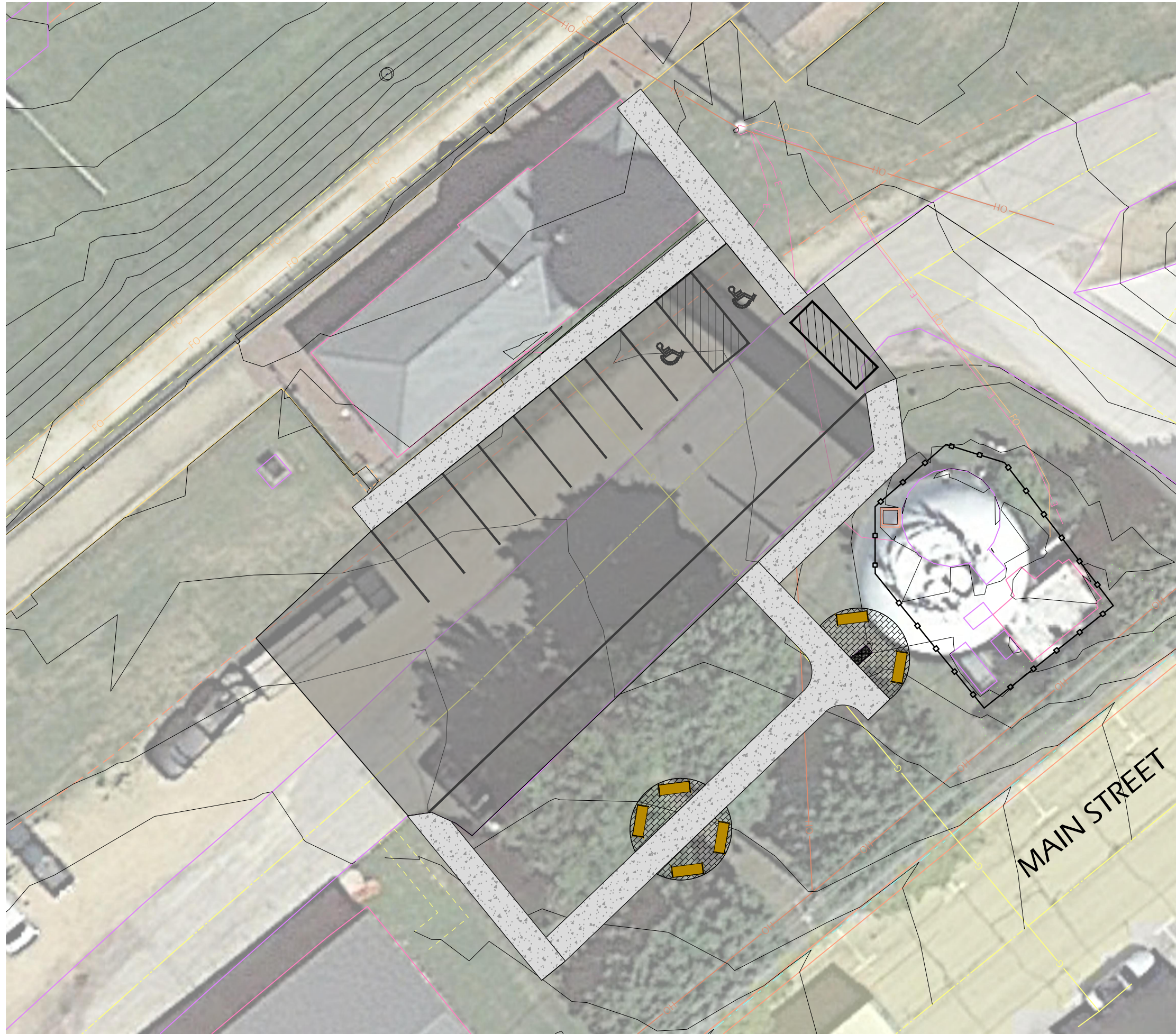
Revisions:

Project #: 22.055
 Issued For: REVIEW
 Date: 07/11/2023

Sheet Number

C103

File: P:\22.055 Ridgeway Park\CAD\P-SP.dwg Layout: C104 User: katie Plotted: Jul 10, 2023 1:13am

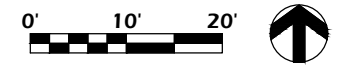


SITE LAYOUT NOTES

1. CONTACT DIGGER'S HOTLINE 5 WORKING DAYS PRIOR TO THE START OF CONSTRUCTION.
2. ALL PROPOSED DIMENSIONS ARE REFERENCED PARALLEL OR PERPENDICULAR TO THE PROPOSED FEATURES SHOWN. WRITTEN DIMENSIONS SUPERSEDE ANY SCALED DIMENSIONS.
3. PROPOSED GRADE AND LEVEL SHALL BE PERIODICALLY REVIEWED IN THE FIELD BY THE OWNER OR A/E.
4. CONCRETE JOINTING IS SHOWN FOR DESIGN INTENT. FINAL SCORING PLANS SHALL BE SUBMITTED TO THE A/E FOR REVIEW AS A SHOP SUBMITTAL.
5. ALL CONCRETE POURS SHALL BE DOWELED TOGETHER UNLESS OTHERWISE APPROVED BY THE A/E.
6. SEED, FERTILIZE, AND CRIMP MULCH ALL GENERAL LANDSCAPE AREAS DISTURBED DURING CONSTRUCTION IN ACCORDANCE WITH THE SPECIFICATIONS EXCEPT THOSE AREAS INDICATING OTHERWISE. THIS SHALL INCLUDE ANY AREAS OUTSIDE OF THE PROJECT LIMITS THAT ARE DISTURBED BY CONTRACTOR ACTIVITY.
7. ANY EXISTING STRUCTURES AND/OR UTILITIES NOT SHOWN ON THESE DOCUMENTS WHICH NEED TO BE REMOVED, RELOCATED, AND OR ADJUSTED SHALL BE THE RESPONSIBILITY OF THE SITE CONTRACTOR AND INCLUDED IN THE BASE BID.
8. CONTRACTOR SHALL BE RESPONSIBLE FOR SITE STAKING. DIGITAL PLAN FILES MAY BE AVAILABLE FROM THE A/E.

LEGEND

- CONCRETE PAVEMENT 
- PROJECT LIMIT LINE 



COMMUNITY PARK IMPROVEMENTS

HUGHETTE ROAD
RIDGWAY, WI 53582

SITE GRADING PLAN - DEPOT AREA

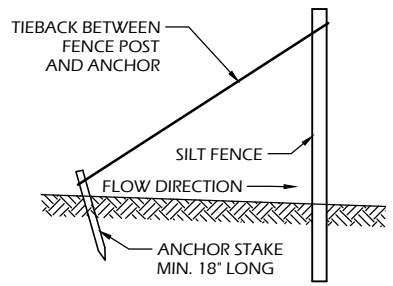
Project Name:

Revisions:

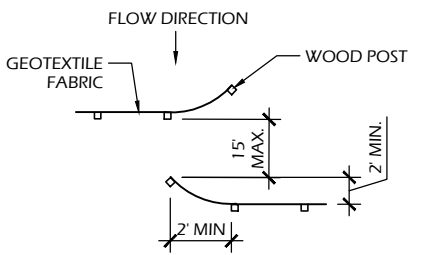
Project #: 22.055
Issued For: REVIEW
Date: 07/11/2023

Sheet Number

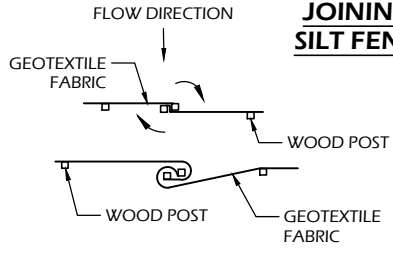
C104



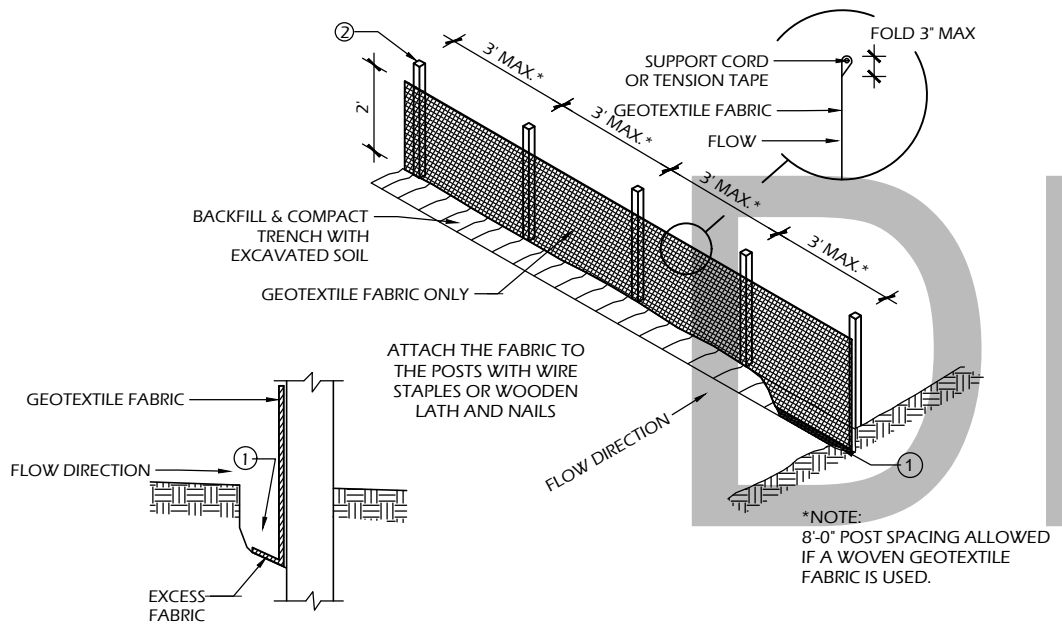
**SILT FENCE TIE BACK
(WHEN REQUIRED BY
THE ENGINEER)**



**JOINING TWO LENGTHS OF
SILT FENCE (HOOK METHOD)**



**JOINING TWO LENGTHS OF
SILT FENCE (TWIST METHOD)**

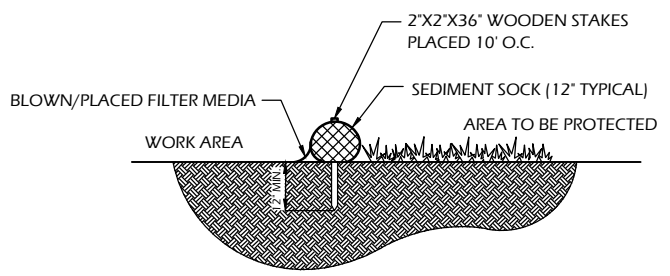


TRENCH DETAIL

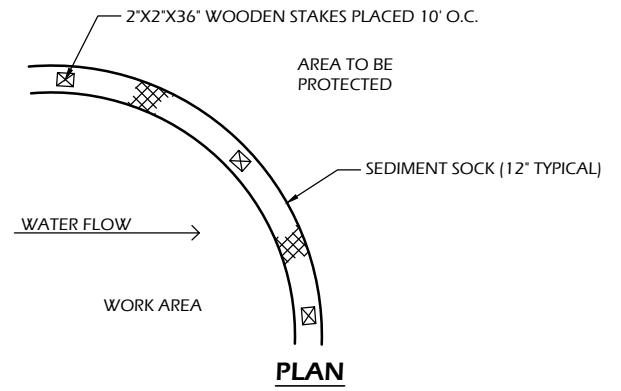
SILT FENCE

SILT FENCE GENERAL NOTES:

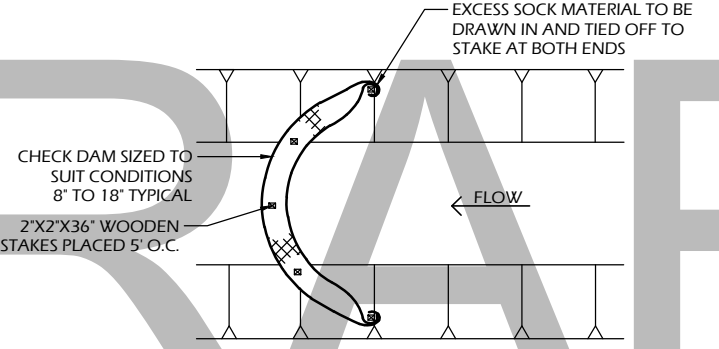
- FOR MANUAL INSTALLATIONS THE TRENCH SHALL BE A MINIMUM OF 4" WIDE & 6" DEEP TO BURY AND ANCHOR THE GEOTEXTILE FABRIC. FOLD MATERIAL TO FIT TRENCH AND BACKFILL & COMPACT TRENCH WITH EXCAVATED SOIL.
- WOOD POSTS SHALL BE A MINIMUM SIZE OF 3' LENGTH OF OAK OR HICKORY
- ADDITIONAL POST DEPTH OR TIE BACKS MAY BE REQUIRED IN UNSTABLE SOILS
- DETAILS OF CONSTRUCTION NOT SHOWN ON THIS DRAWING SHALL CONFORM TO THE PERTINENT REQUIREMENTS OF THE SPECIFICATIONS.
- 8" OF FENCE FABRIC REQUIRED BELOW GRADE IN TRENCH PER DNR TECH STD. 1056
- MANUFACTURED ALTERNATIVES APPROVED AND LISTED ON THE WisDOT PRODUCT ACCEPTABILITY LIST (PAL) MAY BE SUBSTITUTED.
- FINISHED SIZE, INCLUDING FLAP POCKETS WHERE REQUIRED, SHALL EXTEND A MINIMUM OF 10' AROUND THE PERIMETER TO FACILITATE MAINTENANCE OR REMOVAL.
- FLAP POCKETS SHALL BE LARGE ENOUGH TO ACCEPT WOOD 2"x4".



SECTION



PLAN

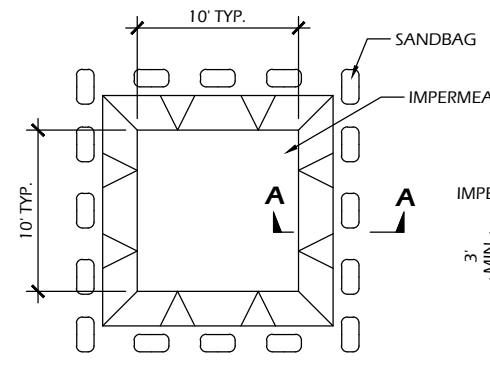


SEDIMENT SOCK

SEDIMENT SOCK NOTES:

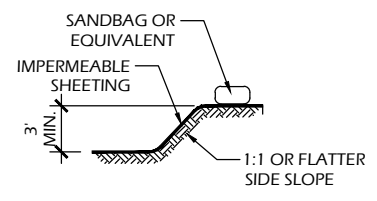
- ALL MATERIAL TO MEET SPECIFICATIONS.
- SEDIMENT SHOULD BE REMOVED FROM BEHIND CHECK DAM ONCE THE ACCUMULATED HEIGHT HAS REACHED 1/2 THE HEIGHT OF THE CHECK DAM. CHECK DAM CAN BE DIRECT SEEDED AT THE TIME OF INSTALLATION.
- FILTER MEDIA FILL TO MEET APPLICATION REQUIREMENTS.
- COMPOST MATERIAL TO BE DISPERSED ON SITE, AS DETERMINED BY ENGINEER.

- EROSION CONTROL SHALL BE PROVIDED IN ACCORDANCE WITH WDNR TECHNICAL STANDARD AND TECHNICAL SPECIFICATIONS.
- CROSS BRACE WITH 2' X 4' WOODEN FRAME OR EQUIVALENT AT TOP OF POSTS AS DIRECTED BY THE ENGINEER.
- MINIMUM 14 GAUGE WIRE REQUIRED, FOLD FABRIC 3" OVER THE WIRE AND STAPLE OR PLACE WIRE RINGS ON 12" C.C.
- WIRE SUPPORT FENCE SHALL BE 14 GAUGE MINIMUM WOVEN WIRE WITH A MAXIMUM MESH SPACING OF 6". SECURE TOP OF GEOTEXTILE FABRIC TO TOP OF FENCE WITH STAPLES OR WIRE RINGS AT 12" C.C. (TYPE B)
- GEOTEXTILE FABRIC SHALL BE REINFORCED WITH AN INDUSTRIAL POLYPROPYLENE NETTING WITH A MAXIMUM MESH SPACING OF 3/4" OR EQUAL. A HEAVY DUTY NYLON TOP SUPPORT CORD OR EQUIVALENT IS REQUIRED. (TYPE A)
- STEEL POSTS SHALL BE STUDDED "TEE" OR "U" TYPE WITH A MINIMUM WEIGHT OF 1.28 LBS./LIN. FT. (WITHOUT ANCHOR) FIN ANCHORS SUFFICIENT TO RESIST POST MOVEMENT ARE REQUIRED. WOOD POSTS SHALL BE A MINIMUM SIZE OF 1 1/8" X 1 1/8" OF OAK OR HICKORY.
- CONSTRUCT SILT FENCE FROM A CONTINUOUS ROLL, IF POSSIBLE, BY CUTTING LENGTHS TO AVOID JOINTS. IF A JOINT IS NECESSARY, USE ONE OF THE FOLLOWING TWO METHODS: A.) TWIST METHOD - OVERLAP THE END POSTS AND TWIST, OR ROTATE, AT LEAST 180 DEGREES, B.) HOOK METHOD - HOOK THE END OF EACH SILT FENCE LENGTH.

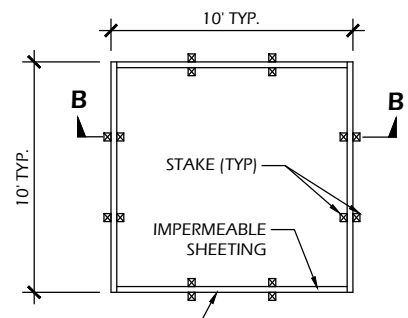


PLAN

EXCAVATED WASHOUT STRUCTURE

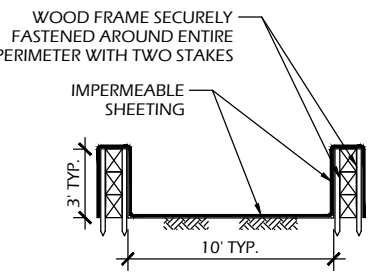


SECTION A-A

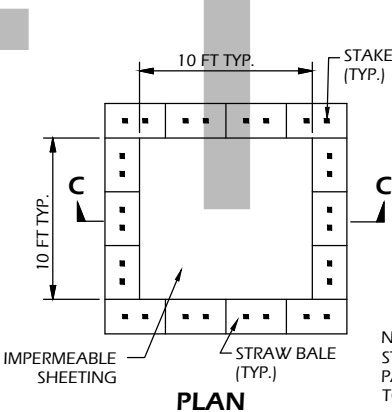


PLAN

WASHOUT STRUCTURE WITH WOOD PLANKS

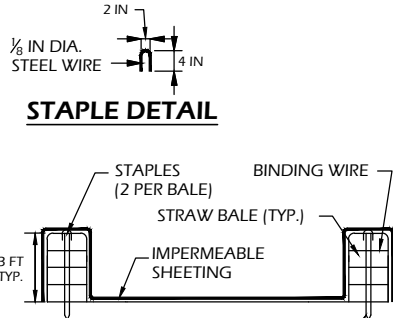


SECTION B-B



PLAN

WASHOUT STRUCTURE WITH STRAW BALES



STAPLE DETAIL

NOTE: CAN BE TWO STACKED BALES OR PARTIALLY EXCAVATED TO REACH 3 FT DEPTH

SECTION C-C

CONSTRUCTION SPECIFICATIONS

- TEMPORARY CONCRETE WASHOUT STRUCTURE SHALL BE USED TO WASH DOWN CONCRETE TRUCK CHUTES AND OTHER EQUIPMENT AFTER USE TO PREVENT WASHDOWN WATER FROM POLLUTING THE SITE.
- LOCATE WASHOUT STRUCTURE A MINIMUM OF 50 FEET AWAY FROM OPEN CHANNELS, STORM DRAIN INLETS, SENSITIVE AREAS, WETLANDS, BUFFERS AND WATER COURSES AND AWAY FROM CONSTRUCTION TRAFFIC.
- SIZE WASHOUT STRUCTURE FOR VOLUME NECESSARY TO CONTAIN WASH WATER AND SOLIDS AND MAINTAIN AT LEAST 4 INCHES OF FREEBOARD. TYPICAL DIMENSIONS ARE 10 FEET X 10 FEET X 3 FEET DEEP.
- PREPARE SOIL BASE FREE OF ROCKS OR OTHER DEBRIS THAT MAY CAUSE TEARS OR HOLES IN THE LINER. FOR LINER, USE 10 MIL OR THICKER UV RESISTANT, IMPERMEABLE SHEETING, FREE OF HOLES AND TEARS OR OTHER DEFECTS THAT COMPROMISE IMPERMEABILITY OF THE MATERIAL.
- PROVIDE A SIGN FOR THE WASHOUT IN CLOSE PROXIMITY TO THE FACILITY.
- KEEP CONCRETE WASHOUT STRUCTURE WATER TIGHT. REPLACE IMPERMEABLE LINER IF DAMAGED (E.G., RIPPED OR PUNCTURED). EMPTY OR REPLACE WASHOUT STRUCTURE THAT IS 75 PERCENT FULL, AND DISPOSE OF ACCUMULATED MATERIAL PROPERLY. DO NOT REUSE PLASTIC LINER. WET-VACUUM STORED LIQUIDS THAT HAVE NOT EVAPORATED AND DISPOSE OF IN AN APPROVED MANNER. PRIOR TO FORECASTED RAINSTORMS, REMOVE LIQUIDS OR COVER STRUCTURE TO PREVENT OVERFLOWS. REMOVE HARDENED SOLIDS, WHOLE OR BROKEN UP, FOR DISPOSAL OR RECYCLING. MAINTAIN RUNOFF DIVERSION AROUND EXCAVATED WASHOUT STRUCTURE UNTIL STRUCTURE IS REMOVED.

1
C900

CONCRETE WASHOUT STRUCTURE (TEMP)

SCALE: NTS

2
C900

SILT FENCE OR SEDIMENT SOCK

SCALE: NTS

File: P:\22.055 Ridgeway_Park CAD\P-D.dwg Layout: C900 User: Blake Treisen Plotted: Jul 09, 2023 - 9:59pm

Revisions:

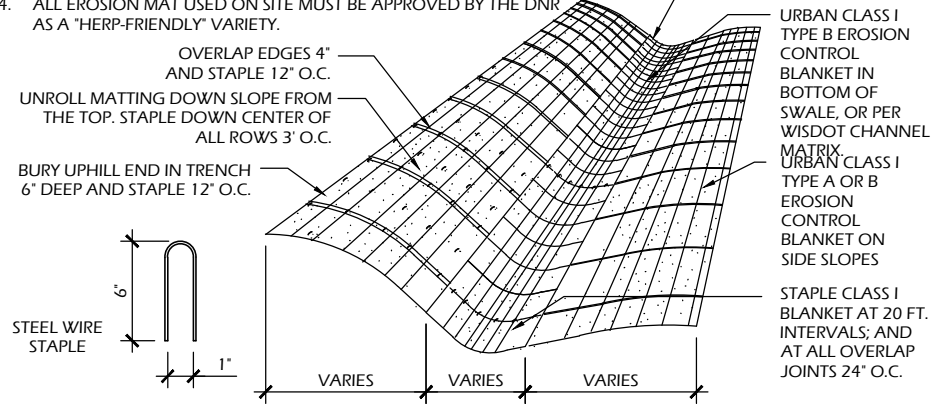
--	--

Project #: 22.055
Issued For: REVIEW
Date: 07/11/2023

Sheet Number
C900

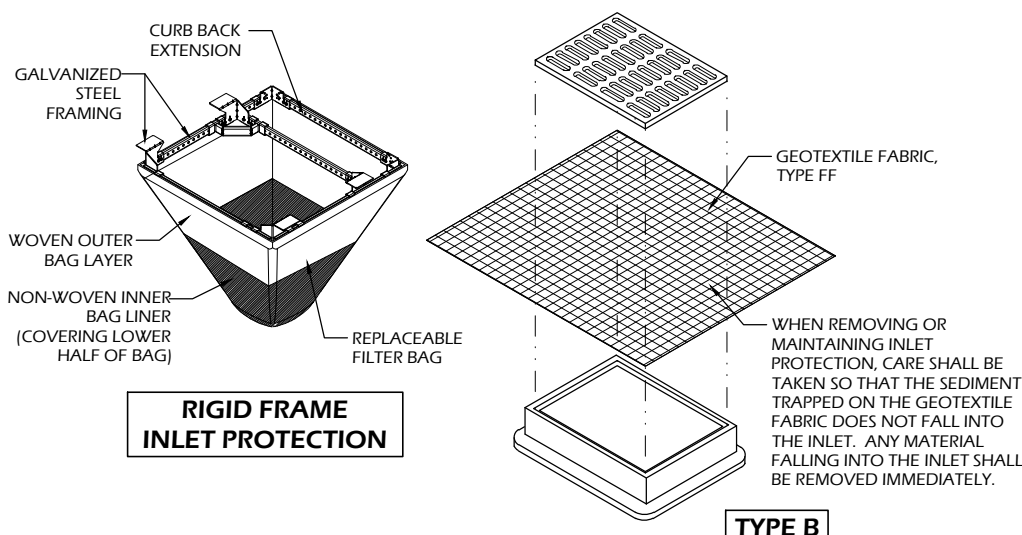
NOTES

1. PREPARE SOIL BEFORE INSTALLING BLANKET INCLUDING ALL SOIL PREPARATION AND SEEDING AS SPECIFIED.
2. ANCHOR BLANKET IN 6" TRENCH PRIOR TO ROLLING DOWN SLOPE.
3. THE BOTTOM SECTION OF BLANKET SHOULD BE ON THE DOWNSTREAM SIDE OF ALL OVERLAPS.
4. ALL EROSION MAT USED ON SITE MUST BE APPROVED BY THE DNR AS A "HERP-FRIENDLY" VARIETY.



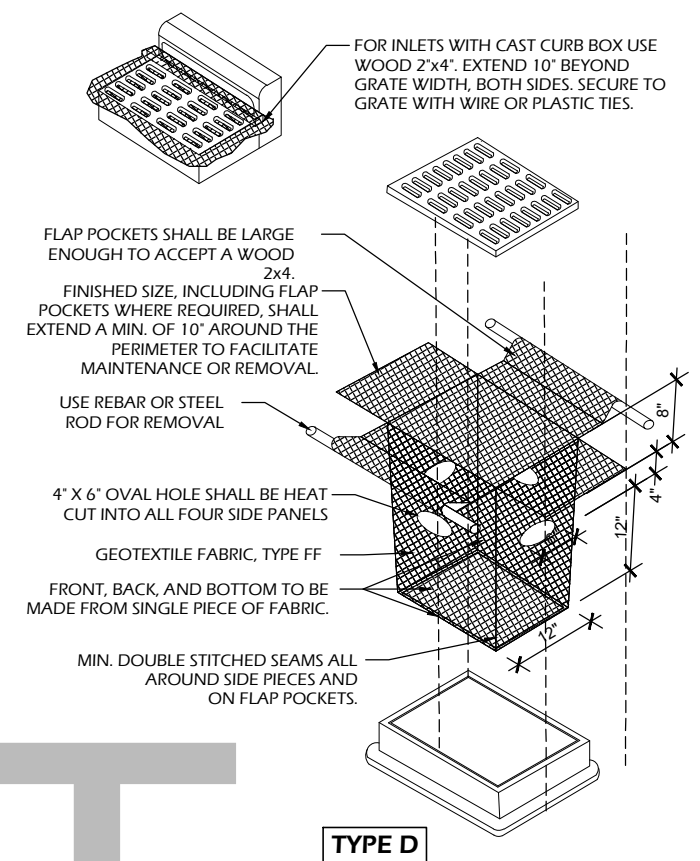
4 EROSION MAT

C901 SCALE: NTS



3 INLET PROTECTION TYPES B & D

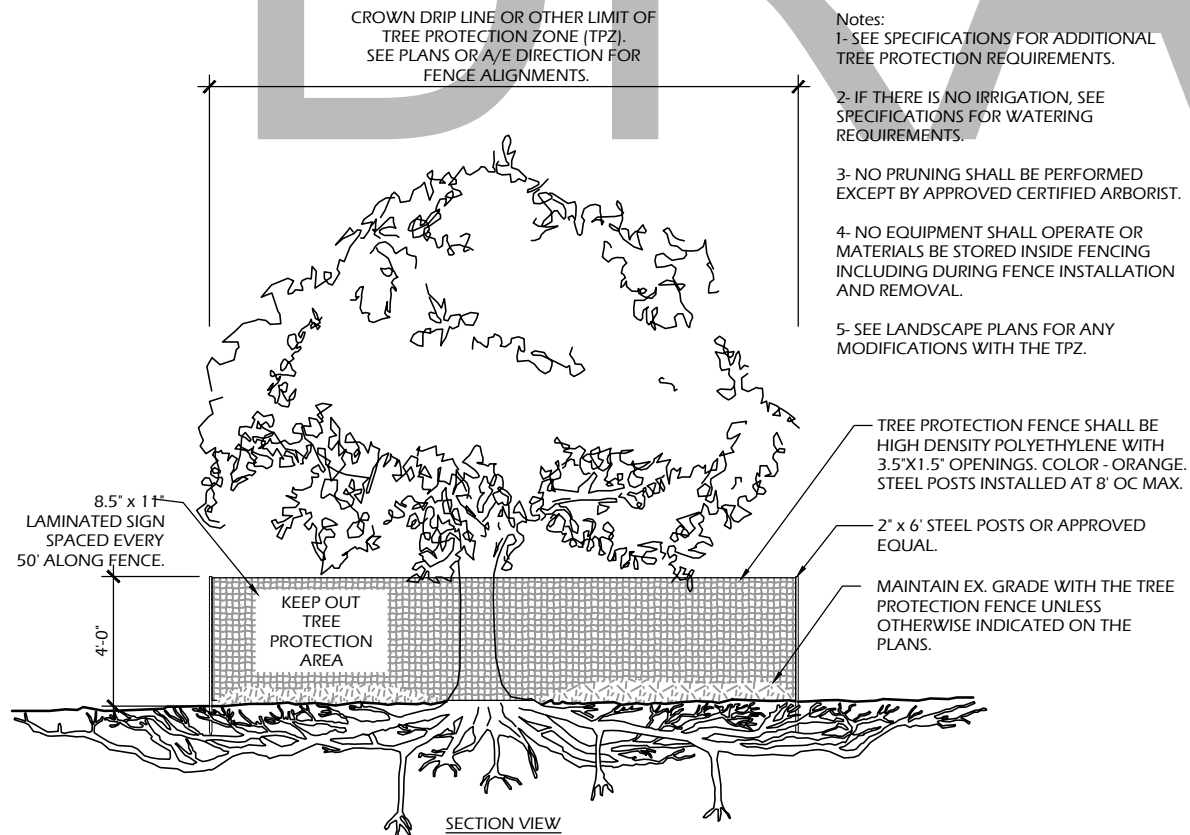
C901 SCALE: NTS



INLET PROTECTION NOTES:

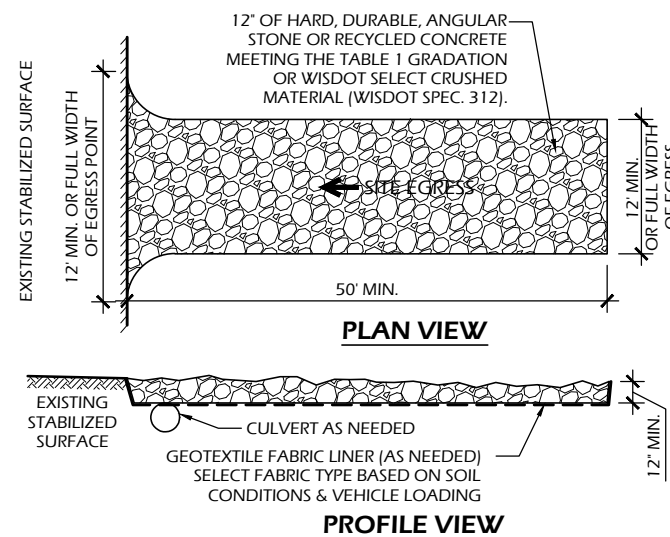
1. INSTALL PER WDNR STORM WATER CONSTRUCTION TECHNICAL STANDARD 1060.
2. INLET PROTECTION TYPE B SHALL BE USED ON STRUCTURES 30" OR LESS IN DEPTH.
3. RIGID FRAME OR TYPE D INLET PROTECTION MAY BE USED AT THE DISCRETION OF THE CONTRACTOR UNLESS OTHERWISE NOTED.
4. ROUTINELY INSPECT FOR INTEGRITY AND NEEDED MAINTENANCE.
5. EMPTY SEDIMENT WHEN THE BAG IS HALF FULL OR SEDIMENT IS WITHIN 6 INCHES OF THE OVERFLOW HOLES, OR AS DIRECTED BY THE OWNER OR A/E.
6. IMMEDIATELY REMOVE ANY SEDIMENT FALLING INTO THE INLET DURING MAINTENANCE ACTIVITIES.
7. INLET PROTECTION SHALL BE REMOVED AFTER THE SITE HAS ACHIEVED 80% STABILIZATION OR AT THE END OF THE PROJECT.

DRAFT



2 TREE PROTECTION

C901 SCALE: NTS



1 STONE TRACKING PAD

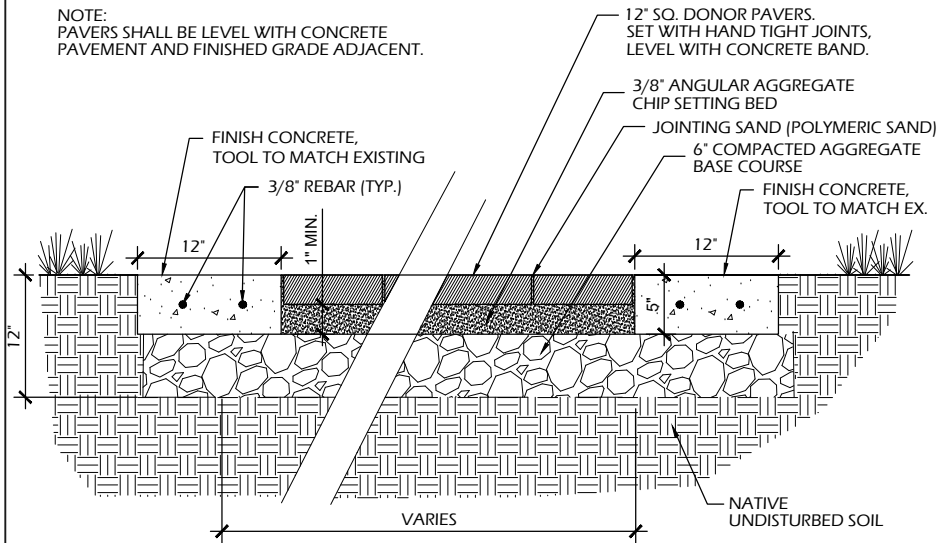
C901 SCALE: NTS

SIEVE SIZE	PERCENT PASSING BY WEIGHT
3"	100
2 1/2"	90 - 100
1 1/2"	25 - 60
3/4"	0 - 20
3/8"	0 - 5

OPERATION & MAINTENANCE:

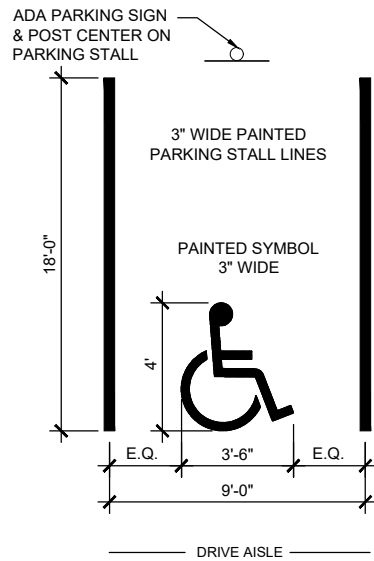
1. MONITOR TRACKING PADS FOR COMPACTION, SOIL DEPOSITS, AND MIXING OF UNDERLYING SOILS AND STONE LAYERS.
2. MAINTAIN A LOOSENED, ROUGH SURFACE BY SCRAPING, LOOSENING, OR TOP-DRESSING WITH ADDITIONAL AGGREGATE.
3. REPLACE GEOTEXTILE AND STONE IF LESS-INTENSIVE MAINTENANCE EFFORTS FAIL TO REESTABLISH EFFECTIVENESS.
4. ADD STONE AS NEEDED TO MAINTAIN THE MINIMUM PAD THICKNESS.
5. REPLACE DAMAGED OR CRUSHED CULVERTS UNDER TRACKING PAD.

NOTE: PAVERS SHALL BE LEVEL WITH CONCRETE PAVEMENT AND FINISHED GRADE ADJACENT.



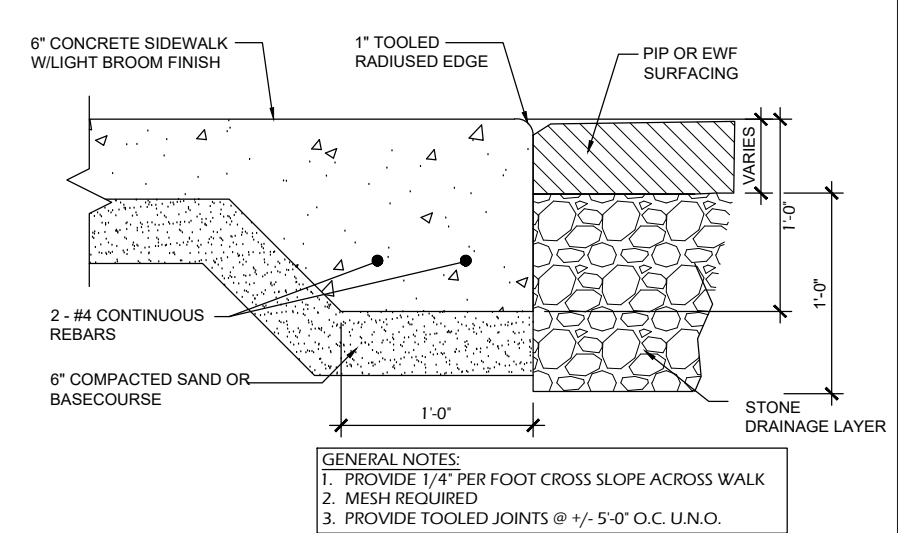
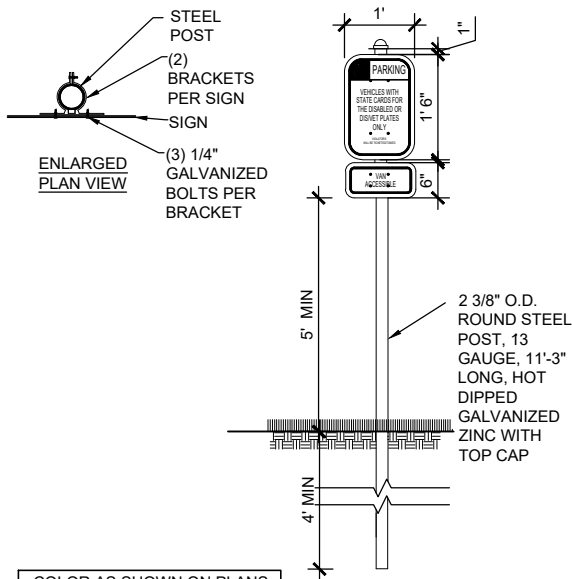
9 PAVER PATIO

C902 SCALE: NTS



6 ADA PARKING - COLOR AS SHOWN ON PLANS

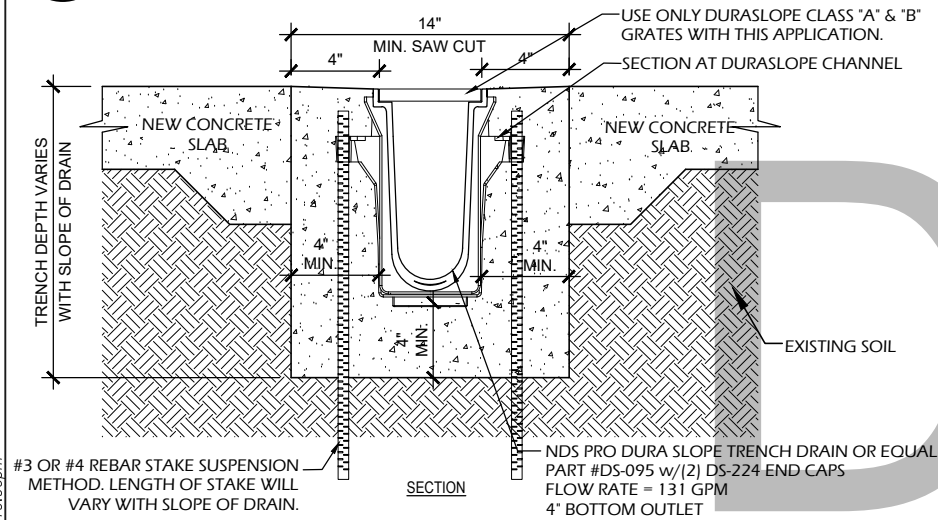
C902 SCALE: NTS



3 THICKENED EDGE SIDEWALK

C902 SCALE: NTS

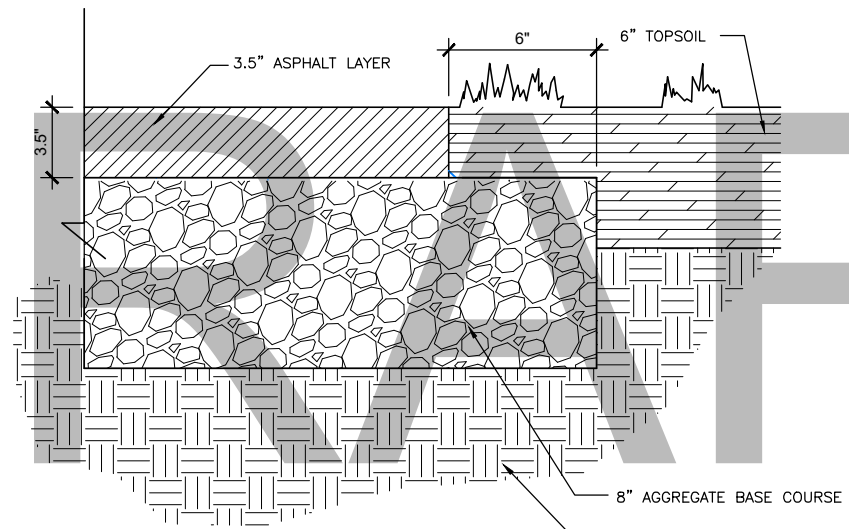
GENERAL NOTES:
 1. PROVIDE 1/4" PER FOOT CROSS SLOPE ACROSS WALK
 2. MESH REQUIRED
 3. PROVIDE TOOLED JOINTS @ +/- 5'-0" O.C. U.N.O.



8 TRENCH DRAIN

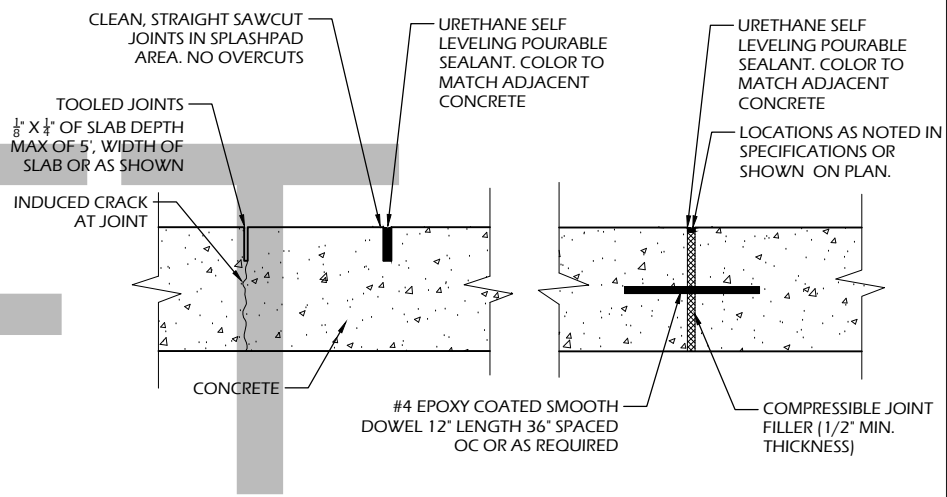
C902 SCALE: NTS

NOTES:
 1. CHANNELS TO BE INSTALLED WITH BLANK GRATE. GRATE TO BE PROTECTED FROM CONCRETE POUR (COVER HOLES WITH TAPE).
 2. INSTALLATION TO BE COMPLETED IN ACCORDANCE WITH MANUFACTURER'S SPECIFICATIONS.



5 ASPHALT PAVEMENT PATCH

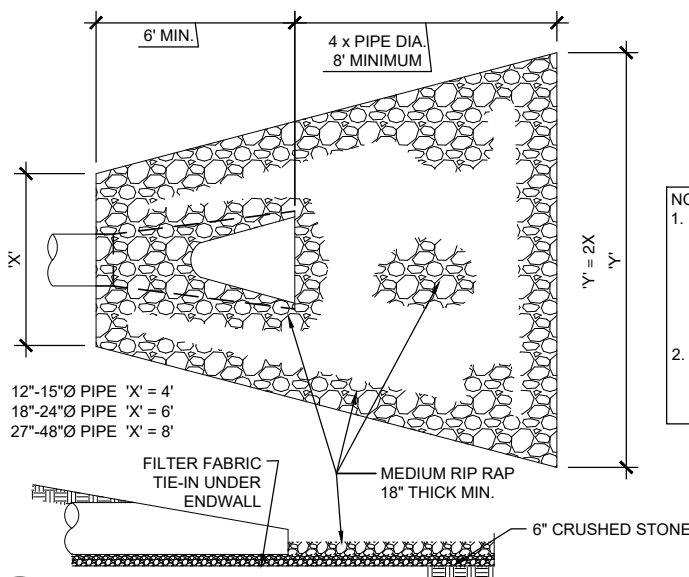
C902 SCALE: NTS



2 CONCRETE JOINTS

C902 SCALE: NTS

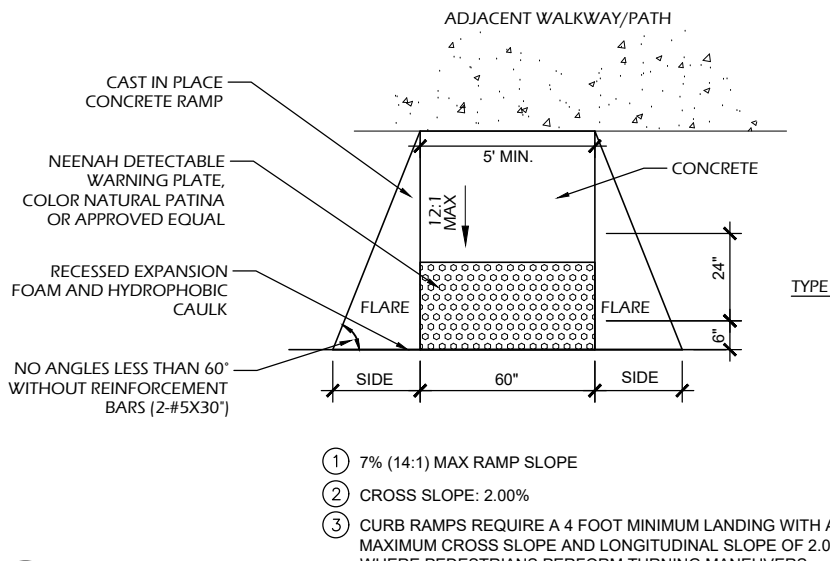
GENERAL NOTES:
 - SAWCUT ALL JOINTS
 - OVERCUTS SHALL NOT BE ACCEPTED
 - PROVIDE JOINTS PER JOINTING PLAN
 - DOWEL BETWEEN ALL SEPARATE POURS
 - ALL JOINTS SHALL BE STRAIGHT AND CONTINUOUS



7 STORM PIPE ENDWALL

C902 SCALE: NTS

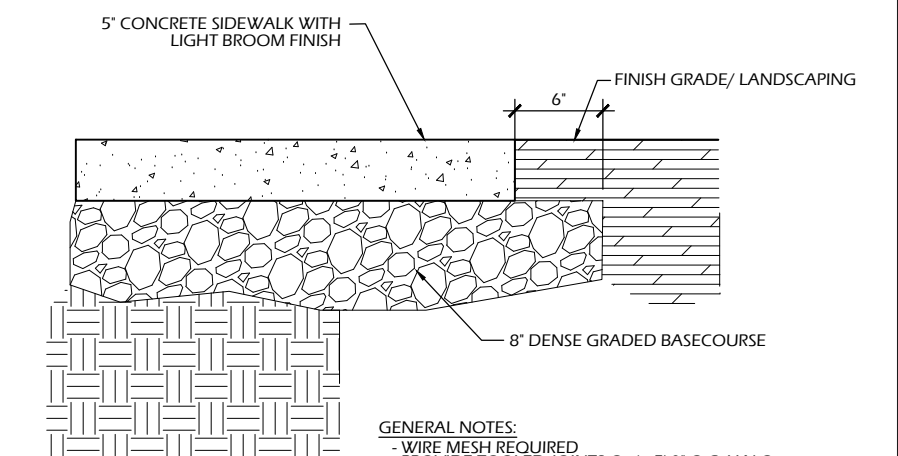
NOTES:
 1. ALL CULVERT PIPES SHALL HAVE ENDWALLS ON UPSTREAM & DOWNSTREAM ENDS WHERE THEY DAYLIGHT AT THE GROUND SURFACE.
 2. ALL ENDWALLS 18" IN DIAMETER OR GREATER SHALL HAVE PIPE GATES.



4 ADA RAMP

C902 SCALE: NTS

- 7% (14:1) MAX RAMP SLOPE
- CROSS SLOPE: 2.00%
- CURB RAMPS REQUIRE A 4 FOOT MINIMUM LANDING WITH A MAXIMUM CROSS SLOPE AND LONGITUDINAL SLOPE OF 2.00% WHERE PEDESTRIANS PERFORM TURNING MANEUVERS. SLOPE TO DRAIN TO CURB.



1 CONCRETE PAVEMENT

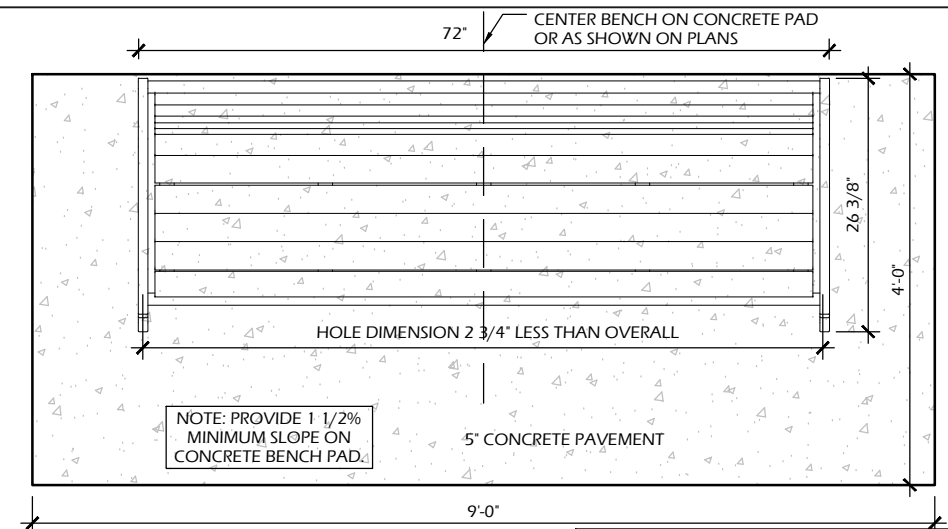
C902 SCALE: NTS

GENERAL NOTES:
 - WIRE MESH REQUIRED
 - PROVIDE TOOLED JOINTS @ +/- 5'-0" O.C. U.N.O.

File: P:\22.055 Ridgeway_Park\CAD\P-D.dwg User: Blake Thiesen Plotted: Jul 09, 2023 10:06pm

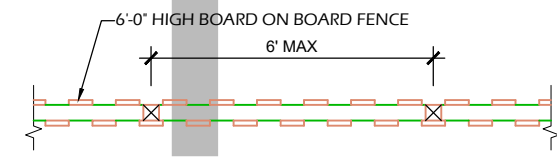
File: P:\22.055 Ridgeway, Park\CAD\P-D.dwg User: Blake Theisen Plotted: Jul 09, 2023 - 11:34pm

DRAFT

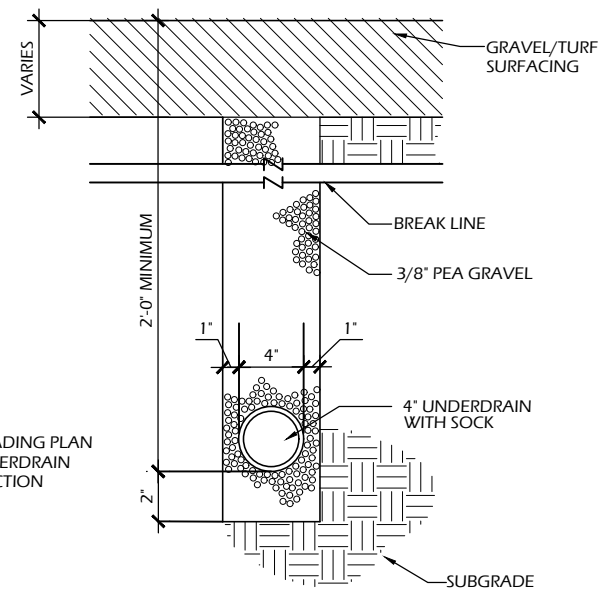


2 BENCH
C903 SCALE: NTS

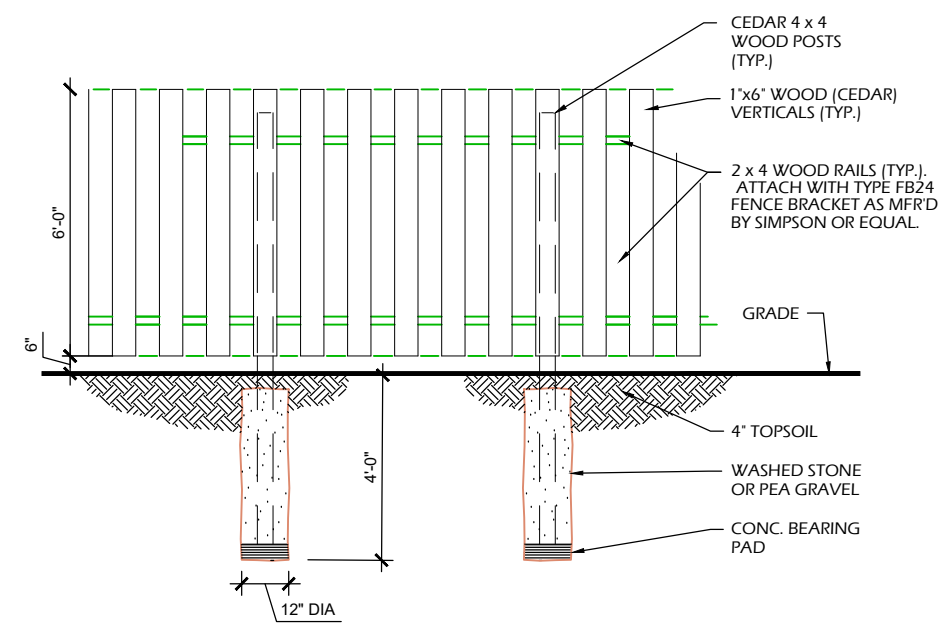
NOTE: PROVIDE CONCRETE BENCH PADS, FASTENERS AND INSTALLATION OF BENCHES AS SHOWN. IF INSTALLED ON PAVERS, DO NOT ANCHOR.



PARTIAL PLAN



3 UNDERDRAIN
C903 SCALE: NTS



PARTIAL ELEVATION

1 SCREEN FENCING
C903 SCALE: NTS

PROVIDE TWO 4' SERVICE GATES WITH LOCKING LATCH

Revisions:	
Project #:	22.055
Issued For:	REVIEW
Date:	07/11/2023