



P & H TIRE COMPANY

NEW SHOWROOM / SHOP FACILITY

301 CRESTWOOD DR. ■ VICTORIA, TX

RELEASE DATE: **AUGUST 4, 2014**
 RELEASED FOR: **PERMIT / CONSTRUCTION**
 EAB#: _____
 SET # _____ OF _____

INDEX

COVER SHEET	ARCHITECTURAL DRAWINGS
AB-1 TEXAS ACCESSIBILITY STANDARDS	A- 1.0 FLOOR PLAN
AB-2 TEXAS ACCESSIBILITY STANDARDS	A-1.1 ELEVATIONS
AB-3 TEXAS ACCESSIBILITY STANDARDS	A-1.2 ELEVATIONS
AB-4 TEXAS ACCESSIBILITY STANDARDS	A-1.3 WALL SECTIONS
AB-5 TEXAS ACCESSIBILITY STANDARDS	A-1.4 REFLECTIVE CEILING PLAN
	A-1.5 ELEVATIONS / DOORS
	A-1.6 SCHEDULES
	A-2.4 SCHEDULES
CIVIL DRAWINGS	MEP DRAWINGS
C-2 TOPOGRAPHIC SURVEY	E-0.1 LIGHTING PLAN
C-3 SITE PLAN	E-2.0 POWER PLAN
C-4 GRADING PLAN	E-3.0 ELECTRICAL SCHEDULES, NOTES, AND RISER DIAGRAM
C-5 UTILITY PLAN	
C-6 COV STANDARD DETAILS	M-1.0 HVAC PLAN
C-7 GENERAL NOTES & DETAILS	M-2.0 HVAC SCHEDULES, NOTES, AND DETAILS
	P-1.0 PLUMBING PLAN
STRUCTURAL DRAWINGS	P-2.0 PLUMBING SCHEDULES, NOTES, AND DETAILS
S-1.0 FOUNDATION PLAN	
S-1.1 FOUNDATION DETAILS	
S-1.2 FOUNDATION SECTIONS / DETAILS	
S-1.3 FOUNDATION DETAILS	

CODE REVIEW / NOTES

PROJECT DESIGN ANALYSIS

PROJECT DESCRIPTION:
 NEW BUILDING WITH SHOWROOM, OFFICE, RESTROOMS, SHOP AREA, AND STORAGE.

CODES:
 2009 INTERNATIONAL BUILDING CODE (IBC)
 2011 NATIONAL ELECTRIC CODE (NEC)
 2009 INTERNATIONAL ENERGY CODE C (IECC)
 2009 INTERNATIONAL FIRE CODE (IFC)
 2009 INTERNATIONAL MECHANICAL CODE (IMC)
 2009 INTERNATIONAL PLUMBING CODE (IPC)

BUILDING INFORMATION:

OCCUPANCY CLASS:
 B BUSINESS OCCUPANCY -SHOWROOM/OFFICES/RESTROOMS
 F-1 OCCUPANCY - SHOP AREA

BUILDING AREA:
 B OCCUPANCY = 1389SF
 F-1 OCCUPANCY = 5111SF
 TOTAL = 6500SF

TYPE OF CONSTRUCTION: II-B
 THERE ARE NO FIRE RESISTANCE RATING REQUIREMENTS FOR ANY BUILDING ELEMENTS PER TABLE 601. THERE ARE NO REQUIREMENTS FOR EXTERIOR WALL FIRE RESISTANCE RATINGS PER TABLE 602

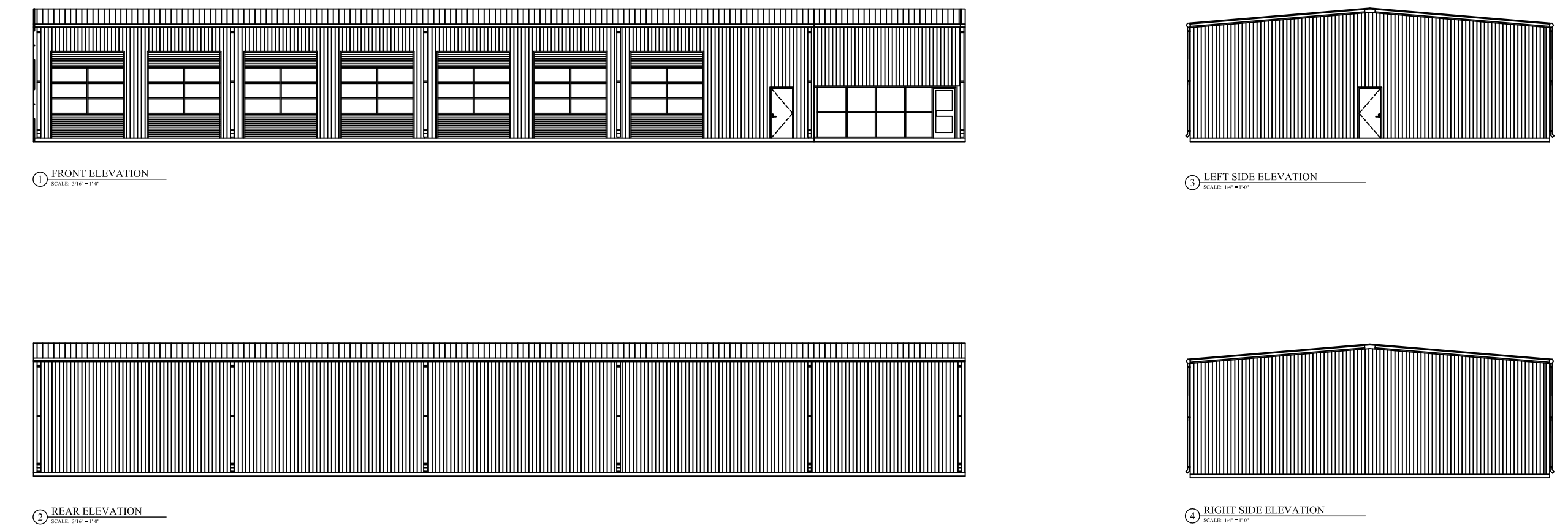
MEANS OF EGRESS

OCCUPANCY	LOAD FACTOR	AREA	OCC. LOAD	REQ. WIDTH	TRAVEL DISTANCE
B - BUSINESS	100 GROSS	1389SF	13 PEOPLE	36" PROVIDED	200'
F-1	100 GROSS	5111SF	51 PEOPLE	72" PROVIDED	200'
TOTALS		6500SF	64 PEOPLE	108" PROVIDED	

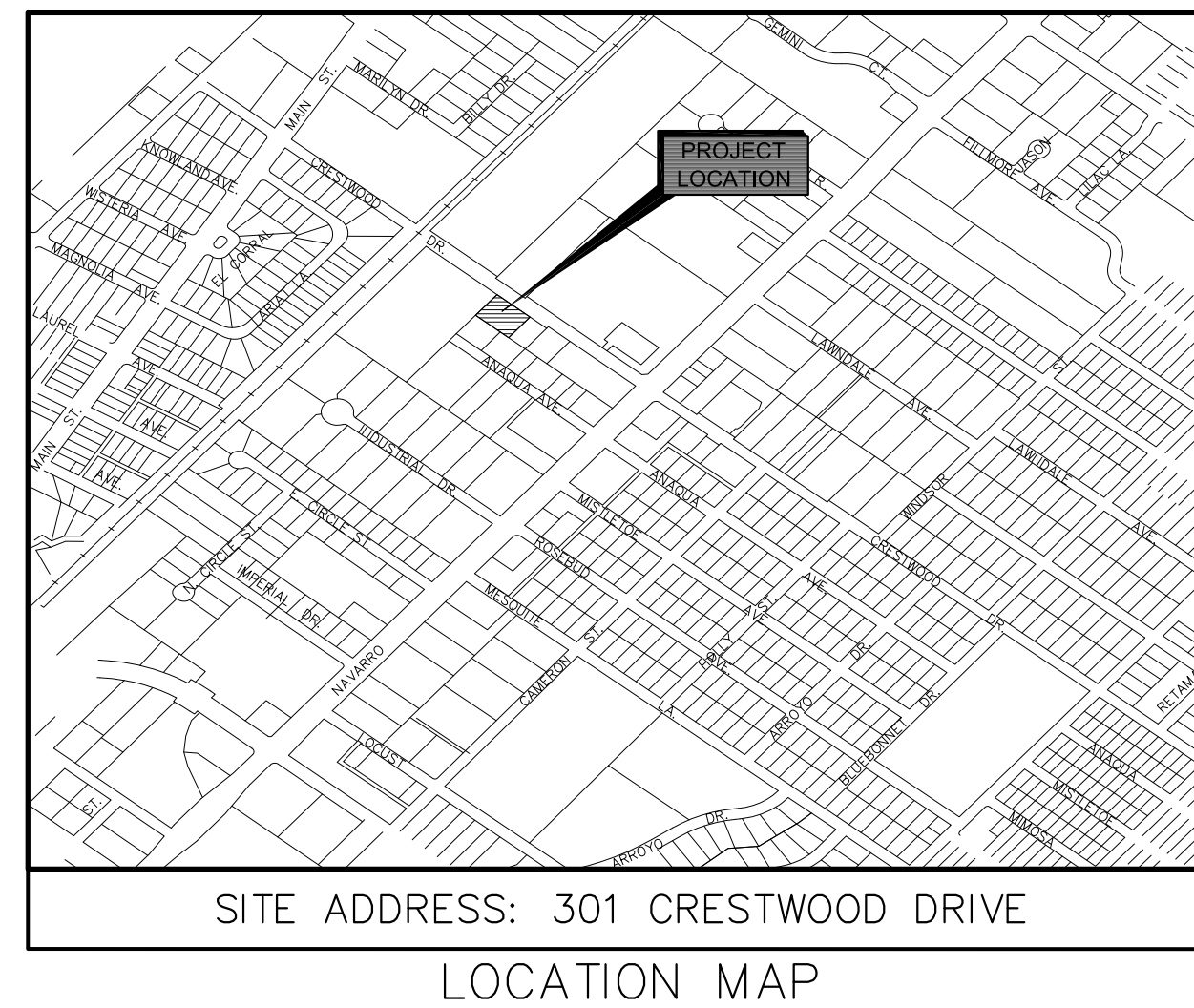
GENERAL NOTES:

- ARCHITECTURAL PLANS REGARDING DIMENSIONS, LAYOUT AND DETAILS TAKE PRECEDENCE OVER ALL OTHER DRAWINGS. NOTIFY LAUGER COMPANIES, INC. OF ANY DISCREPANCIES AND / OR OMISSIONS PRIOR TO THE START OF WORK. WITHOUT NOTIFICATION, THE CONTRACTOR ASSUMES RESPONSIBILITY FOR ALL EXISTING CONDITIONS.
- DIMENSIONS ARE TO GRID LINE, FACE OF STUD, FACE OF MASONRY, FACE OF CONCRETE AND CENTER OF DOOR AND WINDOW OPENINGS UNLESS NOTED OTHERWISE.
- ALL FINISHED CONSTRUCTION MUST MEET TEXAS ACCESSIBILITY STANDARDS (T.A.S.) REQUIREMENTS.

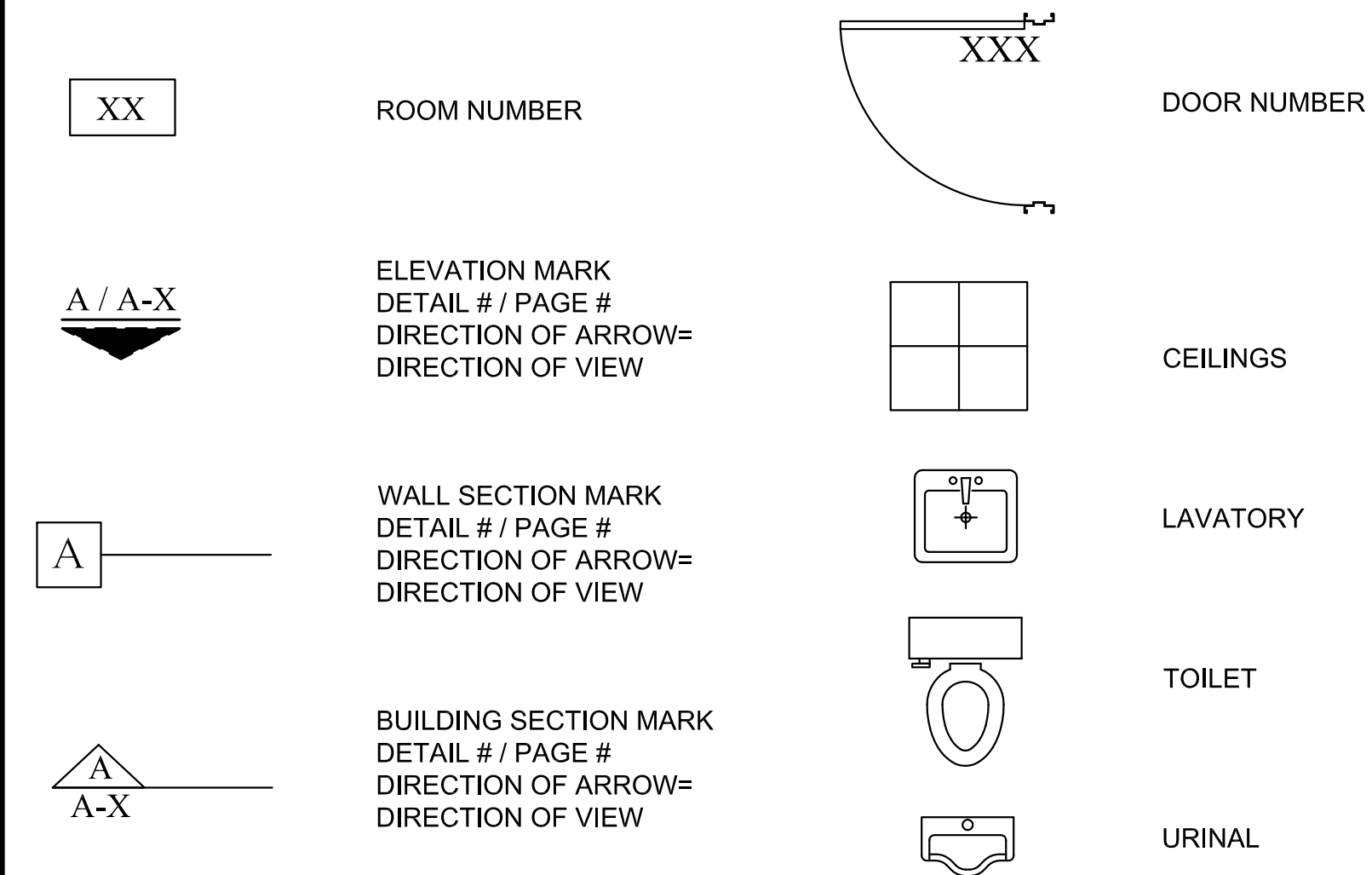
ELEVATIONS



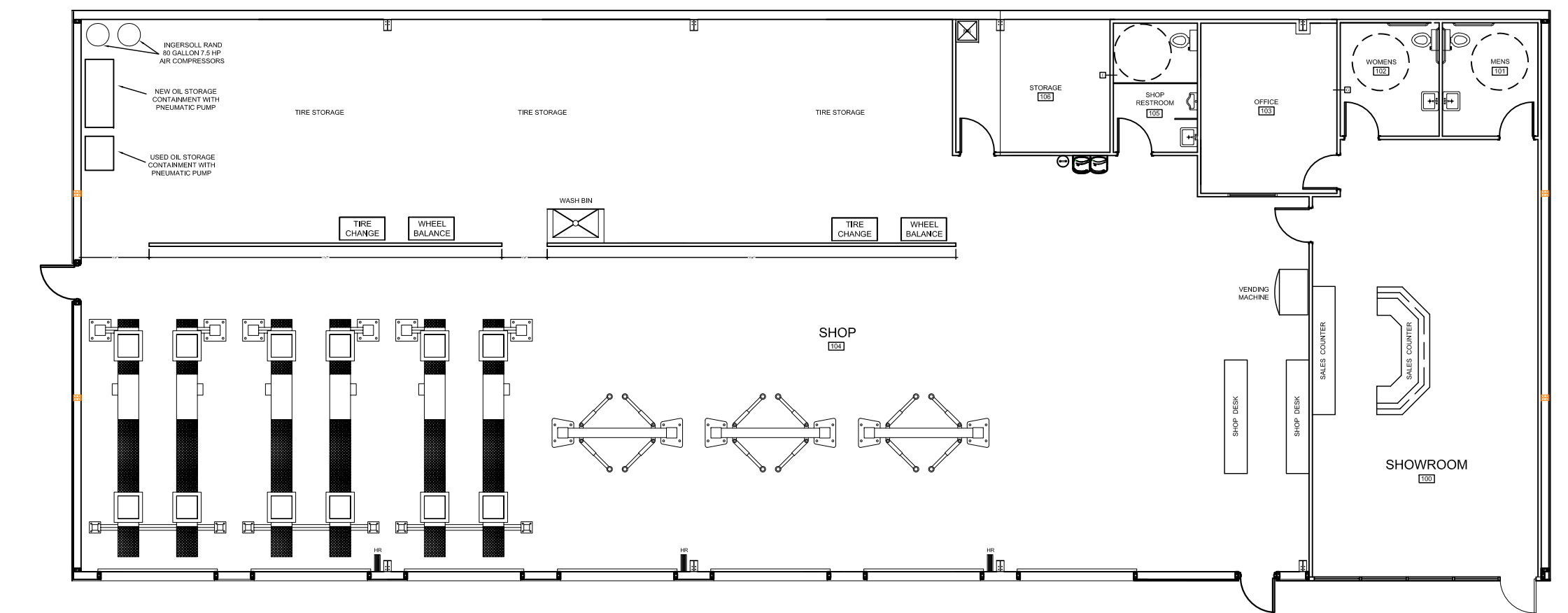
SITE MAP



SYMBOLS LEGEND



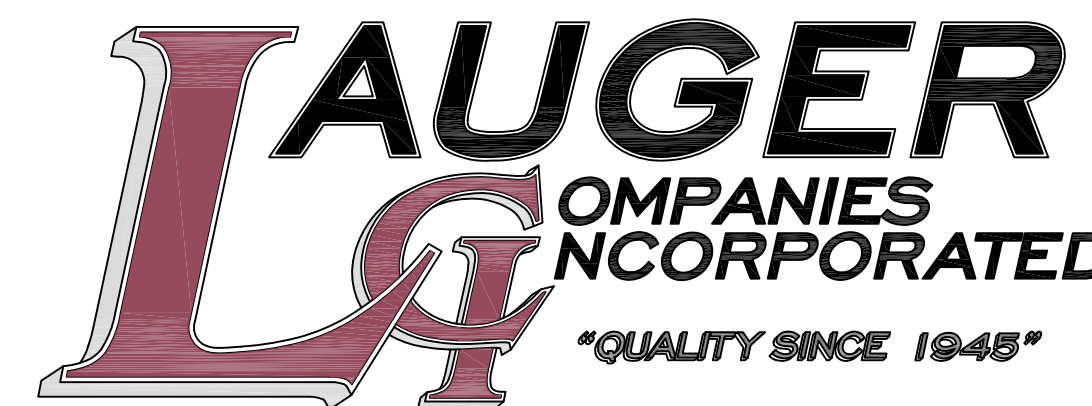
LAYOUT



STRUCTURAL ENGINEER

ROYCE W. KRUEGER, P.E.
 (361) 573-5291
 205 PROFIT DRIVE
 VICTORIA, TEXAS, 77901

DESIGN-BUILD CONTRACTOR



2203 PORT LAVACA DRIVE ■ PO BOX 2146 ■ VICTORIA, TEXAS 77902
 361.576.0003 PHONE ■ 361.578.1626 FAX

M.E.P. ENGINEER

WYCOFF ENGINEERING INC.
 (361-771-3111)
 1938 COUNTY ROAD 237
 GANADO TEXAS, 77962

NO.	DESCRIPTION

DESIGN-BUILD CONTRACTOR
LAUGER
 2200 PORT LAVACA HWY., VICTORIA, TX 77901
 (409) 575-3661 FAX (409) 575-3628
 WWW.LAUGERCOMPANIES.COM

CLIENT
 P & H TIRE COMPANY
 4101 N. NAVARRO
 VICTORIA, TX 77901

P & H TIRE COMPANY NEW FACILITY
 VICTORIA, TEXAS

ISSUE DATE	7-24-2014
DRAWING SCALE	3/16" = 1'-0"
PROJECT NO.	140810
DRAWN BY	LAUGER

PAGE TITLE
 FLOOR PLAN

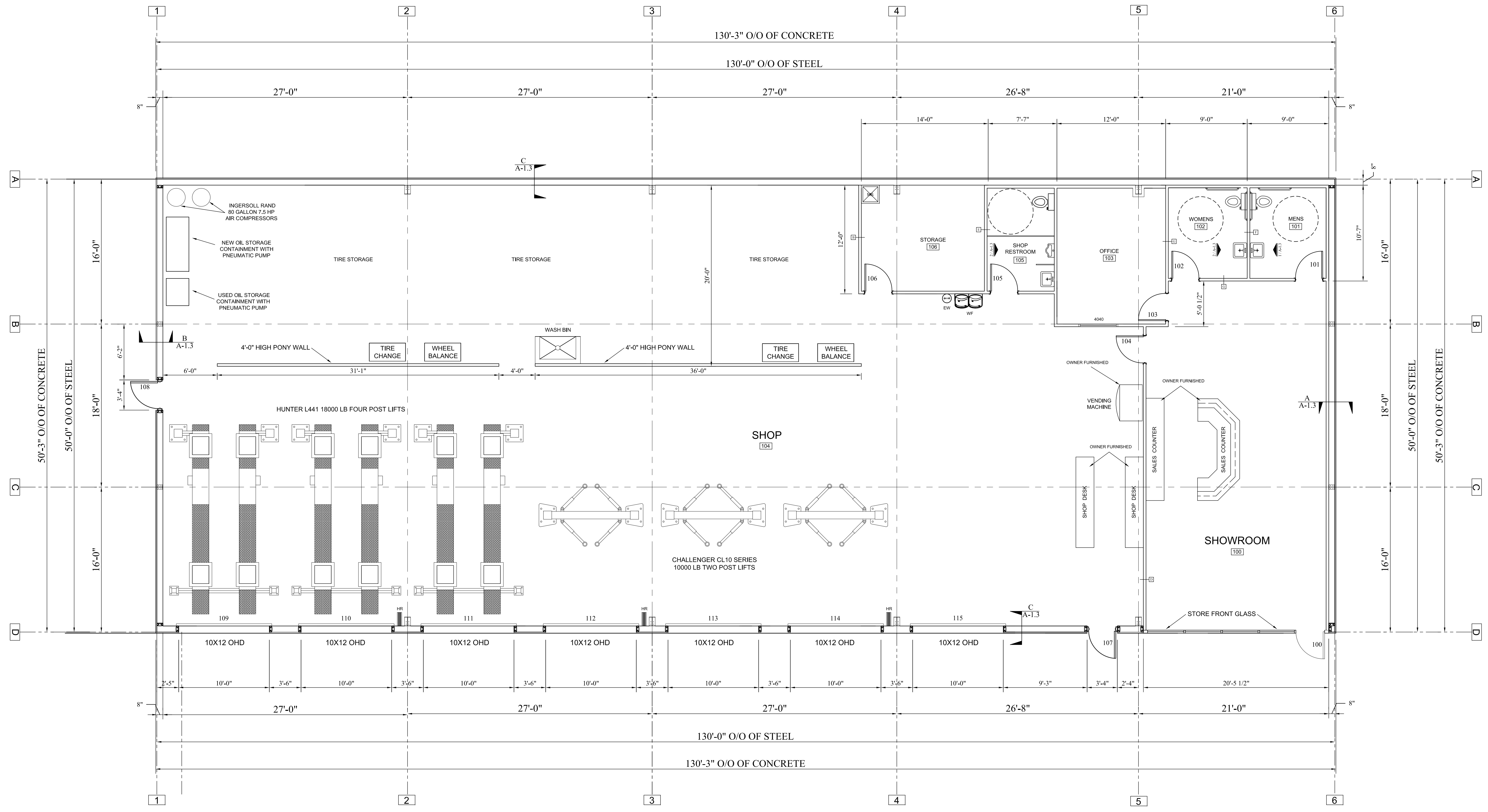
SHEET
 A-1.0

2 / A-1.1

1 / A-1.1

3 / A-1.2

4 / A-1.2



FLOOR PLAN
 P & H TIRE COMPANY
 SCALE : 3/16" = 1'-0"

REVISIONS	

DESIGN-BUILD CONTRACTOR

LAUGER
CORPORATION
2200 PORT LAVACA HWY. • VICTORIA, TX 77901
TEL: 361.573.1111 • FAX: 361.573.1122
WWW.LAUGERCOMPANIES.COM

CLIENT

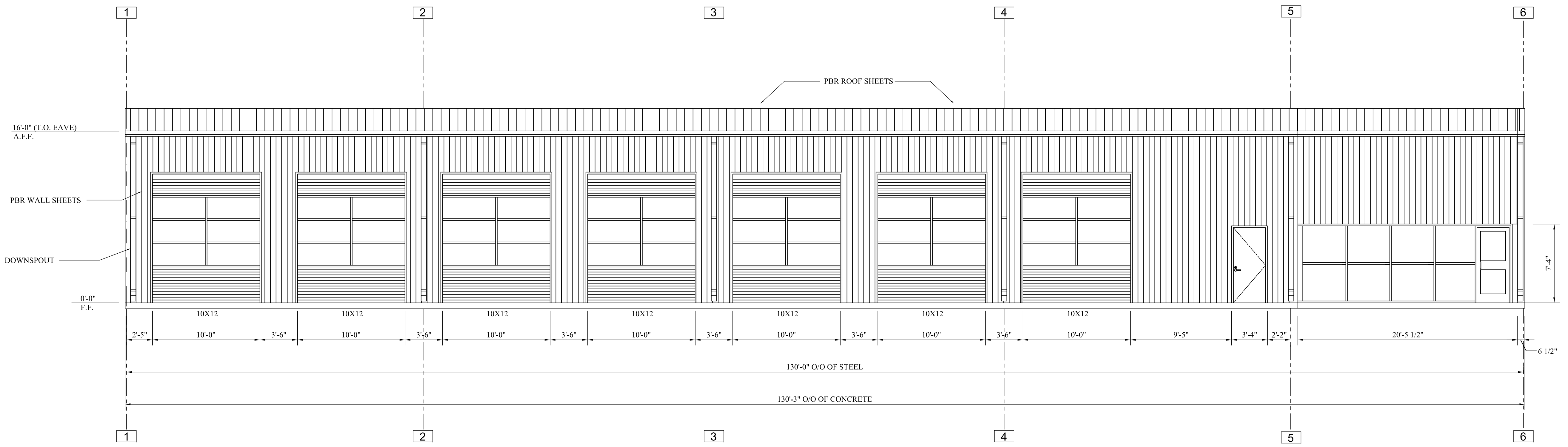
P & H TIRE COMPANY
4101 N. NAVARRO
VICTORIA, TX 77901

P & H TIRE COMPANY NEW FACILITY
VICTORIA, TEXAS

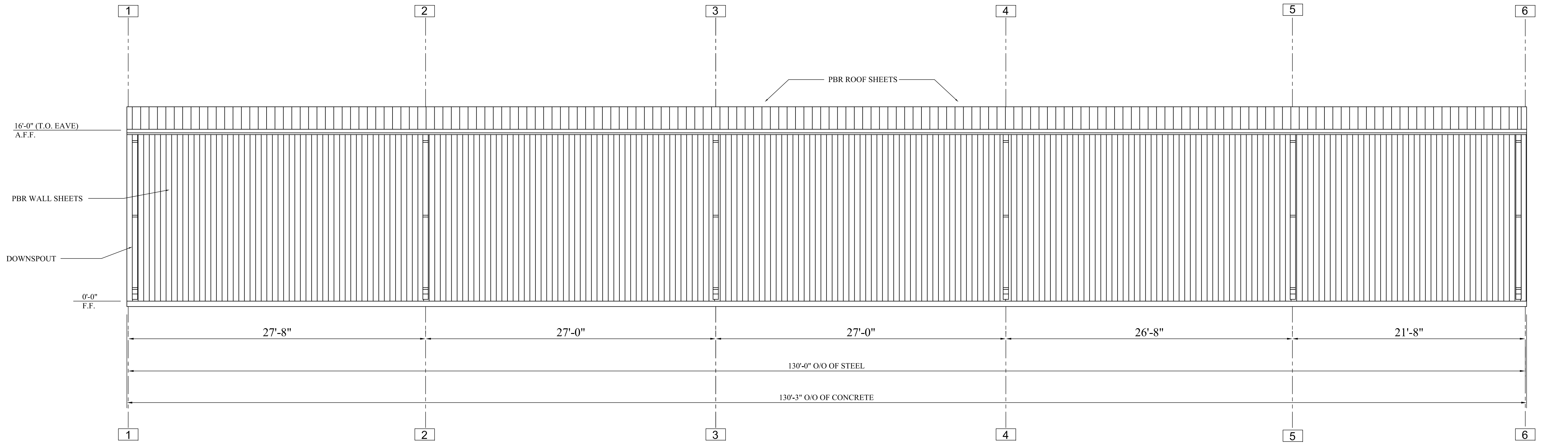
ISSUE DATE	7-24-2014
DRAWING SCALE	3/16" = 1'-0"
PROJECT NO.	140810
DRAWN BY	LAUGER

PAGE TITLE
ELEVATIONS

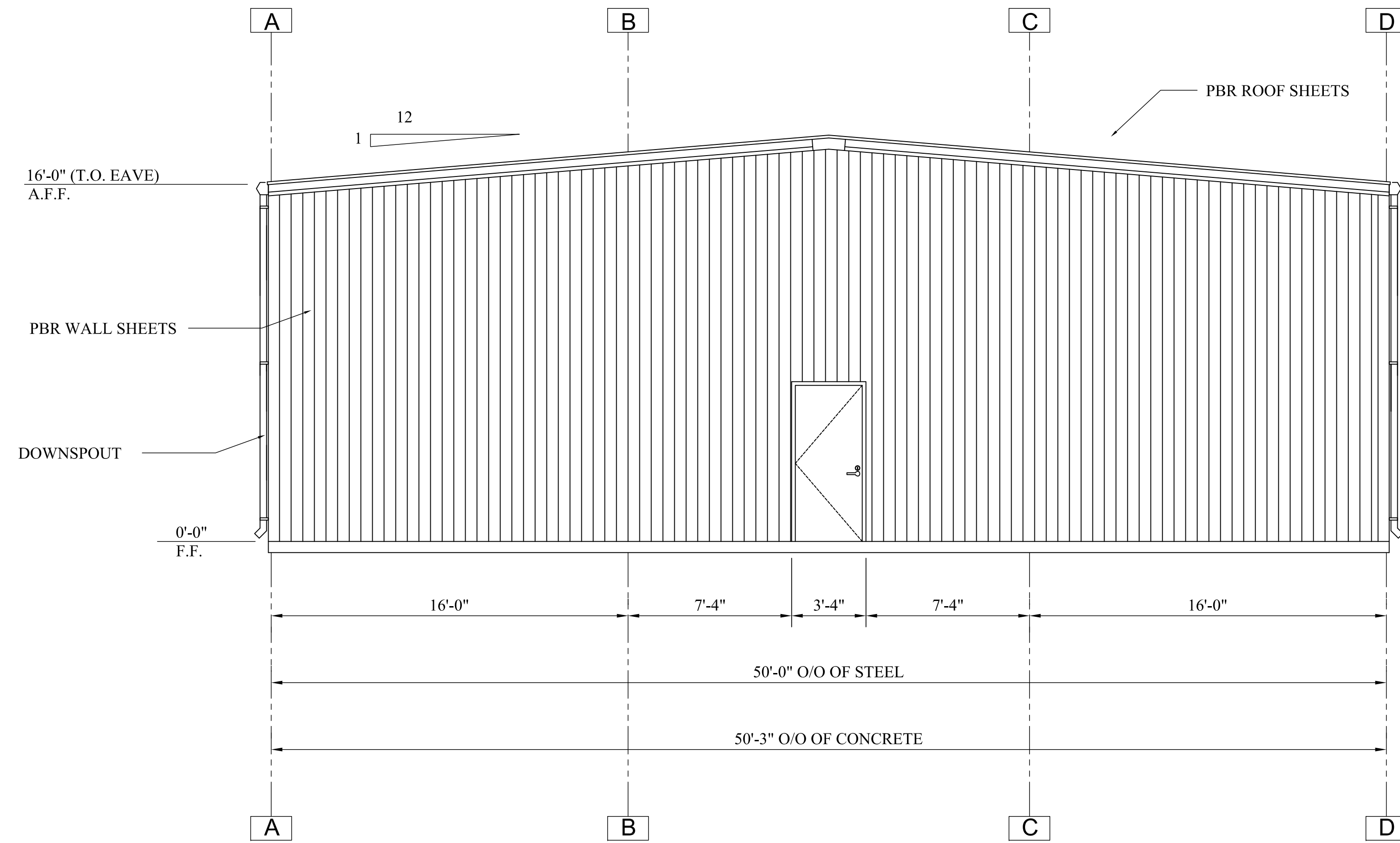
SHEET
A-1.1



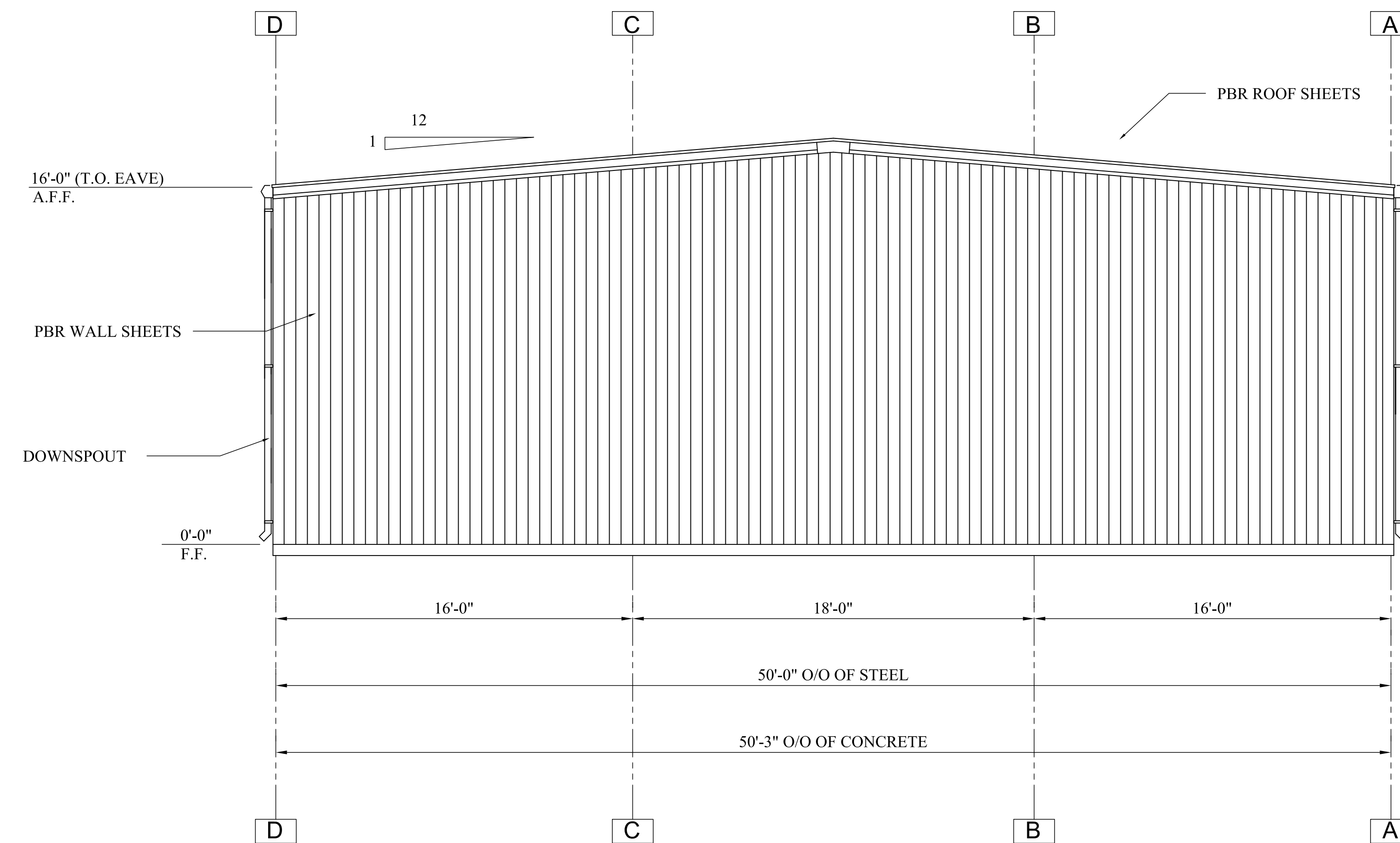
1 FRONT ELEVATION
SCALE: 3/16" = 1'-0"



2 REAR ELEVATION
SCALE: 3/16" = 1'-0"



3 LEFT SIDE ELEVATION
SCALE: 1/4" = 1'-0"



4 RIGHT SIDE ELEVATION
SCALE: 1/4" = 1'-0"

REVISIONS	

DESIGN-BUILD CONTRACTOR
LAUGER
CORPORATION
2200 PORT LAVAR RD., VICTORIA, TX 77901
(361) 573-3861 FAX (361) 573-3228
WWW.LAUGERCOMPANIES.COM

CLIENT
P & H TIRE COMPANY
4101 N. NAVARRO
VICTORIA, TX 77901

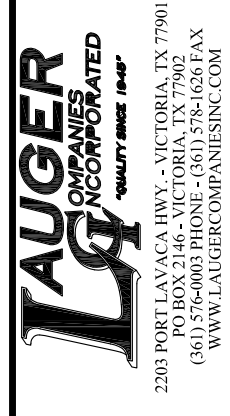
ISSUE DATE
7-24-2014
DRAWING SCALE
1/4" = 1'-0"
PROJECT NO.
140810
DRAWN BY
LAUGER

PAGE TITLE
ELEVATIONS

SHEET
A-1.2

NO.	REVISIONS

DESIGN-BUILD CONTRACTOR



CLIENT

P & H TIRE COMPANY
4101 N. NAVARRO
VICTORIA, TX 77901

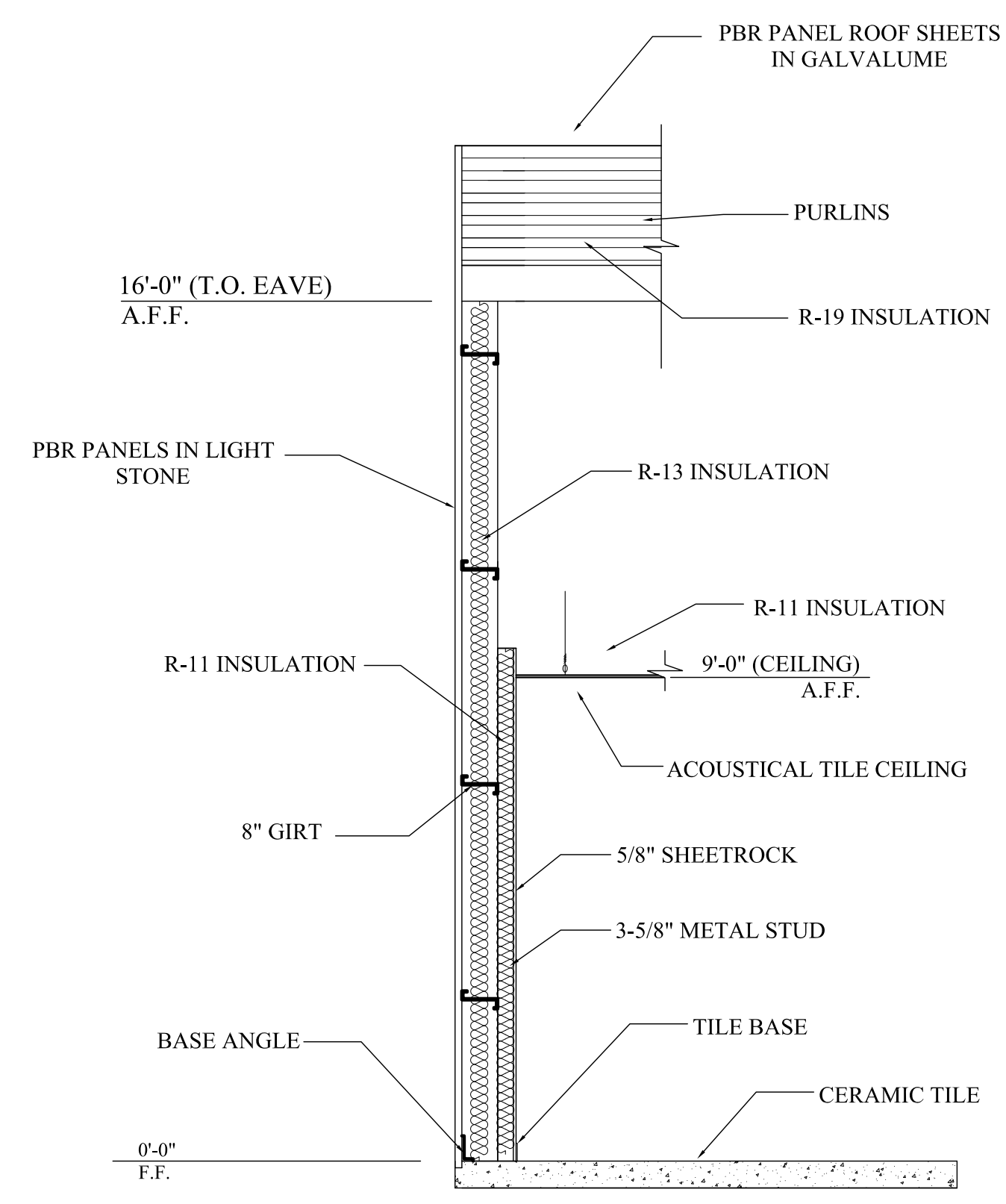
P & H TIRE COMPANY NEW FACILITY
VICTORIA, TEXAS

ISSUE DATE	7-24-2014
DRAWING SCALE	3/8" = 1'-0"
PROJECT NO.	140810
DRAWN BY	LAUGER

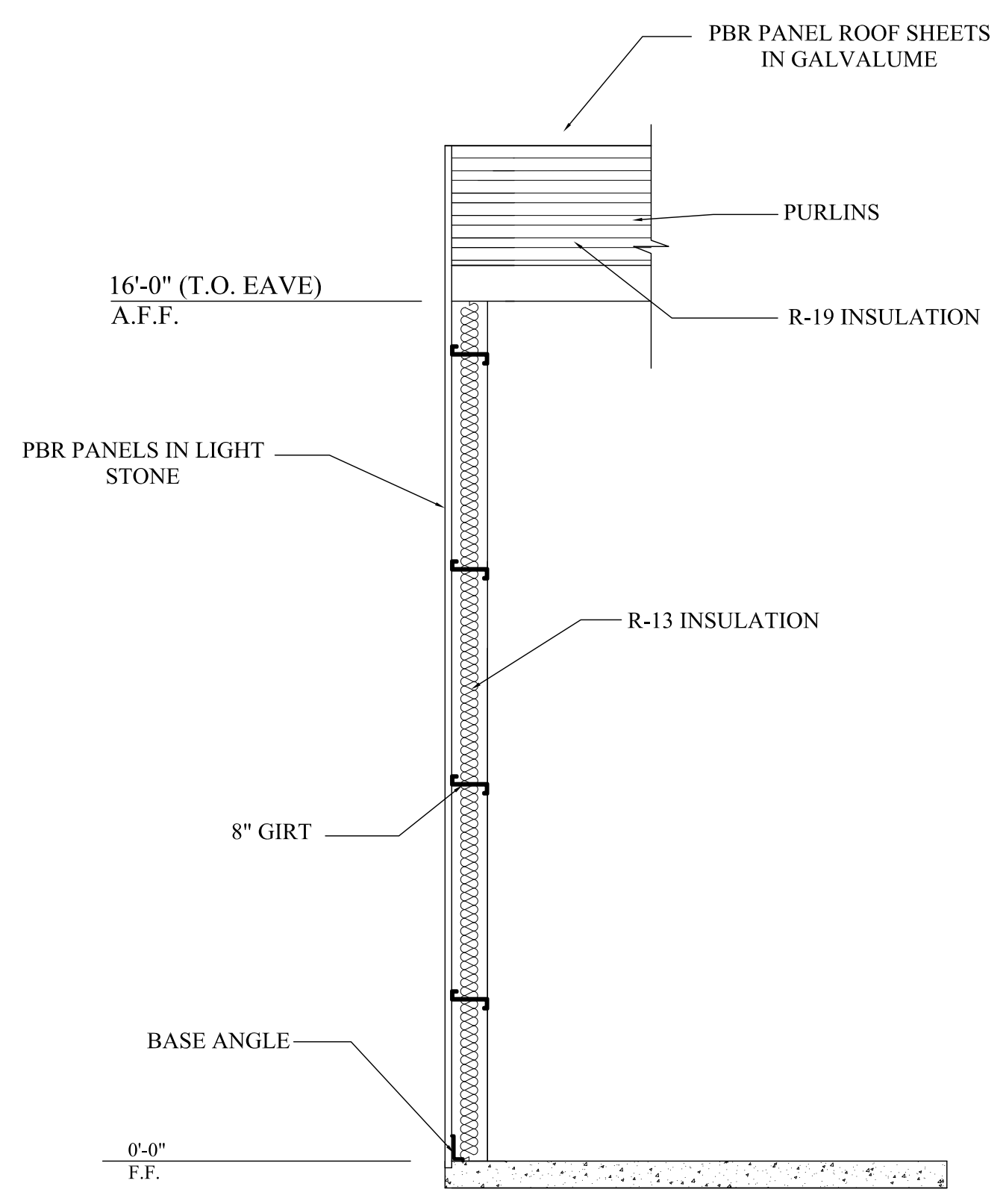
PAGE TITLE
WALL SECTIONS

SHEET

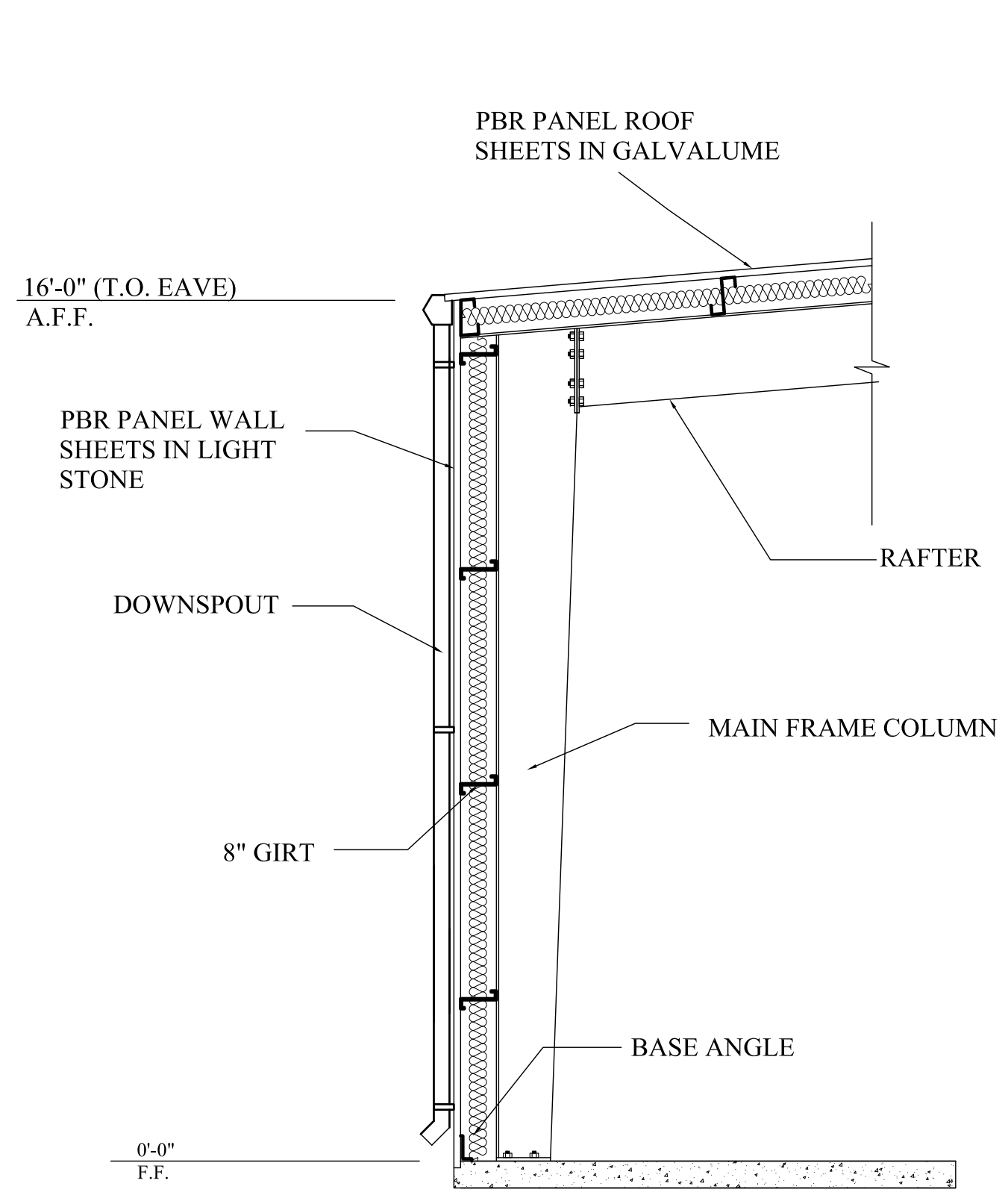
A-1.3



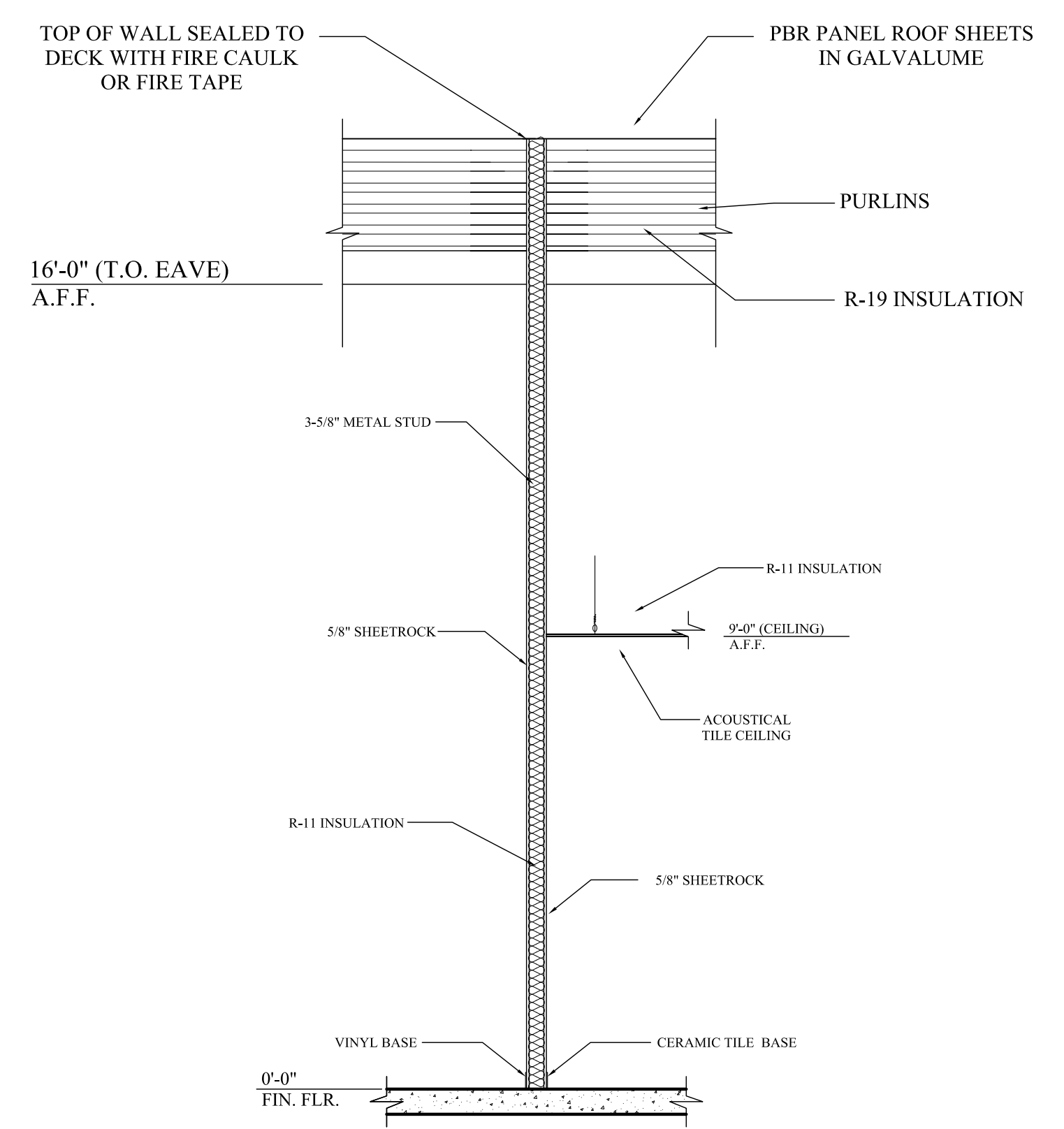
A WALL SECTION
SCALE: 3/8" = 1'-0"



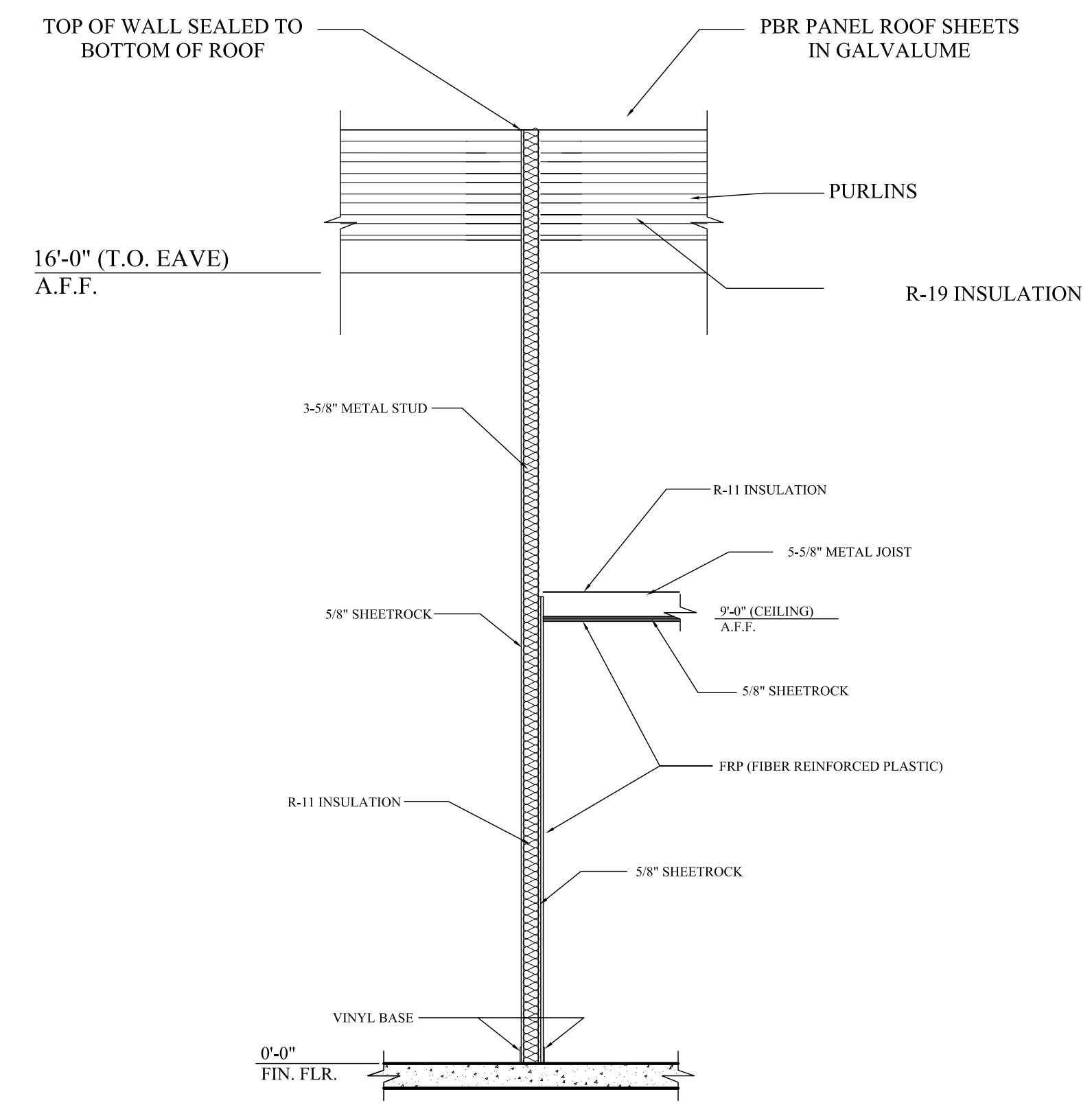
B WALL SECTION
SCALE: 3/8" = 1'-0"



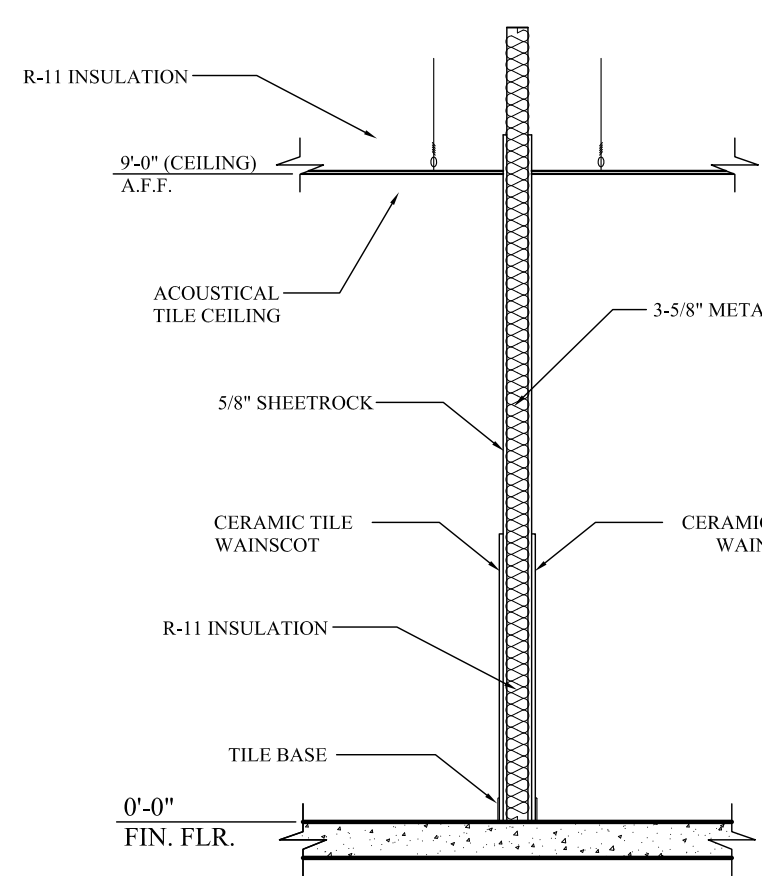
C WALL SECTION
SCALE: 3/8" = 1'-0"



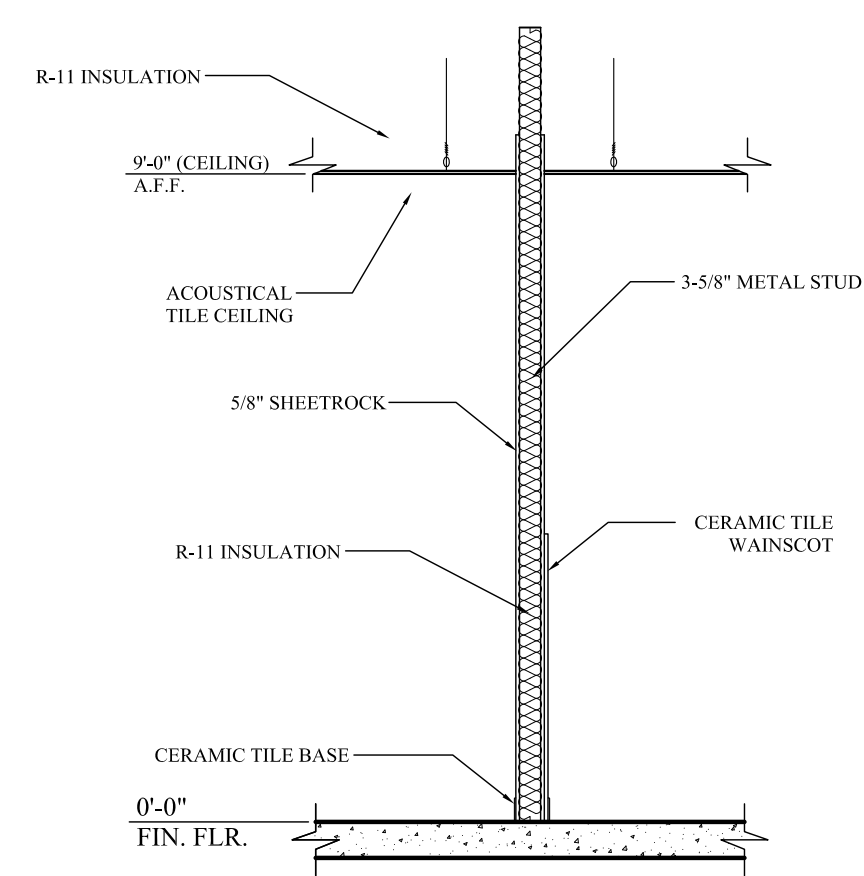
D PARTITION TYPE
SCALE: 3/8" = 1'-0"



E PARTITION TYPE
SCALE: 3/8" = 1'-0"



F PARTITION TYPE
SCALE: 3/8" = 1'-0"



G PARTITION TYPE
SCALE: 3/8" = 1'-0"

NO.	REVISIONS

DESIGN-BUILD CONTRACTOR



LAUGER COMPANY
2000 PORT LAVARDO RD., VICTORIA, TX 77901
TEL: 361.583.1941 FAX: 361.583.1942
WWW.LAUGERCOMPANYSINC.COM

CLIENT

P & H TIRE COMPANY
4101 N. NAVARRO
VICTORIA, TX 77901

P & H TIRE COMPANY NEW FACILITY
VICTORIA, TEXAS

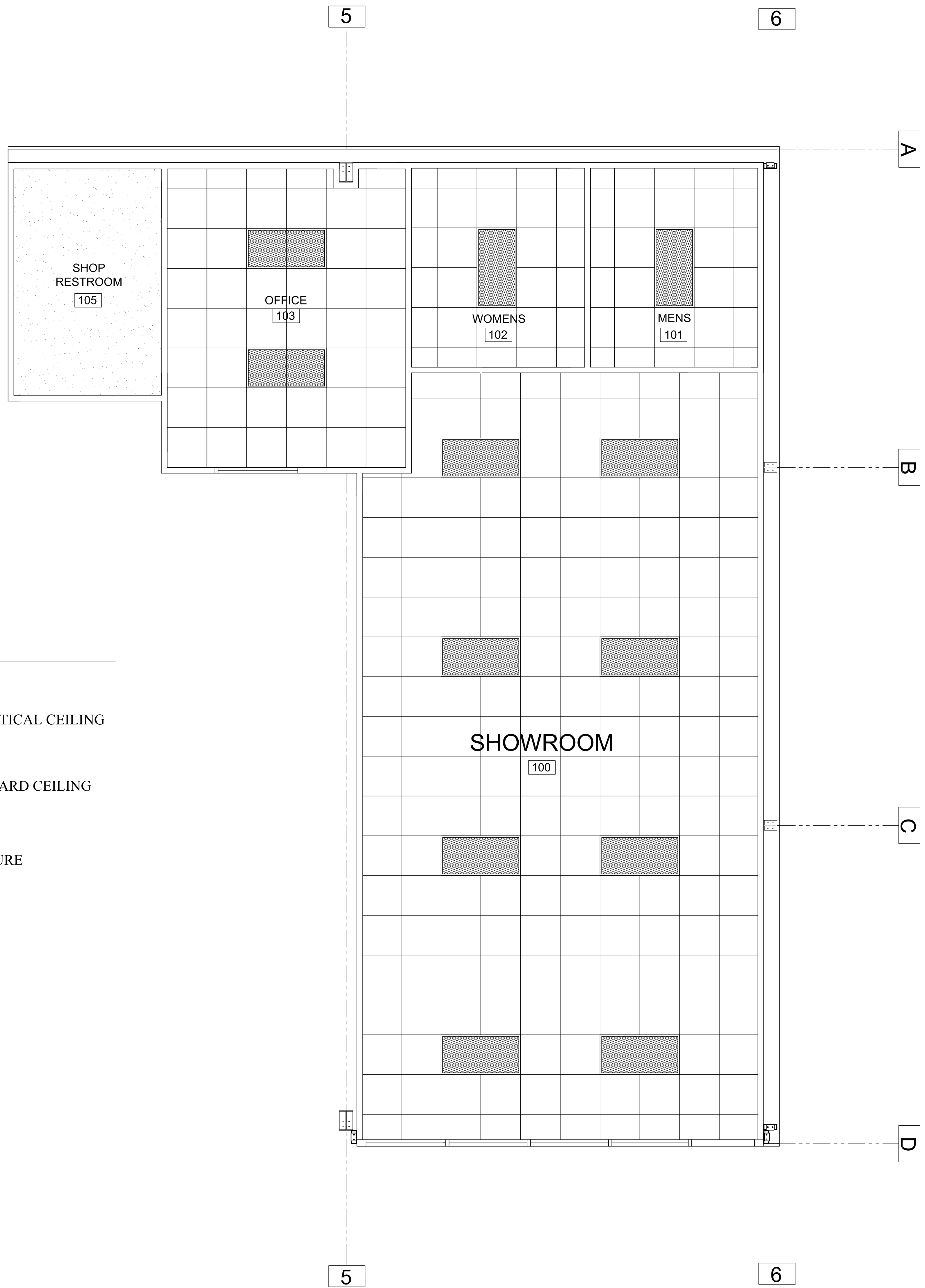
ISSUE DATE	7-24-2014
DRAWING SCALE	NTS
PROJECT NO.	140810
DRAWN BY	LAUGER

PAGE TITLE


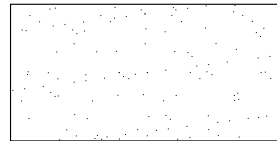
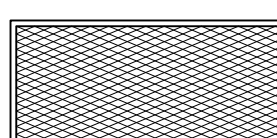
REFLECTIVE CEILING
PLAN

SHEET

A-1.4



RCP LEGEND

-  2 X 2 ACOUSTICAL CEILING
-  GYPSUM BOARD CEILING
-  LIGHT FIXTURE

NO.	REVISIONS

DESIGN-BUILD CONTRACTOR

LAUGER
CONTRACTORS INC. LTD.
 2200 PORT LAVACA HWY • VICTORIA, TX 77901
 (409) 575-1800 FAX (409) 575-1808
 WWW.LAUGERCOMPANIES.COM

CLIENT

P & H TIRE COMPANY
 4101 N. NAVARRO
 VICTORIA, TX 77901

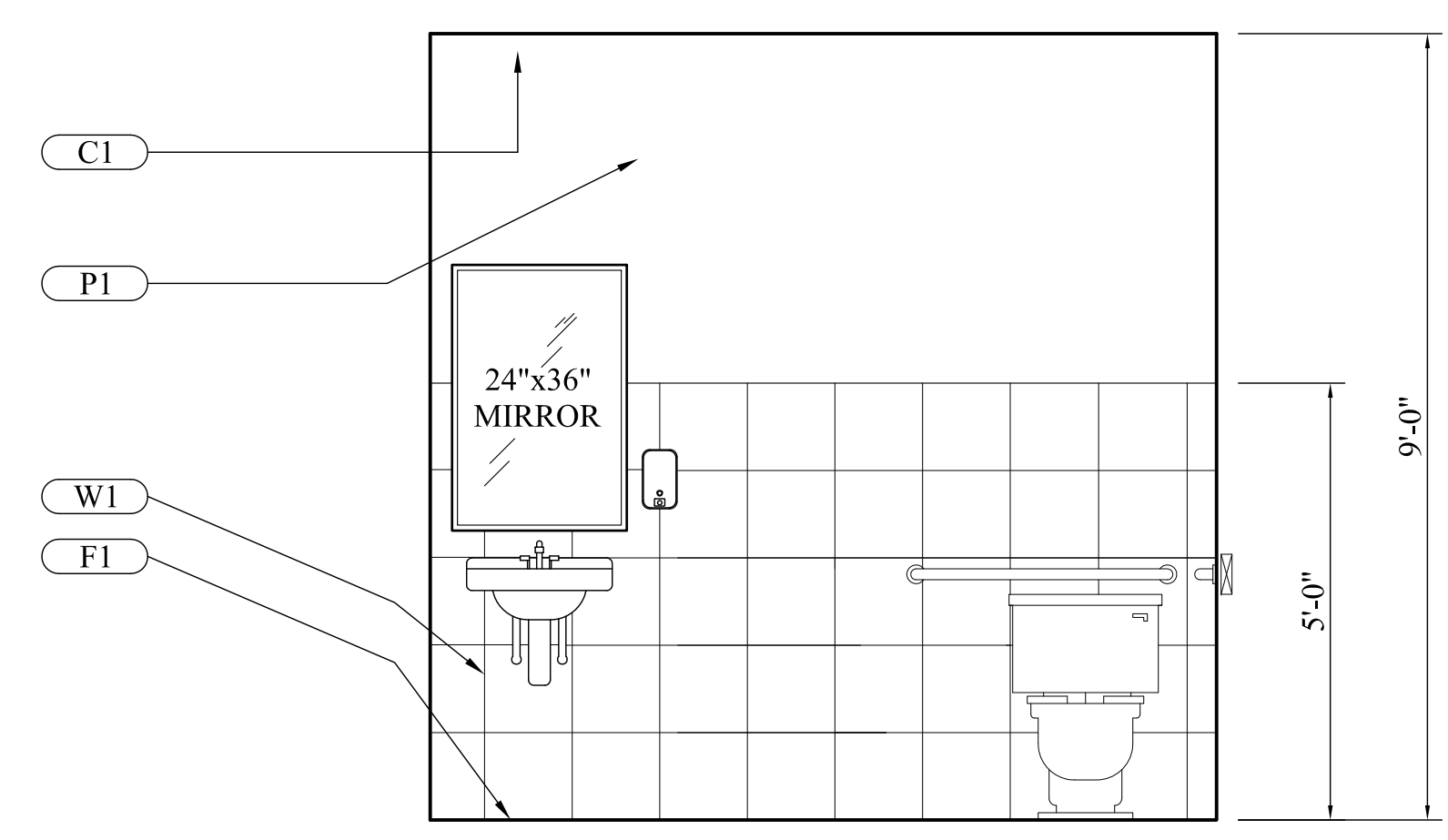
P & H TIRE COMPANY NEW FACILITY
 VICTORIA, TEXAS

ISSUE DATE	7-24-2014
DRAWING SCALE	VARIES
PROJECT NO.	140810
DRAWN BY	LAUGER

PAGE TITLE
 ELEVATIONS / DOORS

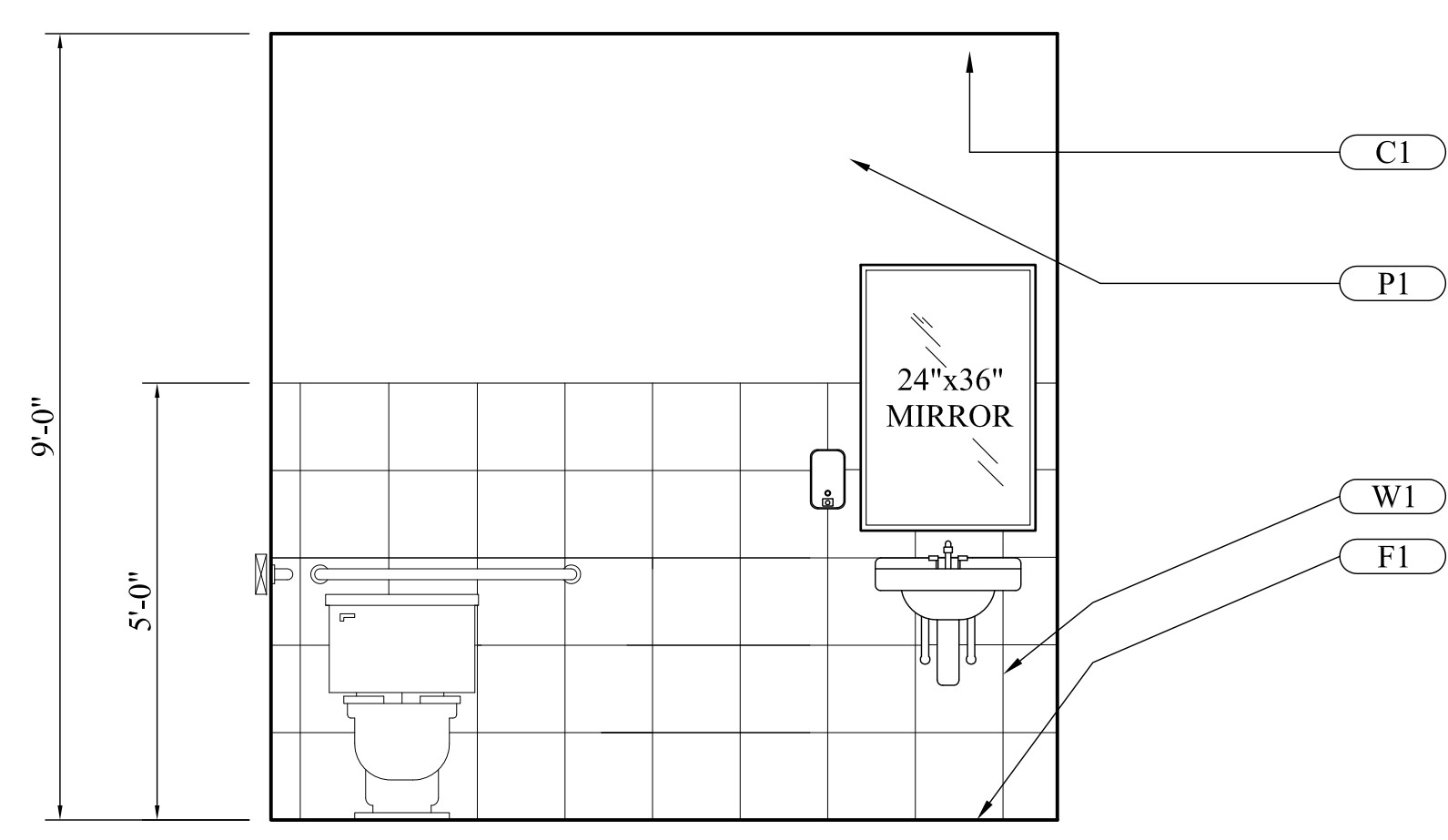
SHEET

A-1.5



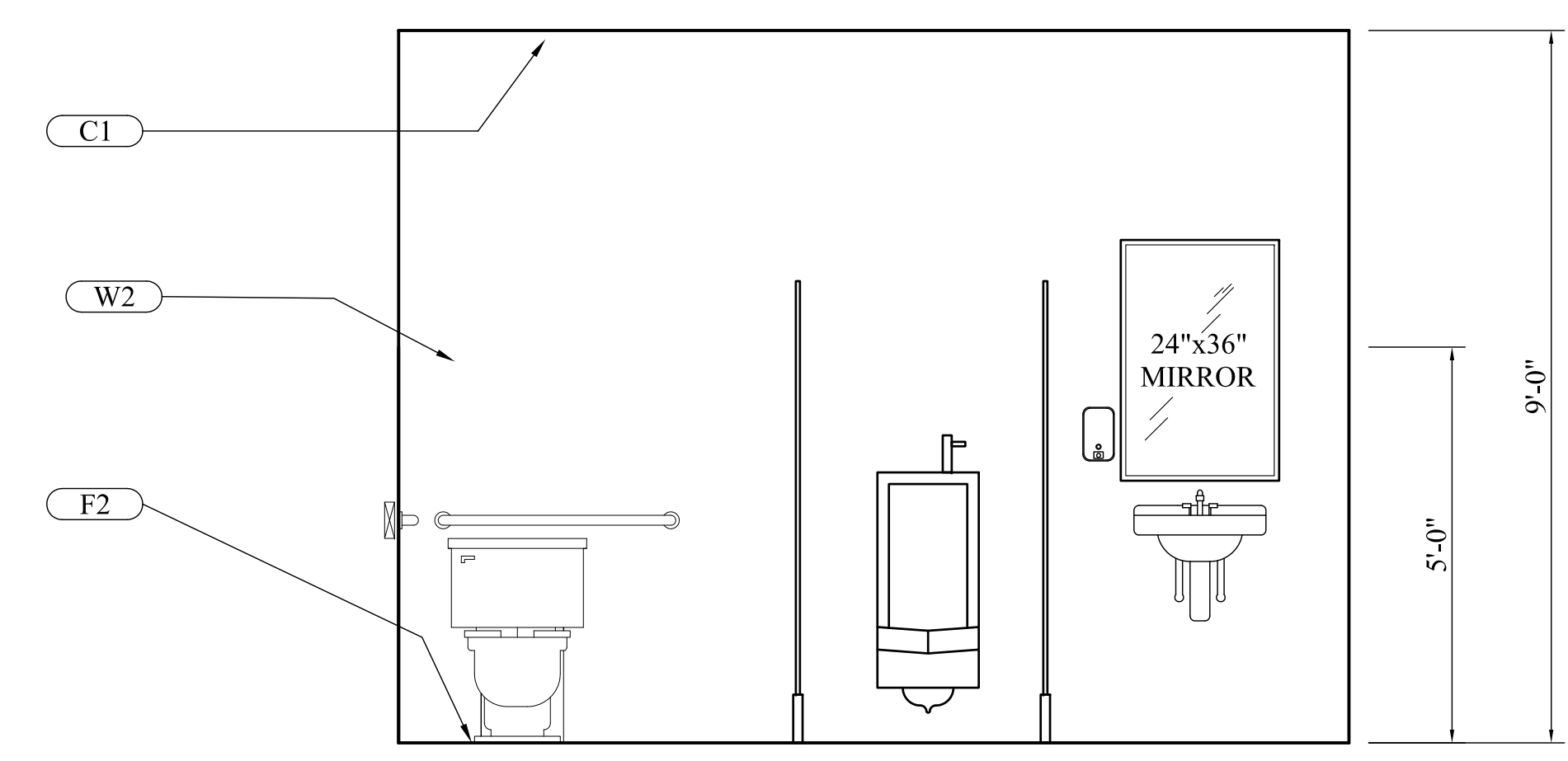
NOTE: SEE AB-1, AB-2 AND AB-3 FOR TYPICAL MOUNTING HEIGHTS

1 MENS 101
 SCALE: 1/2" = 1'-0"



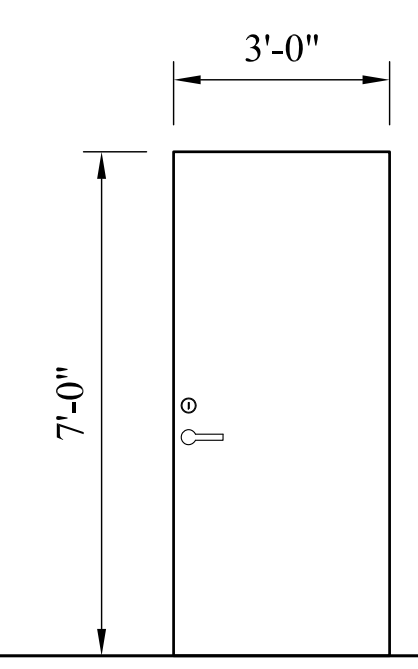
NOTE: SEE AB-1, AB-2 AND AB-3 FOR TYPICAL MOUNTING HEIGHTS

2 WOMENS 101
 SCALE: 1/2" = 1'-0"

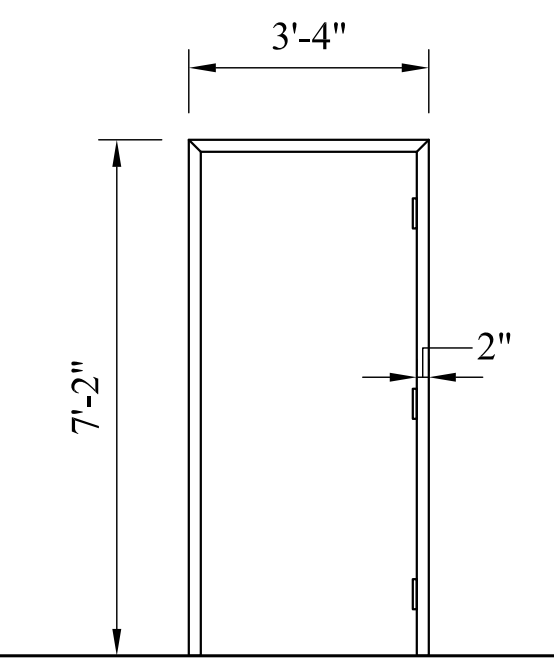
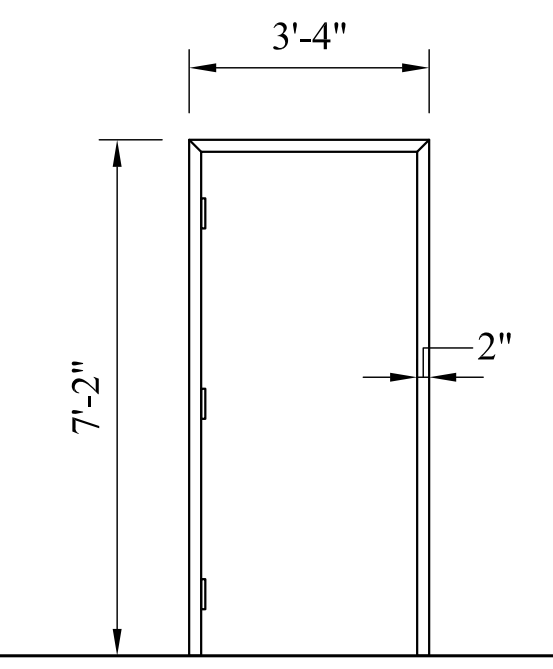
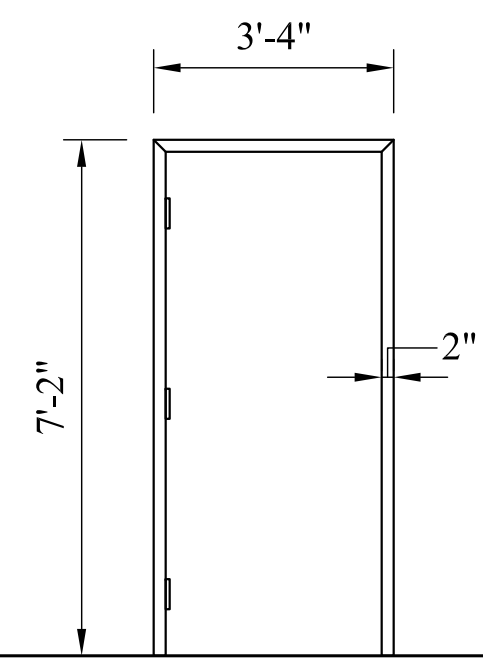
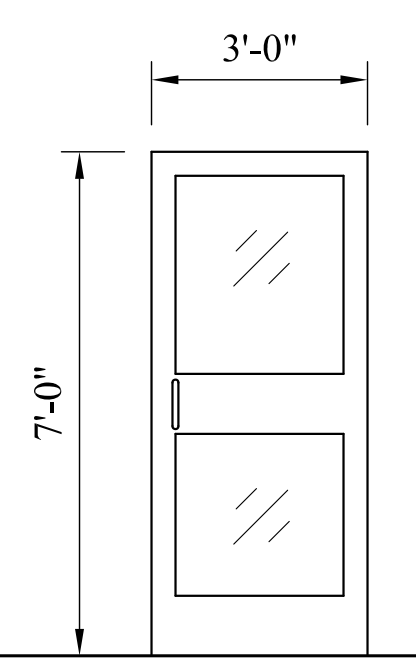
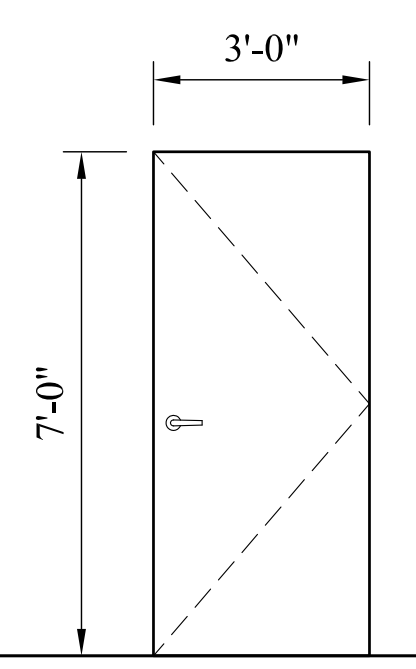


NOTE: SEE AB-1, AB-2 AND AB-3 FOR TYPICAL MOUNTING HEIGHTS

3 SHOP RESTROOM 105
 SCALE: 1/2" = 1'-0"



F.F.



A EXTERIOR HM DOOR BY MBM
 SCALE: 3/8" = 1'-0"

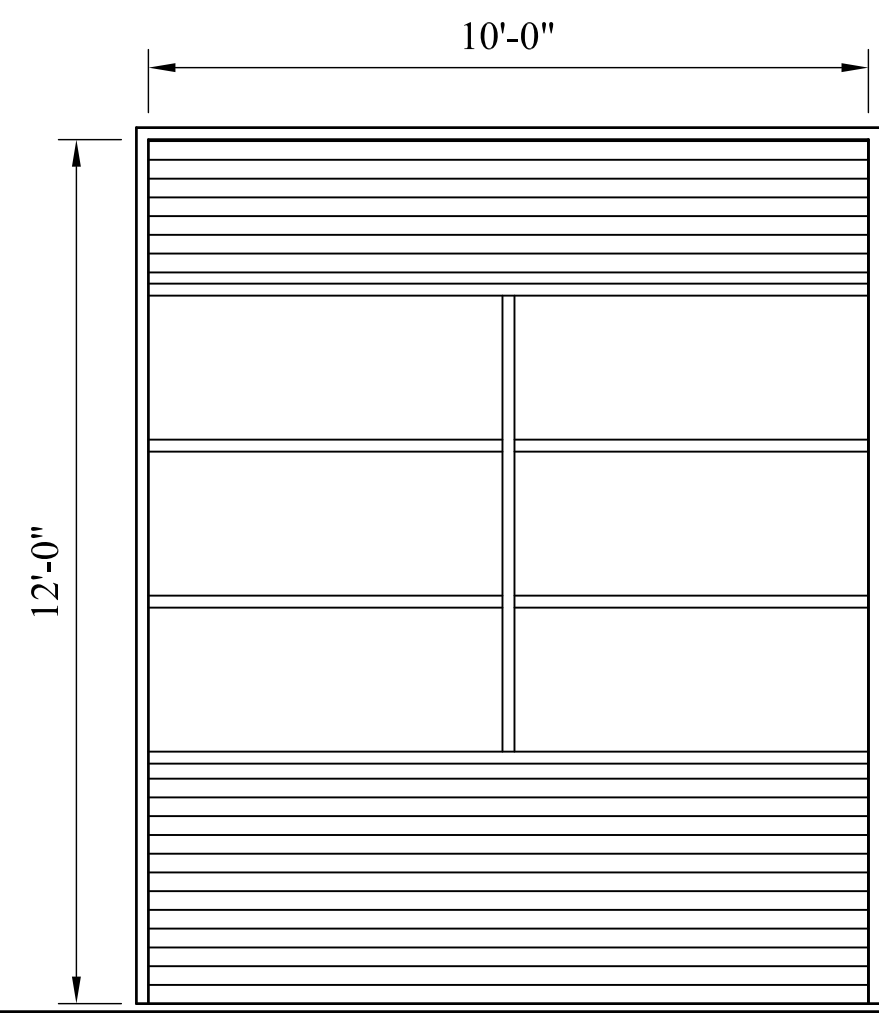
B INTERIOR HM DOOR
 SCALE: 3/8" = 1'-0"

C EXTERIOR STORFRONT DOOR
 SCALE: 3/8" = 1'-0"

F1 HM WELD-UP FRAME
 SCALE: 3/8" = 1'-0"

F2 HM FRAME BY MBM
 SCALE: 3/8" = 1'-0"

F3 ALUM. STOREFRONT FRAME
 SCALE: 3/8" = 1'-0"



D ROLLING OVERHEAD DOOR
SCALE: 1/4" = 1'-0"

ROOM FINISH LEGEND			
WALLS / TRIM		CEILING	
(P1)	WALLS - SHERWIN WILLIAMS: COLOR TBD	(C1)	ARMSTRONG 2X2 CORTEGA WHITE (WH) SQUARE LAY-IN W/ PRELUDE 15/16" EXPOSED TEE GRID - WHITE (WH)
(P2)	HM DOORS - SHERWIN WILLIAMS: COLOR TBD	(C2)	5/8" SHEETROCK
(P3)	HM FRAMES - SHERWIN WILLIAMS: COLOR TBD		
FLOOR		BASE	
(F1)	12" SQUARE CERAMIC TILE: STYLE & COLOR TBD	(B1)	VINYL COVE BASE: COLOR TBD
(F2)	EXPOSED CONCRETE	(B2)	CERAMIC TILE BASE: STYLE & COLOR TBD
WALL TREATMENT		GROUT	
(W1)	12" SQUARE CERAMIC TILE: STYLE & COLOR TBD	(GT1)	GROUT COLOR: TBD
(W2)	FRP: COLOR TBD		
METAL BUILDING EXTERIOR COLOR SELECTIONS BY COMPONENT			
ROOF PANELS	GALVALUME	DOWNSPOUT	LIGHT STONE
WALL PANELS	LIGHT STONE	HEADER TRIM	LIGHT STONE
LINER PANELS	NONE	SILL TRIM	LIGHT STONE
PARTITION PANELS	NONE	JAMB TRIM	LIGHT STONE
RAKE TRIM	BURNISHED SLATE	BASE TRIM	LIGHT STONE
EAVE TRIM	BURNISHED SLATE	CORNER TRIM	LIGHT STONE
GUTTER	BURNISHED SLATE		

HARDWARE SCHEDULE		
SET #1		
Hinges	TBH 30 4.5x4.5 NRP	
Lock	Exterior	
Threshold	410SA 36"	
Sweep	770SAV 72"	
Weatherstrip	870 SAN 36x84	
Closer	300 PBF Cov	
Dead Bolt	ULT 360 Single Cylinder	
SET #2		
Hinges	TBH 30 4.5x4.5	
Lock	Office Function	
Sweep	756SA 36"	
Weatherstrip	870 SAN 36x84	
Closer	300 PBF Cov	
SET #3		
Hinges	TBH 30 4.5x4.5	
Lock	Storage Function	
Sweep	770SAV 72" (2)	
Flush Bolt	282D 1 pair	
SET #4		
Hinges	TBH 30 4.5x4.5	
Lock	Privacy Function	
Sweep	756SA 36"	
Wall Stop	236W	
Closer	300 PBF Cov	

ROOM FINISH SCHEDULE										
ROOM #	ROOM NAME	MATERIAL FLOOR	MATERIAL BASE	WALLS				MATERIAL CEILING	CEILING HEIGHT	SCHEDULE NOTES
				N	E	S	W			
				MATERIAL	MATERIAL	MATERIAL	MATERIAL			
100	SHOWROOM	F1	B2	P1	P1	P1	P1	C1	9'-0"	
101	MENS RESTROOM	F1	B2	W1/P1	W1/P1	W1/P1	W1/P1	C1	9'-0"	
102	WOMENS RESTROOM	F1	B2	W1/P1	W1/P1	W1/P1	W1/P1	C1	9'-0"	
103	OFFICE	F1	B2	P1	P1	P1	P1	C1	9'-0"	
104	SHOP	F2	-	-	-	-	-	OPEN	TO DECK	
105	SHOP RESTROOM	F2	W2	W2	W2	W2	W2	C2	9'-0"	
106	STORAGE	F2	B1	P1	P1	P1	P1	OPEN	TO DECK	

DOOR SCHEDULE								
DOOR #	ROOM #	DOOR				FRAME MAT.	HDWR.	NOTES
		TYPE	HGT.	WDT.	THK.			
100	100	C	7'-0"	3'-0"	1-3/4"	F3	SET #1	
101	102	B	7'-0"	3'-0"	1-3/4"	F1	SET #4	
102	100	B	7'-0"	3'-0"	1-3/4"	F1	SET #4	
103	102	B	7'-0"	3'-0"	1-3/4"	F1	SET #4	
104	102	B	7'-0"	3'-0"	1-3/4"	F1	SET #2	
105	102	B	7'-0"	3'-0"	1-3/4"	F1	SET #4	
106	102	B	7'-0"	3'-0"	1-3/4"	F1	SET #3	
107	103	A	7'-0"	3'-0"	1-3/4"	F2	SET #1	
108	104	A	7'-0"	3'-0"	1-3/4"	F2	SET #1	
109	105	D	10'-0"	12'-0"	NA	NA	NA	ELECT. OPERATOR
110	106	D	10'-0"	12'-0"	NA	NA	NA	ELECT. OPERATOR
111	106	D	10'-0"	12'-0"	NA	NA	NA	ELECT. OPERATOR
112	106	D	10'-0"	12'-0"	NA	NA	NA	ELECT. OPERATOR
113	106	D	10'-0"	12'-0"	NA	NA	NA	ELECT. OPERATOR
114	106	D	10'-0"	12'-0"	NA	NA	NA	ELECT. OPERATOR
115	106	D	10'-0"	12'-0"	NA	NA	NA	ELECT. OPERATOR

REVISIONS

DESIGN-BUILD CONTRACTOR
LAUGER
2000 PORT LAVACA HWY., VICTORIA, TX 77906
(409) 575-2200 FAX (409) 575-2202 FAX
WWW.LAUGERCOMPANIES.COM

CLIENT
P & H TIRE COMPANY
4101 N. NAVARRO
VICTORIA, TX 77901

P & H TIRE COMPANY NEW FACILITY
VICTORIA, TEXAS

ISSUE DATE
7-24-2014
DRAWING SCALE
VARIES
PROJECT NO.
140810
DRAWN BY
LAUGER

PAGE TITLE
ELEVATIONS / DOORS

SHEET
A-1.6