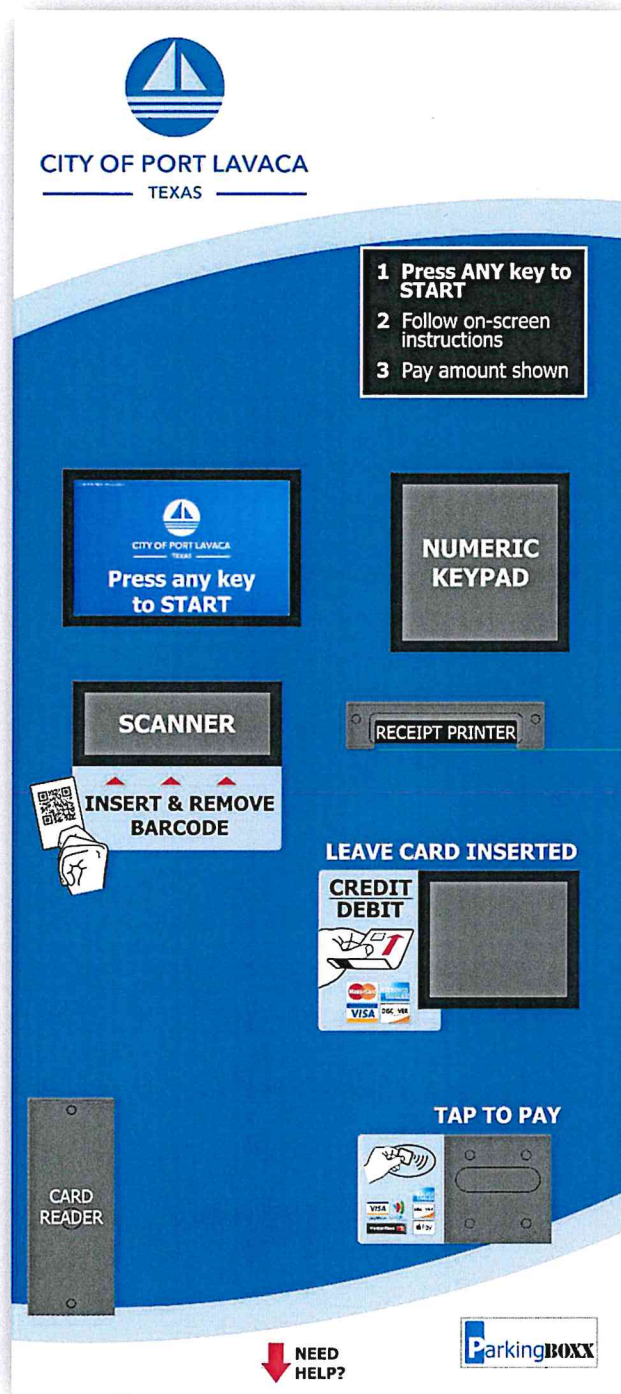


Artwork Proof – Flat-Rate BOXX

(Unofficial logo)



Your Customized Artwork Proof



Parking BOXX Standard Artwork
Note: your machine may not include all features shown in the Standard Artwork.

FLAT-RATE BOXX

Unattended Revenue Control: Credit, Bills, Coins (no change)

Flat-Rate Payment at Entry or Exit

- Manage multiple rate structures & coupons.
- Sunlight readable display offers customizable text, multiple languages, easy navigation & many customizable options.
- Processes real-time payments via End-To-End (E2E) encrypted credit card reader.
- Option to accept payments via bills & coin (no change given).
- Bill & coin vaults have locks to secure in cabinet and a second lock/key to open the vault.
- Coupons allow discounted values via coupon code.
- Illuminated keypad (illumination can be set for specific hours only).
- Prints up to 9,500 receipts per paper roll. Receipt printing may be automatic or optional.
- Continues to operate in off-line mode in case of network loss. Optional credit-card off-line approvals will attempt approval as soon as connection is reestablished (E2E only).
- Audits and self-diagnostic tests.
- UPS backup protects electronics and provides stable current. Stainless steel cabinet is powder coated, multi-point security locks and concealed hinges.
- Slim profile: 11" deep (28cm). Fits on narrow islands.
- Custom branding: corporate colors, logo and customized text.

OPTIONS

- Add a 2D scanner to read QR validation or discount codes on paper or phone screens. Provide parkers with printed coupons or email a QR code for use at payment.
- Upgrade to EMV reader (mag stripe, chip, and tap/NFC)
- Add a 3G/4G Modem and wireless plan.
- Add an intrusion alarm that monitors unauthorized door opening, vibration and tilt sensors.
- Add an intercom (VoIP or analog)
- Add a high-security locking bar.
- Utilize RFID readers (proximity or long range) readers and access cards for employees or tenants.
- Add a custom voice greeting.
- Add security cameras.
- Side Decals.
- Include a thermostatically controlled heater or dehumidifier.



CloudEASE Dashboard

Account Dashboard Logout Settings Search

ParkingBOXX Account Dashboard View All Sites Reports

Account Dashboard 14:55 PM Friday, July 1, 2016

Revenue

Period	Total Paid	Compare to Prior	Coins	Bills	Credit	Coupons	Tax	Total Due ?	Coverage
Today	\$1,000.00	\$1,202.00	\$5.00	\$560.00	\$435.00	\$0.00	\$0.00	\$965.00	\$35.00
Past 7 Days	\$10,819.75	\$8,263.80	\$33.75	\$6,561.00	\$4,225.00	\$0.00	\$0.00	\$10,430.00	\$389.75
Past 30 Days	\$26,827.55	\$22,352.05	\$109.55	\$16,584.20	\$10,113.00	\$0.00	\$0.00	\$25,879.00	\$948.55

Transactions & Occupancy

Period	Transactions	Compare to Prior	Occupancy
Today	151	219	1.59%
Past 7 Days	1,479	1,021	1.57%
Past 30 Days	3,429	2,240	0.90%

Receipt Setup/Preview On-line

Receipts History

Header

Lines before header: ?

Header line 1: ?

Header line 2: ?

Header line 3: ?

Lines after header: ?

Print

Receipt type: ?

Place on dash: ?

Place on dash TEXT: ?

Expiration Time: ?

Expiration Date: ?

License/Space: ?

Extend Time Code: ?

Pay Time & Date: ?

Parking: ?

Coupon Value: ?

Taxes: ?

Total Due: ?

Total Paid: ?

Receipts lines example:

```

Thanks for Parking
with Parking BOXX
Expiration Time/Date:
2:33 PM
SEP 05 2014
SPACE #: 32
EXTEND TIME#: 6586

Pay Time/Date: 11:34 AM SEP 05 2014
Parking: $8.00 Machine: machine01
Coupon: -$1.50 Receipt: 0024019927
Due: $6.50 Exp Type: Credit
Paid: $10.00 Card: MASTERCARD 0542
Auth: 22222

Have a Wonderful Day :)
    
```

Site Map

Account Dashboard Logout Settings Search

ParkingBOXX Account Dashboard View All Sites My Alerts Reports

Account LHM - ABC Parking Company - View All Sites Add New

Sites

Site ID	Site Name	Short Name	Address	Active
33	Site 1	1	1 Main Street, Milton, Ontario, L7T 3Z3	Yes
34	Site 2	2	200 Main St., Milton, Ontario, L7T 3Z3	Yes

Complex Rate Configurations, Update real-time

Rate Details History

Rate Name* ?

Description

Rate Structure*

Max Price ? Leave Blank if no max.

Priority	Rate	Duration	Time Frame	Periods
1	\$3.00	1	Hours	6
2	\$6.00	1	Hours	6

Rate Available Days or Dates - Please Select*

Days

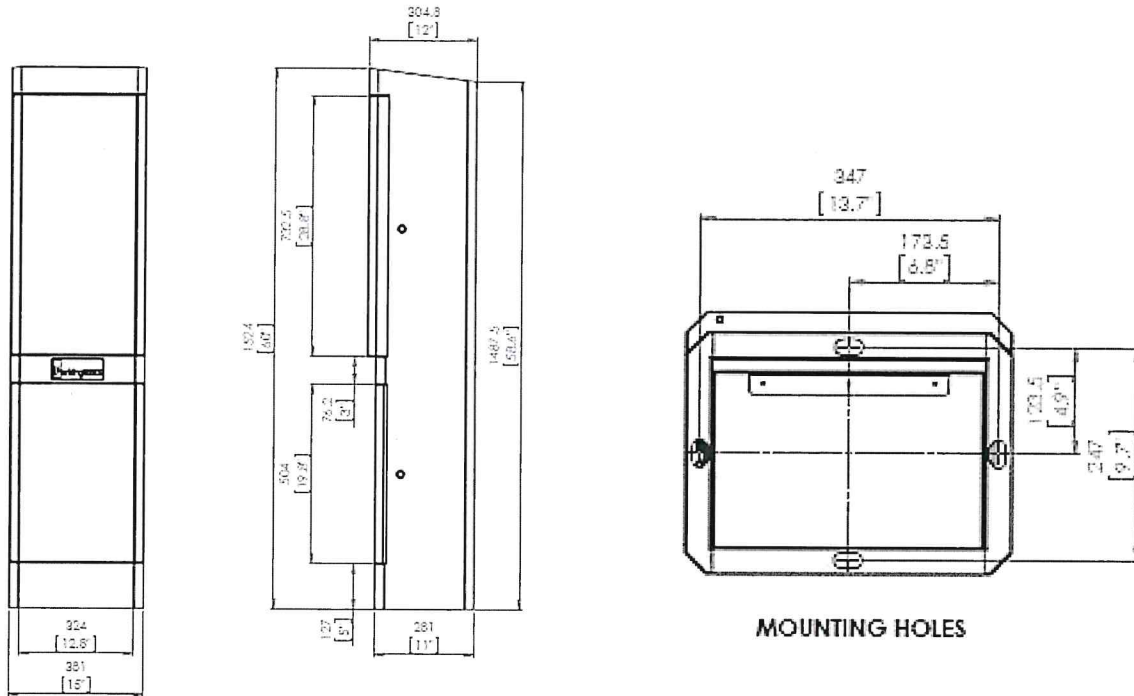
Sun Mon Tues Wed Thu Fri Sat

Dates

Rate Available Times - Please Select:

Start Time End Time

Modular design allow for easy maintenance and component replacement.



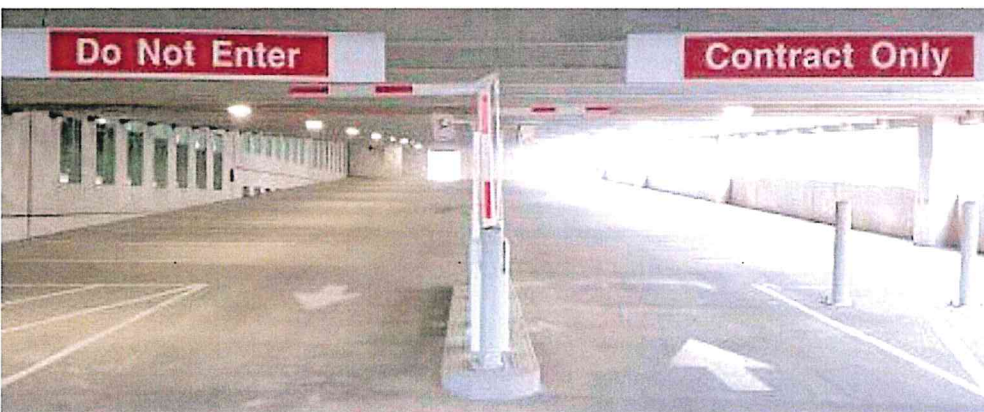
MOUNTING HOLES

Additional models and custom colors are available.

TECHNICAL SPECIFICATIONS

Cabinet Size	60" x 15" x 12" (152.4cm x 38cm x 32.4cm) (l x w x d)
Housing	Stainless steel with powder coating
Locks	Multi-point Drill resistant + coin vault lock & bill vault lock
Operating Temp	32°F to 150°F (-0°C to 65°C). -40°F/C with optional heater
Relative Humidity	97%
Power	120VAC, 60Hz, 5A with backup battery
Weight	225lbs (102kg) without UPS/battery.
Printer	Thermal paper roll, 9,500 tickets max, 7,250 average ticket length
Display	Sunlight readable LCD
Card Reader	Encrypted magnetic card reader
Warranty	1 year parts warranty
Certifications	CSA, PCI, ADA & AODA Compliant

Parking Systems for: Airport, City, Commercial, Education, Healthcare, Hotel, Marina, Office, Retail & More!





Quote PBXQ7918

Prepared For:

City of Port Lavaca Public Works
 202 North Virginia Street
 Port Lavaca, TX 77979
 United States
 Phone: (361) 552-3347
 Email: wshaffer@portlavaca.org

Prepared By:

Parking BOXX
 Phone: 800-518-1230 x2
 Email: proposals@parkingboxx.com
 Website: <https://parkingboxx.com>

Terms

P.O. Number

Ship Via

FREIGHT

Line Item Detail

Qty	Description	Unit Price	Ext. Price
1	FLAT-RATE BOXX: Credit Card Only	\$15,995.00	\$15,995.00
1	CALL FOR ASSISTANCE: VoIP Intercom w/Remote Gate Open (rectangle) (Note: 1 unit required per machine)* [#INT-500]	\$1,195.00	\$1,195.00
2	BARRIER GATE: Straight Arm	\$3,885.00	\$7,770.00
4	BARRIER GATE ARM 12' w/Red Reflective Tape* [#ARM-012]	\$325.00	\$1,300.00
4	SAW CUT LOOP OVERSIZED* [#SCL-610]	\$800.00	\$3,200.00
1	FRB PREPAID 1-YEAR SOFTWARE LICENSE* [#CLD-019]	\$3,000.00	\$3,000.00
1	THERMAL TICKET ROLL CloudEASE GATED (BOX OF 5 ROLLS)(reverse rolled): up to 4000 tickets/receipts per roll* [#PAP-505]	\$315.00	\$315.00
1	DESIGN PLAN/PROJECT MANAGEMENT [#SSS-401]	\$2,500.00	\$2,500.00
1	SYSTEM INSTALLATION & TRAVEL (FRB): Mount & Bolt, Hook Up & Commission (Note: the price is \$3500 plus \$500 per BOXX (FRB, Mini Pay BOXX, Cashier BOXX & ACB), \$250 per Gate & Hotel Pedestal and \$50 per Bollard, to be adjusted at time of invoicing.) [#SSS-515]	\$4,500.00	\$4,500.00
1	CONCIERGE SERVICE (FRB): Installation Techs remain on-site during Go-Live. This service is required to initiate the Remote Support portion of your warranty. Until the Concierge Service has been completed, all Remote Support inquiries will be billable. [#SSS-525]	\$1,500.00	\$1,500.00
1	SYSTEM WARRANTY & TRAINING (FRB): 1 year warranty (see proposal Terms, Fees & Warranty), on-site hardware training & on-line software training, plus unlimited software training during warranty period. [#SSS-715]	\$750.00	\$750.00

Parking BOXX reserves the right to cancel orders arising from errors, inaccuracies or omissions. Product shipped as ordered - ensure correct part numbers, products and compatibility. Orders sent FOB Milton, ON or Sarnia, ON, collect or on account via the courier specified above, if any. If a Lift Gate is required on the delivery truck, please add \$200 to any quoted Freight & Handling charge. Customer is responsible to provide all applicable civil work (including concrete, 120V electrical with 20Amps per lane, network/Ethernet, data communication, phone lines, saw cut loops) and associated permits as required, unless otherwise agreed in a separate Civil Work Agreement. Delivery & Schedule are subject to Parking BOXX's approval of Customer's site readiness photos showing completed civil work. This quote is subject to the Terms of Sale at parkingboxx.com/terms and the attached Terms, Fees & Warranty. Prices quoted are in effect for 30 days unless otherwise stated.

Line Item Detail

Qty	Description	Unit Price	Ext. Price
1	FREIGHT & HANDLING: For transportation within the continental US & Canada, the fee will be \$1000 plus \$250 per BOXX (Flat-Rate BOXX, Mini Pay BOXX, Cashier BOXX & Access Control BOXX), Gate or Hotel Pedestal and \$25 per Bollard, to be adjusted at time of invoicing. Additional transit to destinations outside the continental US & Canada are the Customer's responsibility (both cost & coordination). [#FREIGHT FRB]	\$1,750.00	\$1,750.00



Best Price Guarantee

If you have an apples-to-apples quote lower than our Total System Price, **Parking BOXX** will **beat it by 10%**! Buy direct from the Manufacturer & SAVE.

SubTotal	\$42,275.00
Tax	\$0.00
Total	\$42,275.00

Parking BOXX reserves the right to cancel orders arising from errors, inaccuracies or omissions. Product shipped as ordered - ensure correct part numbers, products and compatibility. Orders sent FOB Milton, ON or Sarnia, ON, collect or on account via the courier specified above, if any. If a Lift Gate is required on the delivery truck, please add \$200 to any quoted Freight & Handling charge. Customer is responsible to provide all applicable civil work (including concrete, 120V electrical with 20Amps per lane, network/Ethernet, data communication, phone lines, saw cut loops) and associated permits as required, unless otherwise agreed in a separate Civil Work Agreement. Delivery & Schedule are subject to Parking BOXX's approval of Customer's site readiness photos showing completed civil work. This quote is subject to the Terms of Sale at parkingboxx.com/terms and the attached Terms, Fees & Warranty. Prices quoted are in effect for 30 days unless otherwise stated.